



US00D665755S

(12) **United States Design Patent**  
**Sasada et al.**

(10) **Patent No.:** **US D665,755 S**

(45) **Date of Patent:** **\*\* Aug. 21, 2012**

(54) **ELECTRICAL CONNECTOR**

(75) Inventors: **Kosuke Sasada**, Yao (JP); **Hayato Kondo**, Yao (JP)

(73) Assignee: **Hosiden Corporation**, Yao-shi (JP)

(\*\*) Term: **14 Years**

(21) Appl. No.: **29/418,156**

(22) Filed: **Apr. 12, 2012**

**Related U.S. Application Data**

(62) Division of application No. 29/412,815, filed on Feb. 8, 2012.

**Foreign Application Priority Data**

Aug. 31, 2011 (JP) ..... 2011-019701  
Aug. 31, 2011 (JP) ..... 2011-019702

(51) **LOC (9) Cl.** ..... **13-03**

(52) **U.S. Cl.** ..... **D13/147**

(58) **Field of Classification Search** ..... D13/147,  
D13/154, 184, 199; 439/64, 79, 159-160,  
439/330-331, 341-342, 629, 630, 636, 660,  
439/607.1, 607.4, 607.5, 607.17, 607.25,  
439/607.34, 607.41, 607.53, 862, 884, 946  
See application file for complete search history.

(56) **References Cited**

**U.S. PATENT DOCUMENTS**

D499,731 S 12/2004 Fan  
D520,453 S \* 5/2006 Yoneyama et al. .... D13/147  
D520,957 S 5/2006 Chang et al.  
D566,655 S 4/2008 Chen et al.

D580,363 S 11/2008 Hung  
D583,767 S \* 12/2008 Chiang ..... D13/147  
D591,684 S 5/2009 Watanabe  
D592,144 S \* 5/2009 Lai et al. .... D13/147  
D602,875 S 10/2009 Huang  
D627,736 S 11/2010 Gao et al.  
D644,997 S 9/2011 Su et al.  
D648,681 S 11/2011 Huang  
D648,682 S 11/2011 Huang

\* cited by examiner

*Primary Examiner* — Daniel Bui

(74) *Attorney, Agent, or Firm* — Rankin, Hill & Clark LLP

(57) **CLAIM**

The ornamental design for an electrical connector, as shown and described.

**DESCRIPTION**

FIG. 1 is a front, right side and top perspective view of an electrical connector in accordance with our new design;  
FIG. 2 is a front, right side and bottom perspective view of the electrical connector in accordance with our new design;  
FIG. 3 is a front elevation view of the electrical connector in accordance with our new design;  
FIG. 4 is a rear elevation view of the electrical connector in accordance with our new design;  
FIG. 5 is a left side view of the electrical connector in accordance with our new design, a right side view being a mirror image thereof;  
FIG. 6 is a sectional view taken along a line 6-6 in FIG. 3 of the electrical connector in accordance with our new design;  
FIG. 7 is a top plan view of the electrical connector in accordance with our new design; and,  
FIG. 8 is a bottom plan view of the electrical connector in accordance with our new design.

**1 Claim, 3 Drawing Sheets**

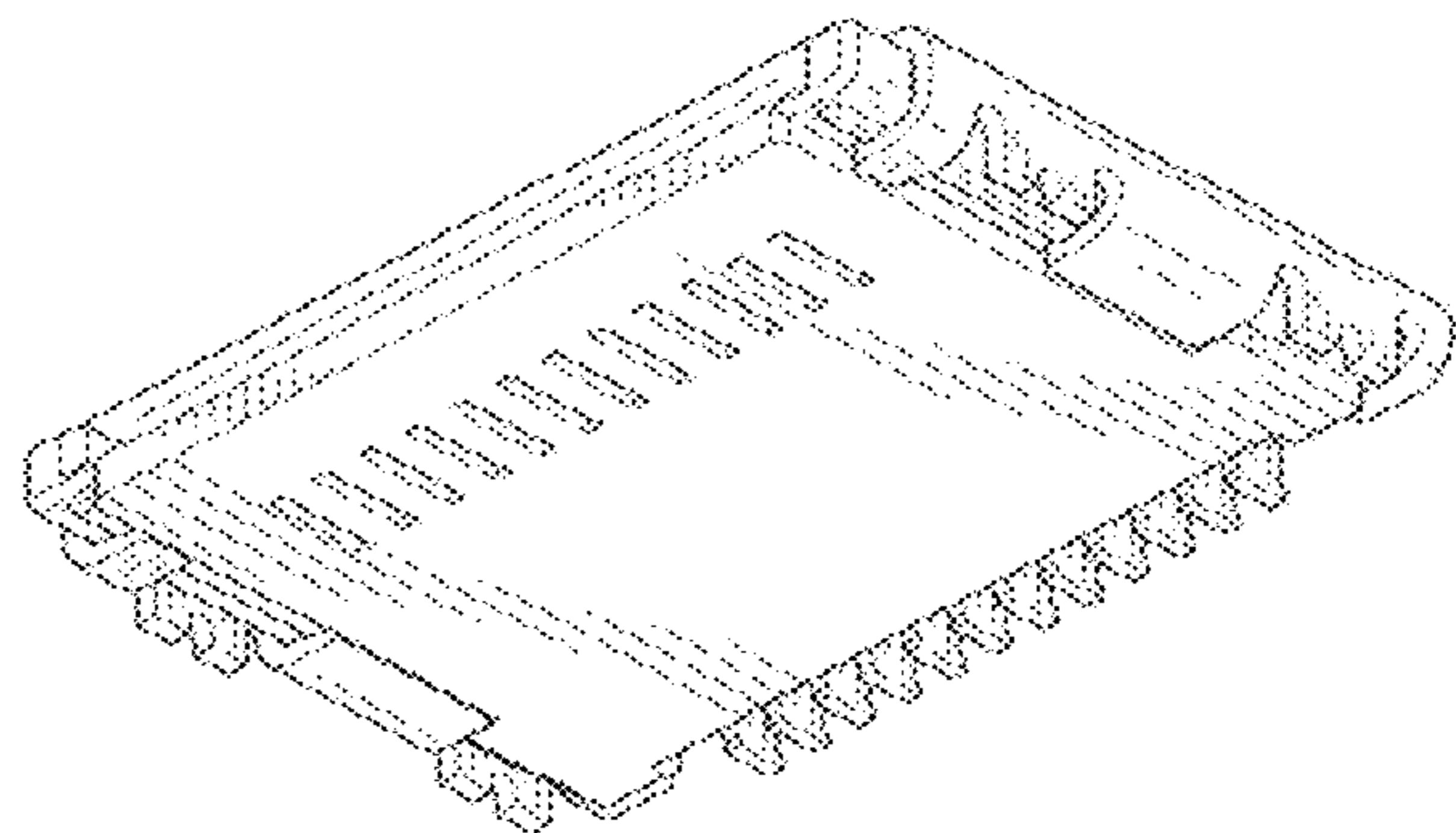
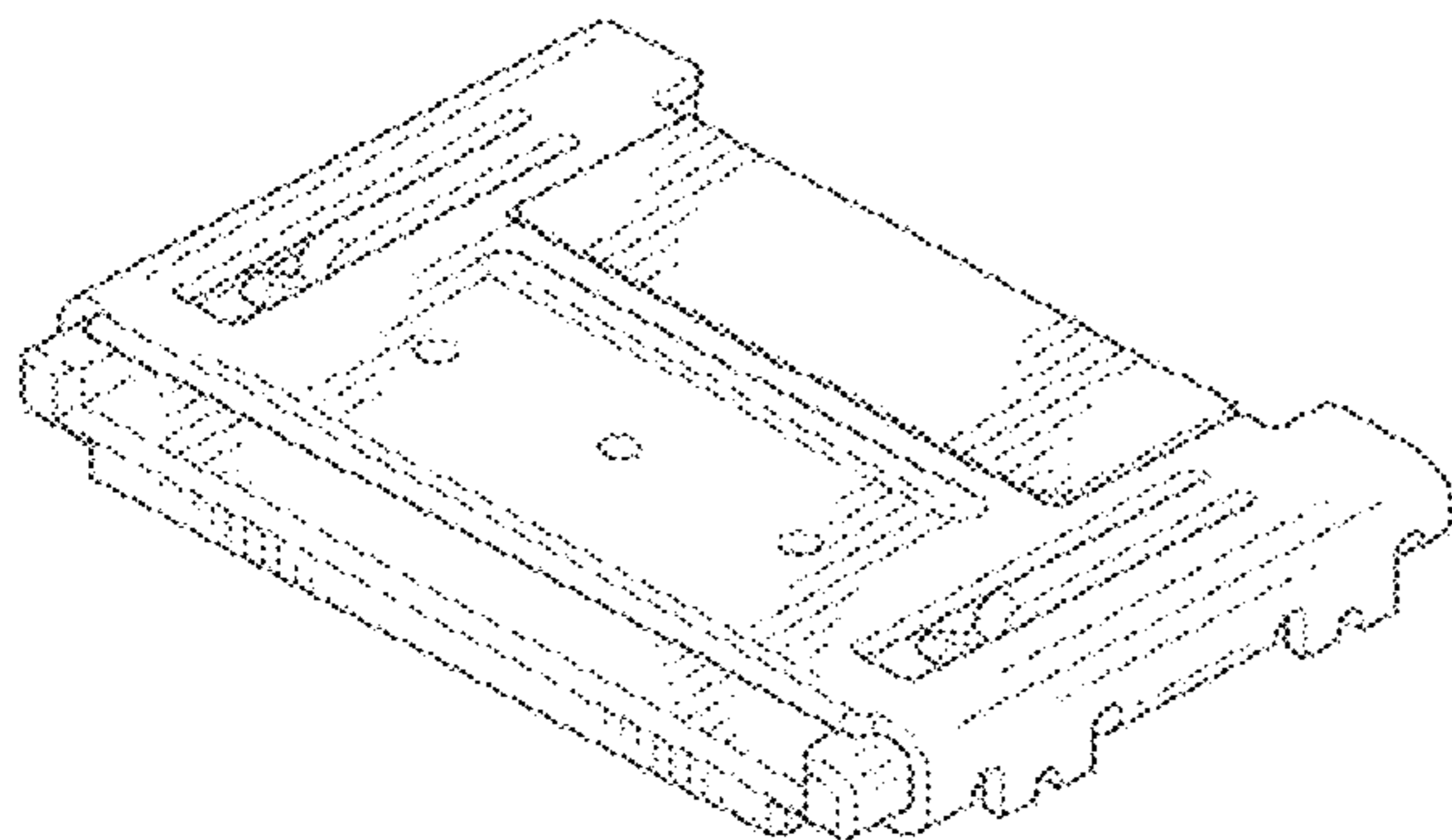


Fig. 1

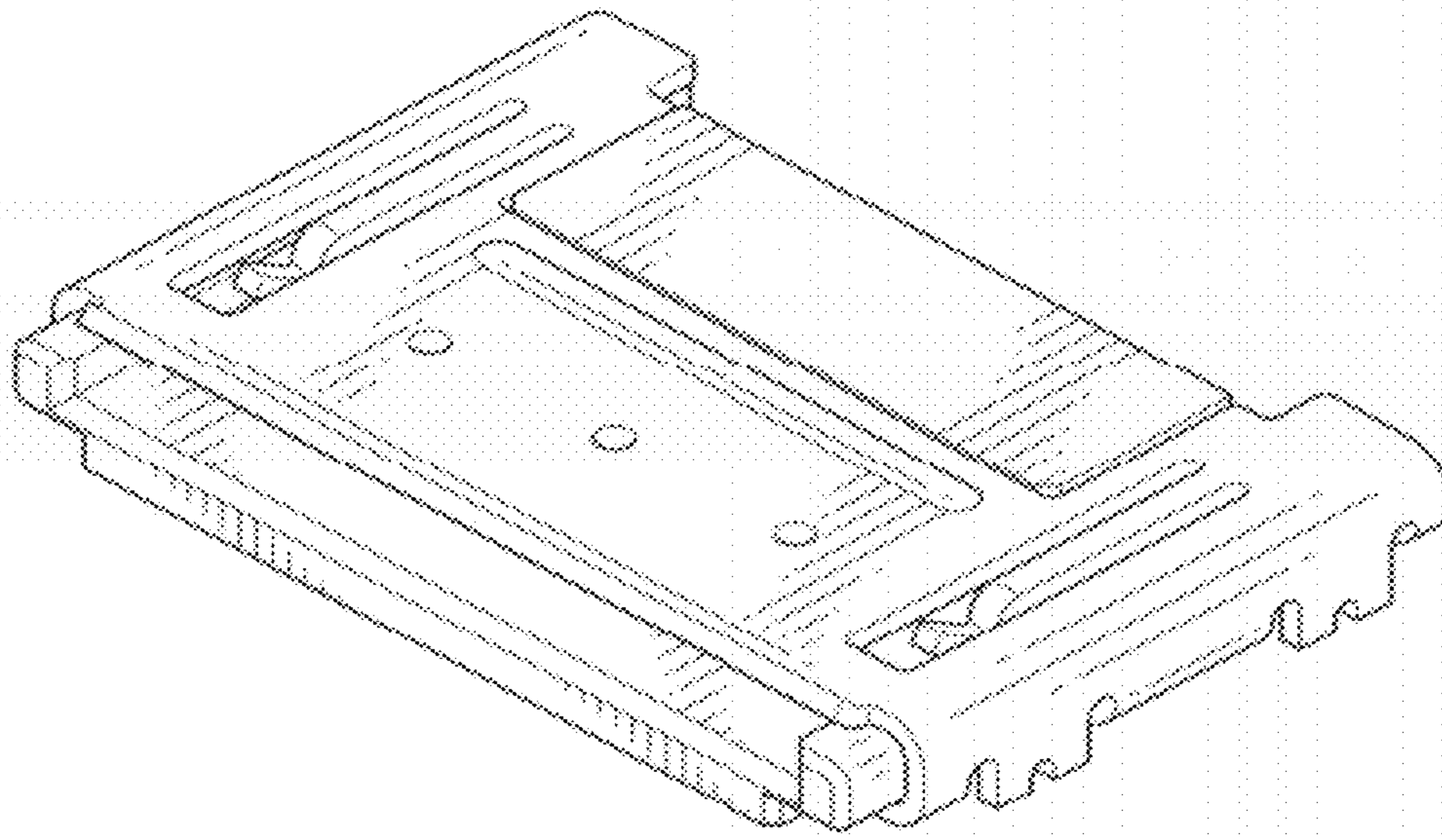


Fig. 2

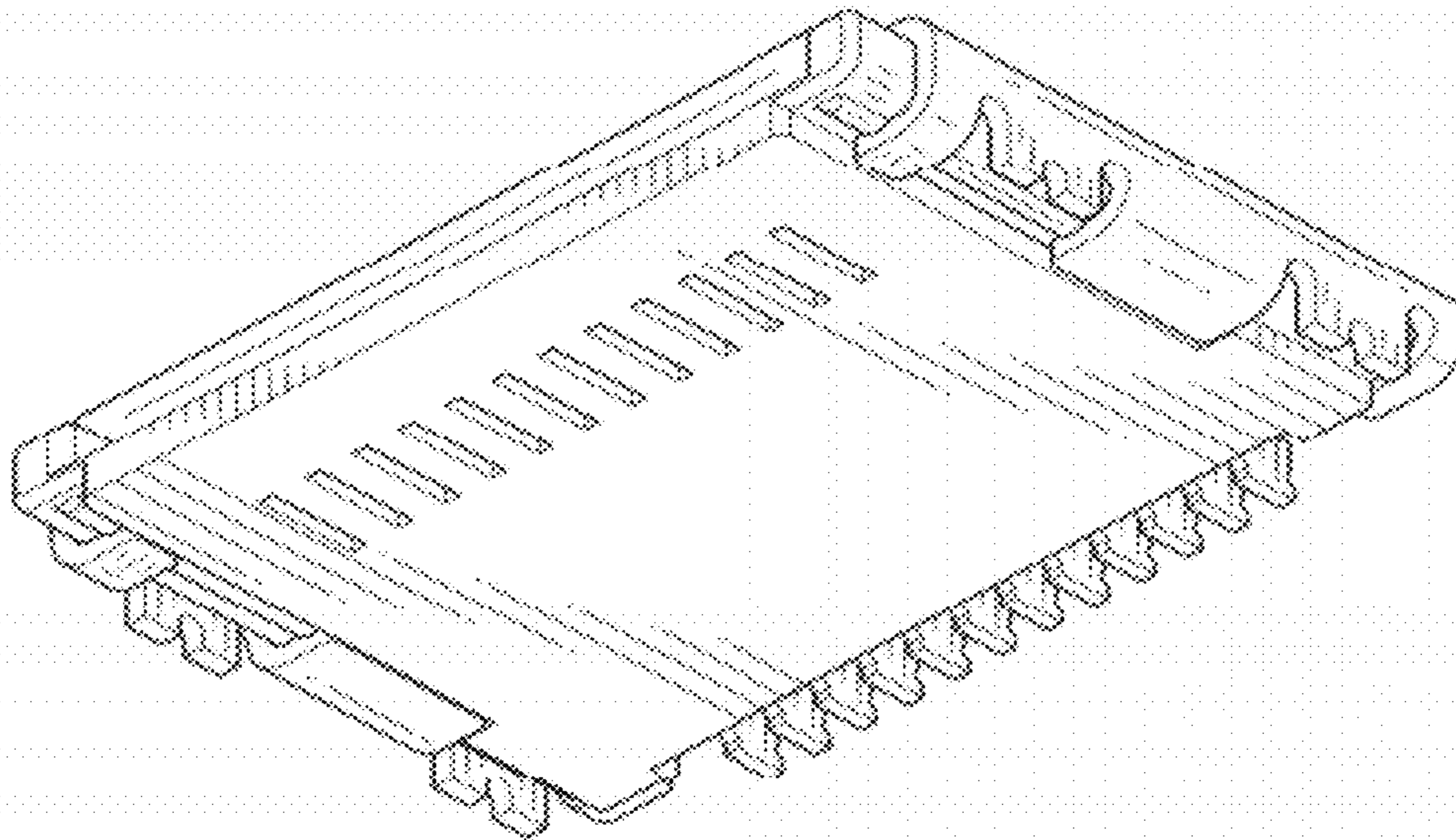




Fig. 3

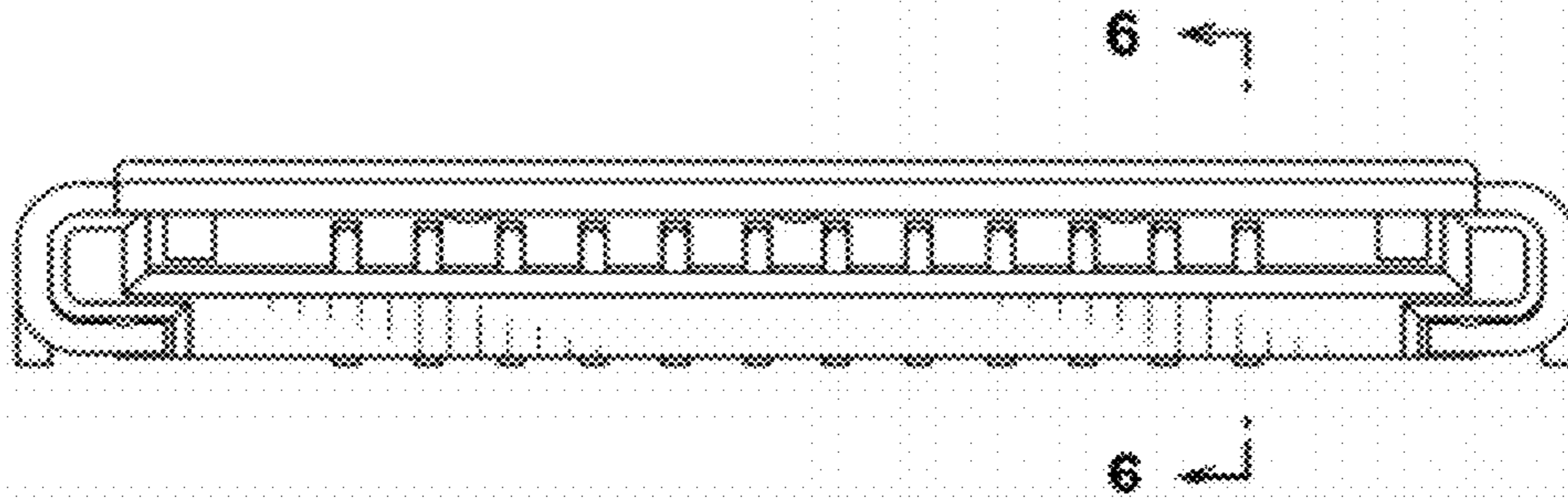


Fig. 4

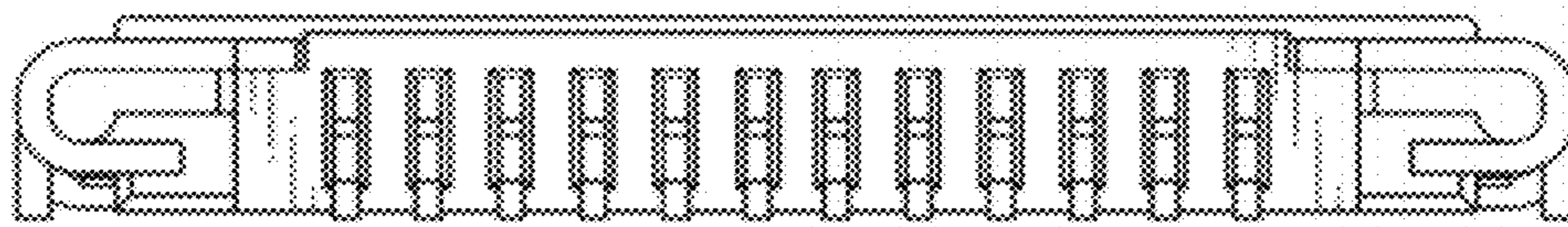


Fig. 5

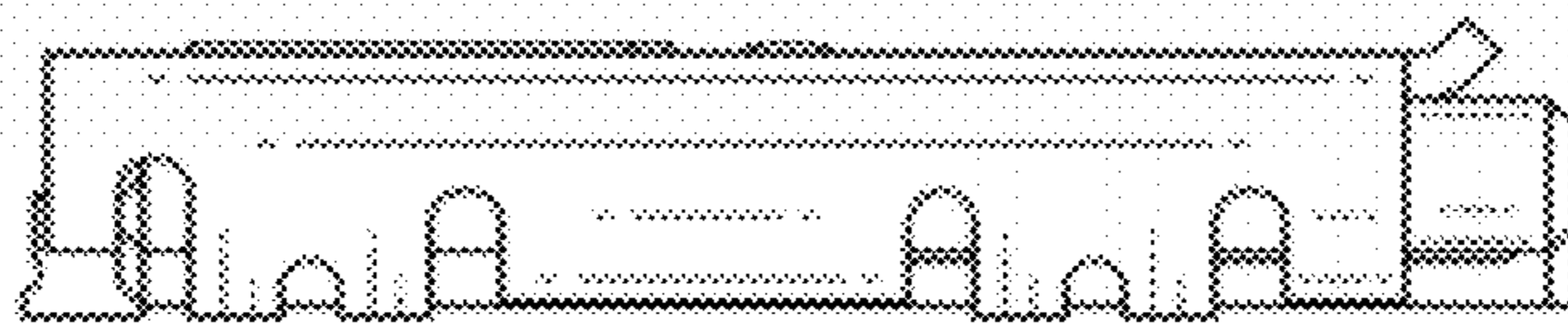


Fig. 6

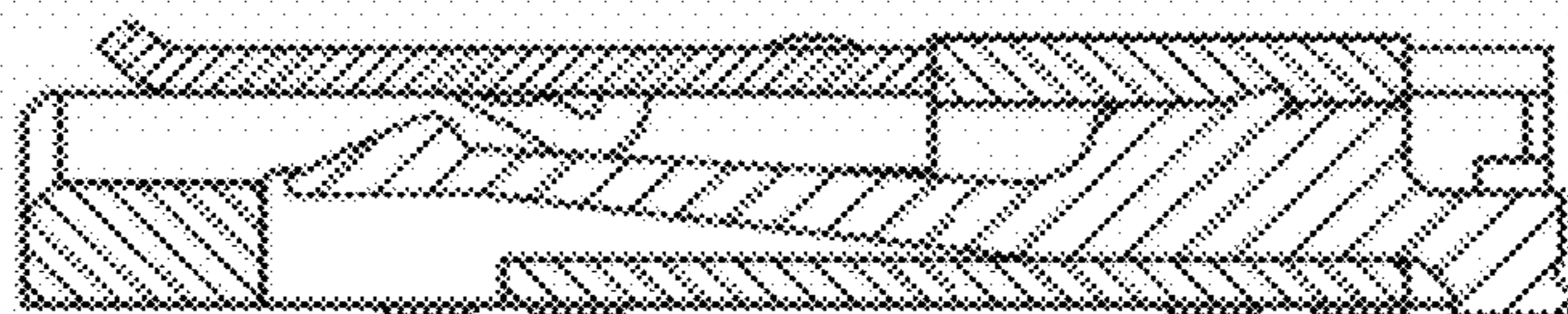


Fig. 7

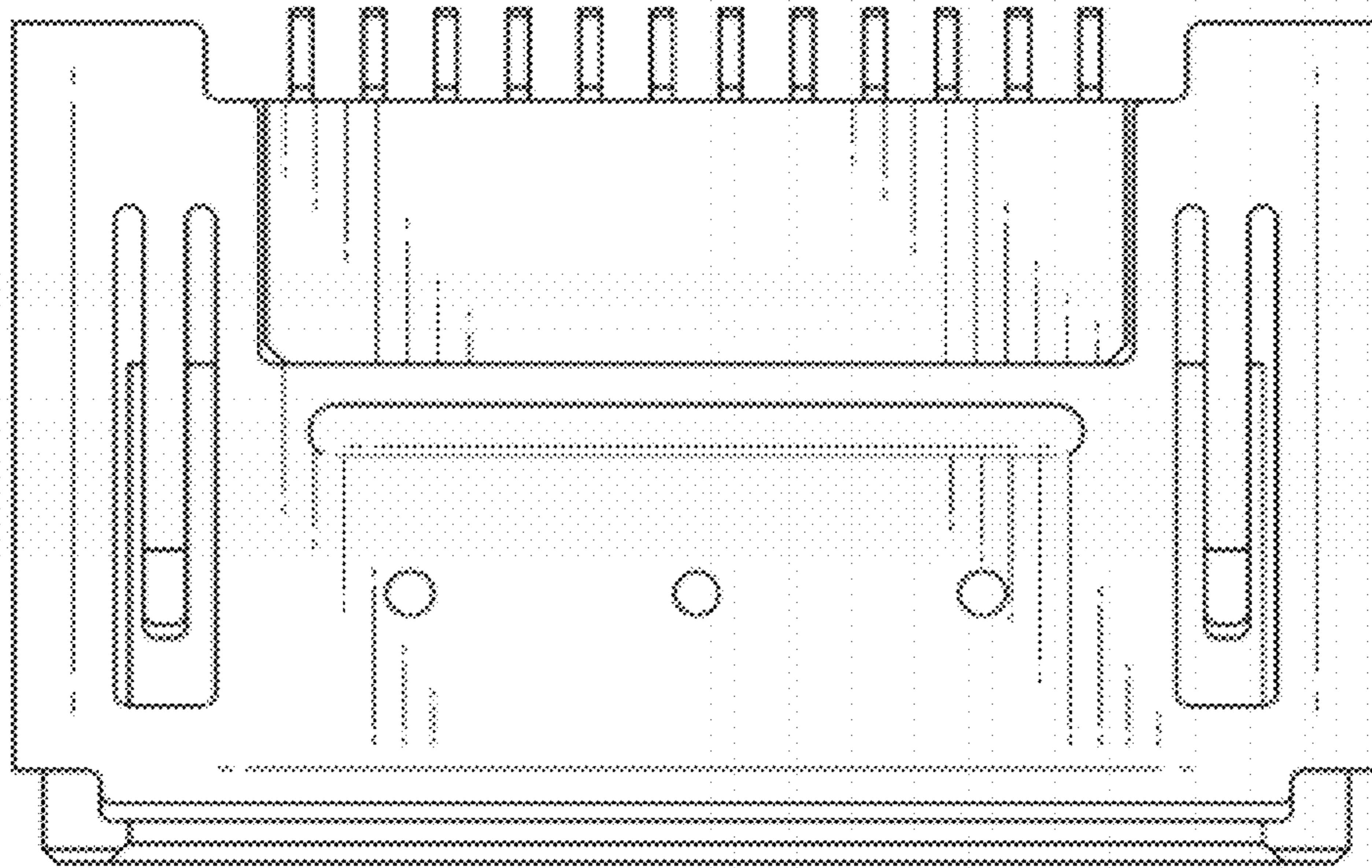


Fig. 8

