



US00D665753S

(12) **United States Design Patent**
Cobbett et al.

(10) **Patent No.:** **US D665,753 S**

(45) **Date of Patent:** **** Aug. 21, 2012**

(54) **ELECTRONIC CONNECTOR**

(75) Inventors: **Jamian R. Cobbett**, Portland, OR (US);
Kyle Schepke, Portland, OR (US)

(73) Assignee: **NIKE, Inc.**, Beaverton, OR (US)

(**) Term: **14 Years**

(21) Appl. No.: **29/411,253**

(22) Filed: **Jan. 18, 2012**

(51) **LOC (9) Cl.** **13-03**

(52) **U.S. Cl.** **D13/147**

(58) **Field of Classification Search** D13/101,
D13/103, 107, 108, 110, 118, 119, 120, 133,
D13/146, 147, 154, 155, 184, 199; D14/142,
D14/217, 238.1, 251, 253, 356, 357, 358,
D14/432, 433, 434, 435, 435.1, 436, 437,
D14/438, 447, 451, 457; 439/109, 152-153,
439/160, 162-164, 180, 189, 246, 266-267,
439/278, 374, 377, 476.1, 480, 483, 501,
439/504, 527-528, 533, 569, 865-868, 883-884,
439/892, 894, 901, 929, 946, 948

See application file for complete search history.

(56) **References Cited**

U.S. PATENT DOCUMENTS

D248,465 S * 7/1978 Roberts et al. D13/147
D345,686 S 4/1994 Boehner
6,097,605 A * 8/2000 Klatt et al. 361/737
D435,016 S * 12/2000 Huang et al. D13/147
D445,797 S 7/2001 Lee et al.
D452,244 S 12/2001 Wallace et al.
D452,245 S 12/2001 Wallace et al.
D452,246 S 12/2001 Wallace et al.
D461,814 S * 8/2002 Felix et al. D14/434
D487,747 S 3/2004 Yu et al.
6,994,568 B2 * 2/2006 Huang et al. 439/76.1

D524,817 S 7/2006 Conley et al.
D530,282 S * 10/2006 Sukegawa et al. D13/147
7,354,312 B2 * 4/2008 Chuang 439/630
D574,835 S 8/2008 Ho
D596,573 S 7/2009 Lai et al.
D640,699 S * 6/2011 McParland D14/434
D647,858 S 11/2011 Huang et al.
D656,139 S 3/2012 Schlosstein
D656,140 S 3/2012 Schlosstein
D656,141 S 3/2012 Schlosstein
D656,142 S 3/2012 Schlosstein
D656,143 S 3/2012 Schlosstein
D656,144 S 3/2012 Schlosstein
D656,148 S 3/2012 Schlosstein
D658,128 S * 4/2012 Xie et al. D13/146
D658,665 S * 5/2012 Akana et al. D14/480.1
D659,150 S * 5/2012 Andre D14/480.7

* cited by examiner

Primary Examiner — Daniel Bui

(74) *Attorney, Agent, or Firm* — Banner & Witcoff, Ltd.

(57) **CLAIM**

The ornamental design for an electronic connector, as shown and described.

DESCRIPTION

FIG. 1 is a front perspective view of an electronic connector showing my/our new design;

FIG. 2 is a top view thereof;

FIG. 3 is a bottom view thereof;

FIG. 4 is a right side view thereof;

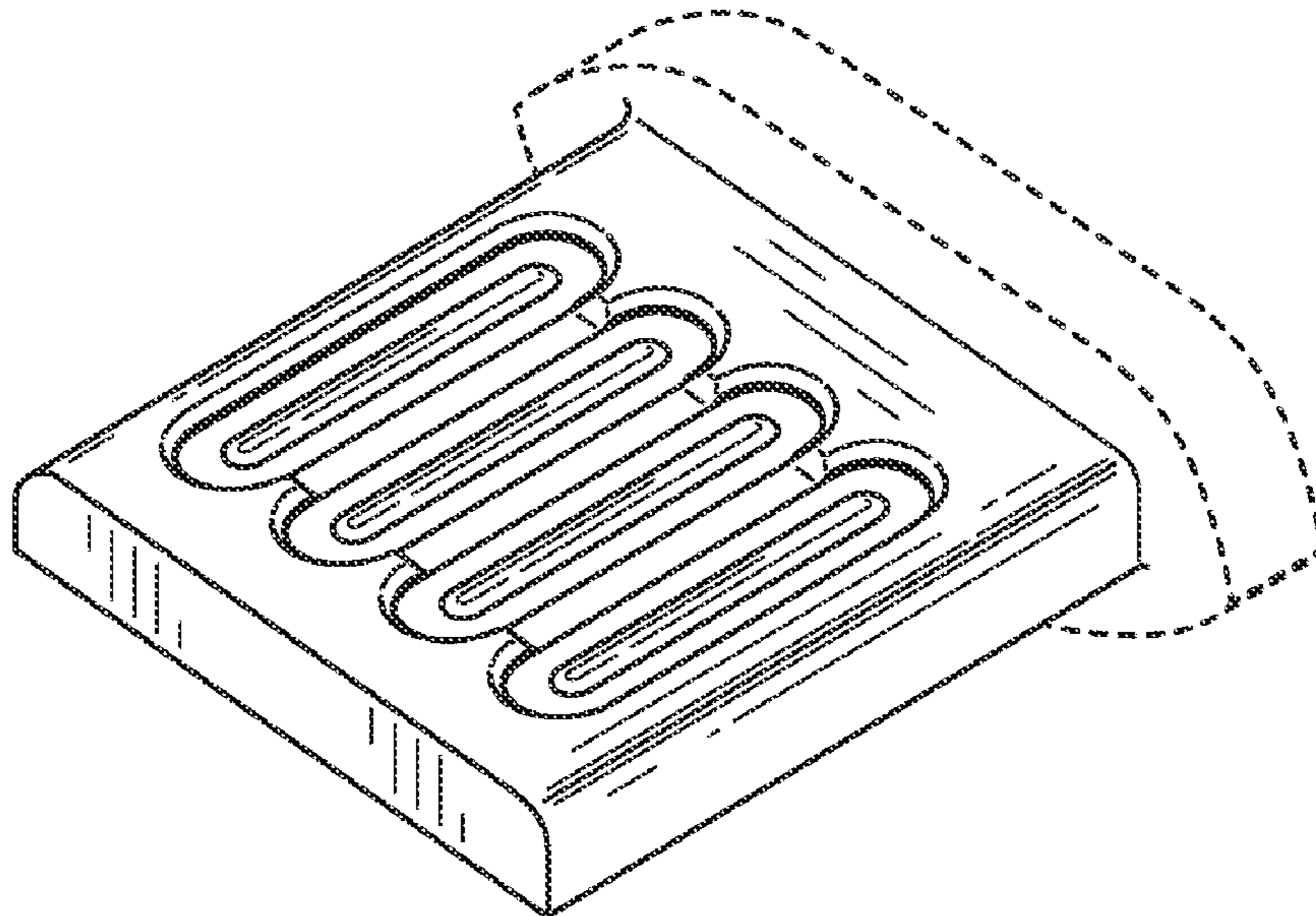
FIG. 5 is a left side view thereof;

FIG. 6 is a front view thereof; and,

FIG. 7 is a rear view thereof.

The broken lines showing the remainder of the electronic connector are for environmental purposes only and form no part of the claimed design.

1 Claim, 3 Drawing Sheets



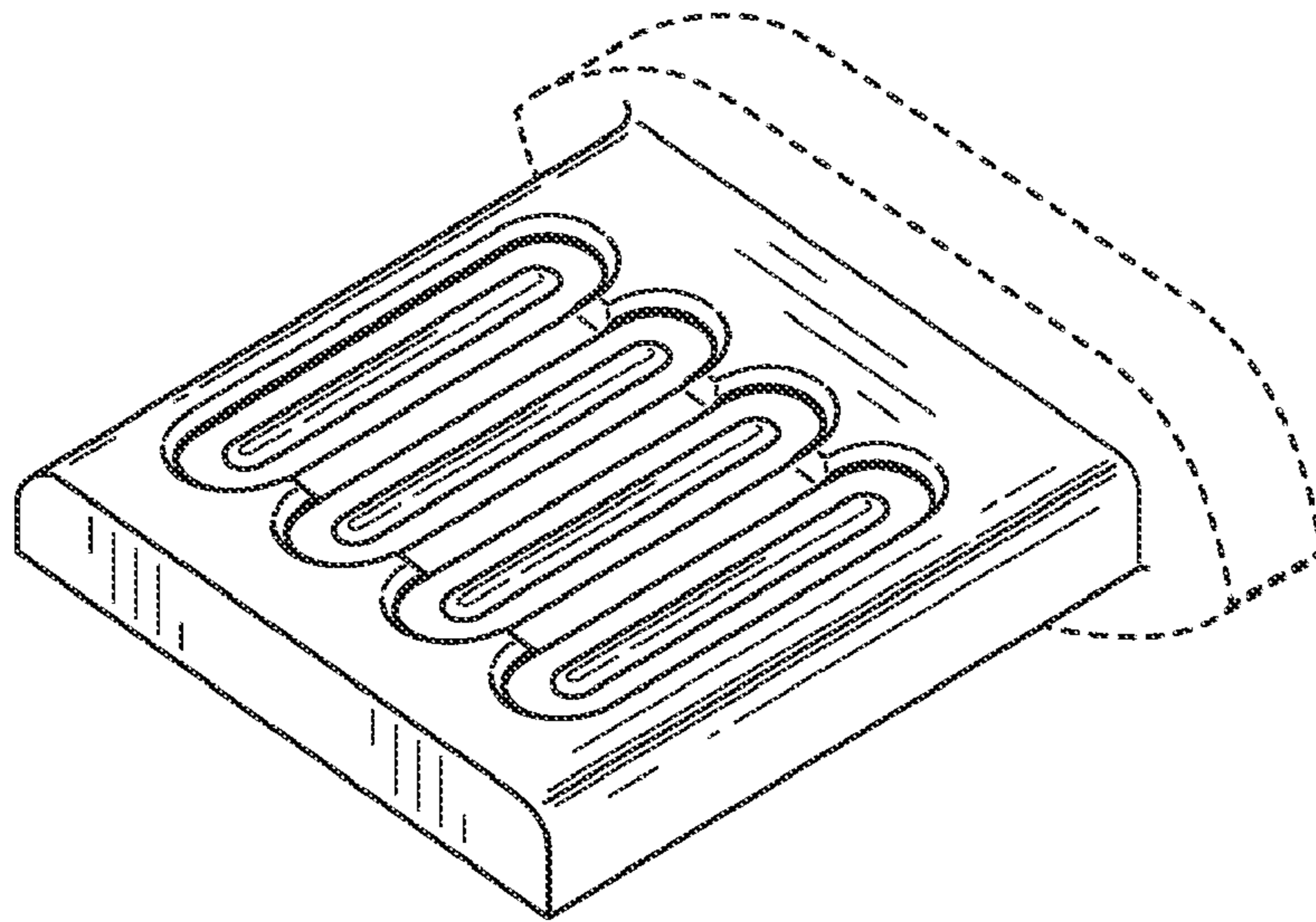


FIG. 1

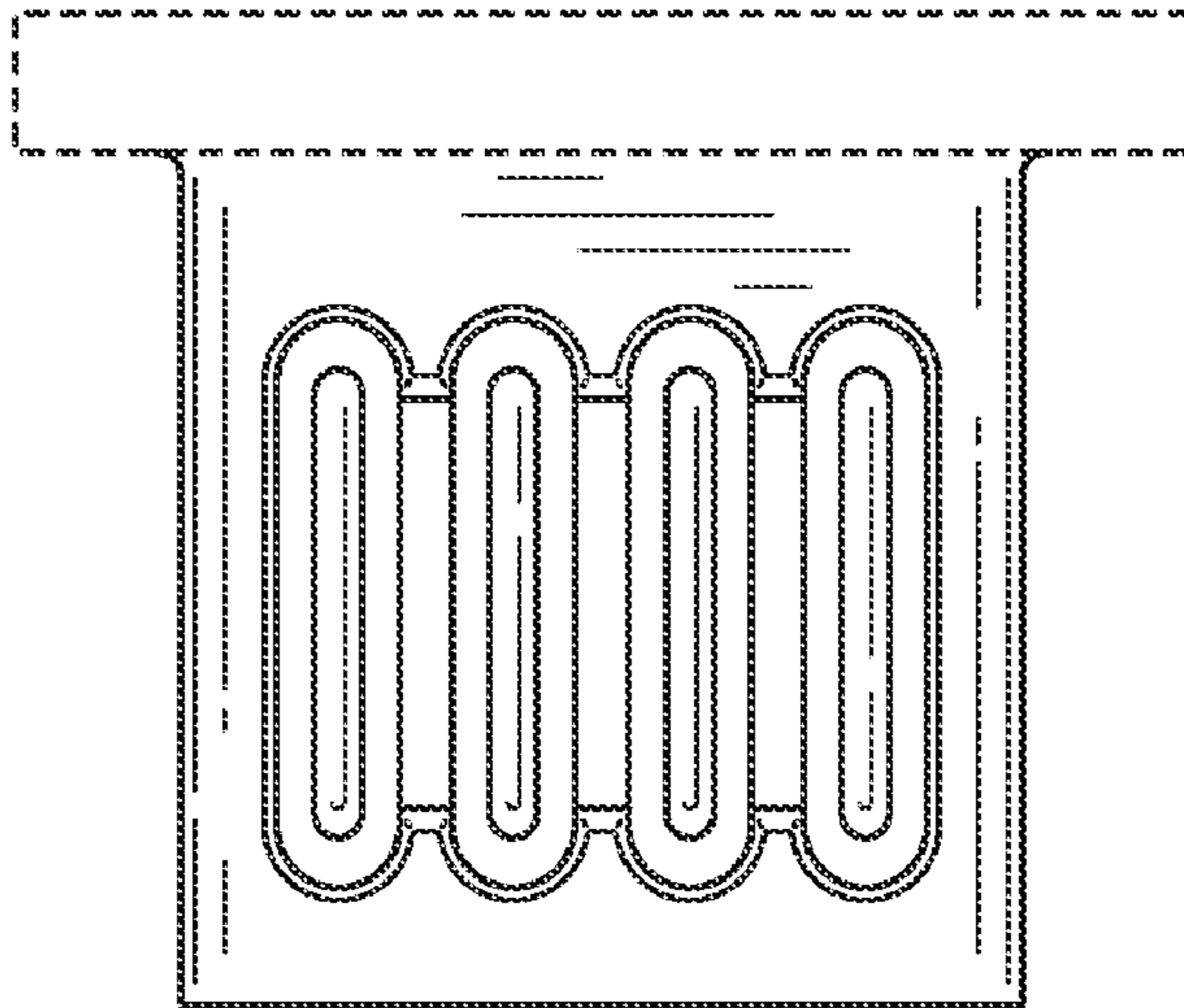


FIG. 2

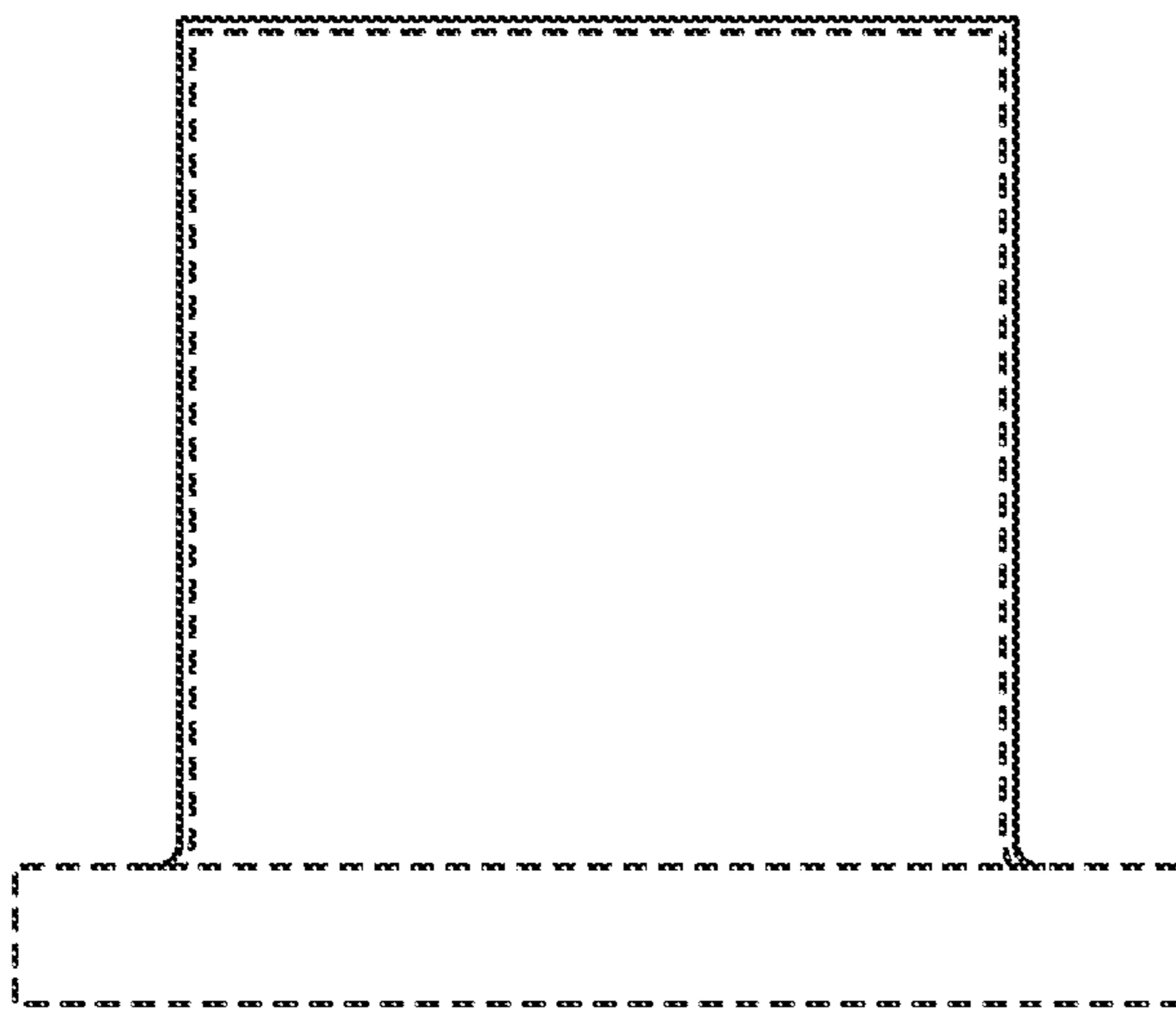


FIG. 3

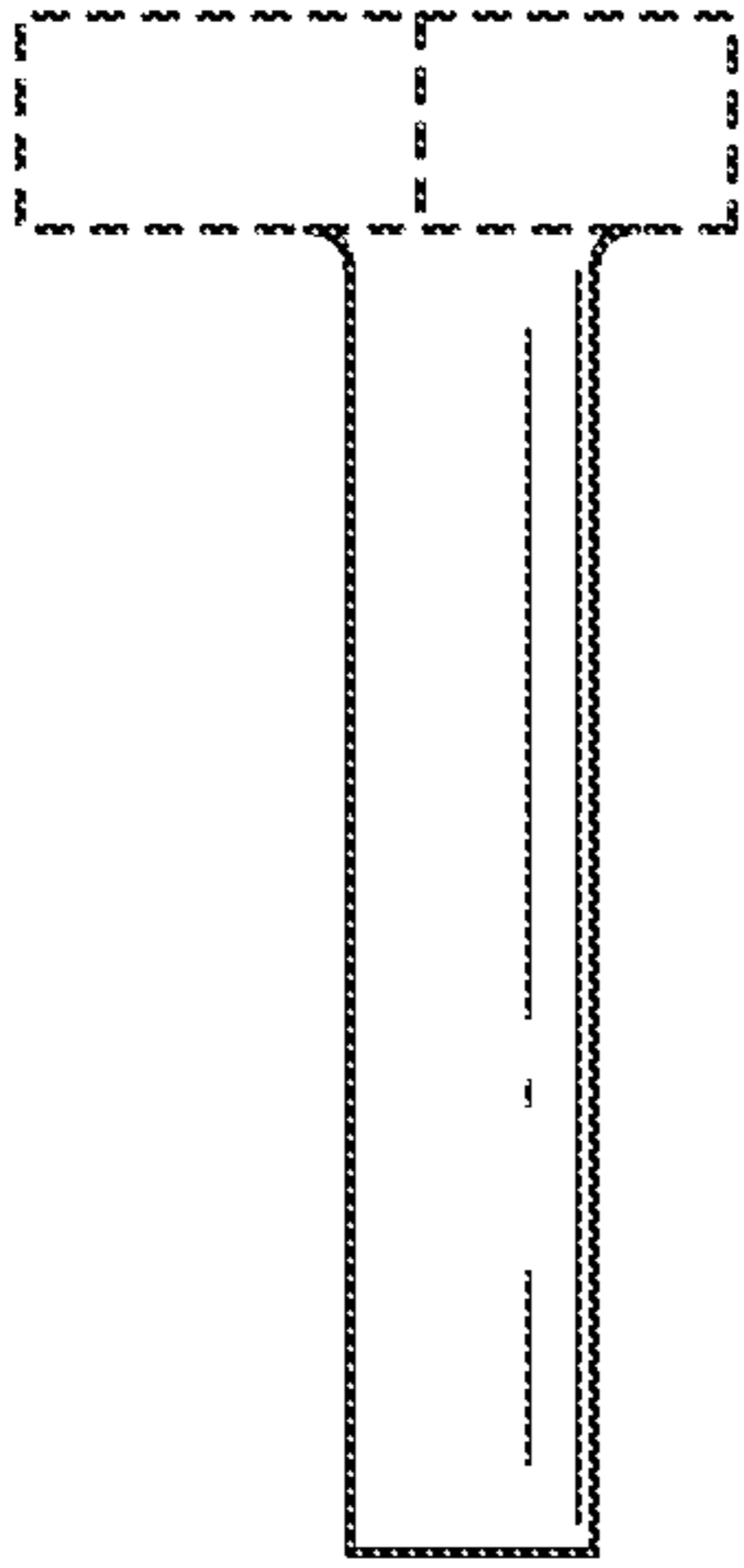


FIG. 4

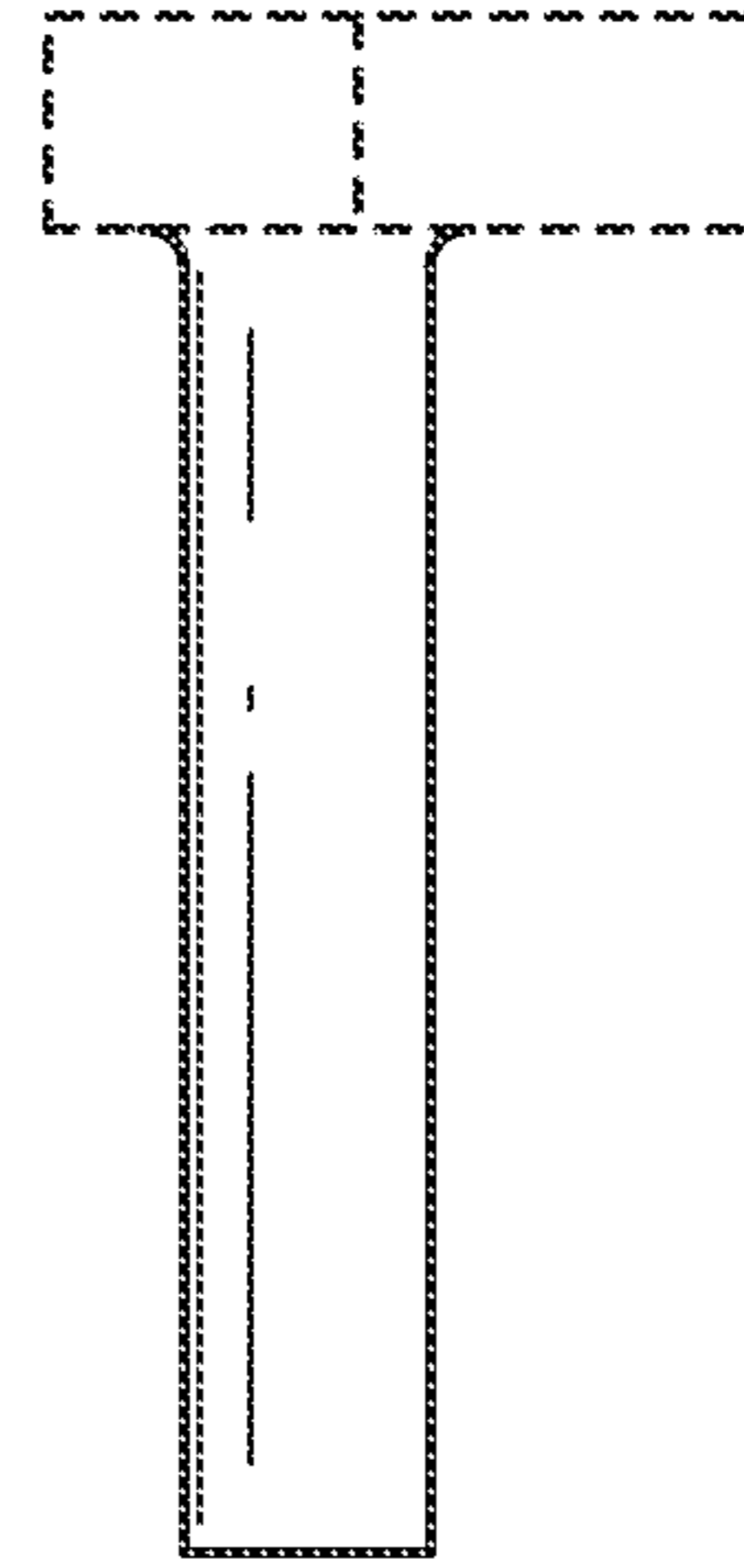


FIG. 5

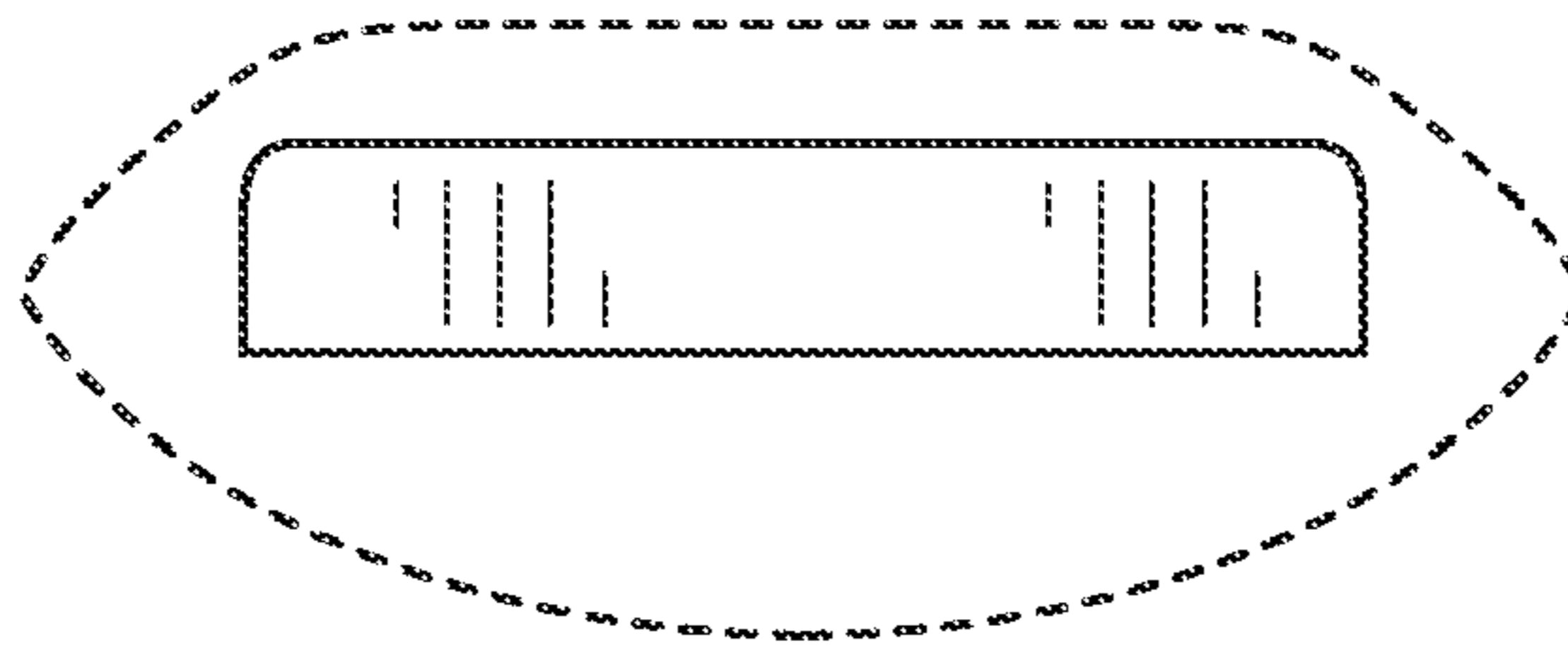


FIG. 6

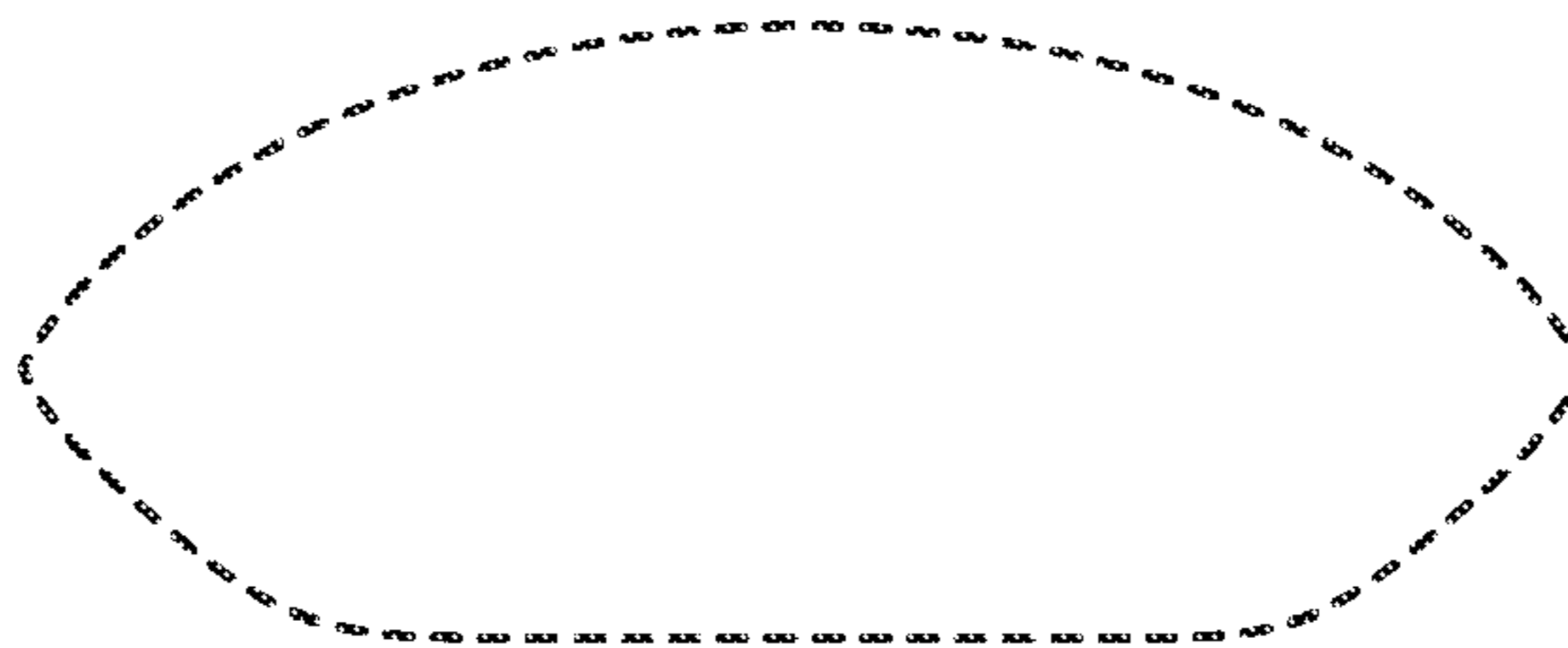


FIG. 7