



US00D665752S

(12) **United States Design Patent**
Fukushima et al.

(10) **Patent No.:** **US D665,752 S**
(45) **Date of Patent:** **** Aug. 21, 2012**

- (54) **CASE FOR VARIABLE RESISTOR**
- (75) Inventors: **Hajime Fukushima**, Kanagawa (JP);
Satomi Nakamura, Kanagawa (JP)
- (73) Assignee: **Tokyo Cosmos Electric Co., Ltd.**,
Kanagawa (JP)
- (**) Term: **14 Years**
- (21) Appl. No.: **29/414,729**
- (22) Filed: **Mar. 2, 2012**
- (30) **Foreign Application Priority Data**

Sep. 9, 2011 (JP) 2011-020532

- (51) **LOC (9) Cl.** **13-03**
- (52) **U.S. Cl.** **D13/146**
- (58) **Field of Classification Search** D13/12,
D13/133, 146, 147, 154; 439/180, 246, 278,
439/357, 358, 374, 527, 529, 533, 607.01,
439/607.22, 607.23, 607.31, 607.32, 607.33,
439/607.34, 607.53, 680, 892, 894
See application file for complete search history.

(56) **References Cited**

U.S. PATENT DOCUMENTS

3,657,688	A *	4/1972	Casey et al.	338/150
3,771,093	A *	11/1973	Ishikawa et al.	338/132
3,950,722	A *	4/1976	Hufford et al.	338/150
4,052,786	A *	10/1977	Hufford et al.	29/610.1
4,133,990	A *	1/1979	Wanner et al.	200/6 B
4,184,140	A *	1/1980	Frey et al.	338/174
4,210,896	A *	7/1980	Van Benthuyssen	338/159
4,400,597	A *	8/1983	Bruder et al.	200/6 B
4,429,297	A *	1/1984	Nakatsu	338/162
D284,261	S *	6/1986	Sorenson	D8/353

4,719,324	A *	1/1988	Kuratani	200/11 R
5,150,095	A *	9/1992	Jones	338/196
5,814,775	A *	9/1998	Chou	200/11 R
D617,739	S *	6/2010	Chang	D13/154
2007/0235314	A1 *	10/2007	Wong et al.	200/571
2009/0277761	A1 *	11/2009	Huang et al.	200/1 R

* cited by examiner

Primary Examiner — Thomas Johannes
(74) *Attorney, Agent, or Firm* — Connolly Bove Lodge & Hutz LLP

(57) **CLAIM**
The ornamental design for a case for variable resistor, as shown and described.

DESCRIPTION

FIG. 1 is a top plan view of a case for variable resistor showing our new design;
 FIG. 2 is a front side plan view thereof;
 FIG. 3 is a rear side plan view thereof;
 FIG. 4 is a bottom plan view thereof;
 FIG. 5 is a right-side plan view thereof;
 FIG. 6 is a left-side plan view thereof;
 FIG. 7 is a sectional view thereof in the direction of line 7-7 of FIG. 2;
 FIG. 8 is a sectional view thereof in the direction of line 8-8 of FIG. 2;
 FIG. 9 is a sectional view thereof in the direction of line 9-9 of FIG. 2;
 FIG. 10 is a sectional view thereof in the direction of line 10-10 of FIG. 2;
 FIG. 11 is a front perspective view thereof; and,
 FIG. 12 is a rear perspective view thereof.

1 Claim, 12 Drawing Sheets

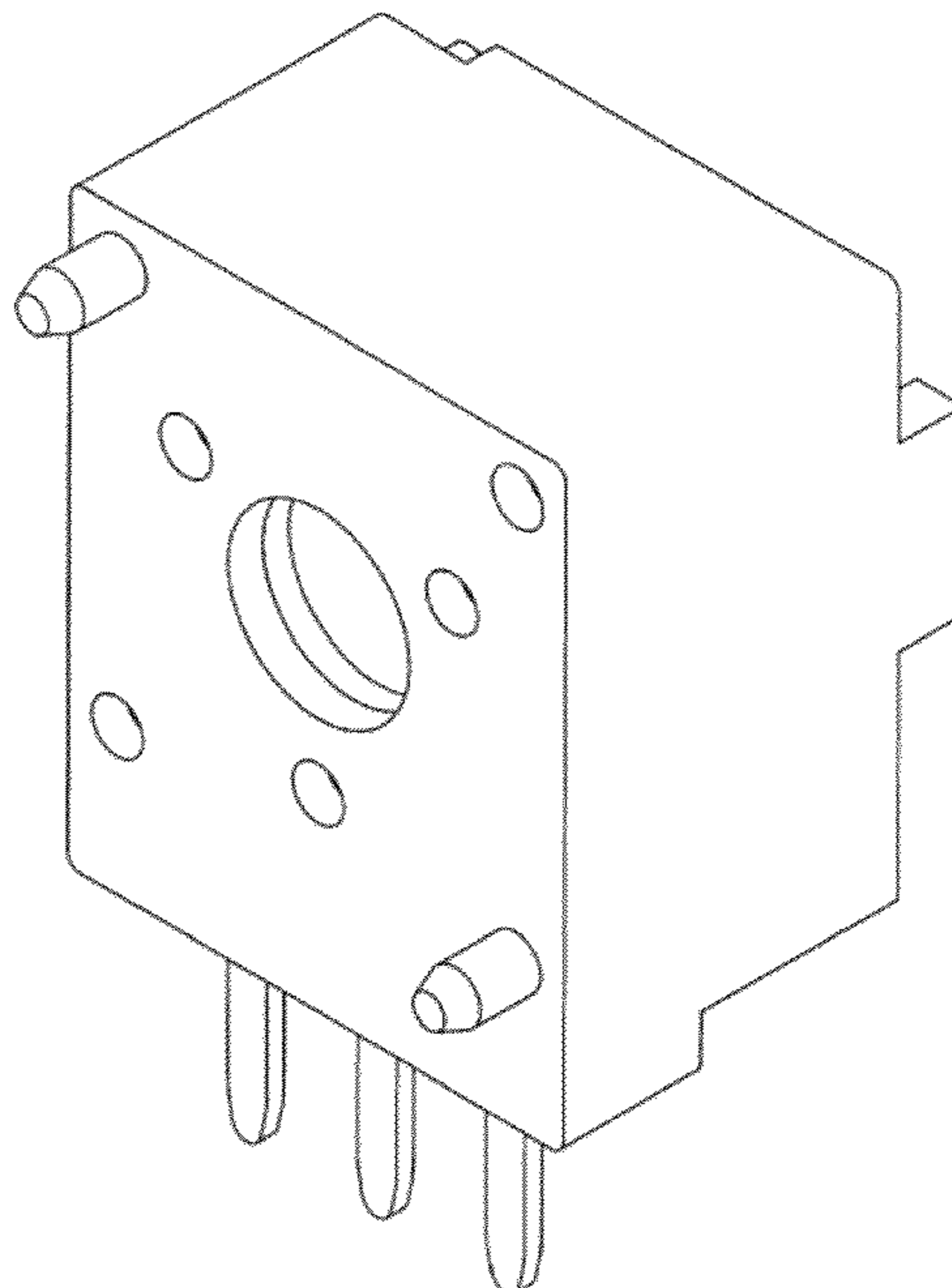
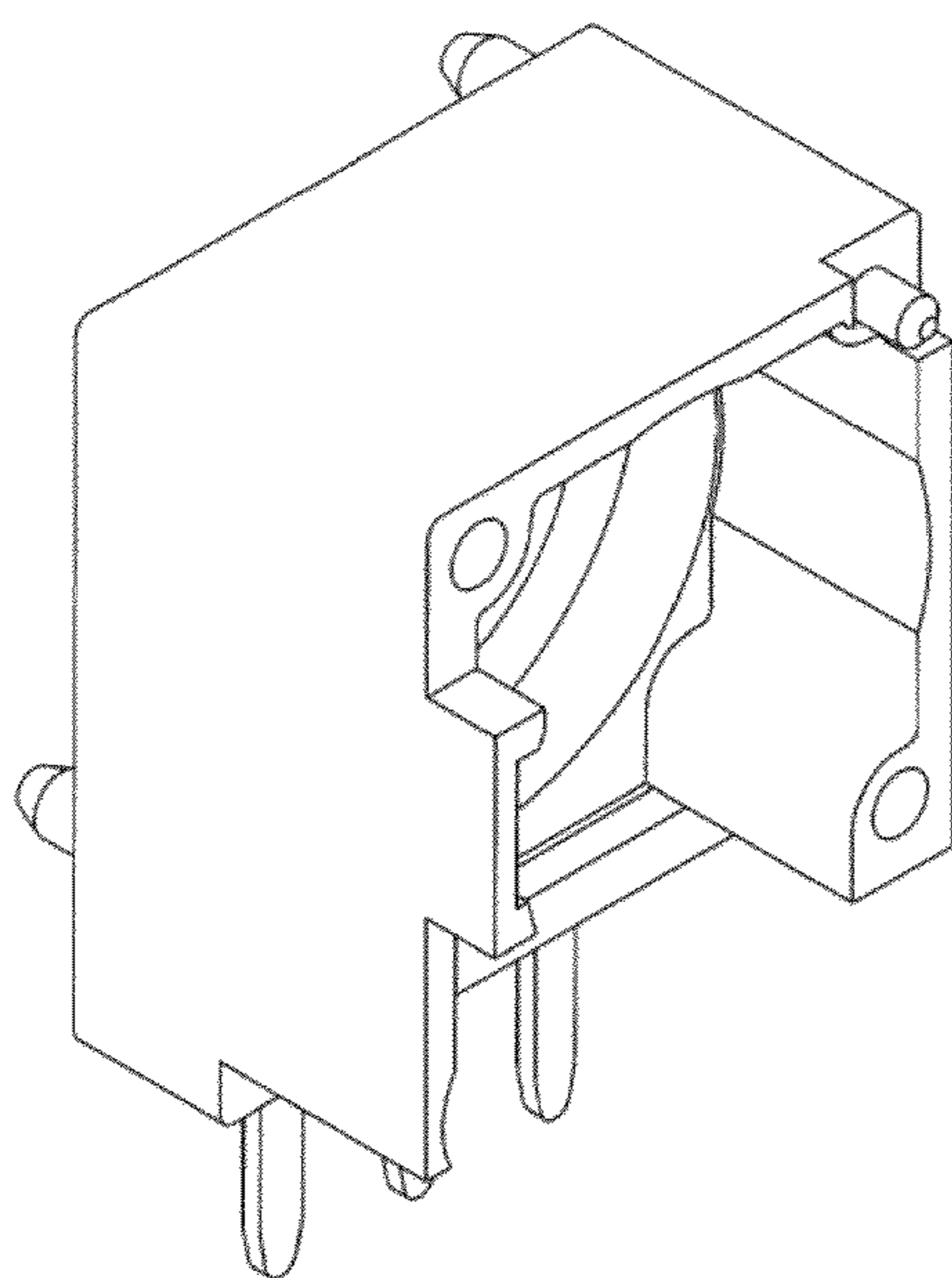


FIG. 1

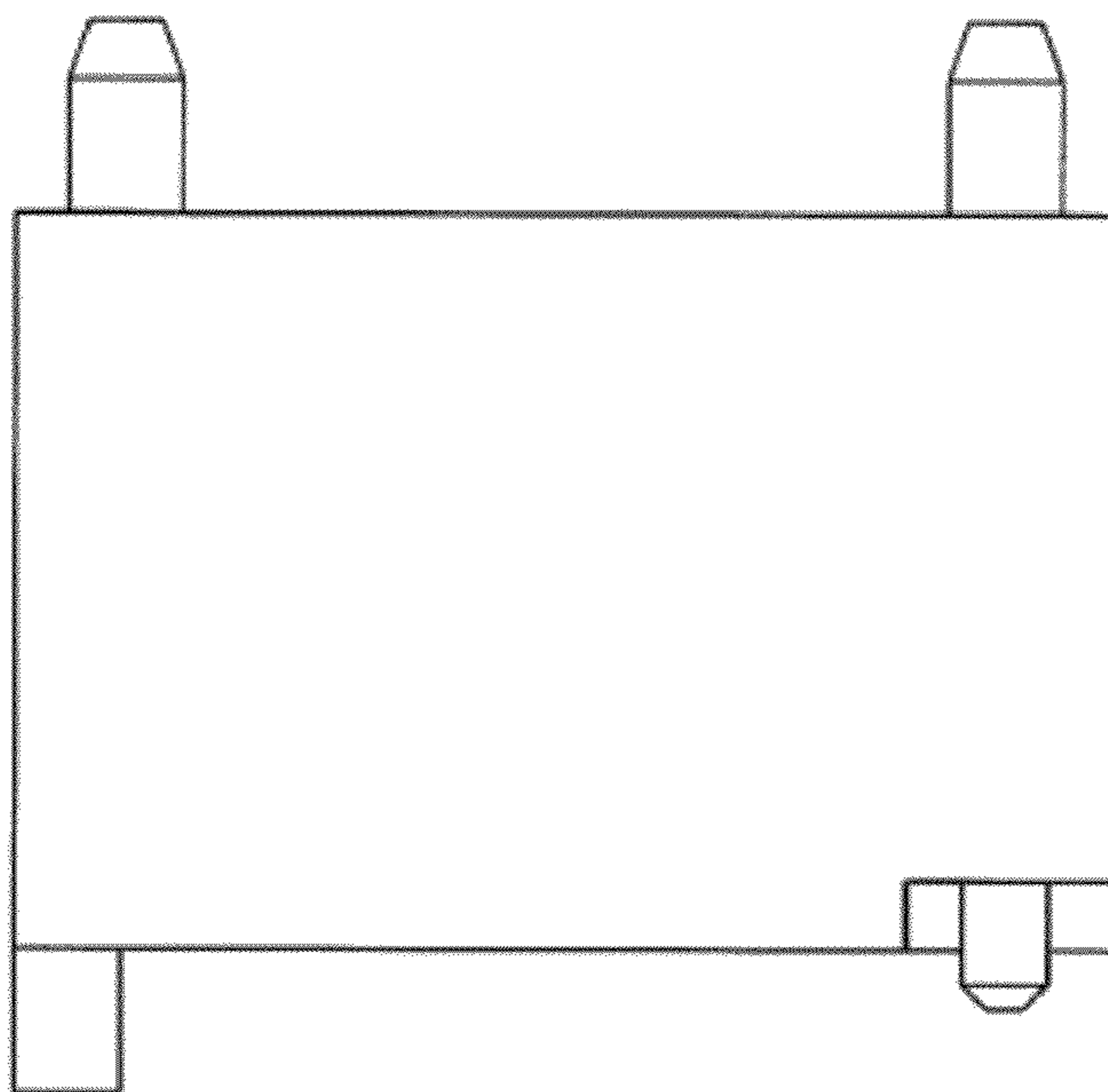


FIG.2

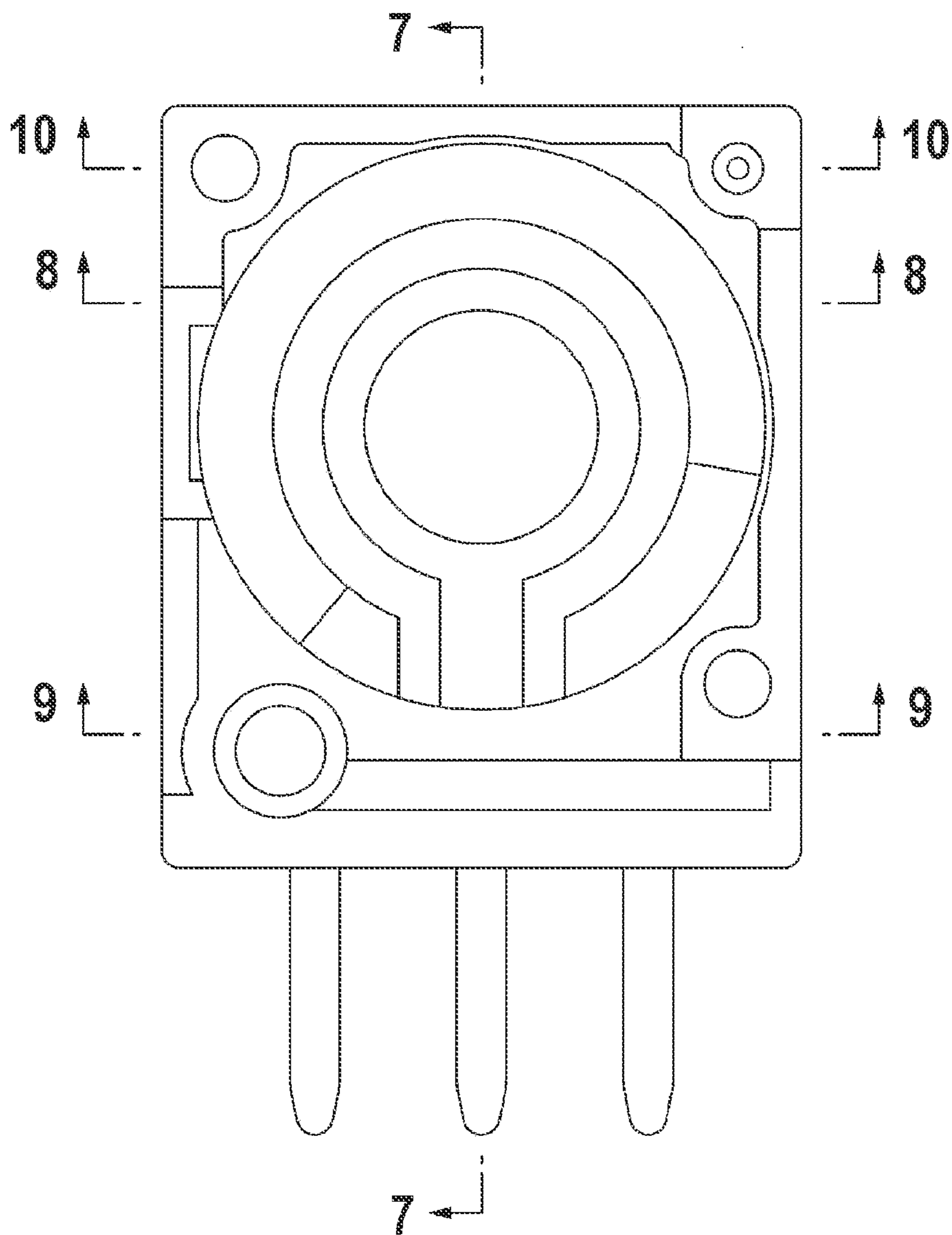


FIG.3

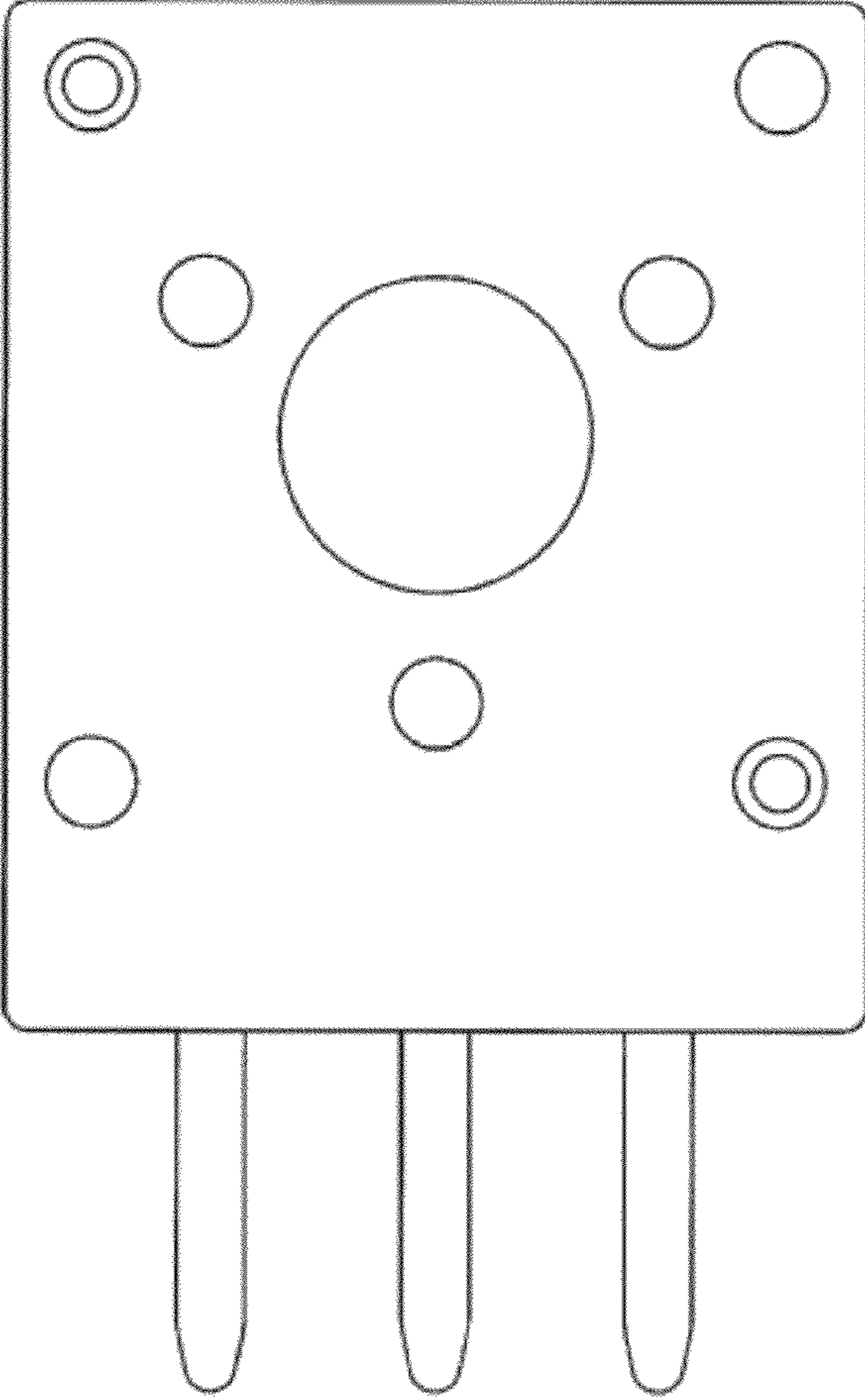


FIG.4

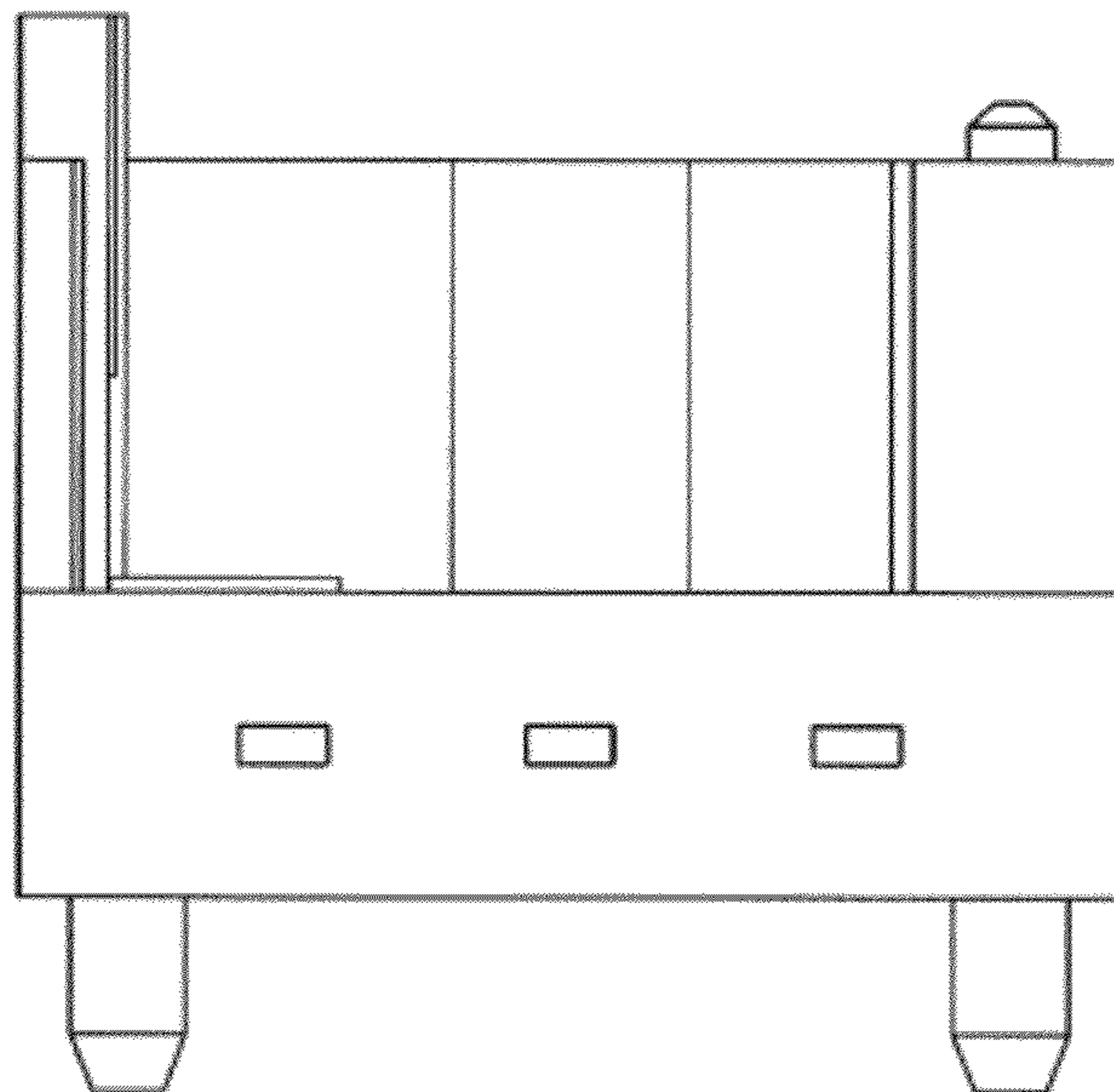


FIG.5

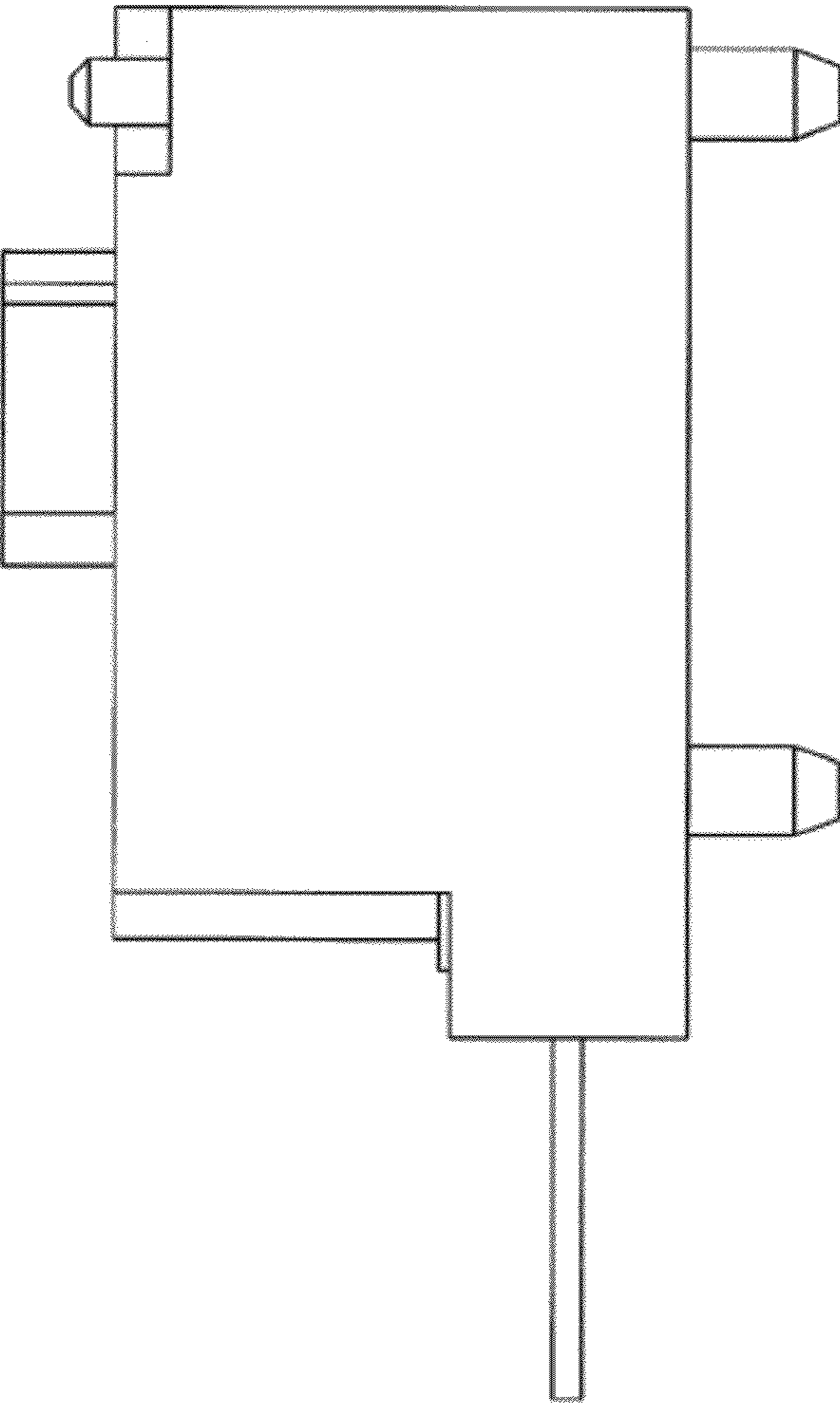


FIG.6

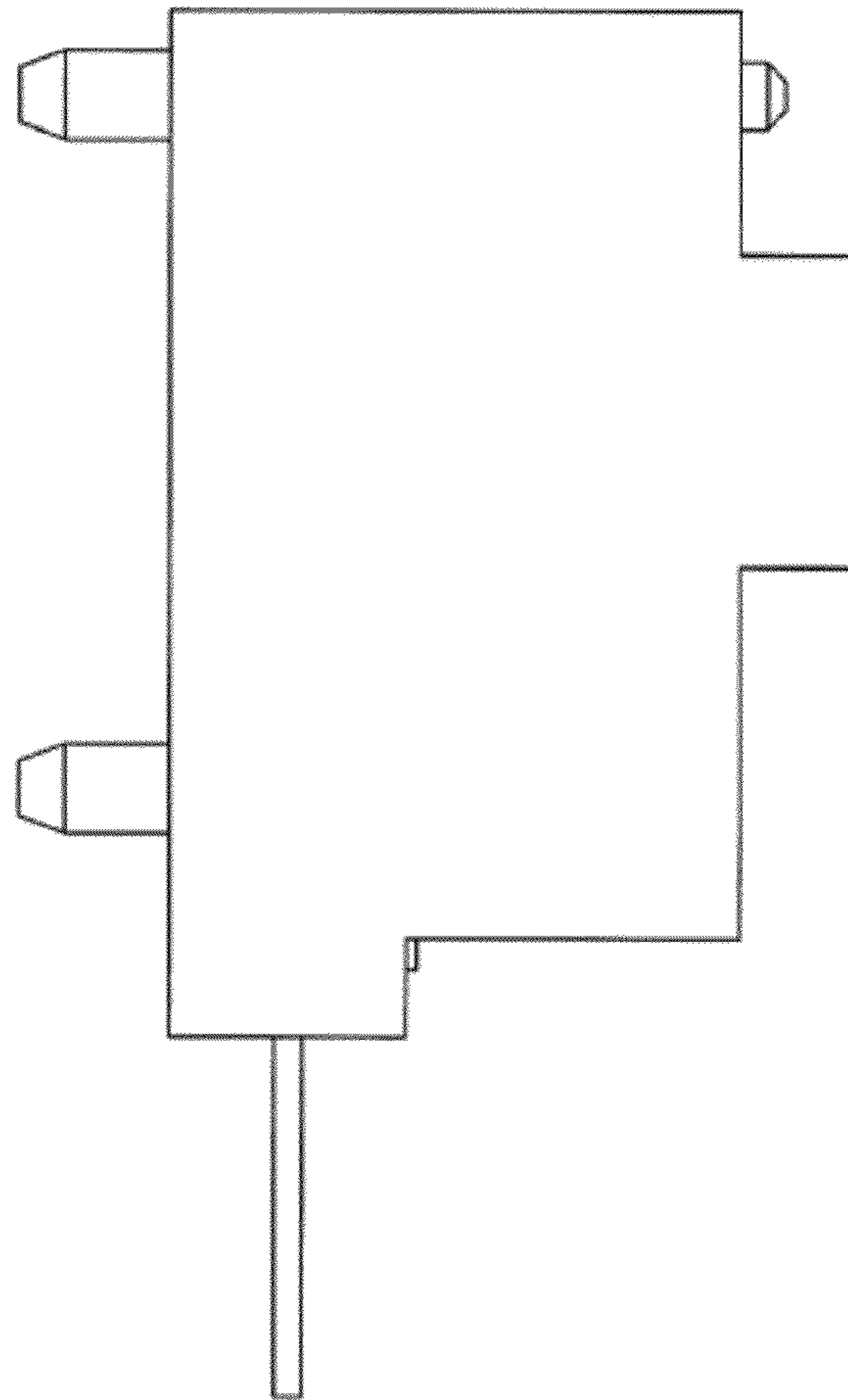


FIG.7

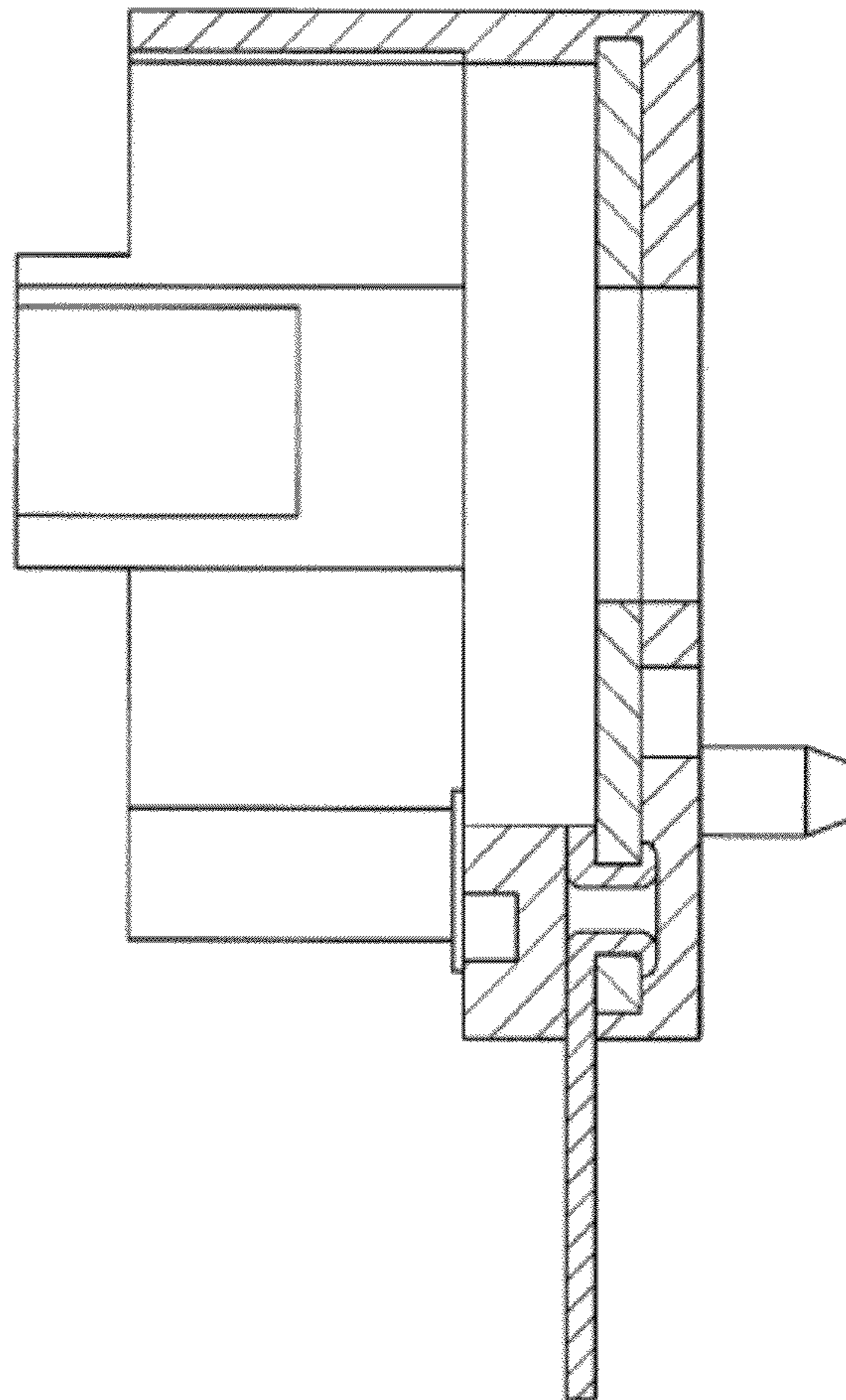


FIG.8

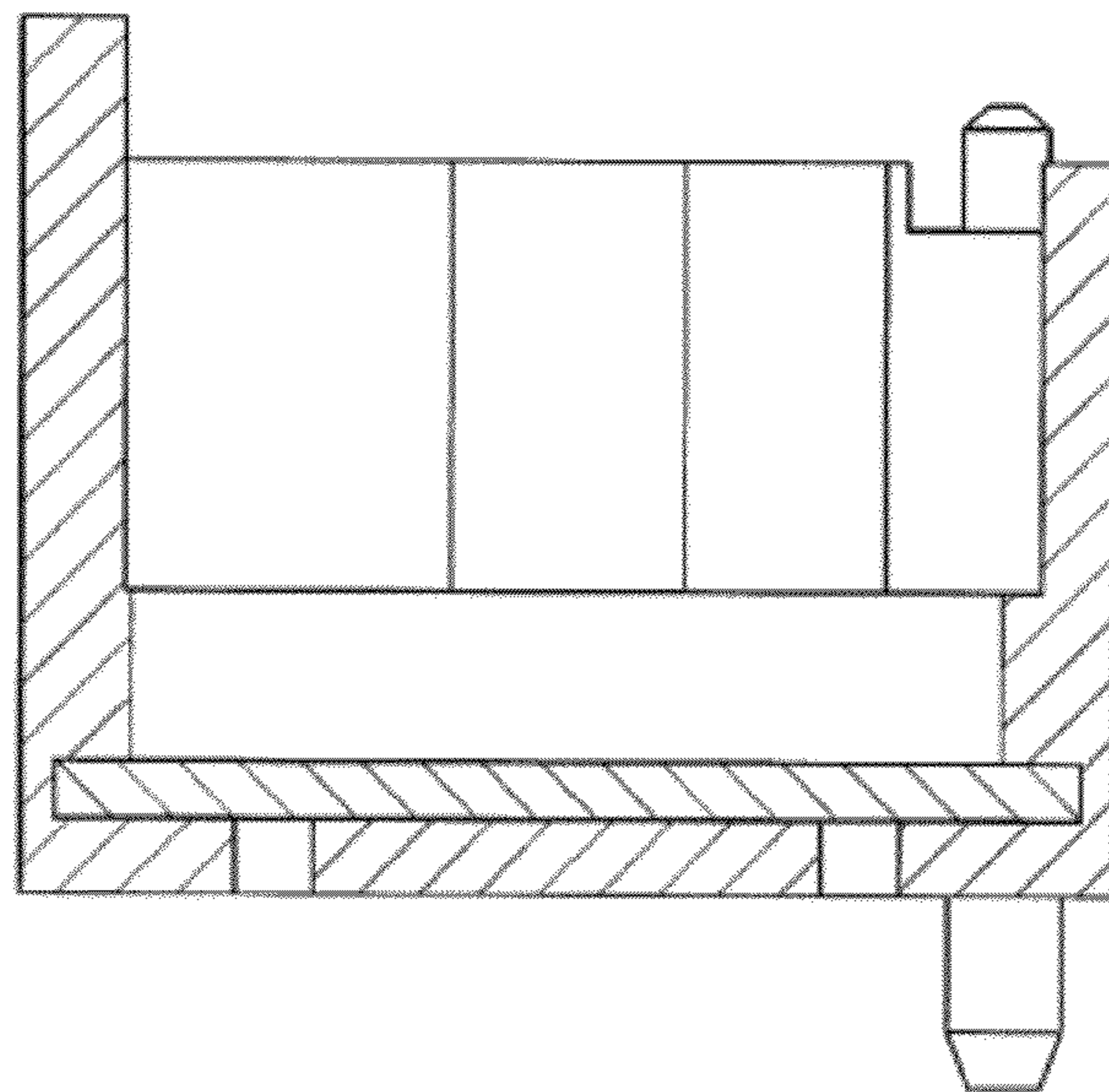


FIG.9

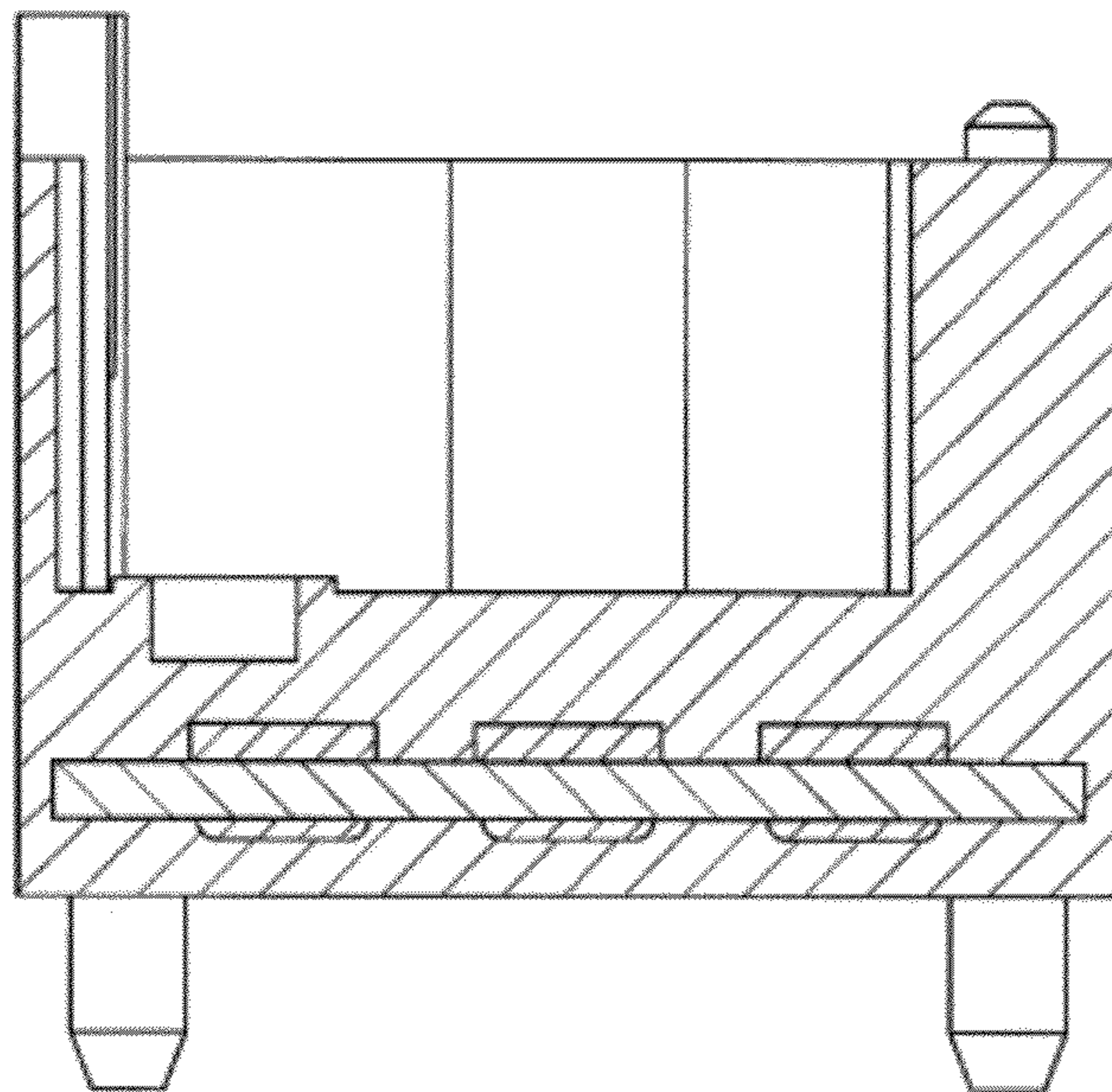


FIG.10

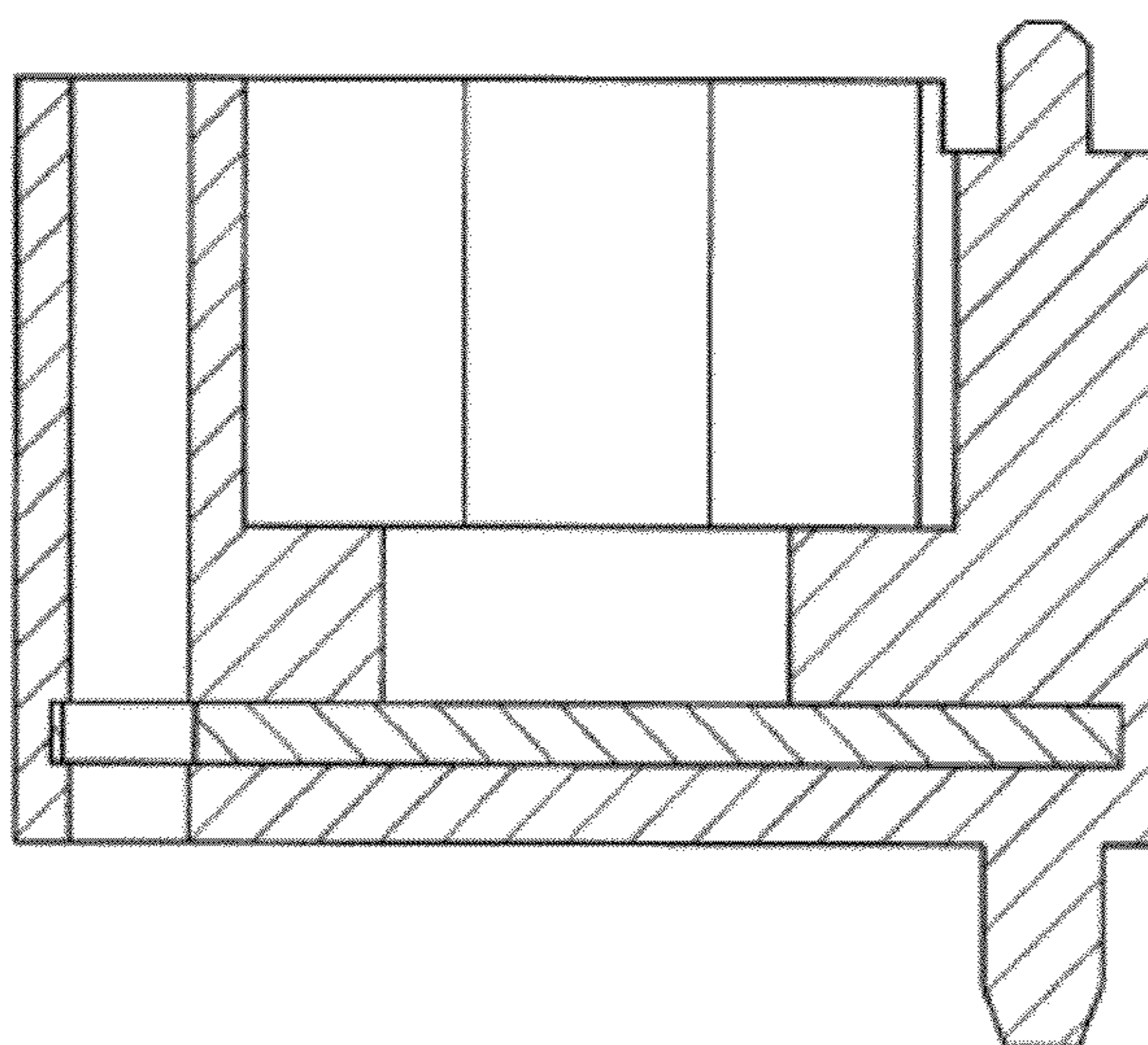


FIG.11

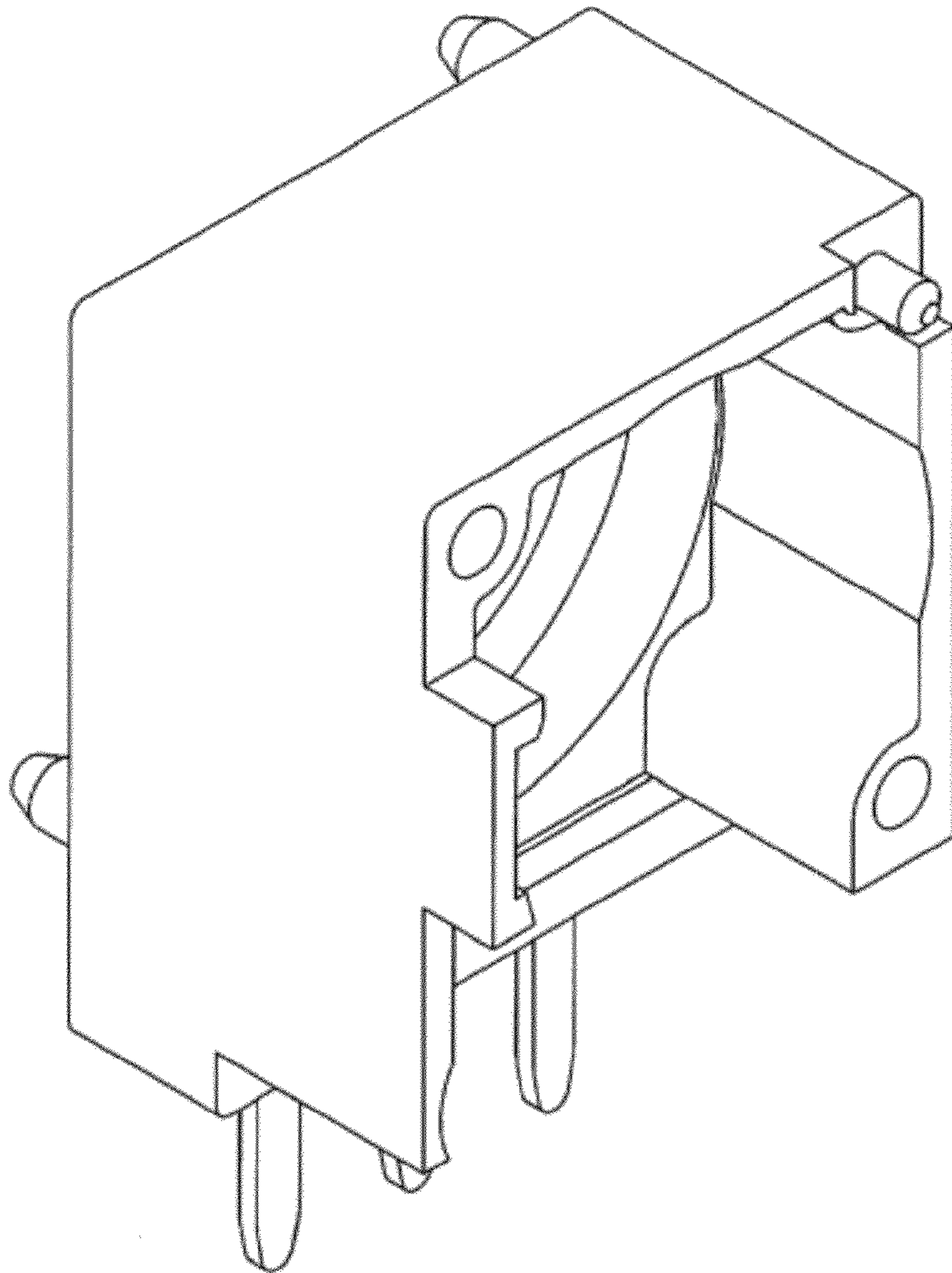


FIG.12

