



US00D665751S

(12) **United States Design Patent**
Byrne et al.

(10) **Patent No.:** **US D665,751 S**
(45) **Date of Patent:** **** Aug. 21, 2012**

(54) **ELECTRICAL CONNECTOR**

(76) Inventors: **Norman R. Byrne**, Ada, MI (US);
Randell E. Pate, Jenison, MI (US);
Timothy J. Warwick, Sparta, MI (US);
Jorge Angulo Givaudan, Mexico City (MX)

(**) Term: **14 Years**

(21) Appl. No.: **29/414,396**

(22) Filed: **Feb. 28, 2012**

Related U.S. Application Data

(63) Continuation-in-part of application No.
PCT/US2010/047981, filed on Sep. 7, 2010.

(51) **LOC (9) Cl.** **13-03**

(52) **U.S. Cl.** **D13/146**

(58) **Field of Classification Search** D13/133,
D13/146-147, 154, 184, 199; 439/266, 345,
439/350, 352, 353, 354, 357, 358, 660, 680,
439/682, 752

See application file for complete search history.

(56) **References Cited**

U.S. PATENT DOCUMENTS

D210,533 S	3/1968	Pauza	
D252,269 S	7/1979	Jonsson	
4,345,813 A	8/1982	Hatch	
4,611,887 A	9/1986	Glover et al.	
D288,554 S	3/1987	Yokomizo et al.	
4,990,099 A	2/1991	Marin et al.	
5,171,159 A	12/1992	Byrne	
5,289,554 A	2/1994	Cubukciyan et al.	
5,521,997 A	5/1996	Rovenolt et al.	
D399,822 S	10/1998	Starec et al.	
D463,371 S	9/2002	Lee et al.	
D474,746 S *	5/2003	Rupert	D13/147

D500,291 S 12/2004 Byrne
D502,447 S * 3/2005 Watanabe et al. D13/133
D506,978 S * 7/2005 Watanabe et al. D13/133

(Continued)

FOREIGN PATENT DOCUMENTS

WO WO2011041070 A1 4/2011

OTHER PUBLICATIONS

“CAMBIO” brochure by Byrne Electrical Specialists, Inc., published Jul. 4, 2010.

(Continued)

Primary Examiner — Daniel Bui

(74) *Attorney, Agent, or Firm* — Gardner, Linn, Burkhardt & Flory, LLP

(57) **CLAIM**

The ornamental design for an electrical connector, as shown and described.

DESCRIPTION

FIG. 1 is a bottom perspective view of the electrical connector showing our new design;

FIG. 2 is a top plan view of the electrical connector of FIG. 1; FIG. 3 is a front end elevation of the electrical connector of FIG. 1;

FIG. 4 is bottom plan view of the electrical connector of FIG. 1;

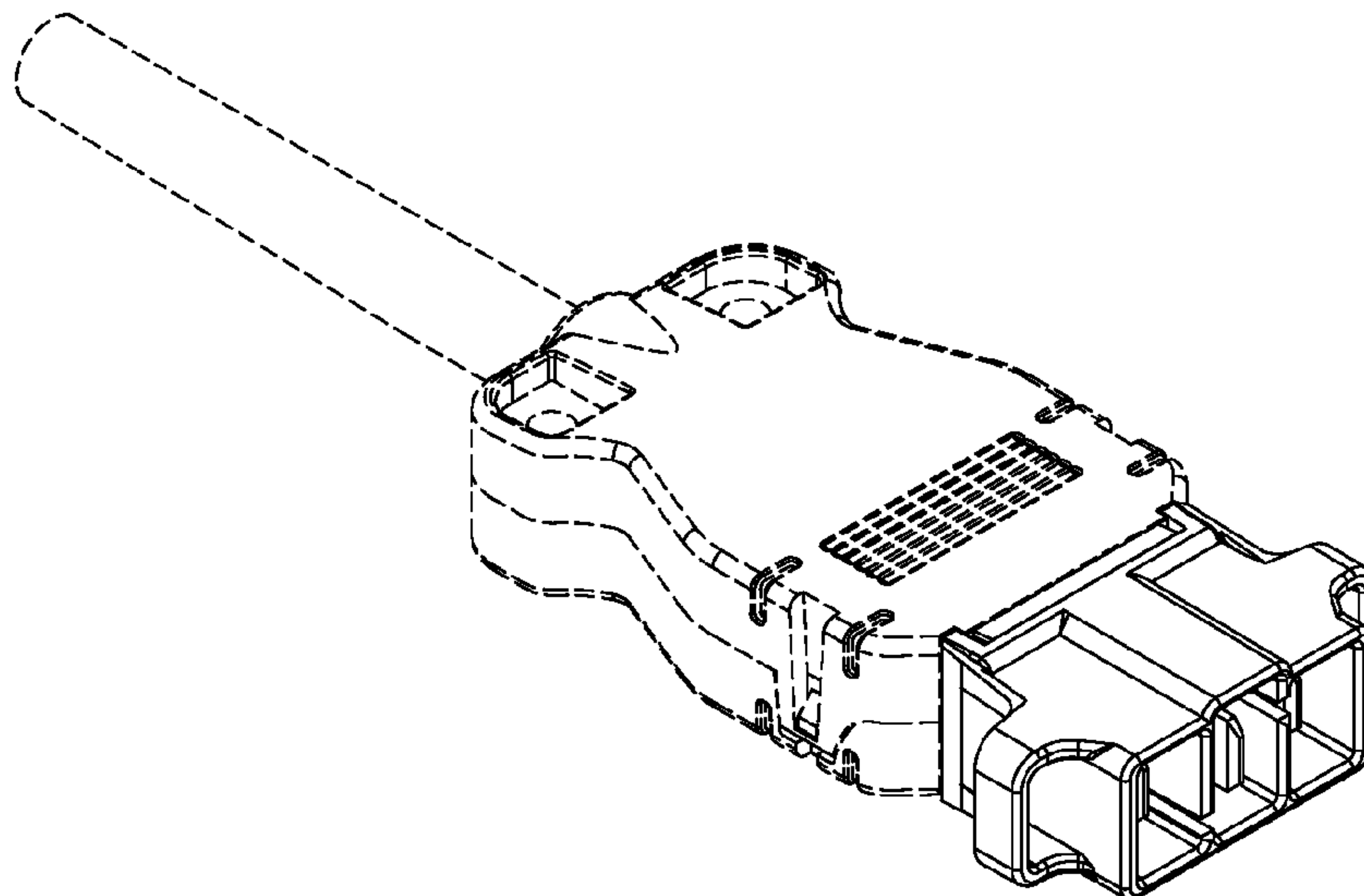
FIG. 5 is a rear end elevation of the electrical connector of FIG. 1;

FIG. 6 is a right side elevation of the electrical connector of FIG. 1; and,

FIG. 7 is a left side elevation of the electrical connector of FIG. 1.

The broken line in the drawing views are included to show unclaimed environment only and forms no part of the claimed design.

1 Claim, 4 Drawing Sheets



US D665,751 S

Page 2

U.S. PATENT DOCUMENTS

D510,908 S *	10/2005	Byrne	D13/147
D515,507 S	2/2006	Byrne		
D531,959 S *	11/2006	Kondas	D13/147
D531,960 S *	11/2006	Kondas	D13/147
7,255,596 B2	8/2007	Pyrros		
7,410,379 B1	8/2008	Byrne		
D580,370 S	11/2008	Ramsey		
D581,366 S	11/2008	Knepper		
7,641,510 B2	1/2010	Byrne		
D611,913 S	3/2010	Rupert		
D615,931 S *	5/2010	Byrne	D13/147
D629,751 S *	12/2010	Byrne	D13/146
D651,980 S *	1/2012	Byrne	D13/147
2003/0159850 A1	8/2003	McCarthy		
2009/0008120 A1	1/2009	Gates et al.		
2011/0104922 A1	5/2011	Byrne		

OTHER PUBLICATIONS

Byrne et al., U.S. Appl. No. 29/414,400, filed Feb. 28, 2012.

* cited by examiner

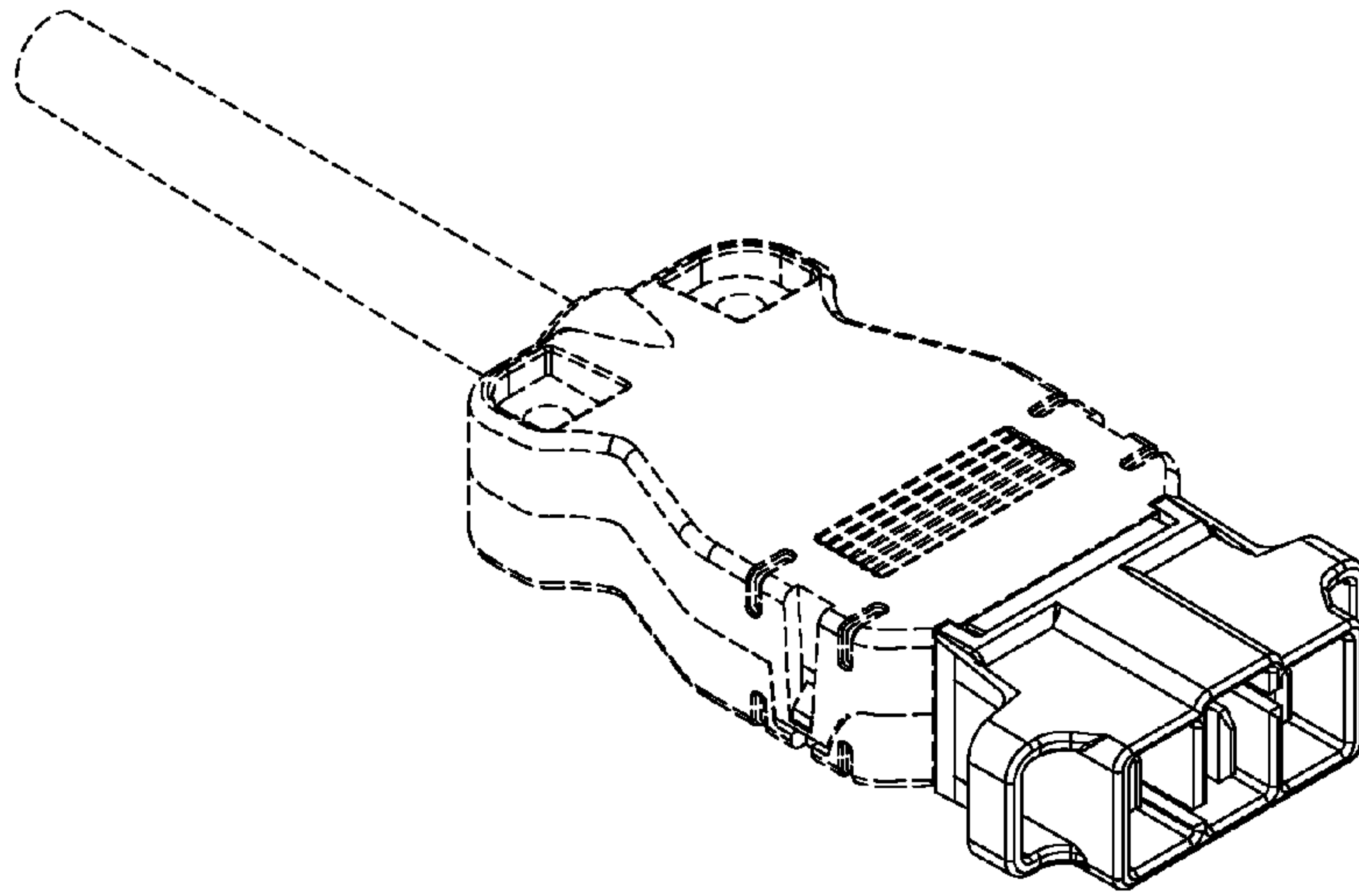


Fig. 1

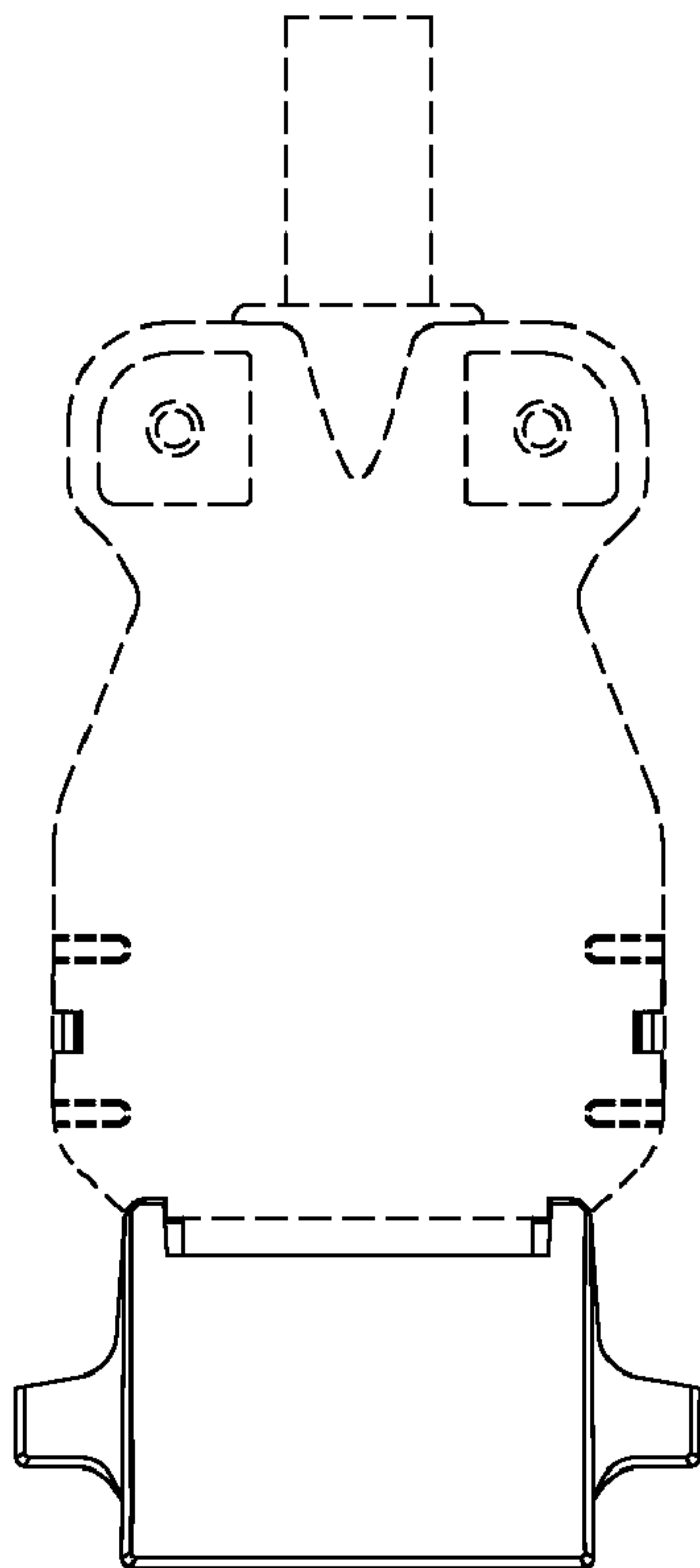


Fig. 2

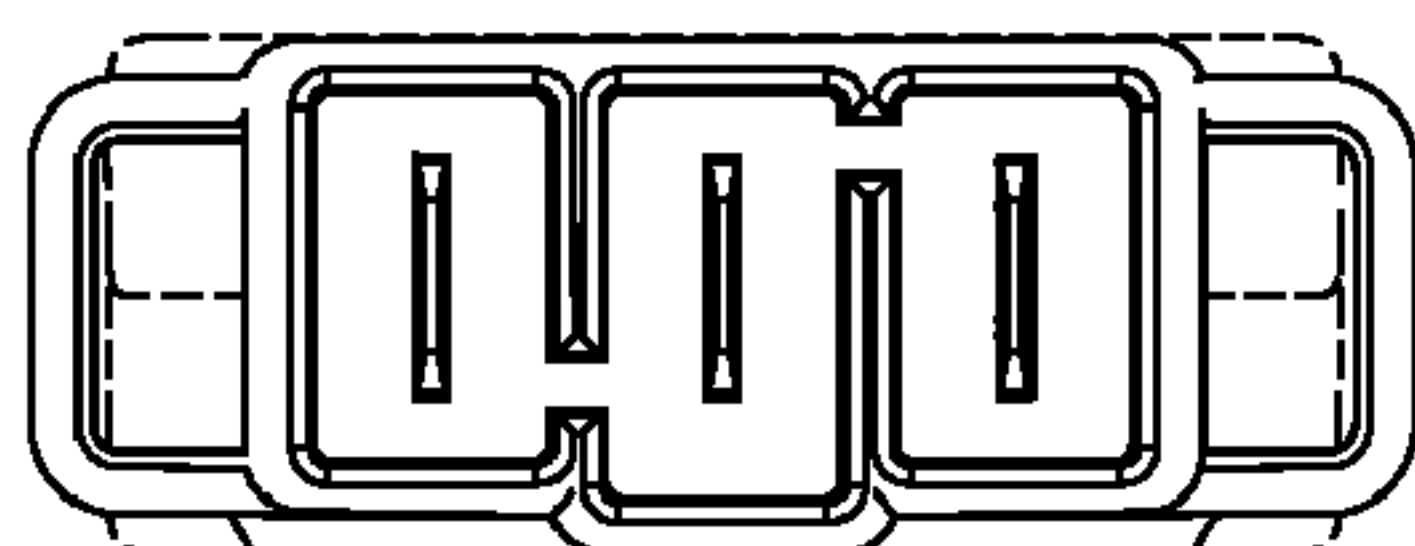


Fig. 3

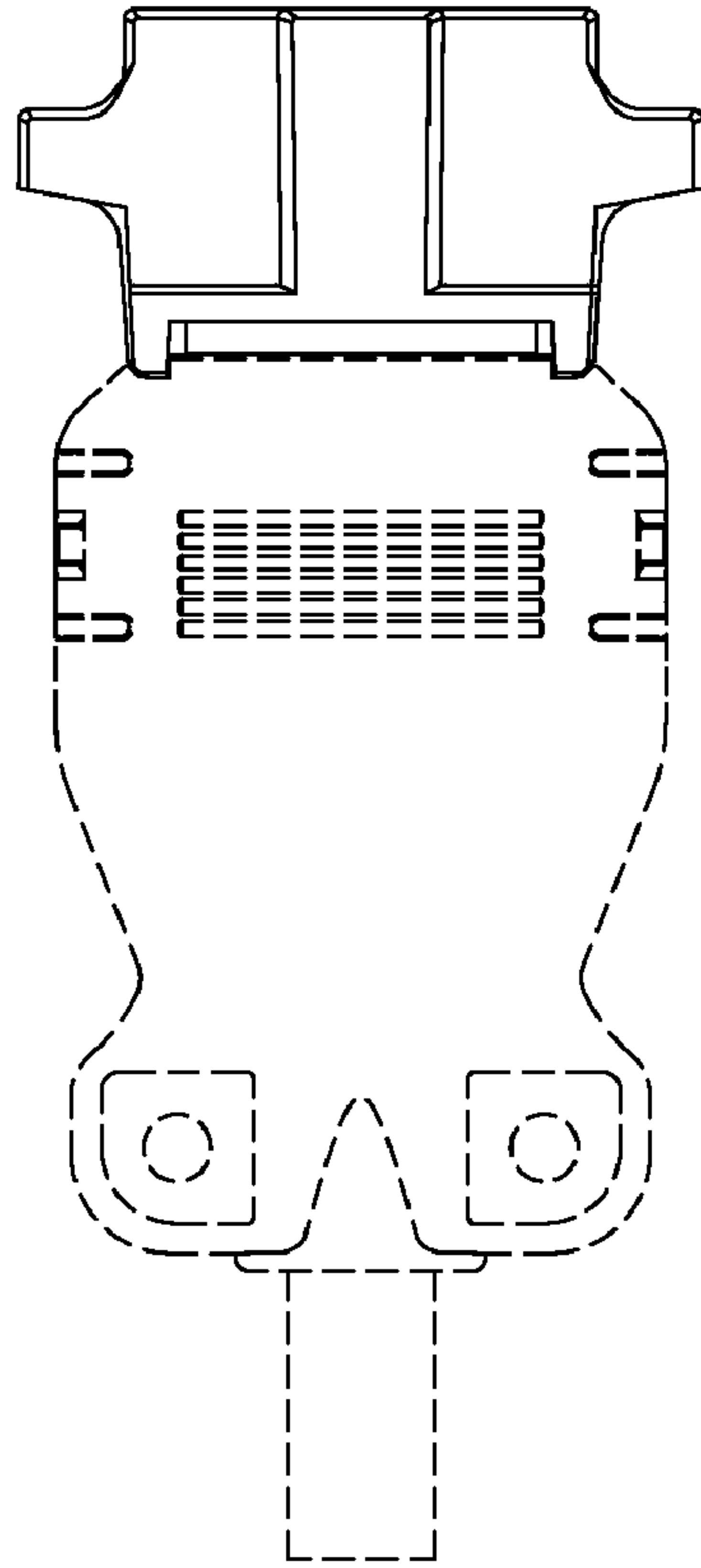


Fig. 4

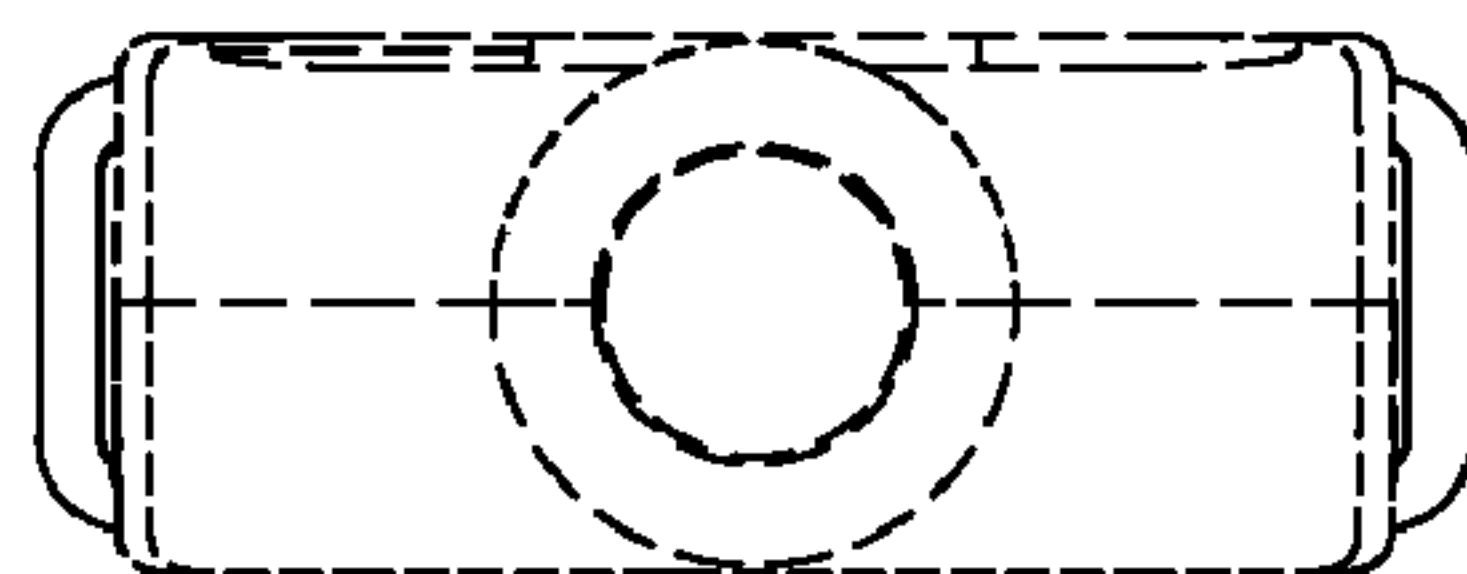


Fig. 5

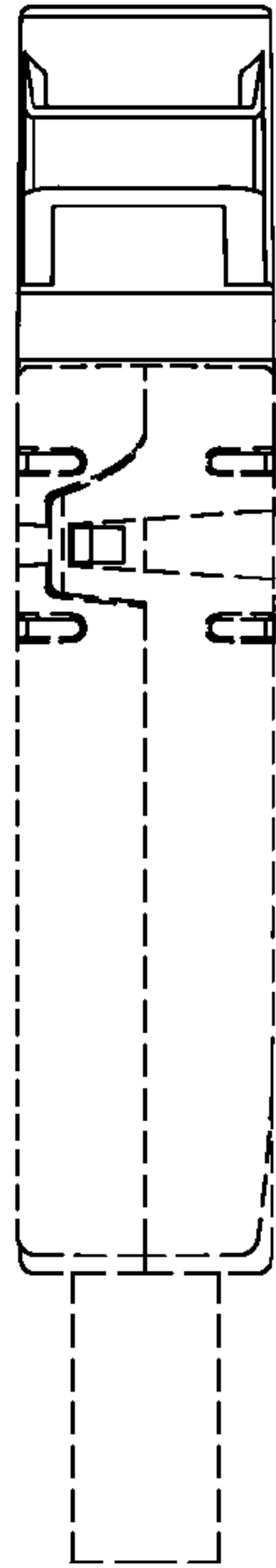


Fig. 6



Fig. 7