

US00D665750S

(12) **United States Design Patent**  
**Li et al.**

(10) **Patent No.:** **US D665,750 S**  
(45) **Date of Patent:** **\*\* Aug. 21, 2012**

(54) **T-CONNECTOR**

(75) Inventors: **Eddie Ping Kuen Li**, Hong Kong (CN);  
**Sue-Anne Tean Leung**, Hong Kong  
(CN)

(73) Assignee: **Huizhou Light Engine Ltd.**, Huizhou,  
Guangdong (CN)

(\*\*) Term: **14 Years**

(21) Appl. No.: **29/377,598**

(22) Filed: **Oct. 22, 2010**

(51) **LOC (9) Cl.** ..... **13-03**

(52) **U.S. Cl.** ..... **D13/146; D13/147**

(58) **Field of Classification Search** ..... D13/133,  
D13/146, 147, 154, 184, 199; D14/217,  
D14/432-433, 435, 435.1, 436, 439, 447,  
D14/454, 471, 483; 370/273-275, 464, 916;  
439/6, 180, 217-218, 221, 246, 249, 259,  
439/266, 374, 377, 445, 476.1, 483, 892,  
439/894

See application file for complete search history.

(56) **References Cited**

U.S. PATENT DOCUMENTS

D357,226 S \* 4/1995 Ybanez et al. .... D13/146  
D381,329 S \* 7/1997 Urlik ..... D14/483  
D449,275 S \* 10/2001 Goto ..... D13/147

D553,089 S \* 10/2007 Victor ..... D13/147  
D586,752 S \* 2/2009 Diamond et al. .... D13/147  
D586,753 S \* 2/2009 Diamond et al. .... D13/147  
D587,206 S \* 2/2009 Wu et al. .... D13/146  
D593,954 S \* 6/2009 Lee et al. .... D13/154  
D635,930 S \* 4/2011 Li et al. .... D13/147

\* cited by examiner

*Primary Examiner* — Daniel Bui

(74) *Attorney, Agent, or Firm* — Dickstein Shapiro LLP

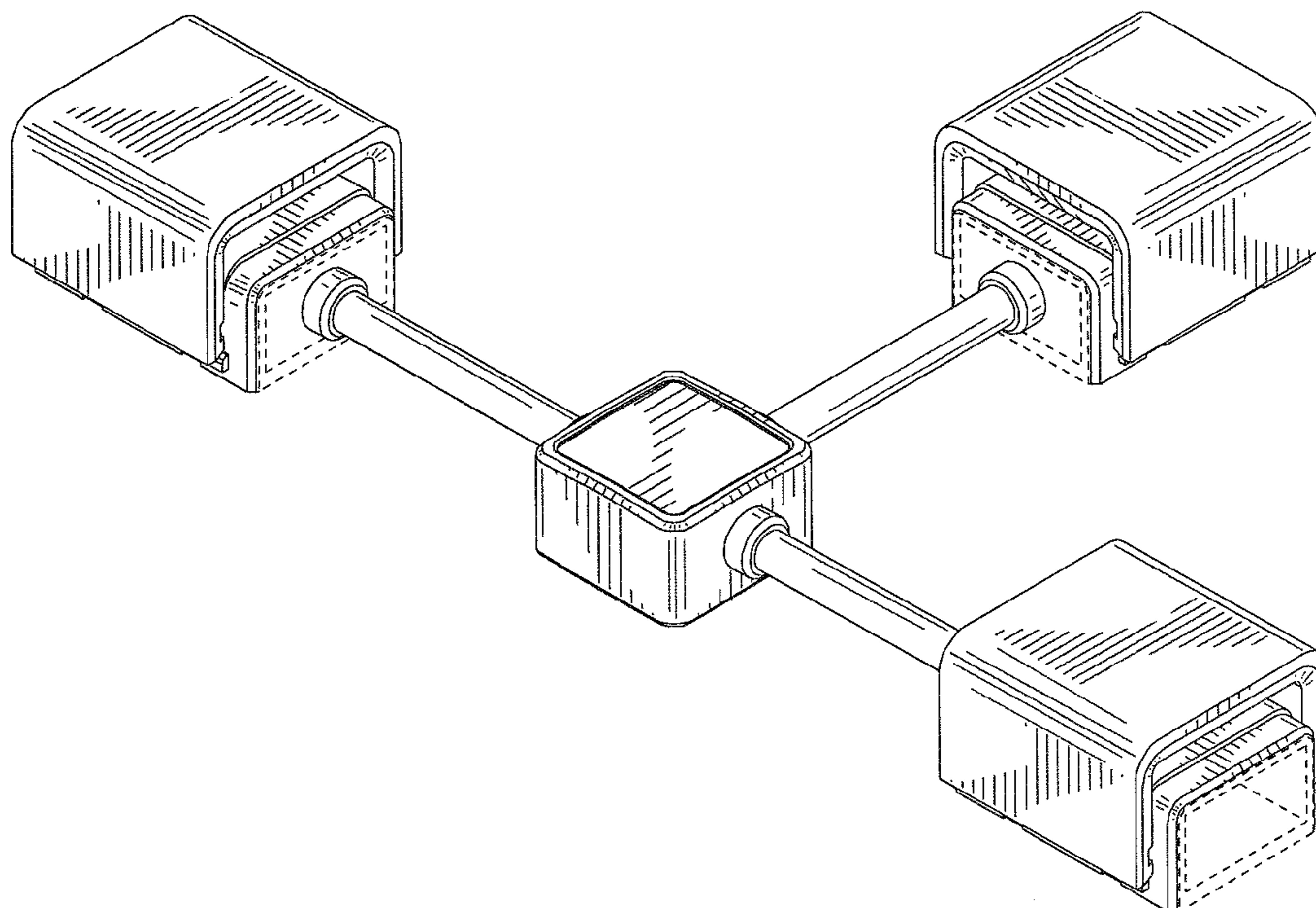
(57) **CLAIM**

The ornamental design for a T-connector, as shown and described.

**DESCRIPTION**

FIG. 1 is a perspective view of a T-connector showing our new design;  
FIG. 2 is a top view of the T-connector shown in FIG. 1;  
FIG. 3 is a right side view of the T-connector shown in FIG. 1;  
FIG. 4 is a left side view of the T-connector shown in FIG. 1;  
FIG. 5 is a bottom view of the T-connector shown in FIG. 1;  
FIG. 6 is a rear view of the T-connector shown in FIG. 1; and,  
FIG. 7 is a front view of the T-connector shown in FIG. 1.  
The broken line in the figure drawings is included for the purpose of illustrating environment and forms no part of the claimed design.

**1 Claim, 7 Drawing Sheets**



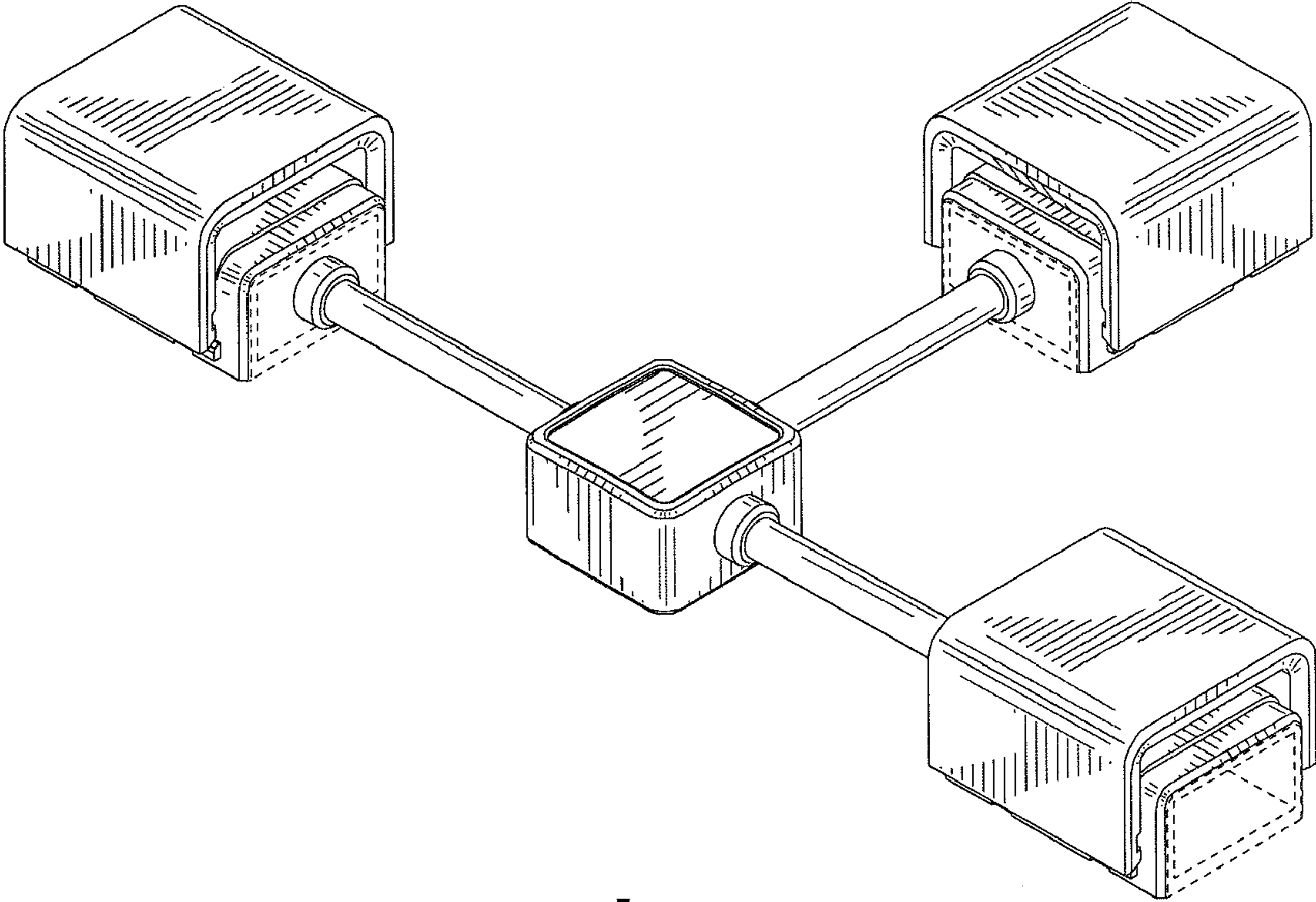


FIG. 1

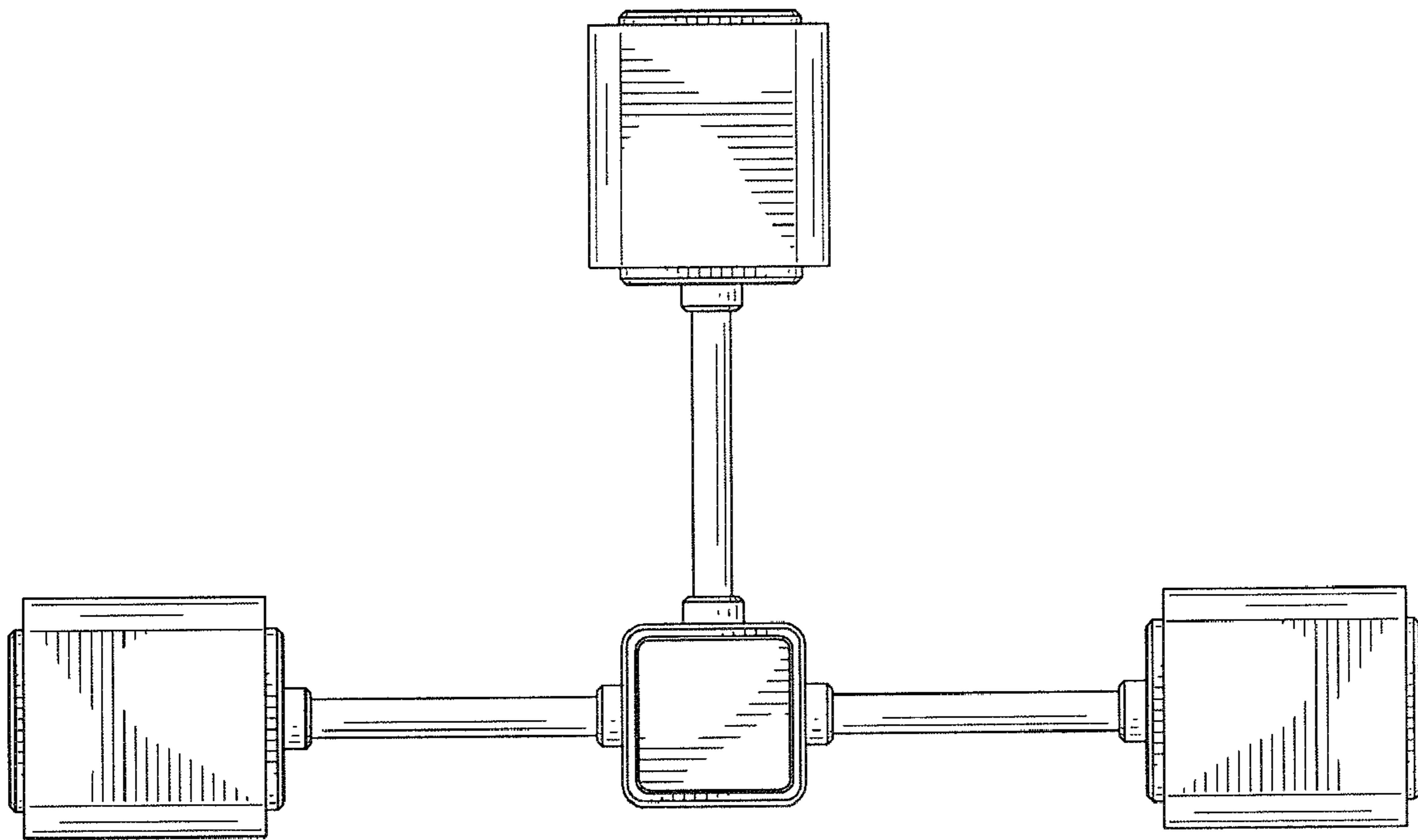
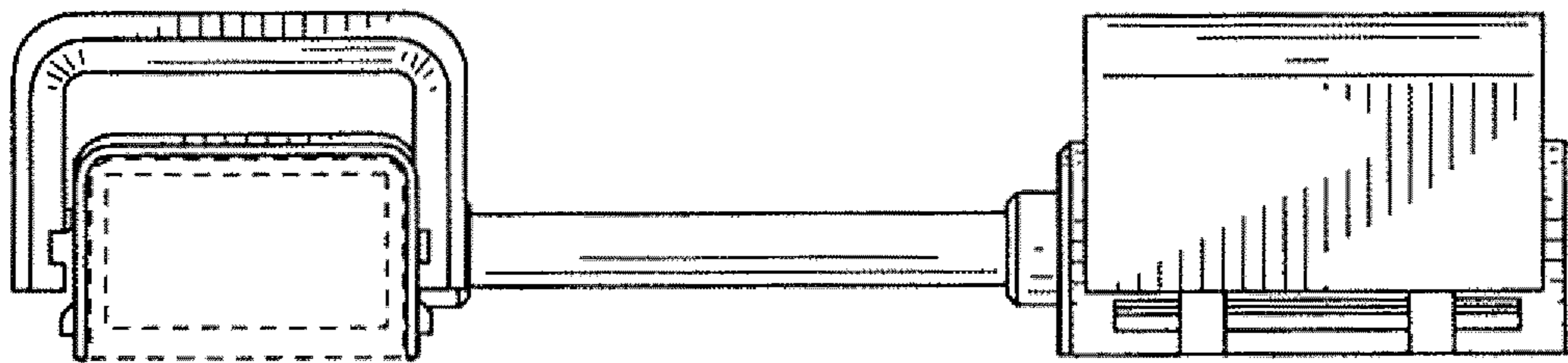
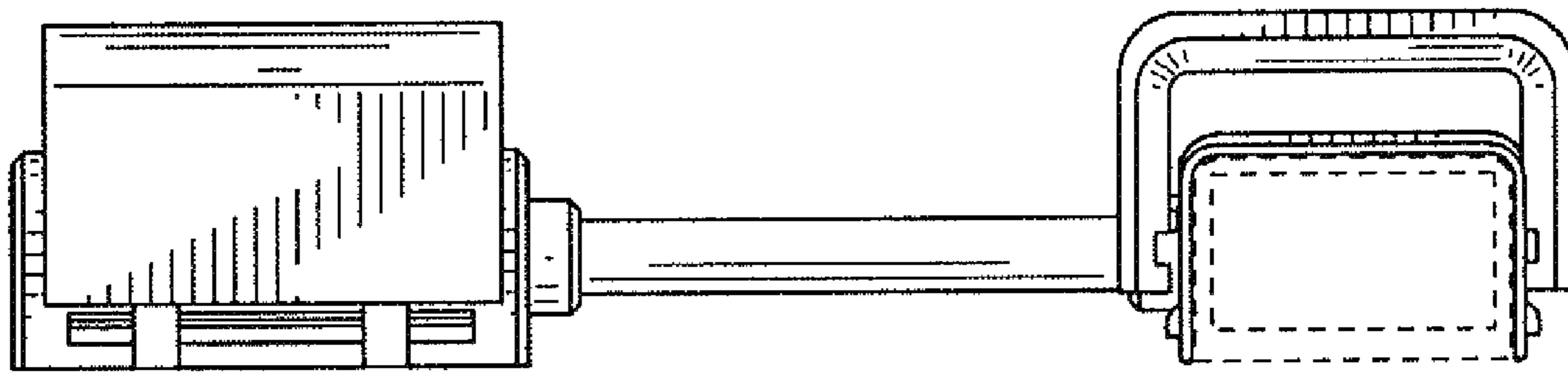


FIG. 2



**FIG. 3**



**FIG. 4**

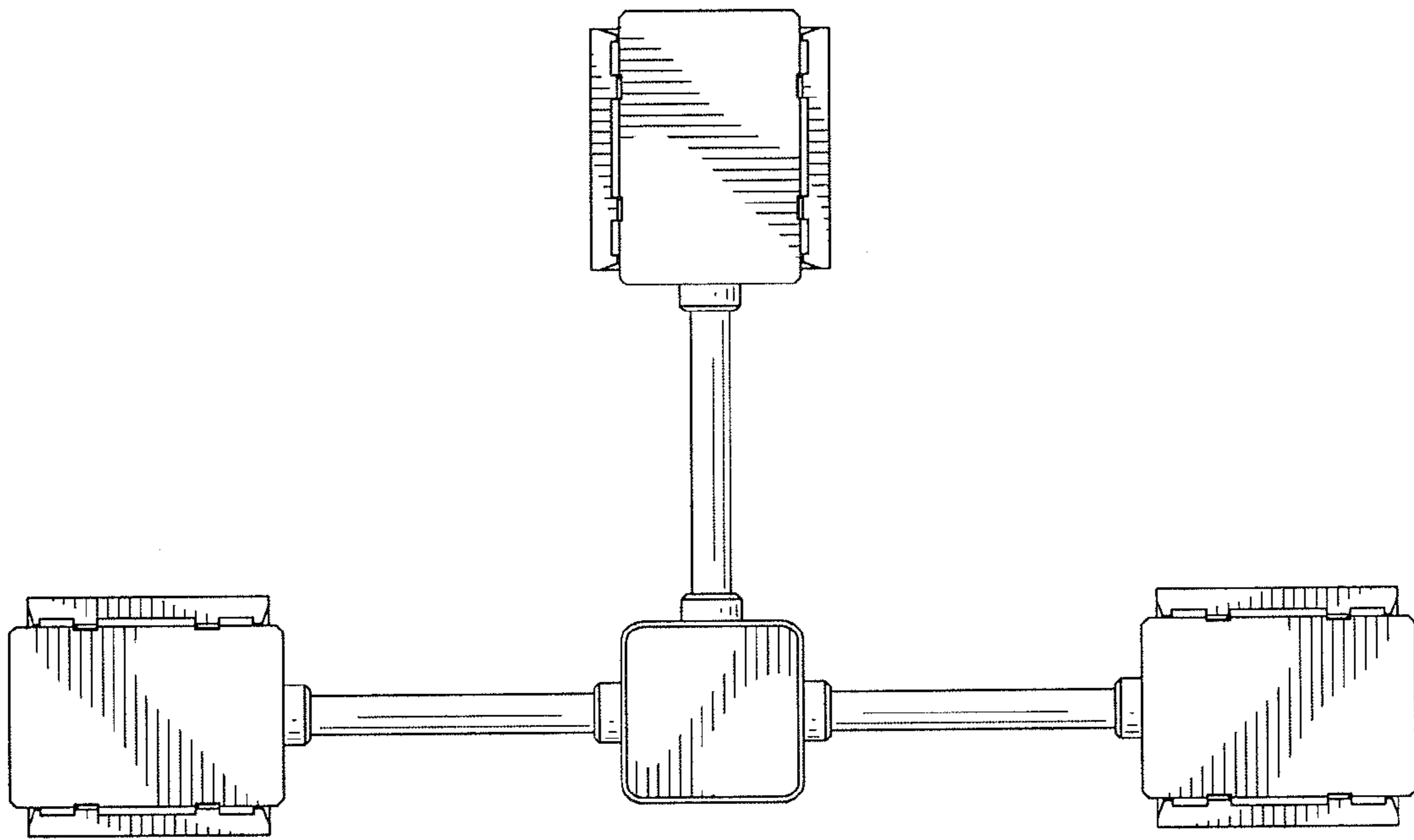


FIG. 5

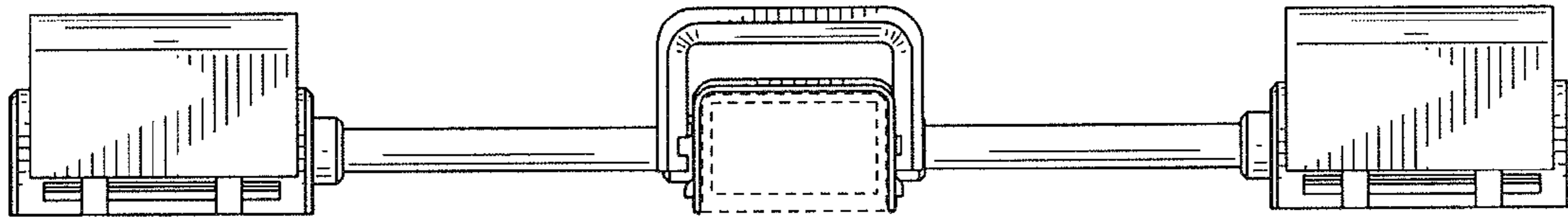


FIG. 6

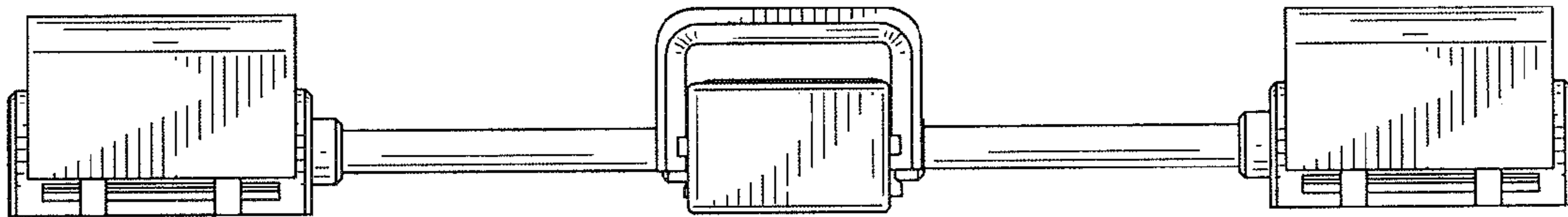


FIG. 7