



US00D665748S

(12) **United States Design Patent**
Baker et al.

(10) **Patent No.:** **US D665,748 S**

(45) **Date of Patent:** **** Aug. 21, 2012**

(54) **FINGER PROOF, KEYED POWER CONNECTOR**

(75) Inventors: **Craig H Baker**, Shrewsbury, MA (US);
Nathan T Smith, Worcester, MA (US)

(73) Assignee: **Anderson Power Products**, Sterling, MA (US)

(**) Term: **14 Years**

(21) Appl. No.: **29/377,936**

(22) Filed: **Oct. 28, 2010**

(51) **LOC (9) Cl.** **13-03**

(52) **U.S. Cl.** **D13/133**

(58) **Field of Classification Search** D13/133,
D13/146, 147, 154, 184, 199; 439/180, 252,
439/278, 280, 290–293, 374, 378, 483, 488–491,
439/529, 533, 592–593, 660, 680, 892, 894
See application file for complete search history.

(56) **References Cited**

U.S. PATENT DOCUMENTS

D208,551 S * 9/1967 Geis, Jr. D13/133
3,654,586 A * 4/1972 Winkler 439/295
D512,687 S * 12/2005 Baker et al. D13/133
D519,924 S * 5/2006 Baker et al. D13/133

D576,557 S * 9/2008 Hariharesan et al. D13/154
D578,065 S * 10/2008 Baker et al. D13/133
D612,807 S * 3/2010 Mancini et al. D13/133
D615,039 S * 5/2010 Mancini et al. D13/133
D642,528 S * 8/2011 Gravolin et al. D13/133

* cited by examiner

Primary Examiner — Daniel Bui

(74) *Attorney, Agent, or Firm* — Maine Cernota & Rardin

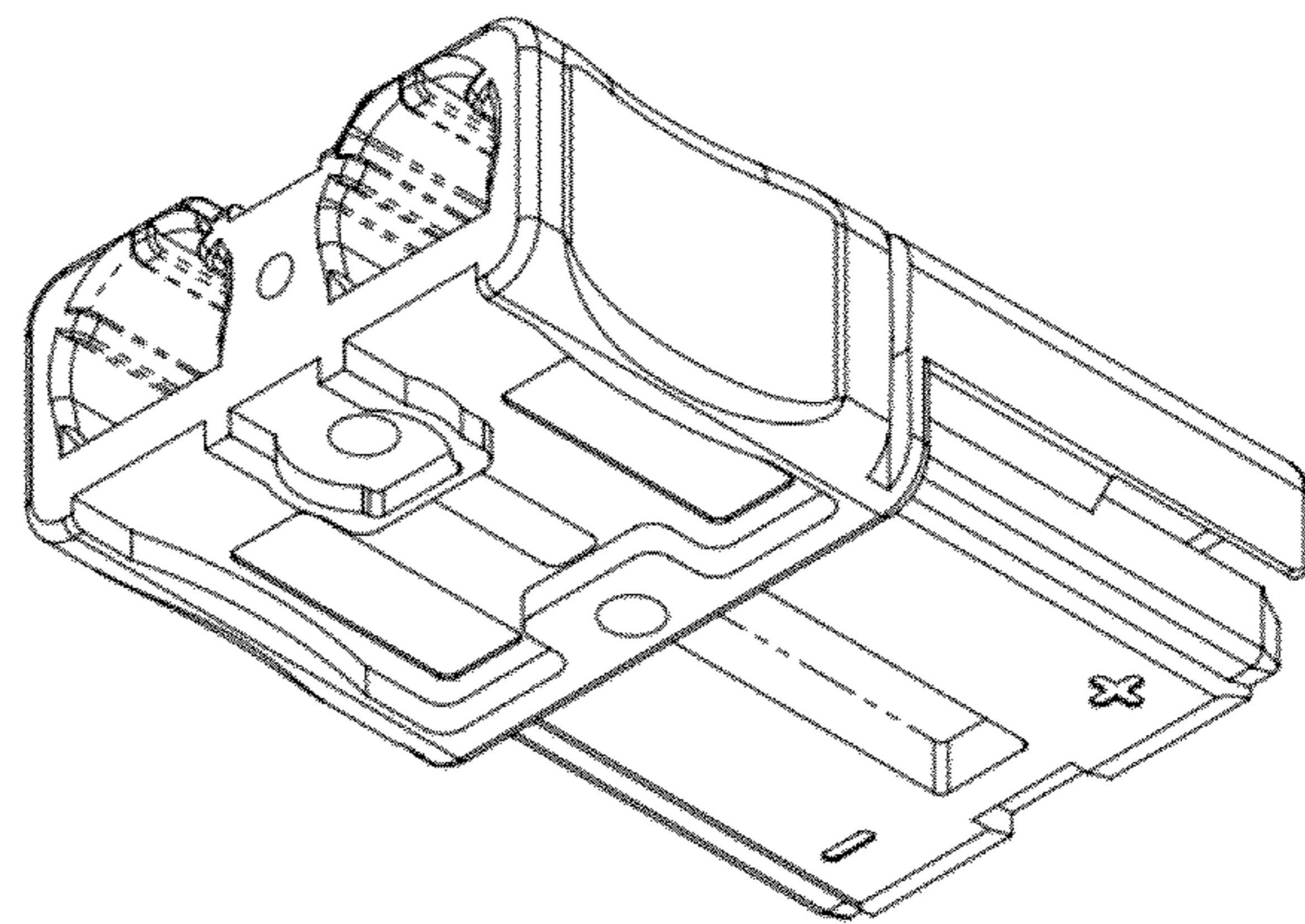
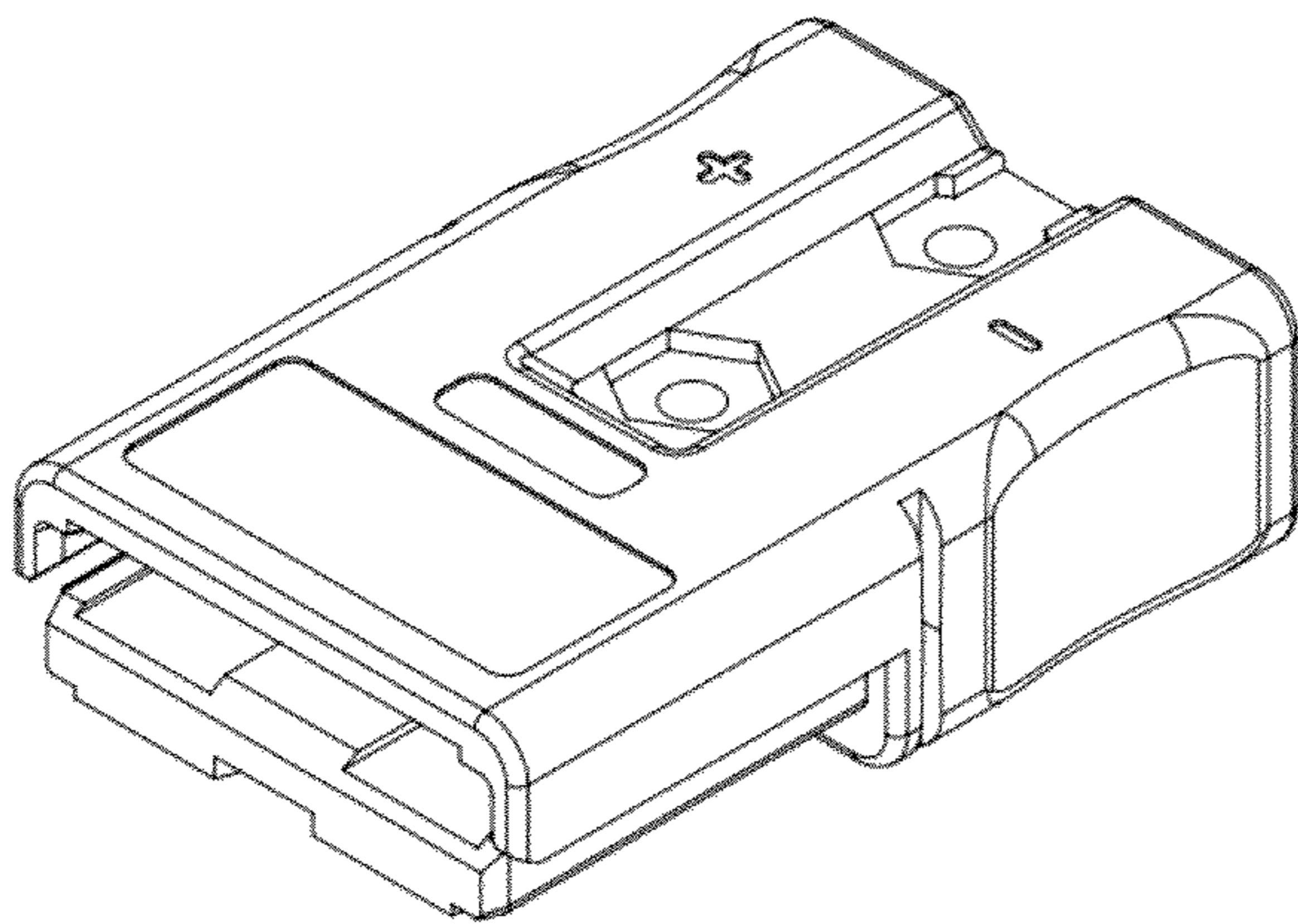
(57) **CLAIM**

The ornamental design for a finger proof, keyed power connector, as shown and described.

DESCRIPTION

FIG. 1 is a front view of the finger proof, keyed power connector showing our new design;
FIG. 2 is a back view thereof;
FIG. 3 is a top view thereof;
FIG. 4 is a bottom view thereof;
FIG. 5 is a left side view thereof;
FIG. 6 is a right side view thereof;
FIG. 7 is a front, top perspective view thereof; and,
FIG. 8 is a back, bottom perspective view thereof.
The broken line in the figure drawings is included for the purpose of illustrating environment and forms no part of the claimed design.

1 Claim, 8 Drawing Sheets



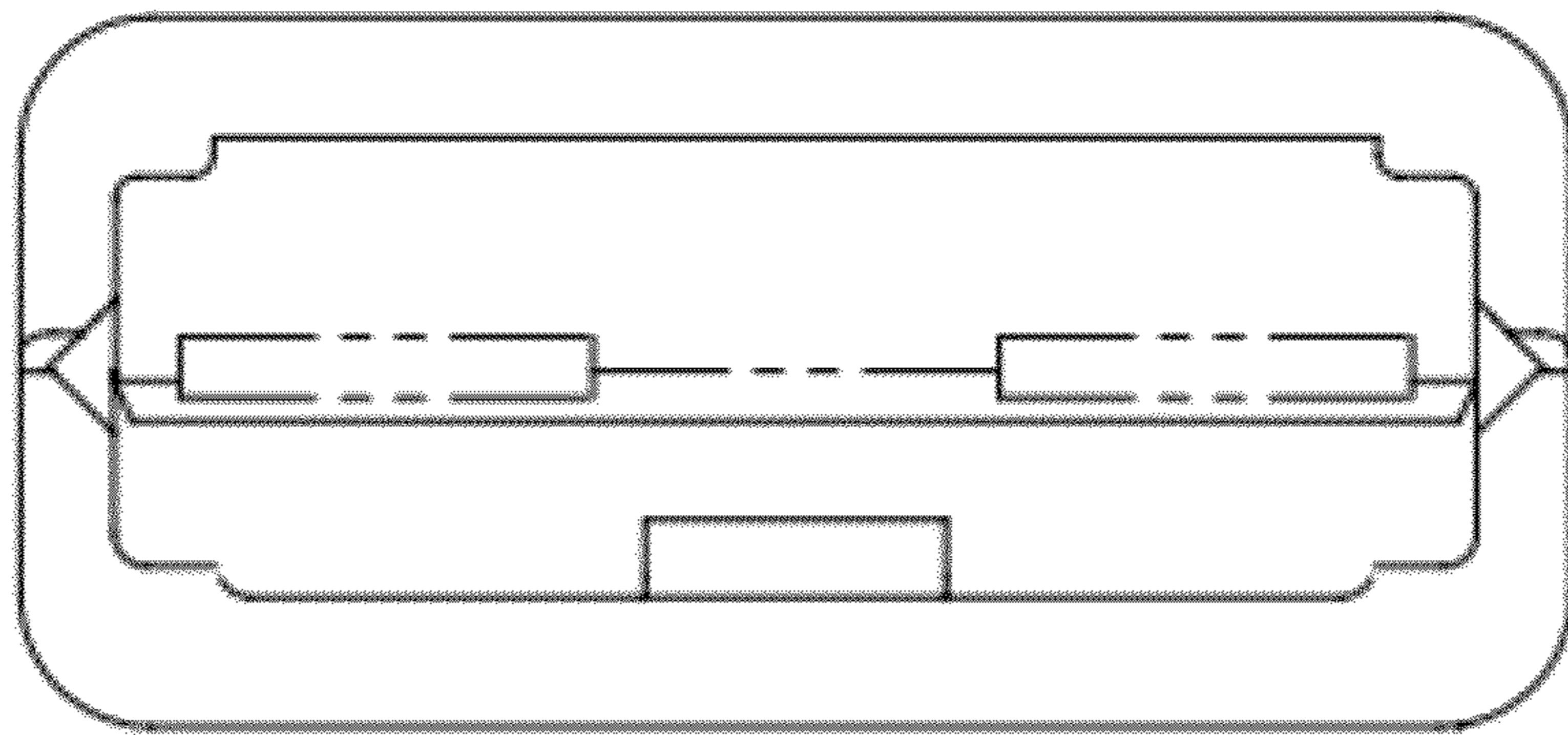


FIG. 1

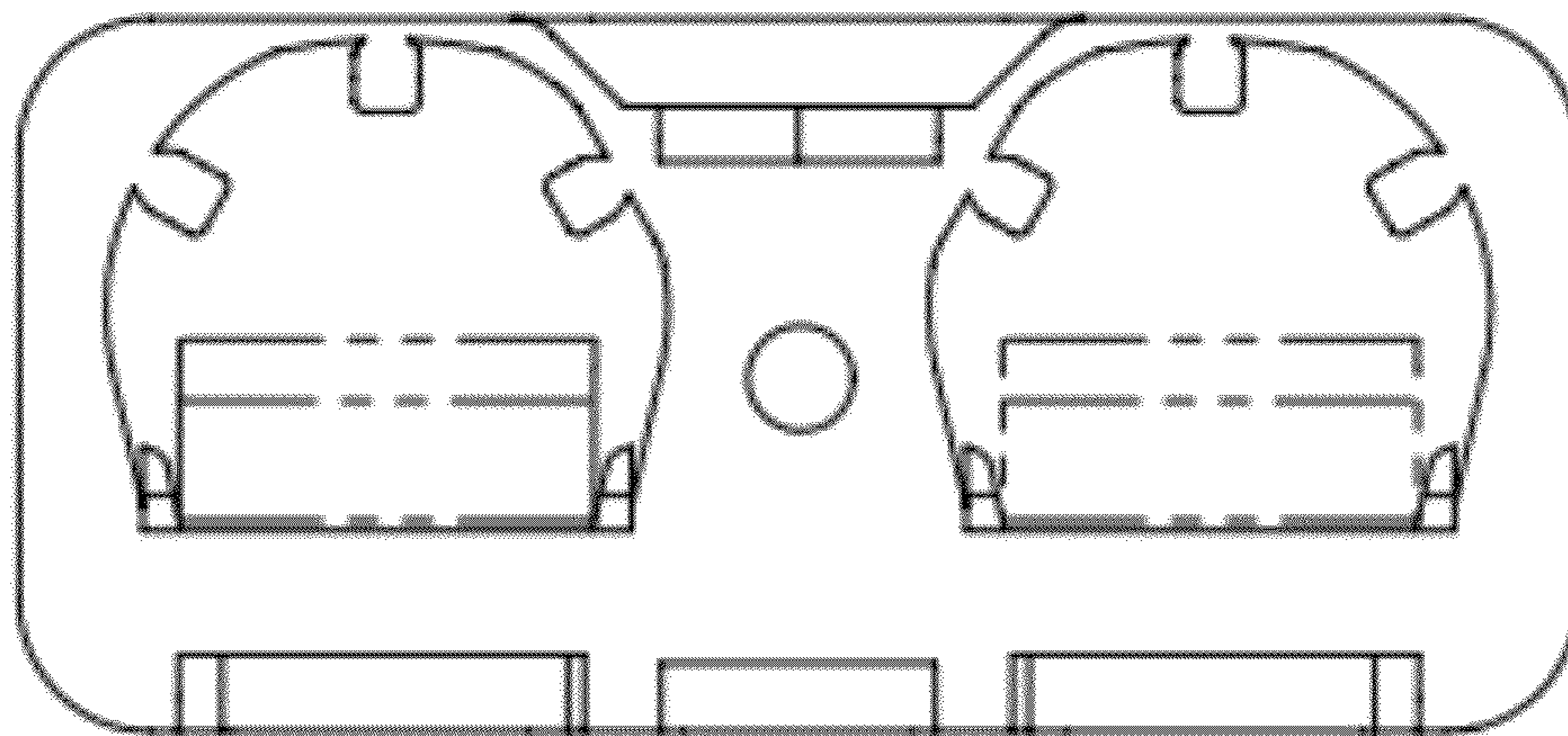


FIG. 2

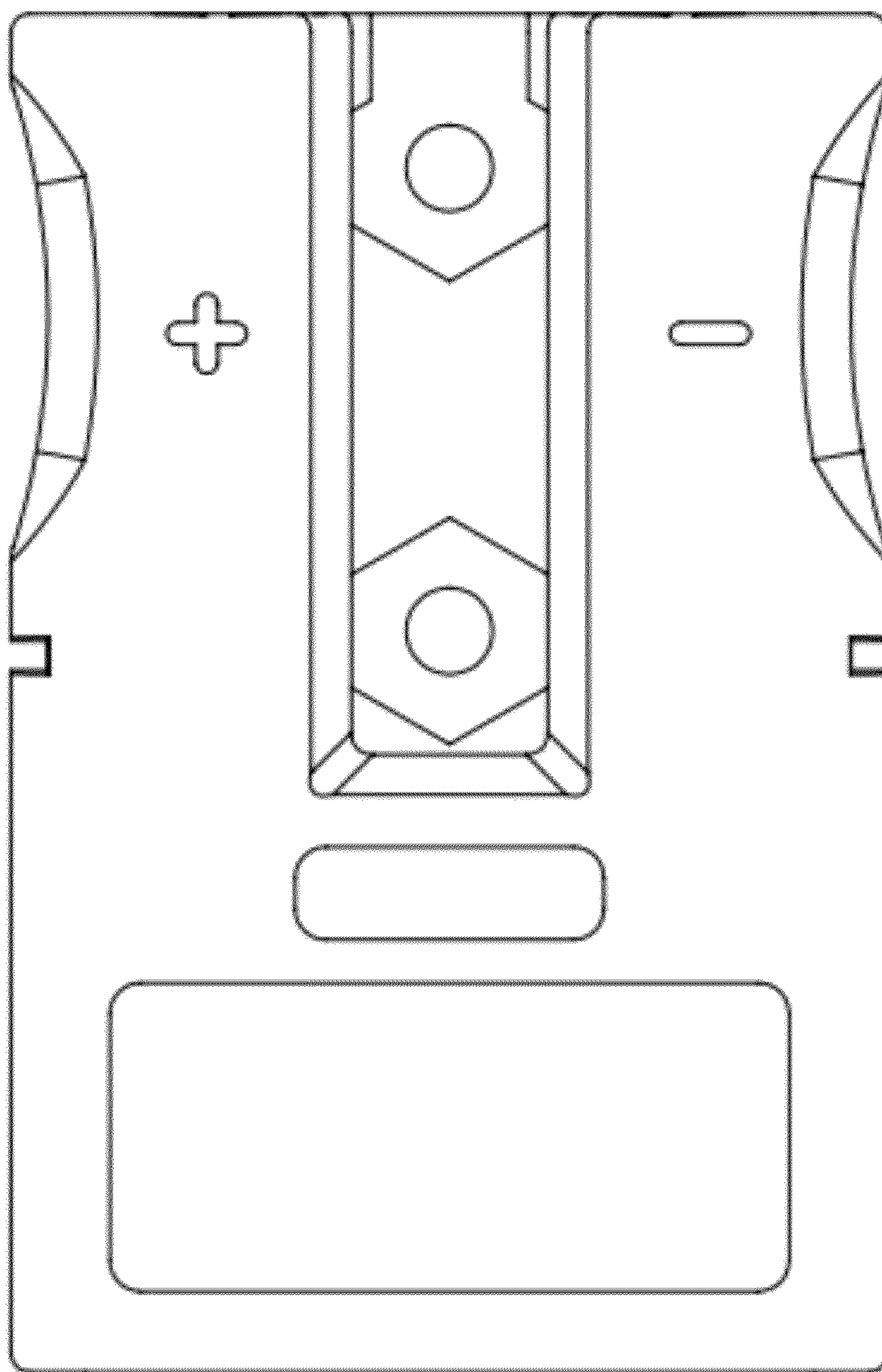


FIG. 3

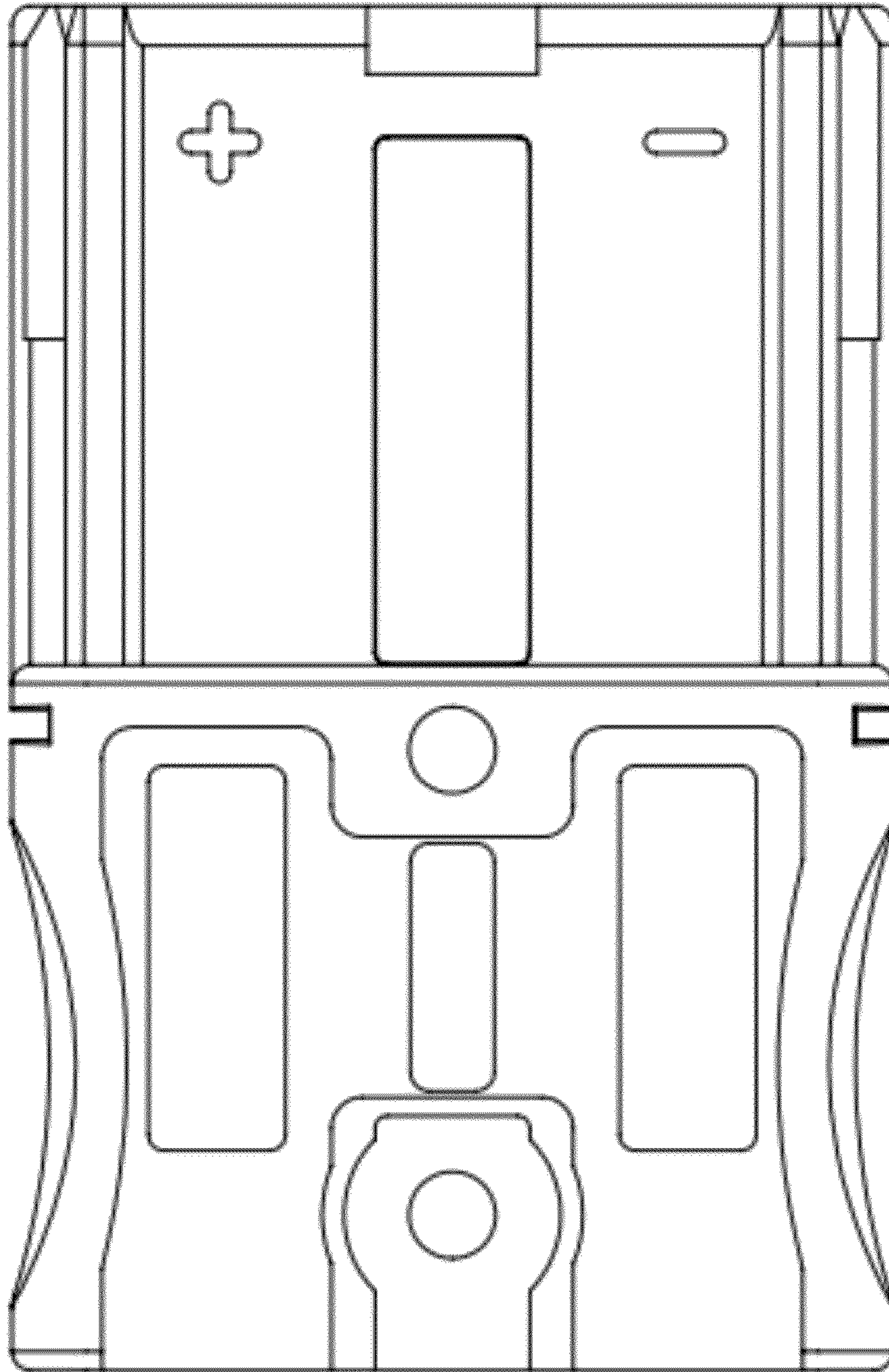


FIG. 4

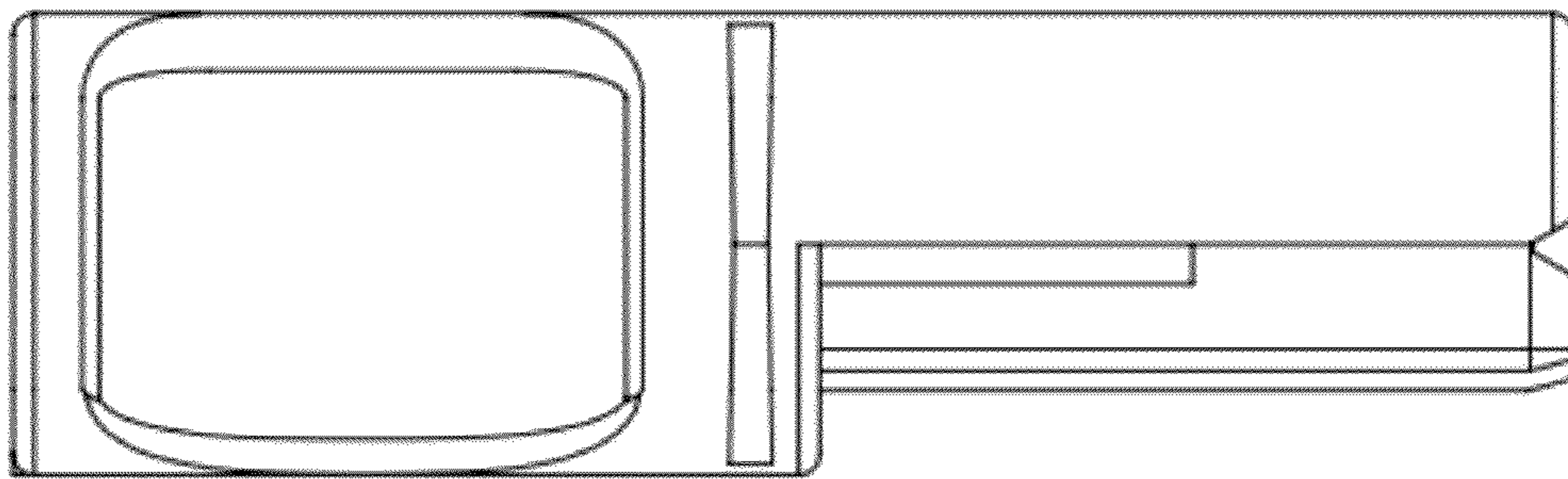


FIG. 5

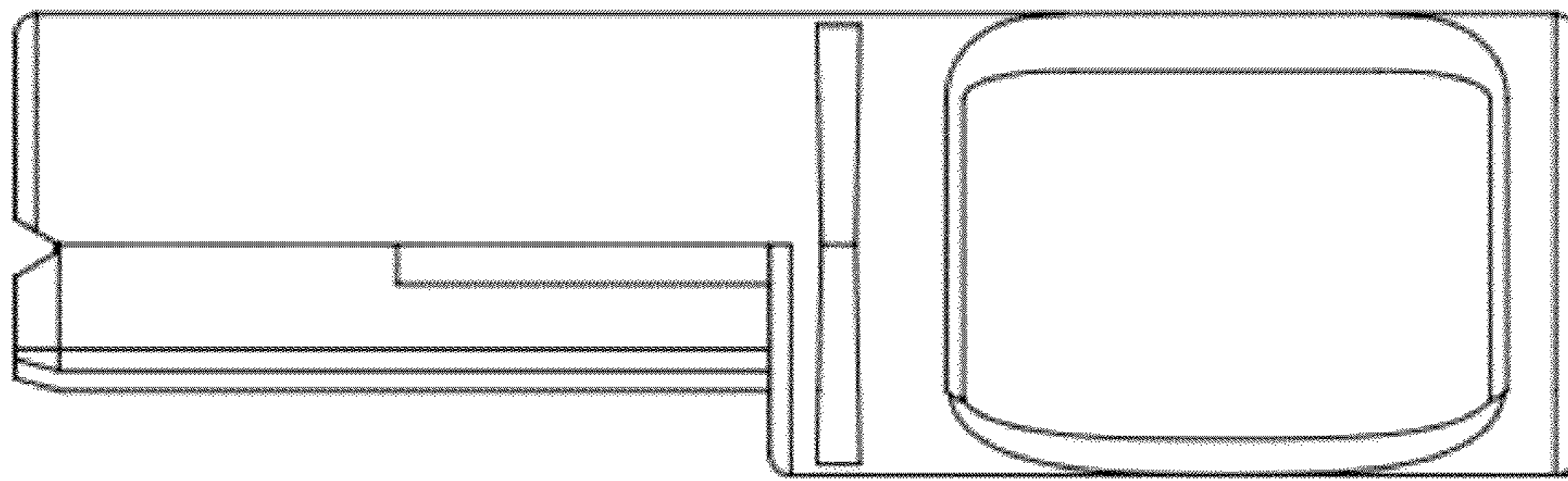


FIG. 6

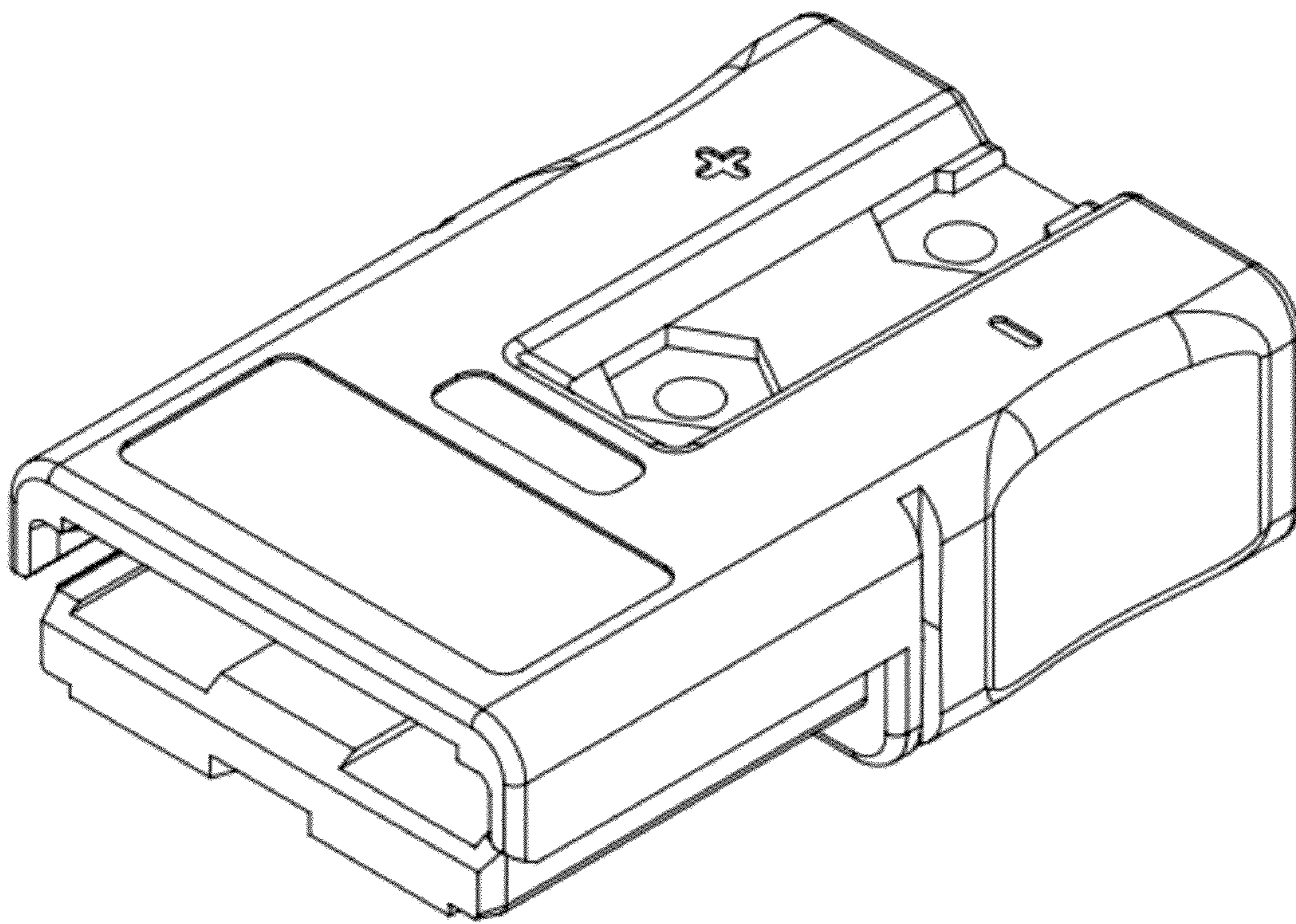


FIG. 7

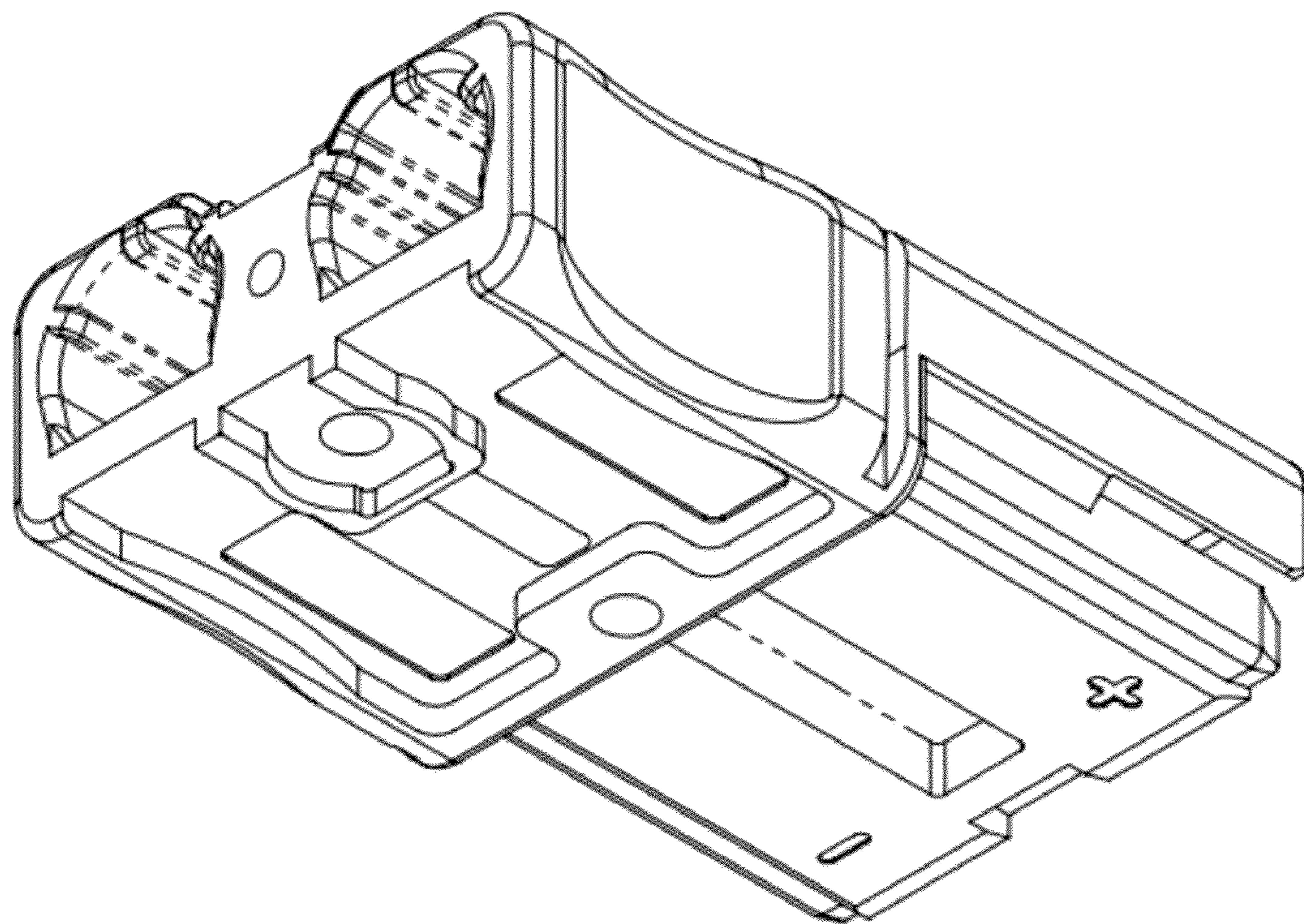


FIG. 8