



US00D665747S

(12) **United States Design Patent**
Takita et al.

(10) **Patent No.:** **US D665,747 S**

(45) **Date of Patent:** **** Aug. 21, 2012**

(54) **FERRULE FOR OPTICAL FIBER**

(75) Inventors: **Kyoji Takita**, Tokyo (JP); **Hiroshi Taniguchi**, Tokyo (JP); **Takashi Noshiro**, Tokyo (JP); **Yasuhiro Hyakutake**, Tokyo (JP); **Shinichi Takeda**, Tokyo (JP)

(73) Assignee: **Adamant Kogyo Co., Ltd.**, Tokyo (JP)

(**) Term: **14 Years**

(21) Appl. No.: **29/371,876**

(22) Filed: **Nov. 22, 2011**

(30) **Foreign Application Priority Data**

May 26, 2011 (JP) D2011-011781

(51) **LOC (9) Cl.** **13-03**

(52) **U.S. Cl.** **D13/133**

(58) **Field of Classification Search** D13/133,
D13/154, 184, 199; 385/53, 55, 56, 72, 76,
385/78, 84; 439/180, 246, 252, 374, 378,
439/379, 380, 381, 578, 668, 892, 894

See application file for complete search history.

(56) **References Cited**

U.S. PATENT DOCUMENTS

D118,697	S	*	1/1940	Gallagher	D8/396
5,015,207	A	*	5/1991	Koepke	439/886
D319,217	S	*	8/1991	Fujioka	D13/199
5,083,928	A	*	1/1992	Aikens et al.	439/82
5,122,075	A	*	6/1992	Kile	439/329
D343,163	S	*	1/1994	Slagle et al.	D13/154
5,781,674	A	*	7/1998	Asai	385/78
D641,319	S	*	7/2011	Yamamoto et al.	D13/133
D649,513	S	*	11/2011	Wu	D13/133

* cited by examiner

Primary Examiner — Daniel Bui

(74) *Attorney, Agent, or Firm* — Manabu Kanesaka

(57) **CLAIM**

The ornamental design for a ferrule for optical fiber, as shown and described.

DESCRIPTION

FIG. 1 is a front elevation view of a ferrule for optical fiber showing our new design, which is identical to the rear elevation view, the top plan view and the bottom plan view; FIG. 2 is a right side elevation view thereof; FIG. 3 is a left side elevation view thereof; FIG. 4 is a sectional view thereof, taken along line “4-4” in FIG. 3; FIG. 5 is a front, top and left side perspective view thereof; and, FIG. 6 is a front, top and right side perspective view thereof.

1 Claim, 6 Drawing Sheets

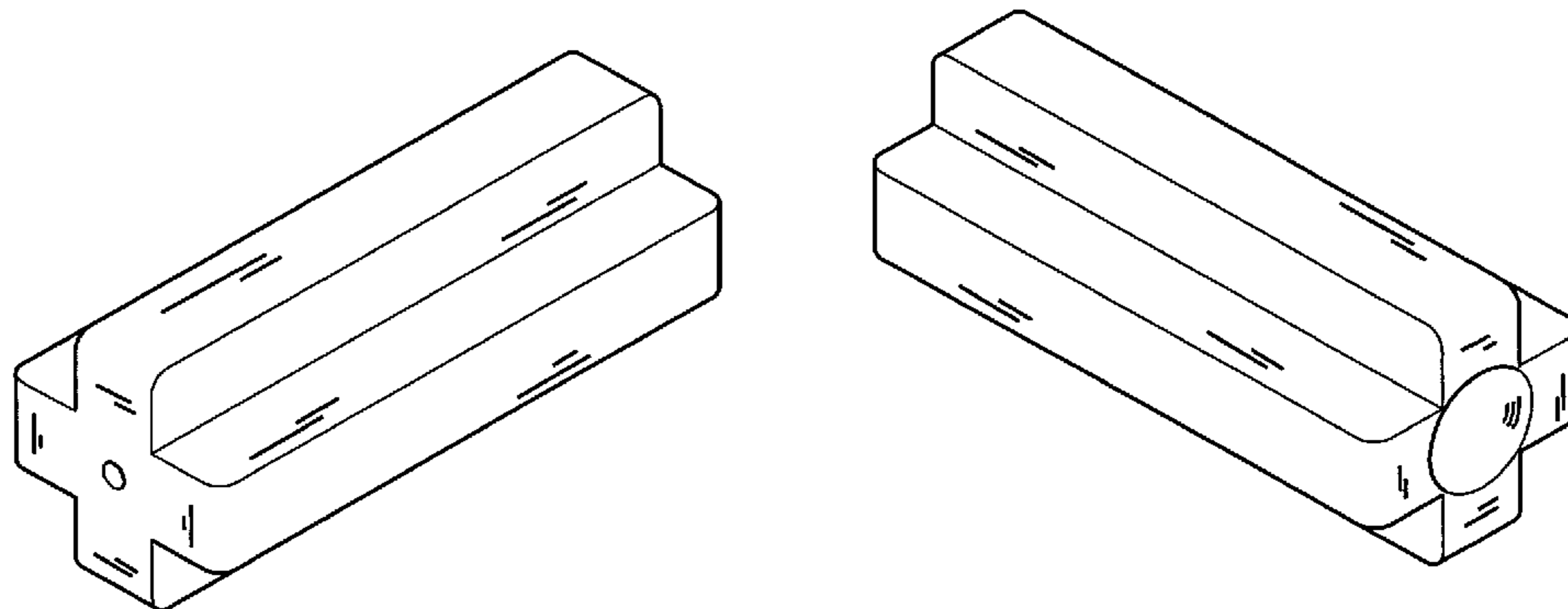


Fig. 1

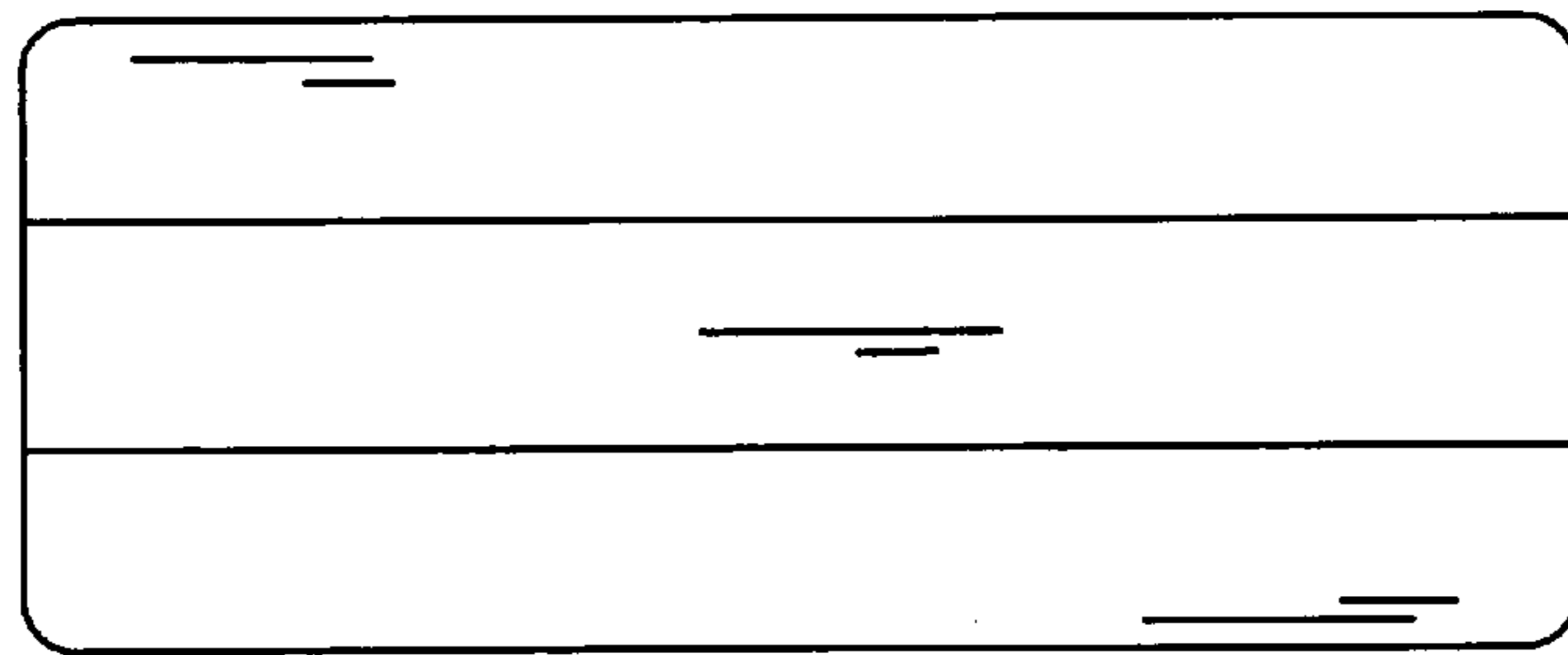


Fig. 2

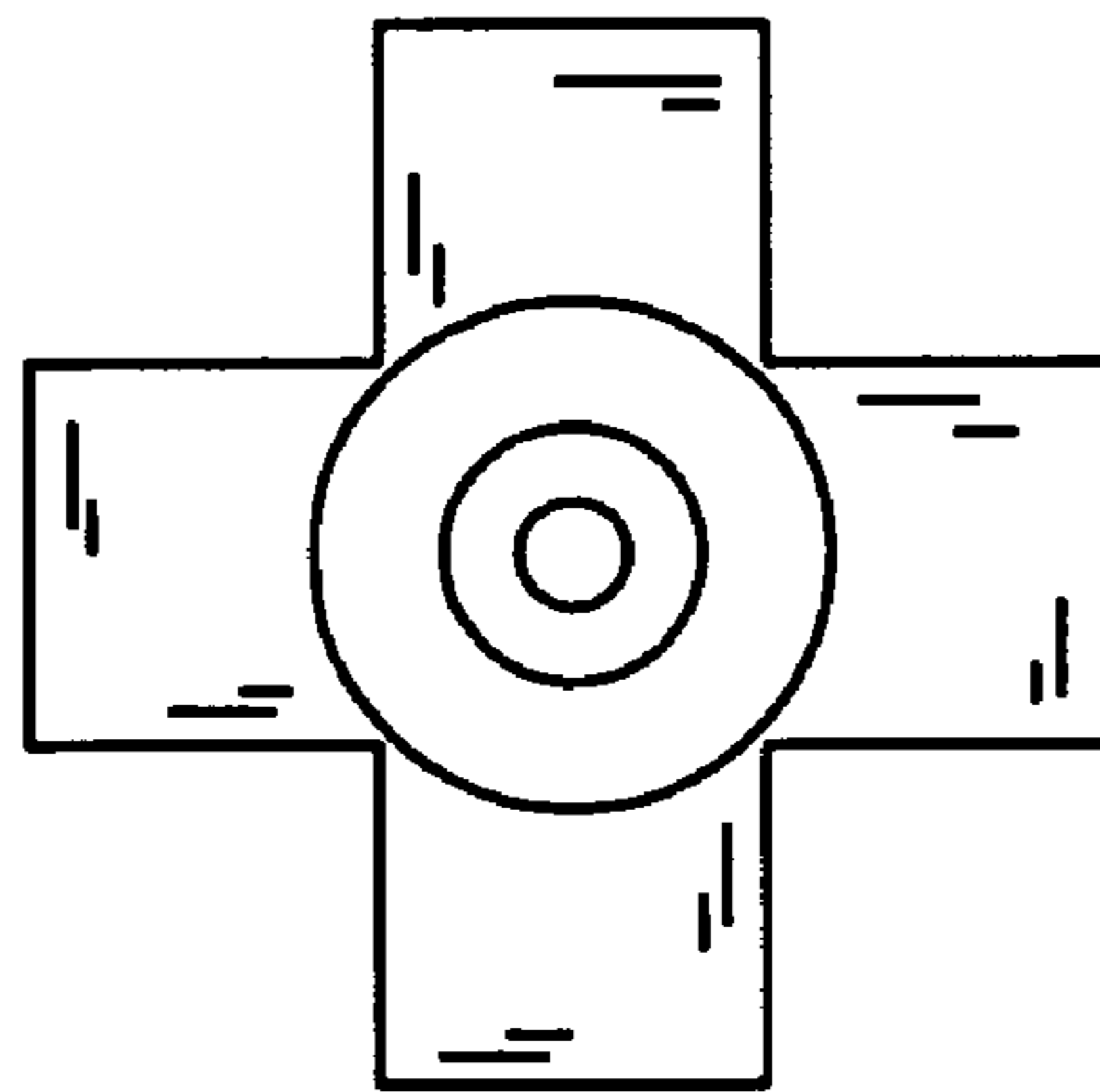


Fig. 3

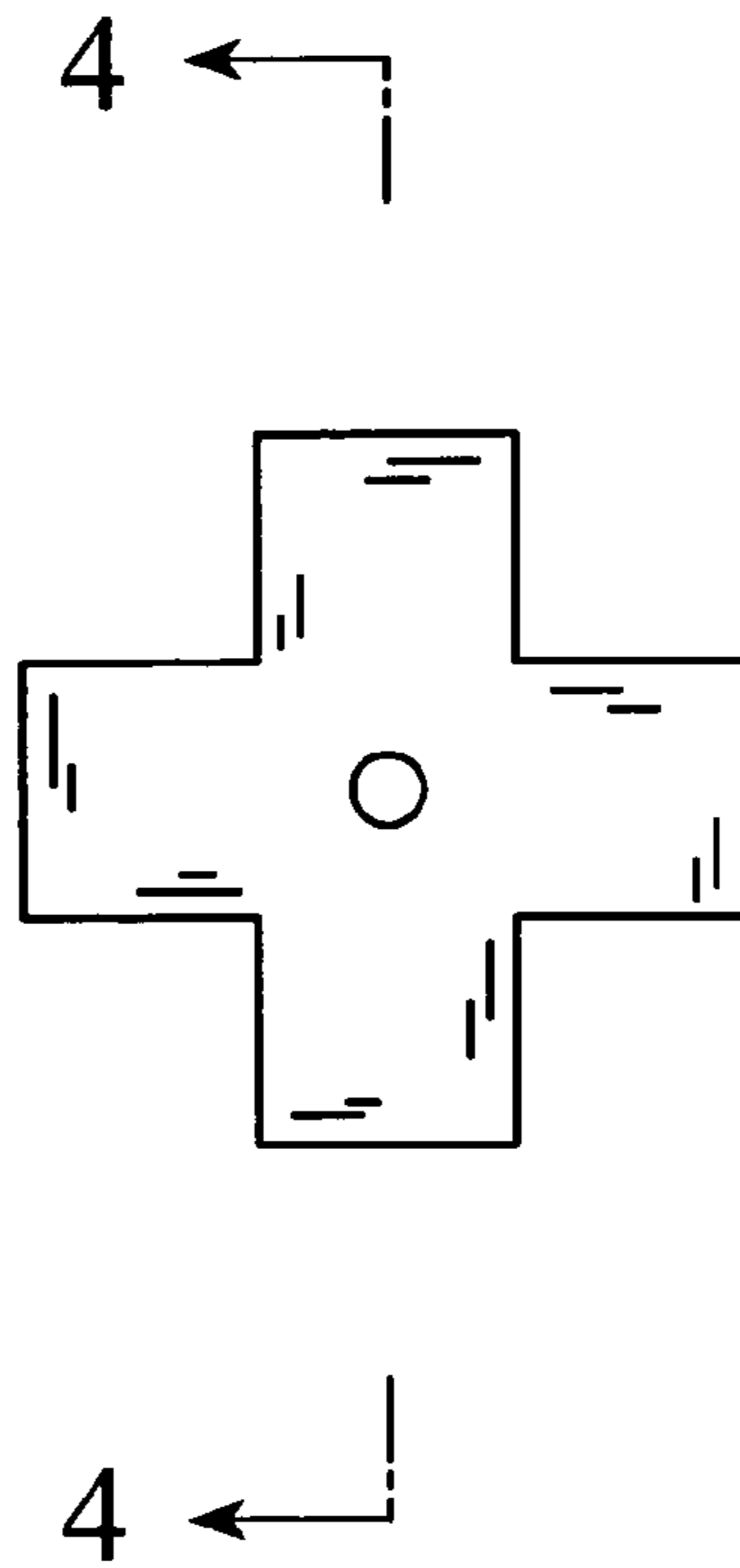


Fig. 4

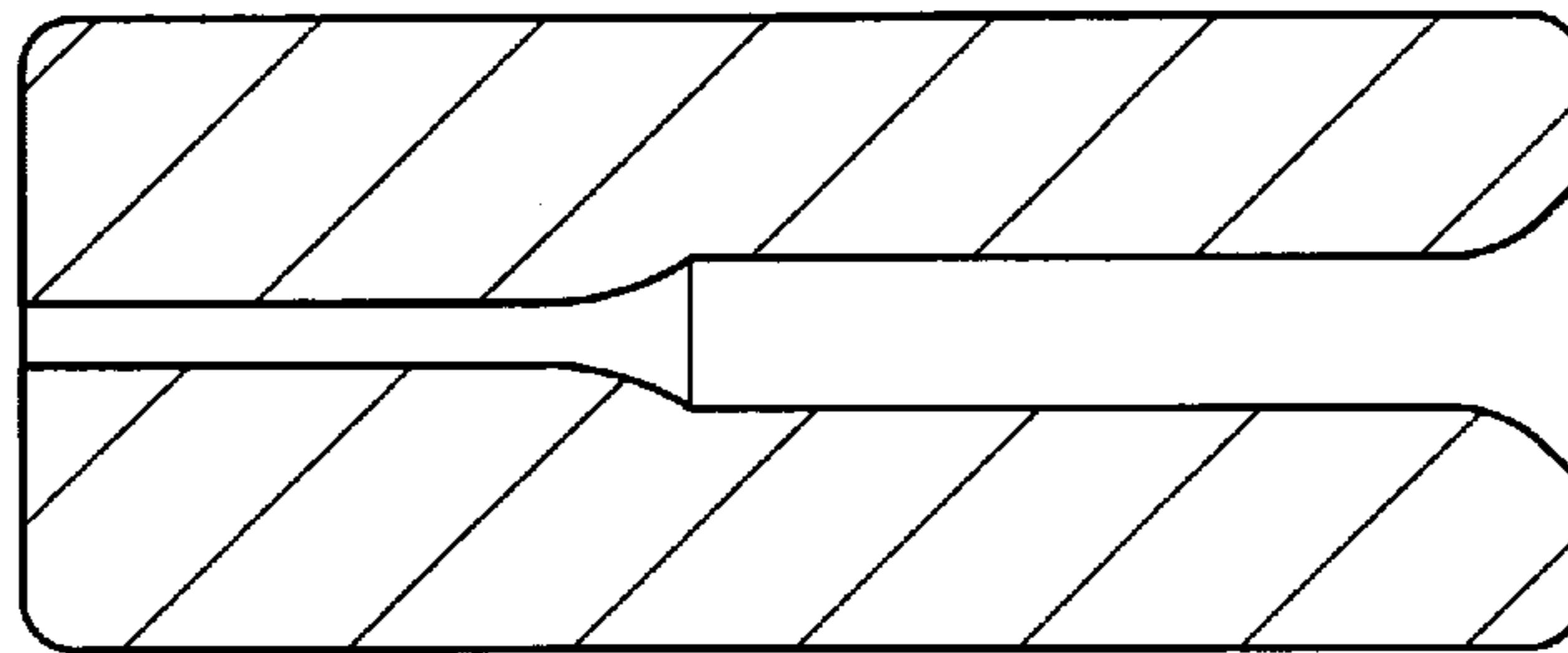


Fig. 5

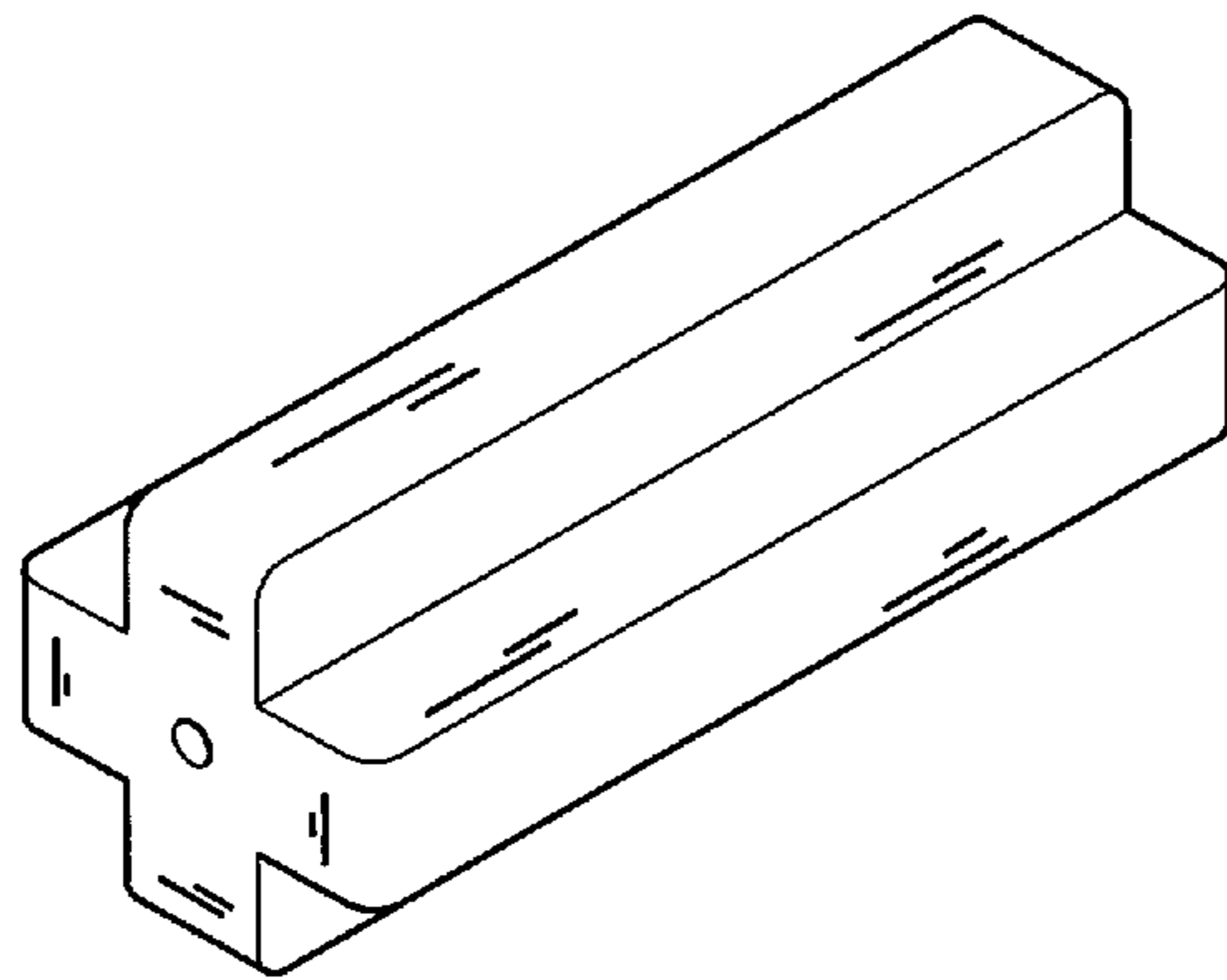


Fig. 6

