



US00D665743S

(12) **United States Design Patent**
Hinkel

(10) **Patent No.:** **US D665,743 S**

(45) **Date of Patent:** **** Aug. 21, 2012**

(54) **SOCKET**

(75) Inventor: **Ralf Hinkel**, Höringen (DE)

(73) Assignee: **Mobotix AG**, Winnweiler (DE)

(**) Term: **14 Years**

(21) Appl. No.: **29/358,861**

(22) Filed: **Apr. 1, 2010**

(30) **Foreign Application Priority Data**

Oct. 1, 2009 (DE) 40 2009 004 774

(51) **LOC (9) Cl.** **13-03**

(52) **U.S. Cl.** **D13/133**

(58) **Field of Classification Search** D13/133,
D13/152, 154, 155, 156, 184, 199; D14/140,
D14/140.2, 140.5, 142, 149; 439/180, 246,
439/278, 374, 381, 527, 529, 533, 892, 894
See application file for complete search history.

(56) **References Cited**

U.S. PATENT DOCUMENTS

| | | | |
|---------------|---------|------------------|---------|
| 3,106,602 A * | 10/1963 | Hartz | 174/60 |
| 3,417,192 A * | 12/1968 | Elm | 174/59 |
| D309,605 S * | 7/1990 | Fortune et al. | D14/140 |
| 5,183,967 A * | 2/1993 | Lin | 174/59 |
| D342,235 S * | 12/1993 | Shotey | D13/156 |
| D471,160 S * | 3/2003 | Mason | D13/156 |
| D509,214 S * | 9/2005 | Chung | D14/240 |
| D624,915 S * | 10/2010 | Ferreira Sanchez | D14/385 |

* cited by examiner

Primary Examiner — Daniel Bui

(74) *Attorney, Agent, or Firm* — Oblon, Spivak,
McClelland, Maier & Neustadt, L.L.P.

(57) **CLAIM**

The ornamental design for a socket, as shown and described.

DESCRIPTION

FIG. 1 is a front elevational view of a first embodiment of a socket showing my new design;

FIG. 2 is a top plan view thereof with a rear cover removed; FIG. 3 is a right side elevational view thereof with the rear cover removed;

FIG. 4 is a right side elevational view thereof with the rear cover in place, the left side elevational view being a mirror image of the right side elevational view shown;

FIG. 5 is a top plan view thereof with the rear cover in place; FIG. 6 is a front elevational view of a second embodiment of a socket showing my new design;

FIG. 7 is a top plan view thereof with a rear cover removed; FIG. 8 is a right side elevational view thereof with the rear cover removed;

FIG. 9 is a right side elevational view thereof with the rear cover in place, the left side elevational view being a mirror image of the right side elevational view shown;

FIG. 10 is a top plan view thereof with the rear cover in place; FIG. 11 is a front elevational view of a third embodiment of a socket showing my new design;

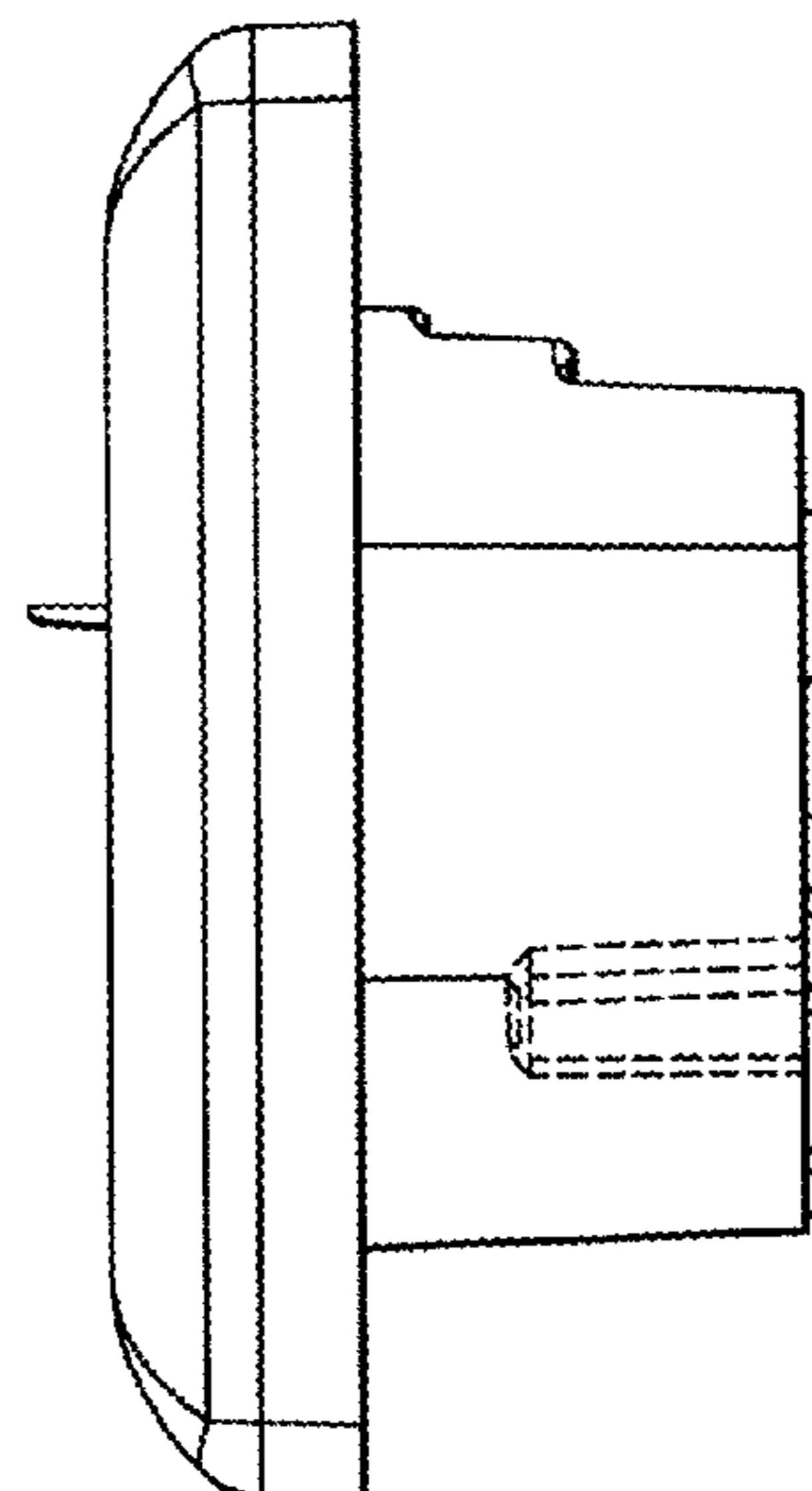
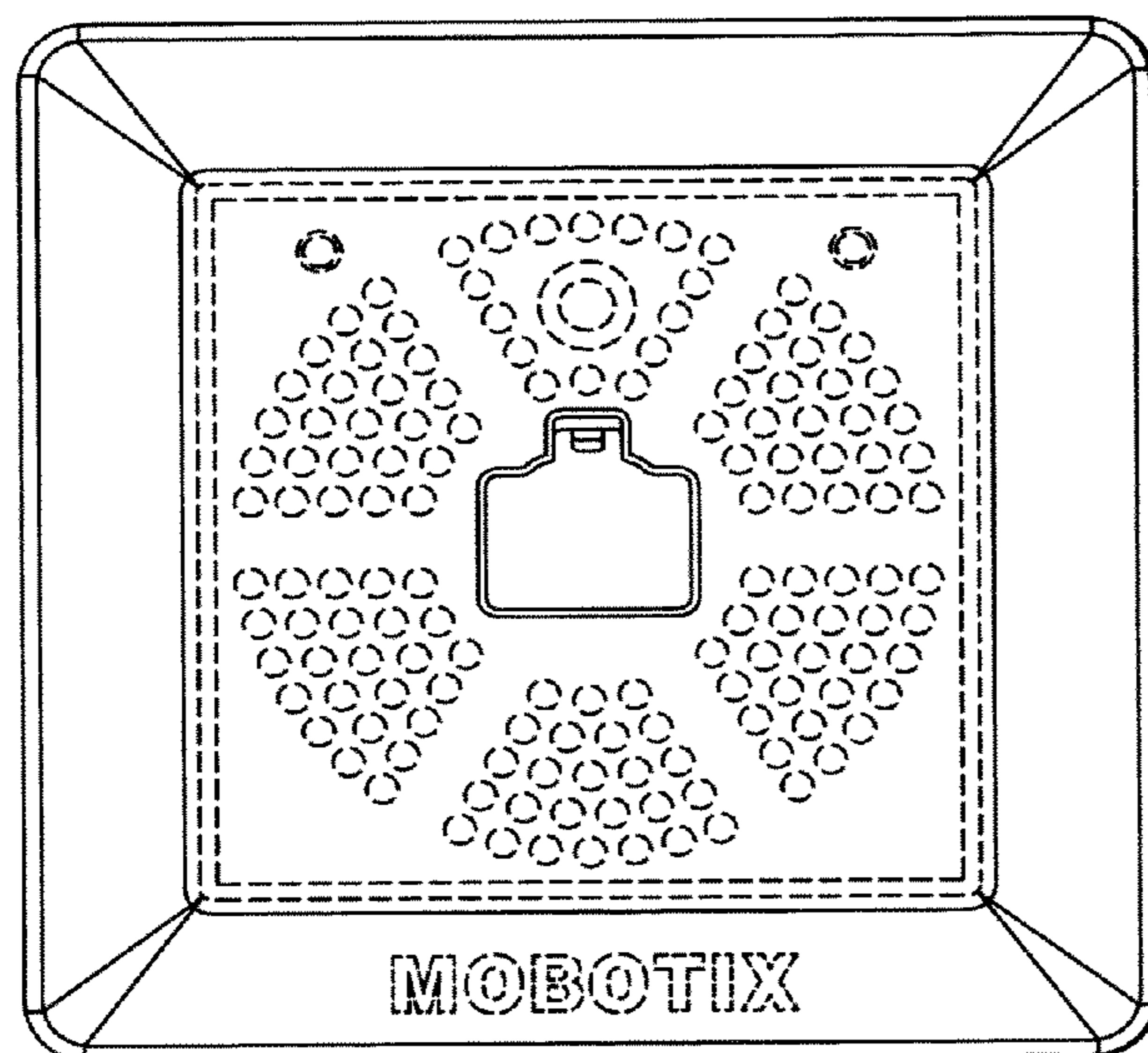
FIG. 12 is a top plan view thereof with a rear cover removed; FIG. 13 is a right side elevational view thereof with the rear cover removed;

FIG. 14 is a right side elevational view thereof with the rear cover in place, the left side elevational view being a mirror image of the right side elevational view shown; and,

FIG. 15 is a top plan view thereof with the rear cover in place. The broken line showing in the figure drawings is included for the purpose of illustrating environment and forms no part of the claimed design.

The trade mark "MOBOTIX" forming part of the claimed design is a registered trademark of MOBOTIX AG.

1 Claim, 15 Drawing Sheets



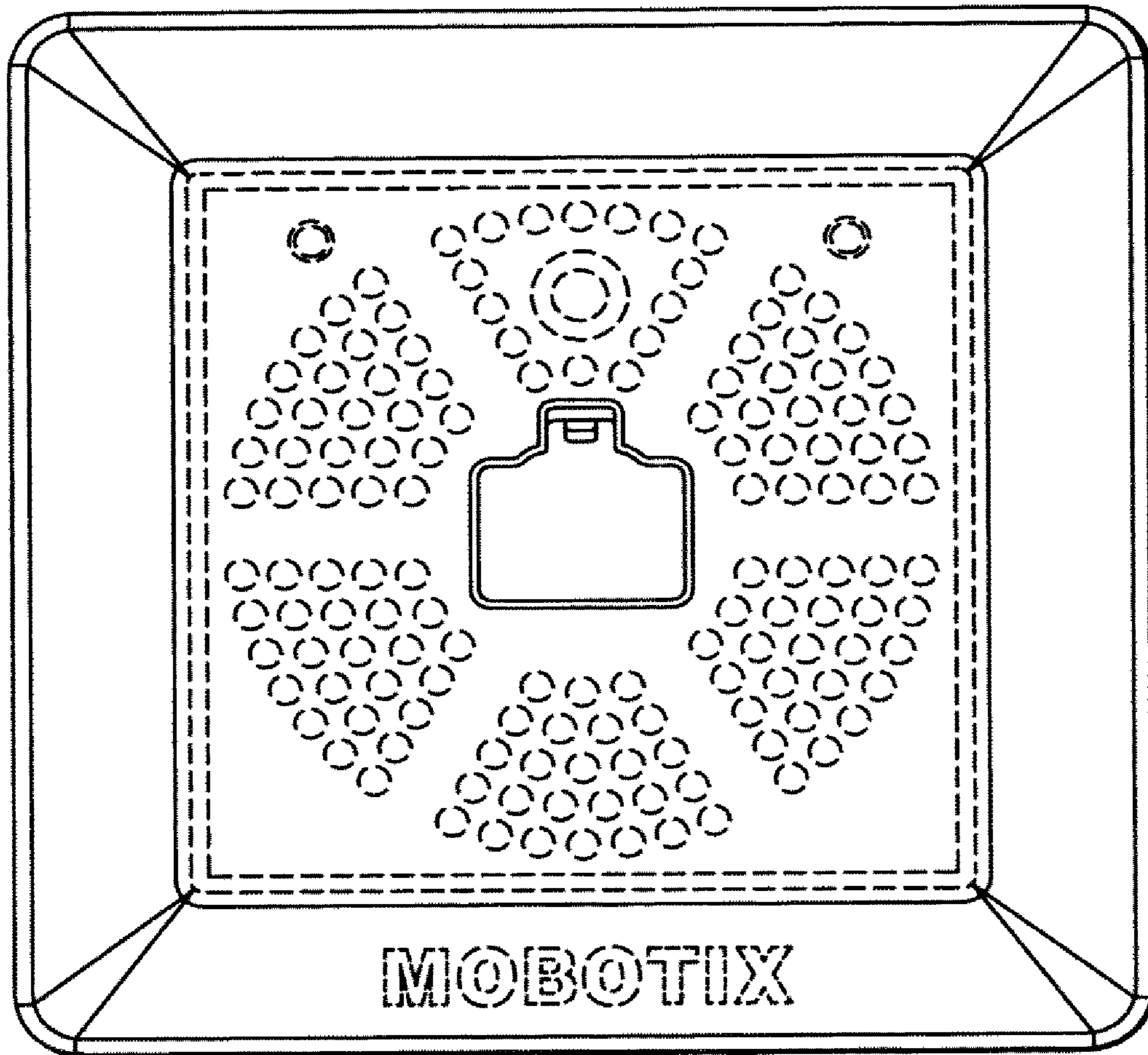


Fig. 1

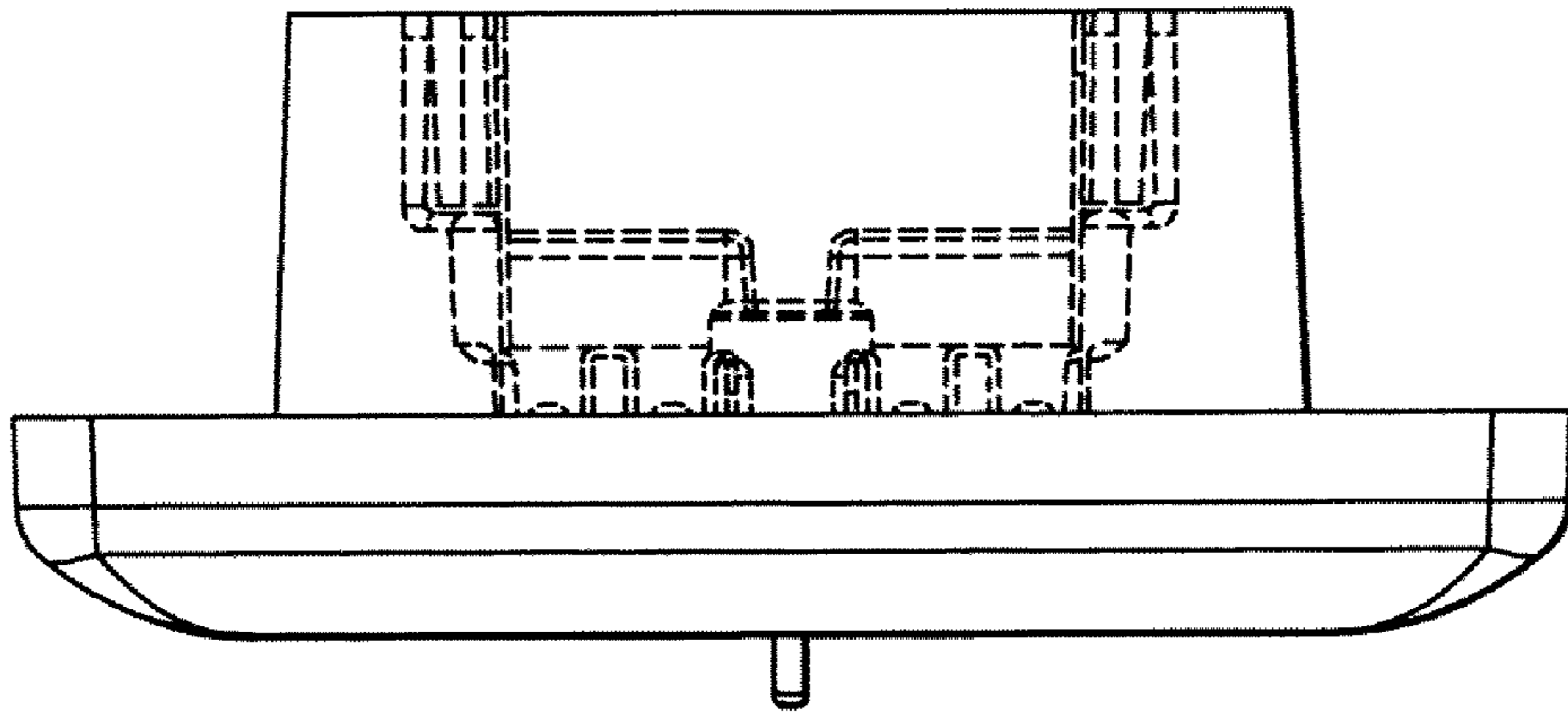


Fig. 2

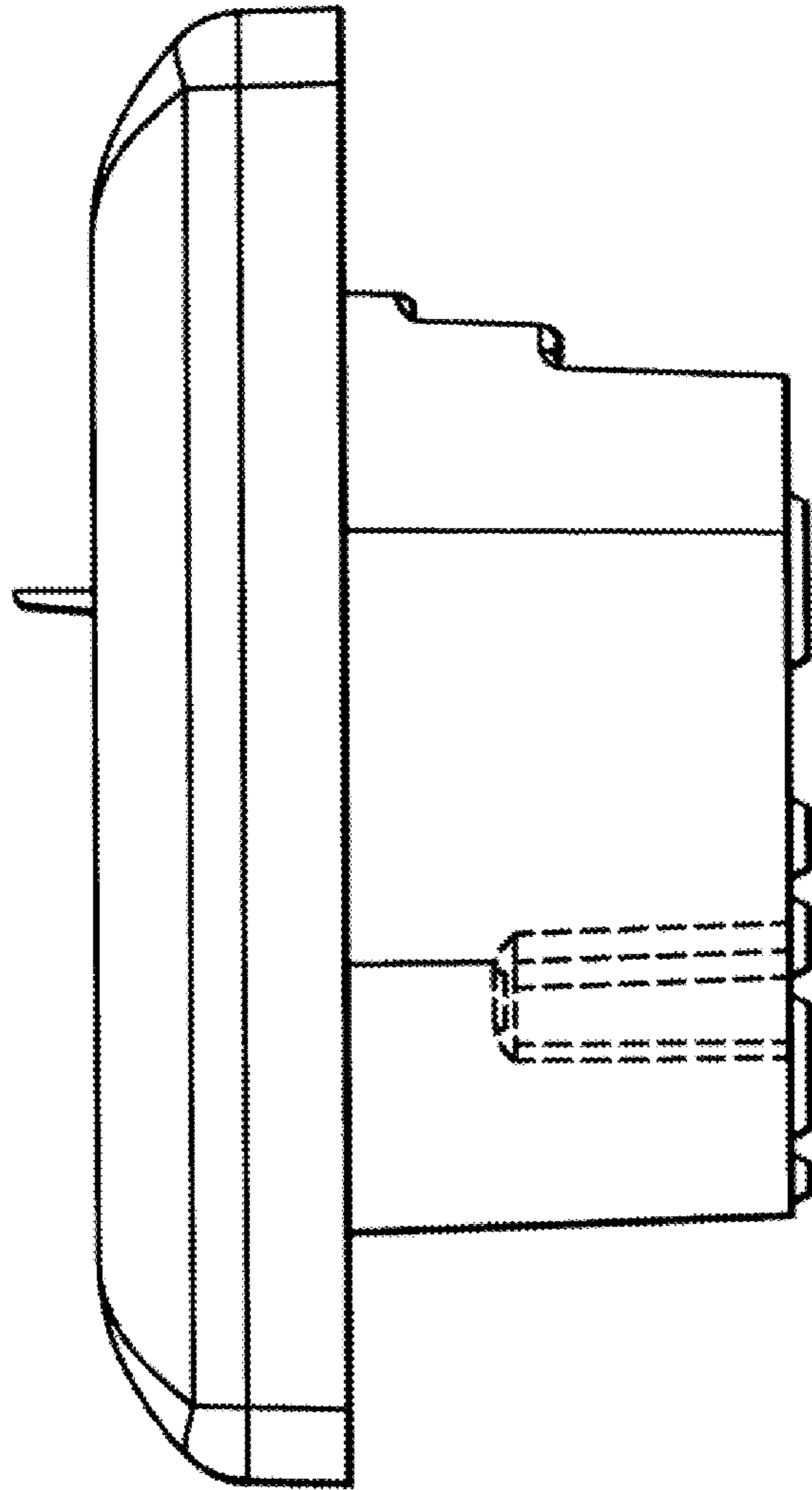


Fig. 3

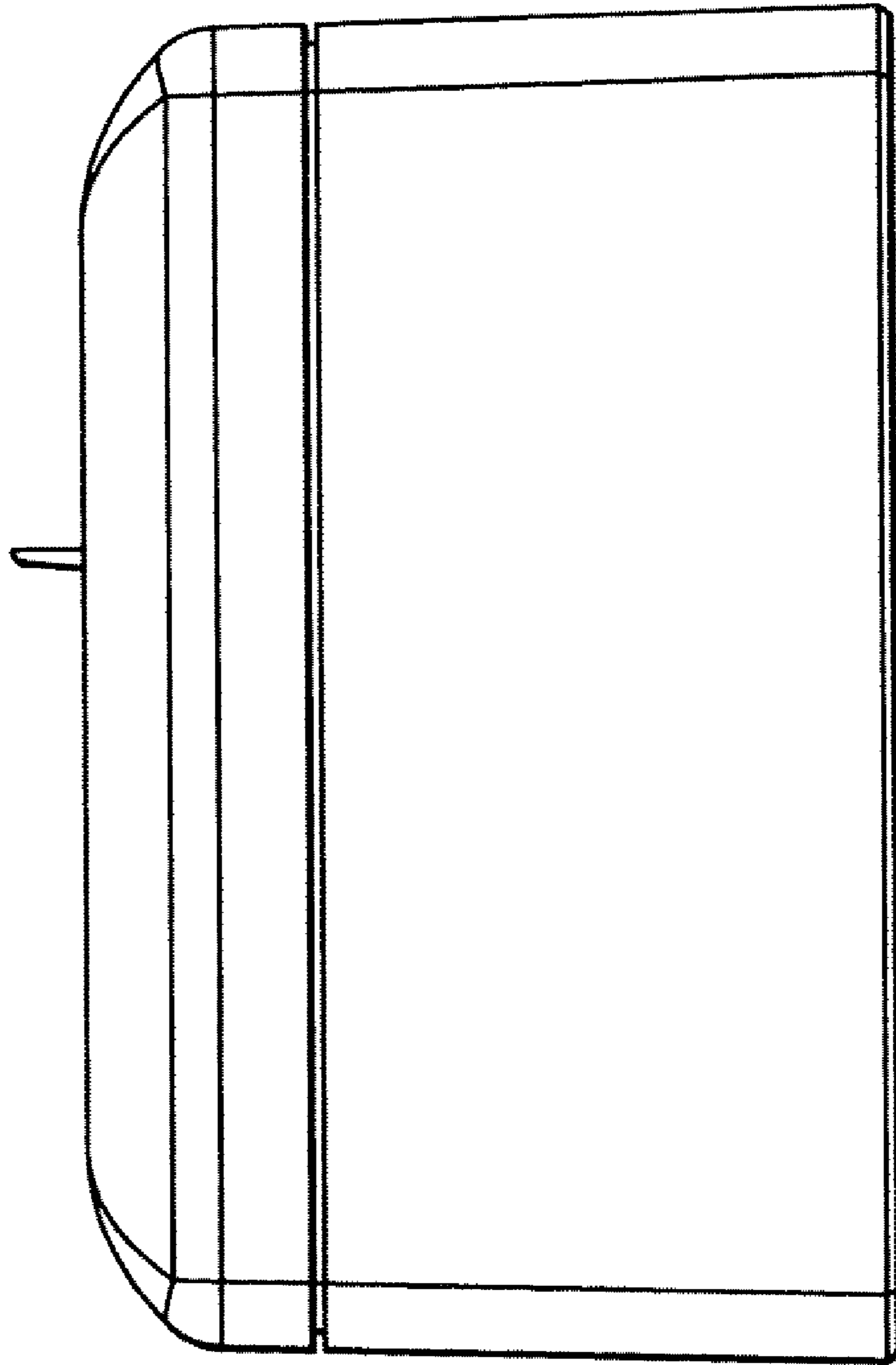


Fig. 4

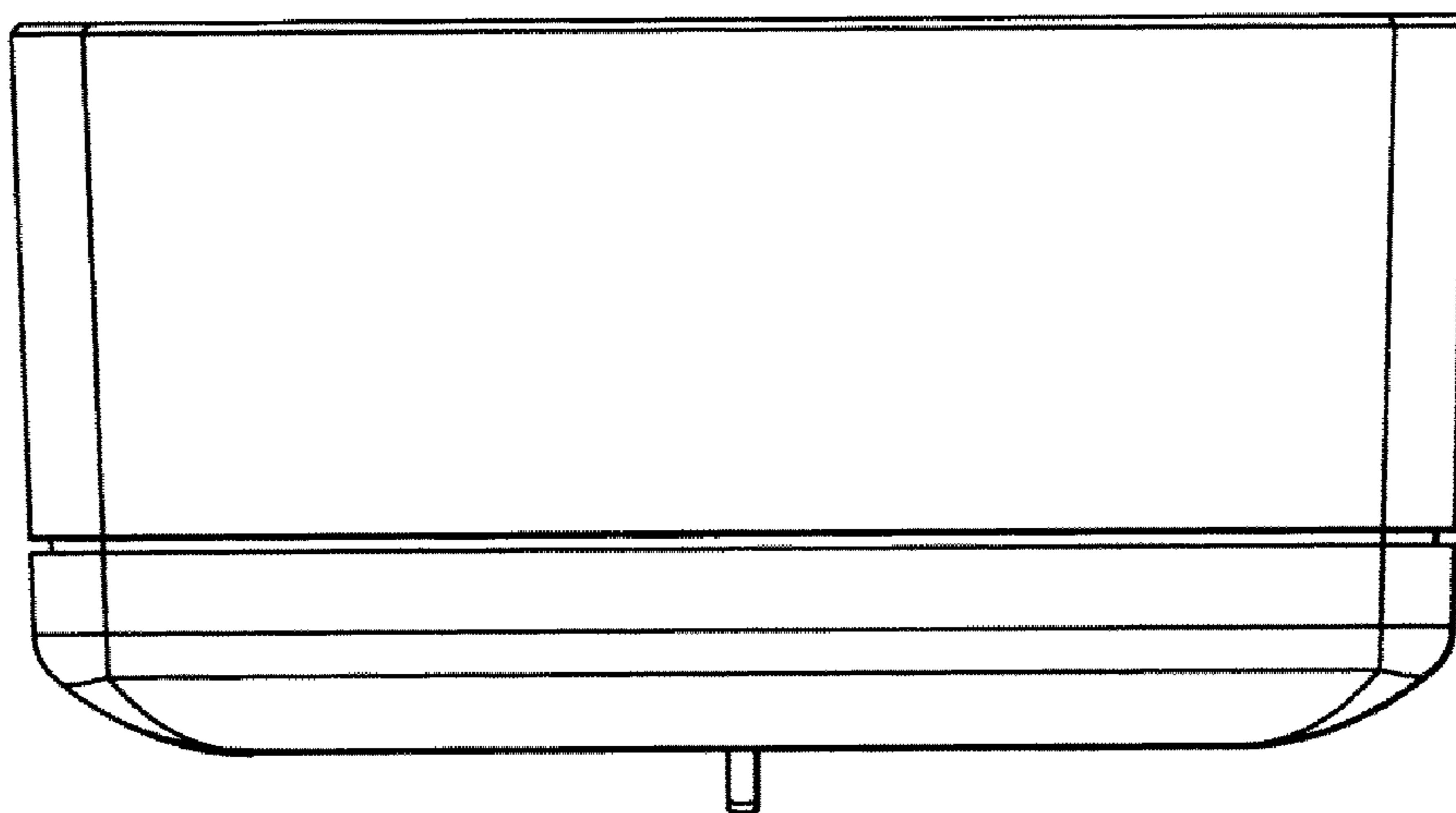


Fig. 5

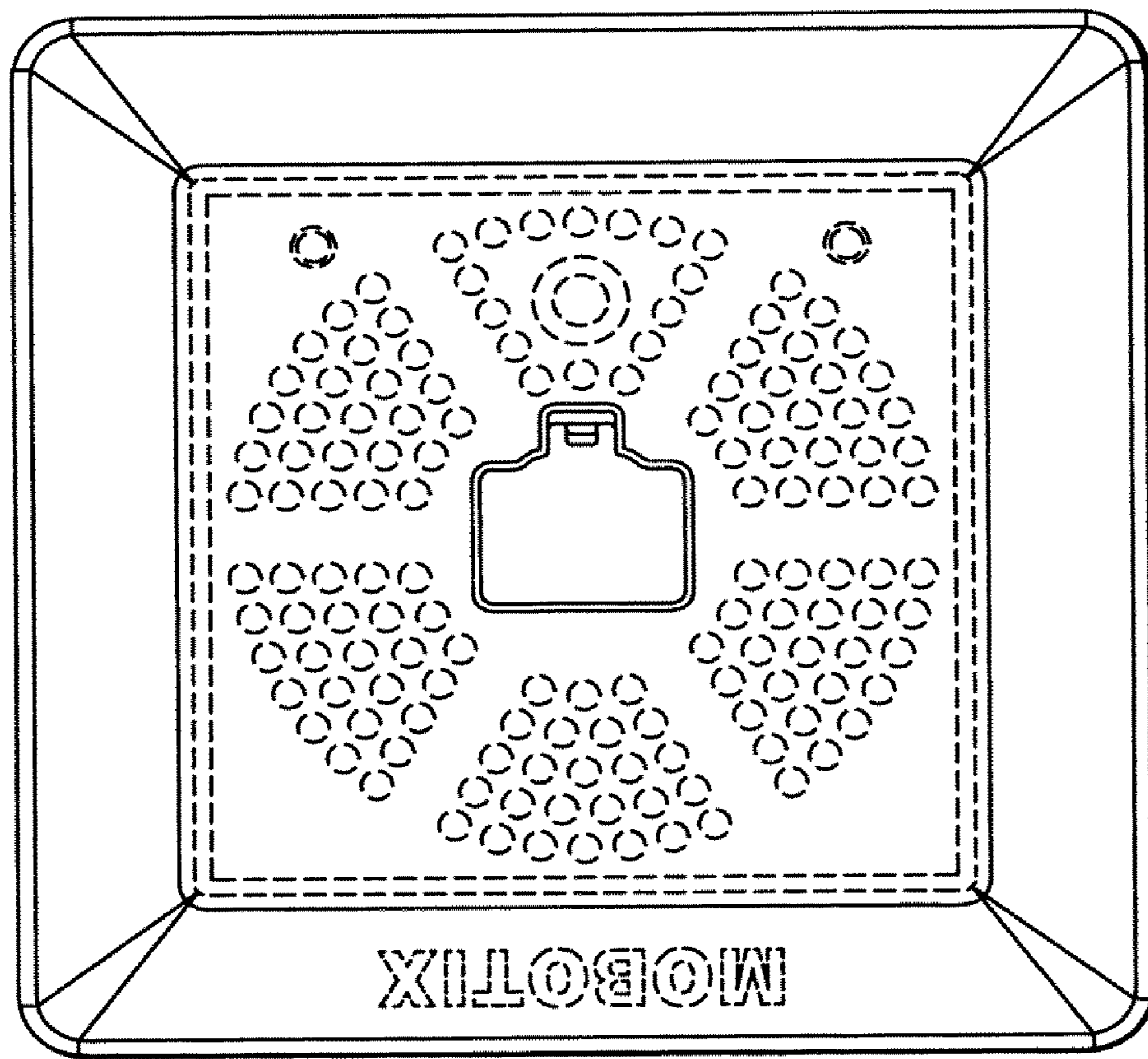


Fig. 6

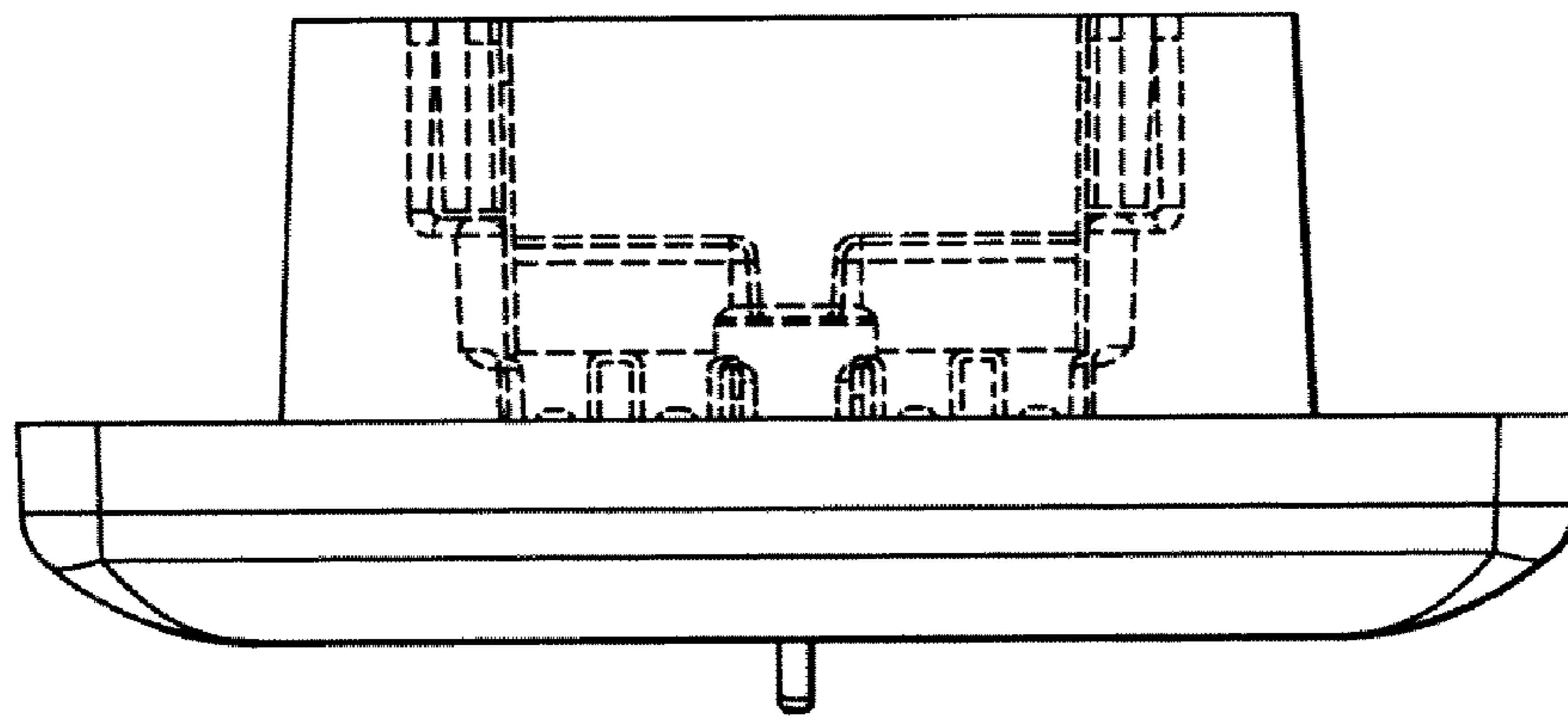


Fig. 7

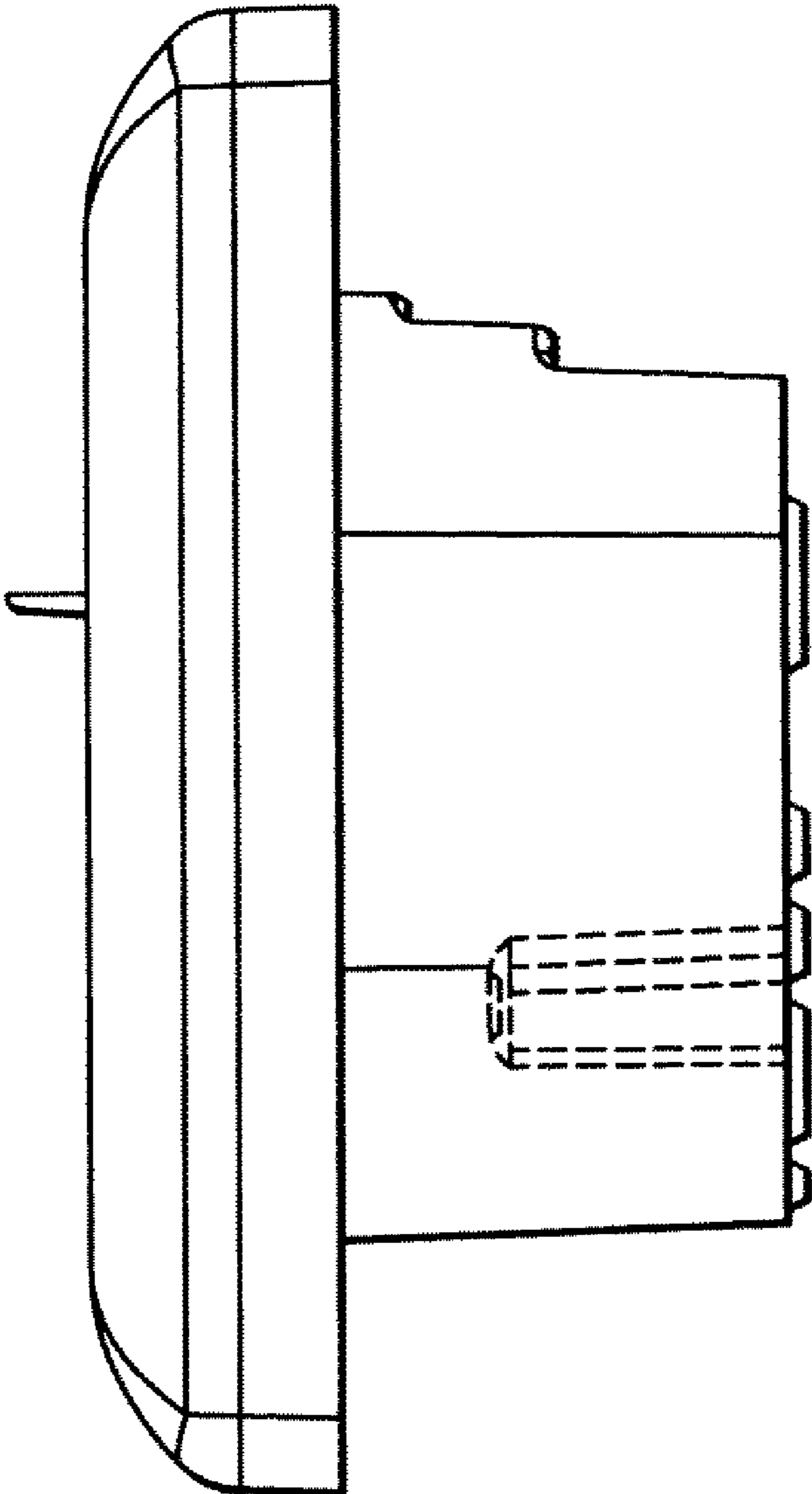


Fig. 8

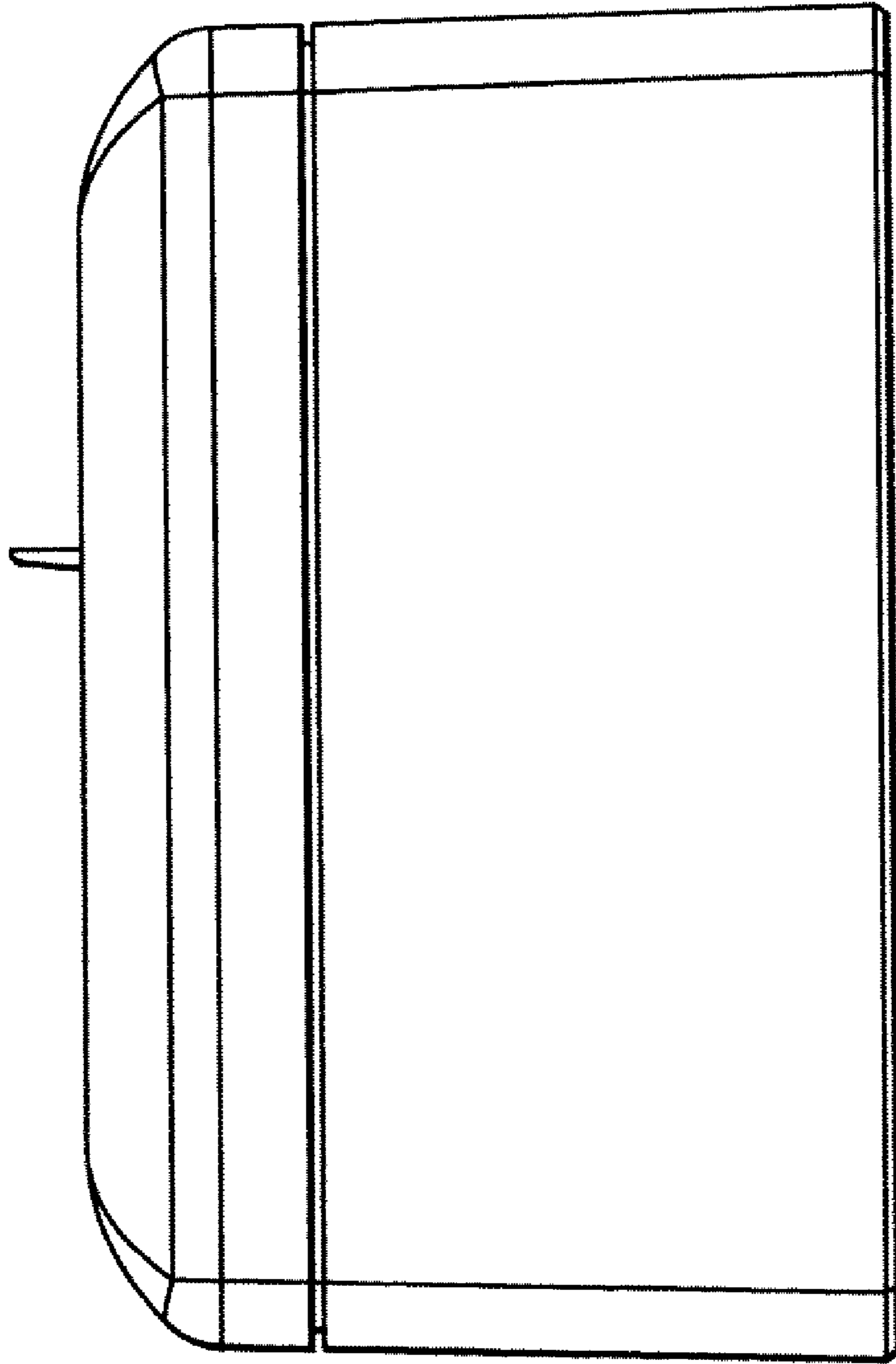


Fig. 9

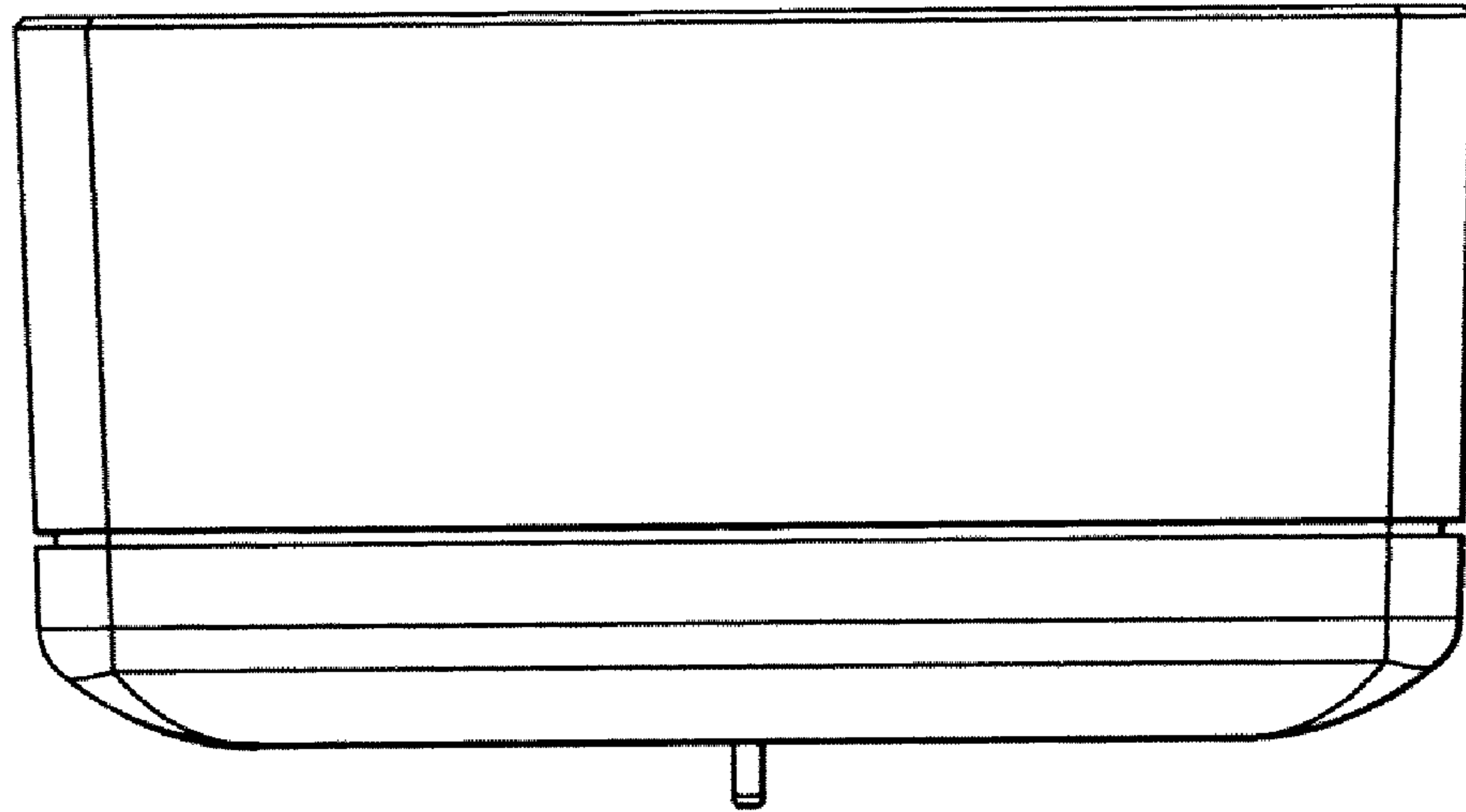


Fig. 10

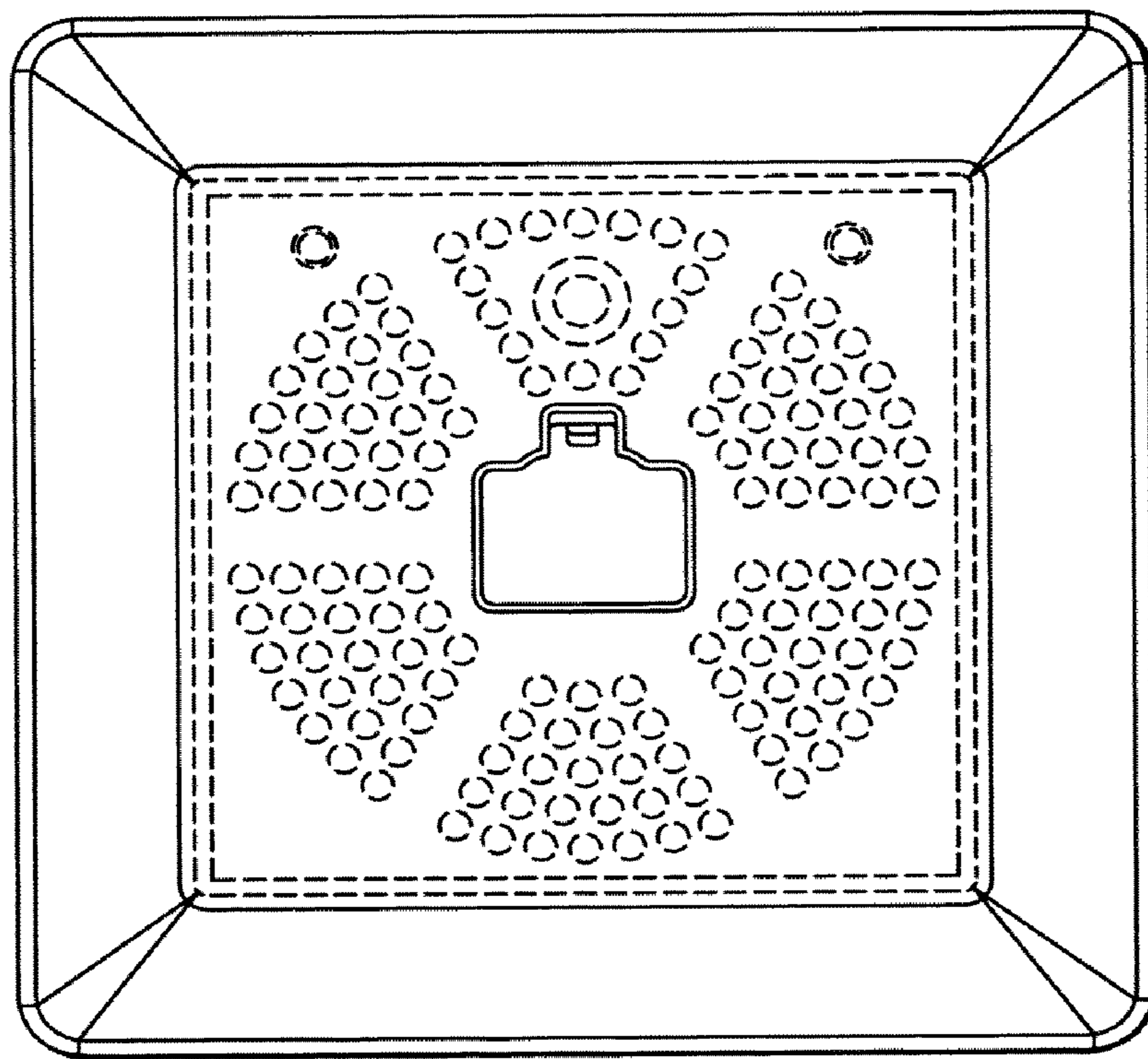


Fig. 11

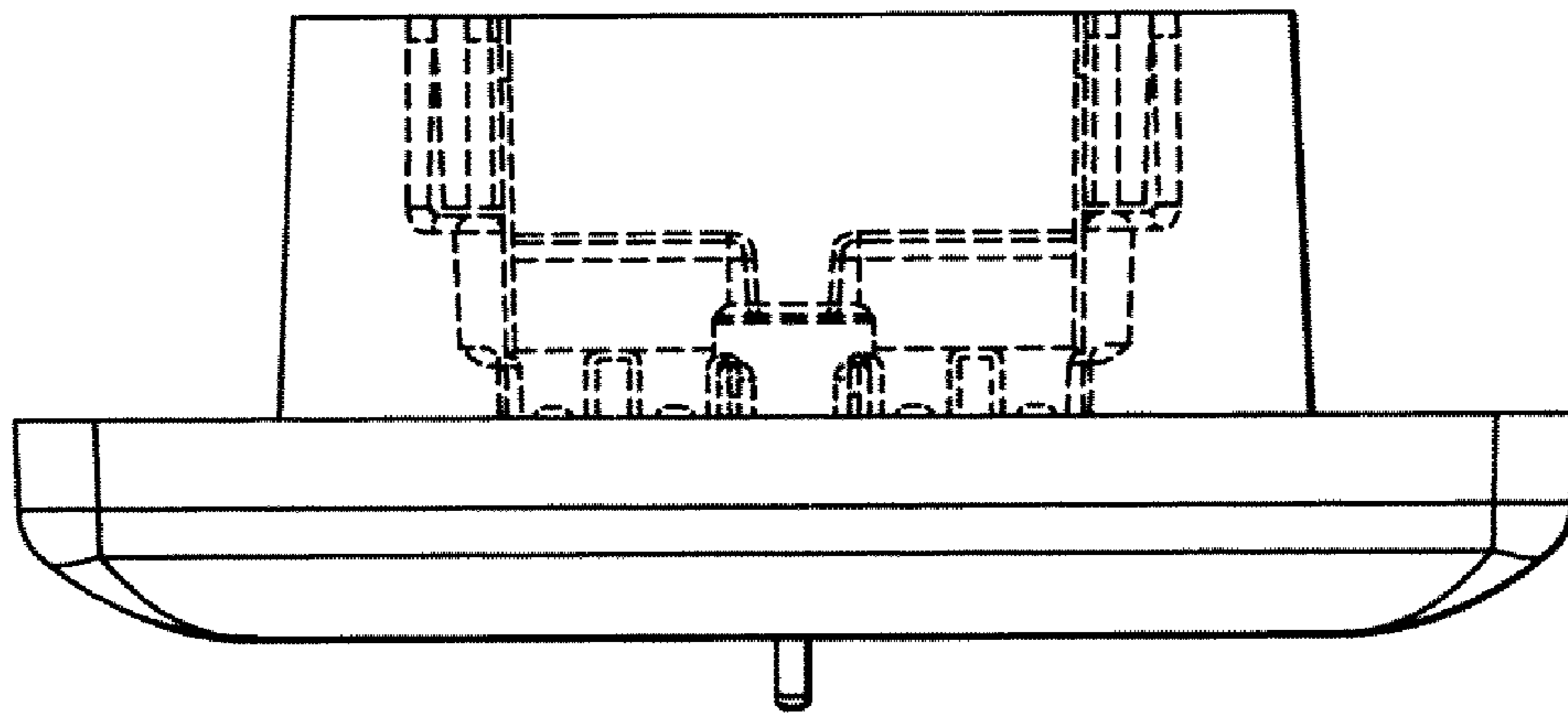


Fig. 12

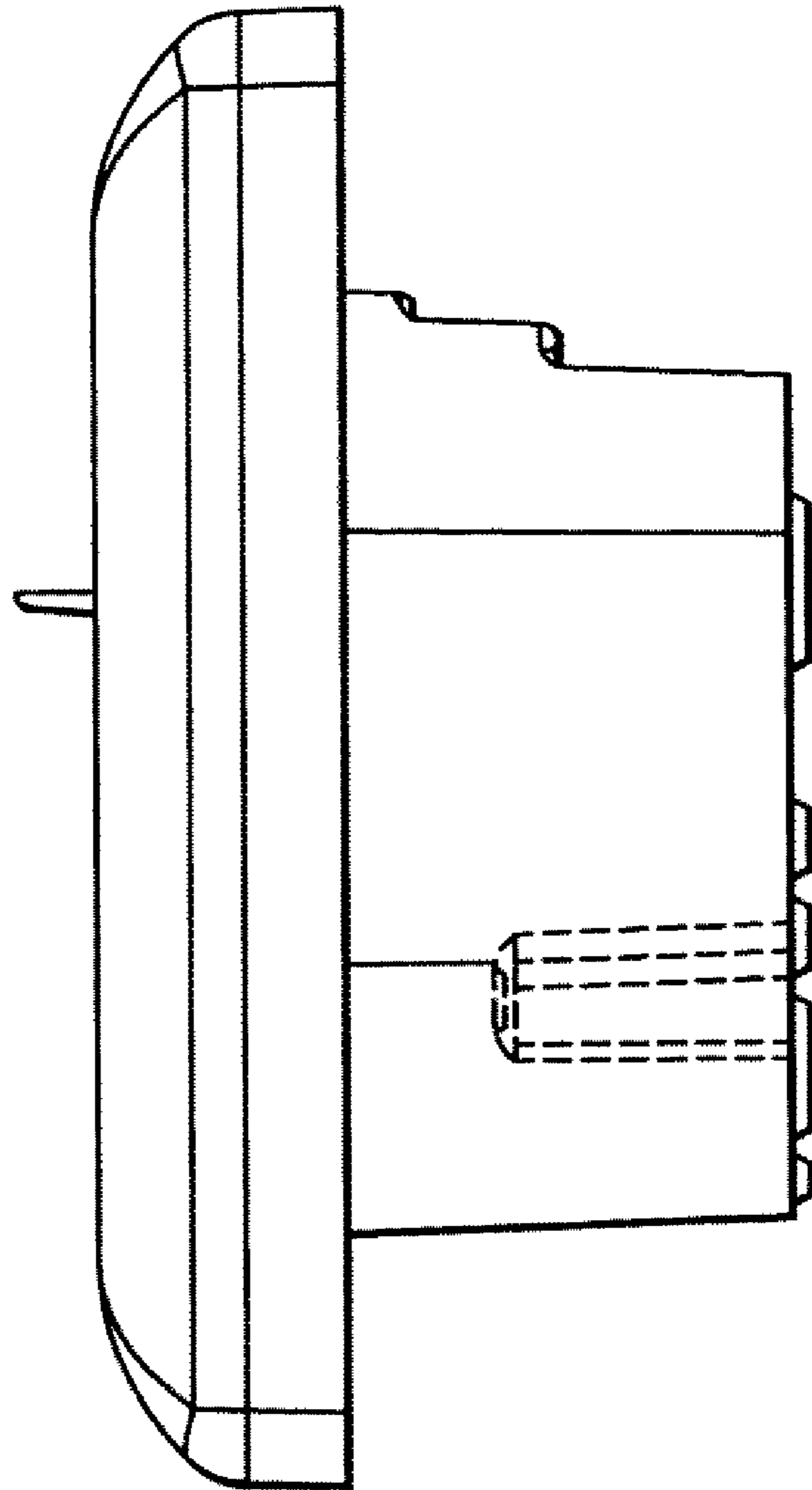


Fig. 13

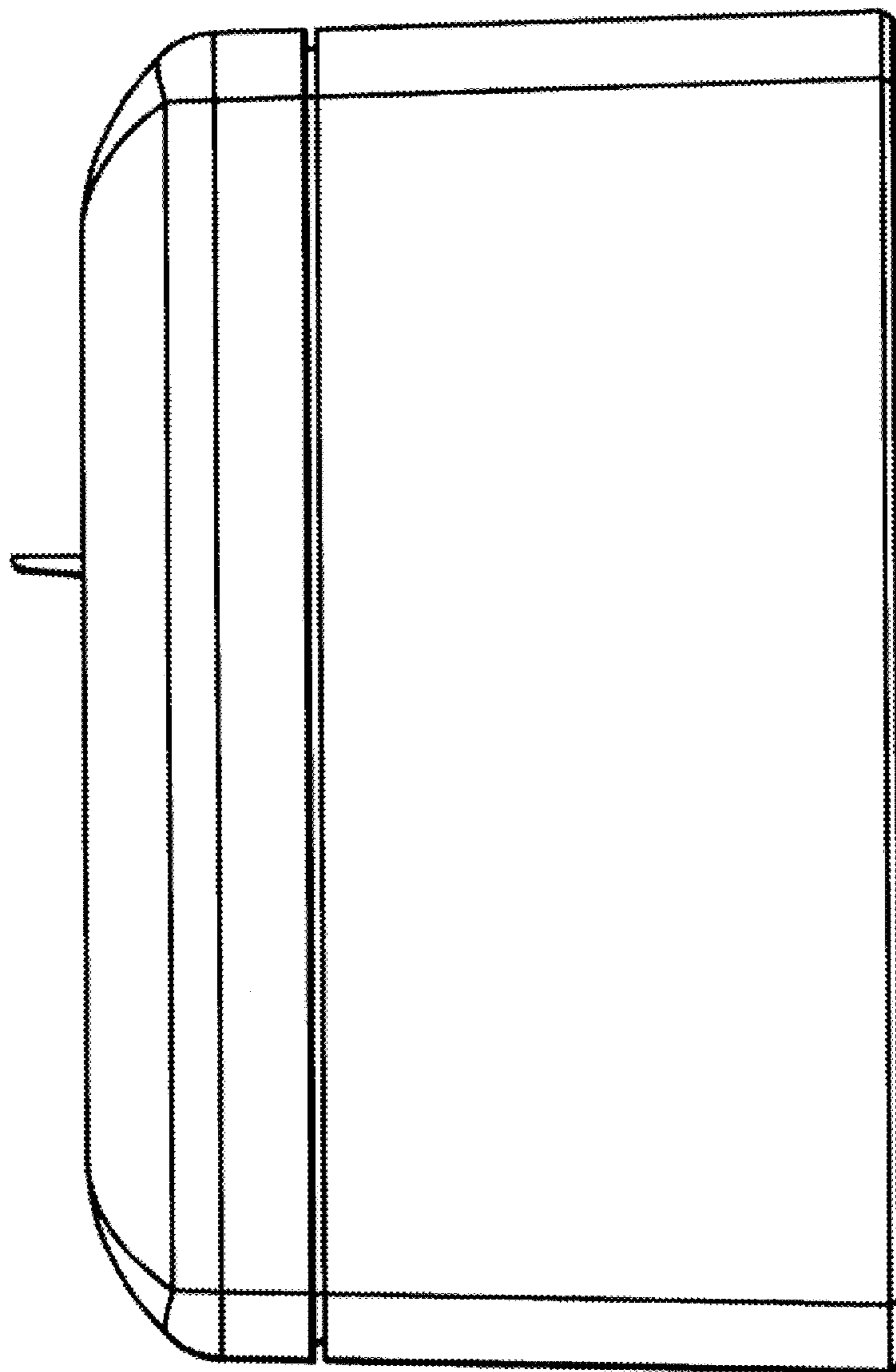


Fig. 14

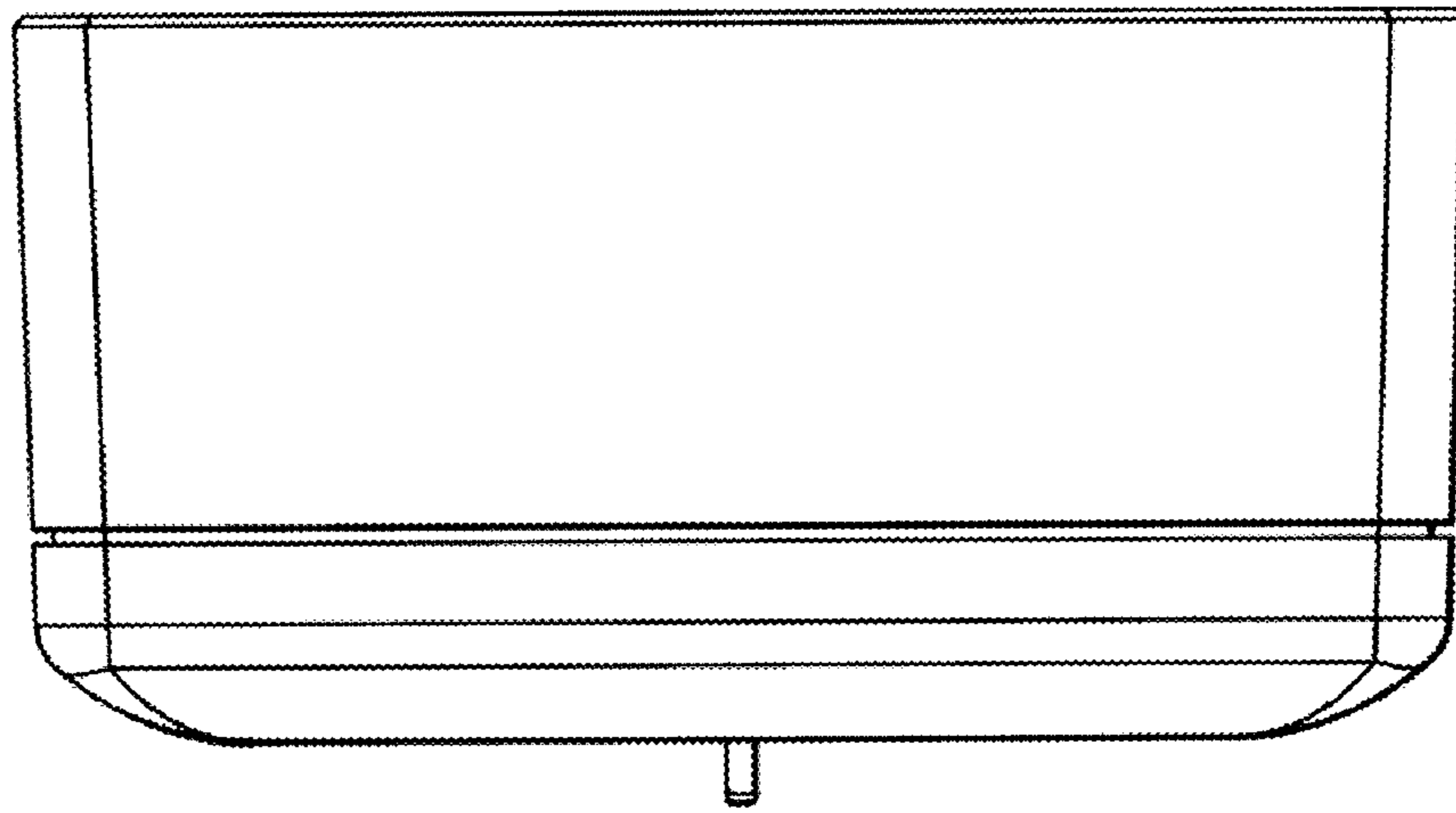


Fig. 15