



US00D665742S

(12) **United States Design Patent**
McKinnon

(10) **Patent No.:** **US D665,742 S**

(45) **Date of Patent:** **** Aug. 21, 2012**

(54) **ELECTRIC FENCE WIRE INSULATOR**

(76) Inventor: **Thomas Robert McKinnon**, Albany,
GA (US)

(**) Term: **14 Years**

(21) Appl. No.: **29/373,482**

(22) Filed: **Apr. 13, 2011**

(51) **LOC (9) Cl.** **13-03**

(52) **U.S. Cl.** **D13/129**

(58) **Field of Classification Search** D13/129,
D13/131, 132; D8/354, 356, 363, 364; 174/158 F,
174/163 F, 175

See application file for complete search history.

(56) **References Cited**

U.S. PATENT DOCUMENTS

2,896,011	A	7/1959	Huseby	
3,654,383	A	4/1972	Wilson	
3,801,731	A *	4/1974	Hansen	174/163 F
3,820,758	A	6/1974	Berg et al.	
4,077,611	A *	3/1978	Wilson	256/10
D248,750	S	8/1978	Langlie et al.	
D248,850	S	8/1978	Berg et al.	
4,263,477	A	4/1981	Wilson, Sr.	
4,599,488	A	7/1986	Wilson, Jr.	
4,771,137	A *	9/1988	Thompson	174/163 F
4,866,218	A *	9/1989	Wilson, Jr.	174/158 F
D416,859	S	11/1999	Langlie et al.	
6,296,233	B1	10/2001	Berg et al.	
D474,104	S	5/2003	Spruill	
6,583,363	B1	6/2003	Wilson, Jr.	
6,960,728	B1 *	11/2005	Halderman	174/158 F
D517,901	S *	3/2006	Carpenter	D8/356
D535,616	S	1/2007	Halderman	
7,216,852	B2 *	5/2007	Gravelle	256/10
7,511,227	B2	3/2009	Ritchie	
D594,821	S *	6/2009	Wilson, Jr.	D13/129
D604,148	S	11/2009	Clarke	

7,915,536	B1 *	3/2011	Hackett	174/163 F
7,960,654	B2 *	6/2011	Ritchie	174/163 F
8,141,853	B2 *	3/2012	Malins	256/10
2002/0003195	A1	1/2002	McDowell	

OTHER PUBLICATIONS

Photos of two prior art insulators, showing the dedication of each, respectively for mounting to either a flange orientation or to a web orientation.

The second photo shows that the dedicated flange and web orientations for the insulators does not change by turning the insulator over to expose their other sides.

* cited by examiner

Primary Examiner — Thomas Johannes

(74) *Attorney, Agent, or Firm* — John P. Sinnott; Langdale Vallotton, LLP

(57) **CLAIM**

The ornamental design for an electric fence wire insulator, as shown and described.

DESCRIPTION

Thomas R. McKinnon Utility patent application Ser. No. 13/066,390 Titled "Electric Fence Wire Insulator" Filed of Even Date Herewith.

FIG. 1 is a perspective view of an electric fence wire insulator showing my new design;

FIG. 2 is a front elevation view thereof;

FIG. 3 is a top view thereof;

FIG. 4 is a right side view thereof;

FIG. 5 is a left side view thereof;

FIG. 6 is a back view thereof; and,

FIG. 7 is a bottom view thereof.

A characteristic feature of the invention, best illustrated in FIGS. 1, 2 and 6 are the two grips at opposite ends of the insulator each for engaging a T-post.

1 Claim, 2 Drawing Sheets

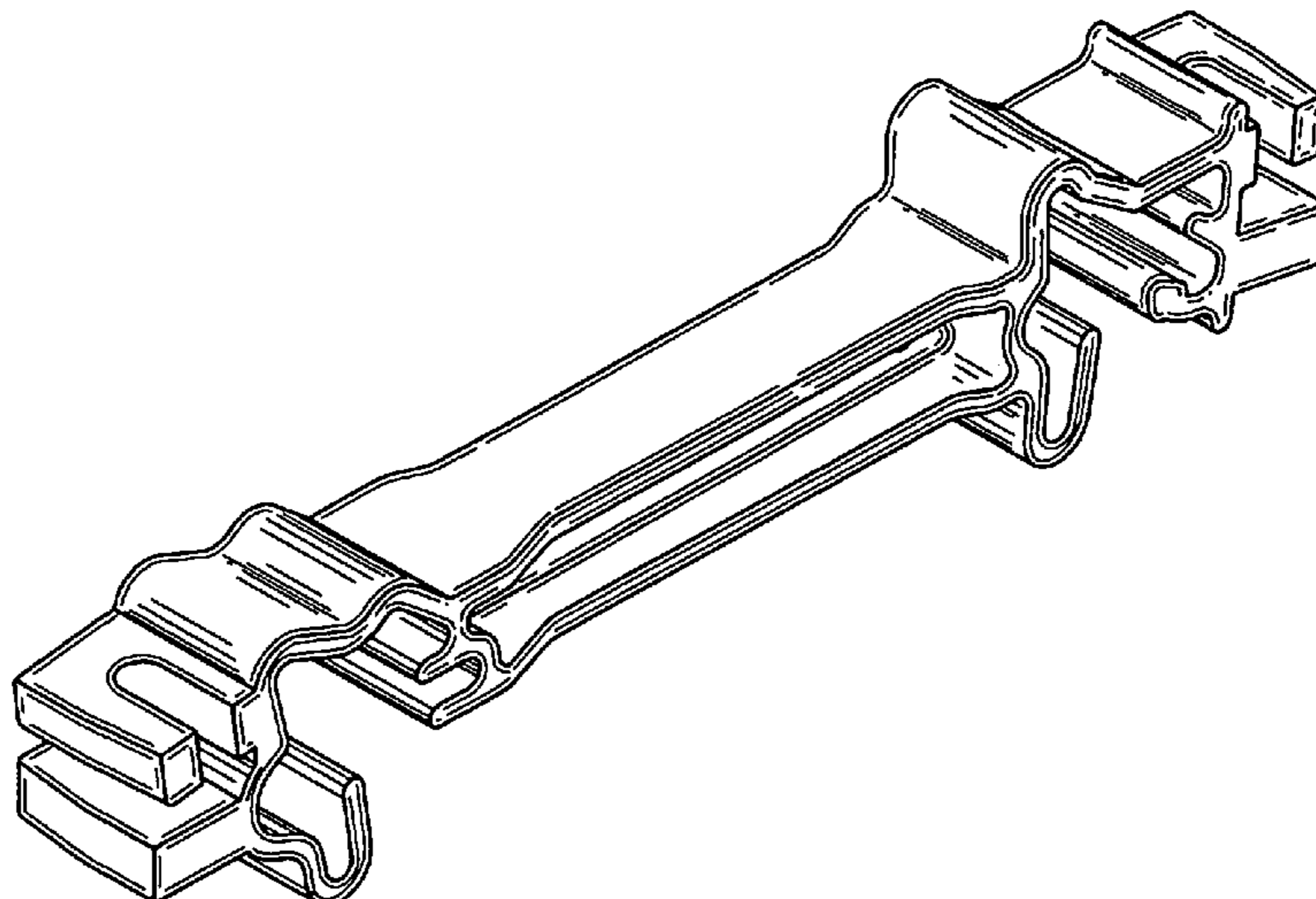


FIG. 1

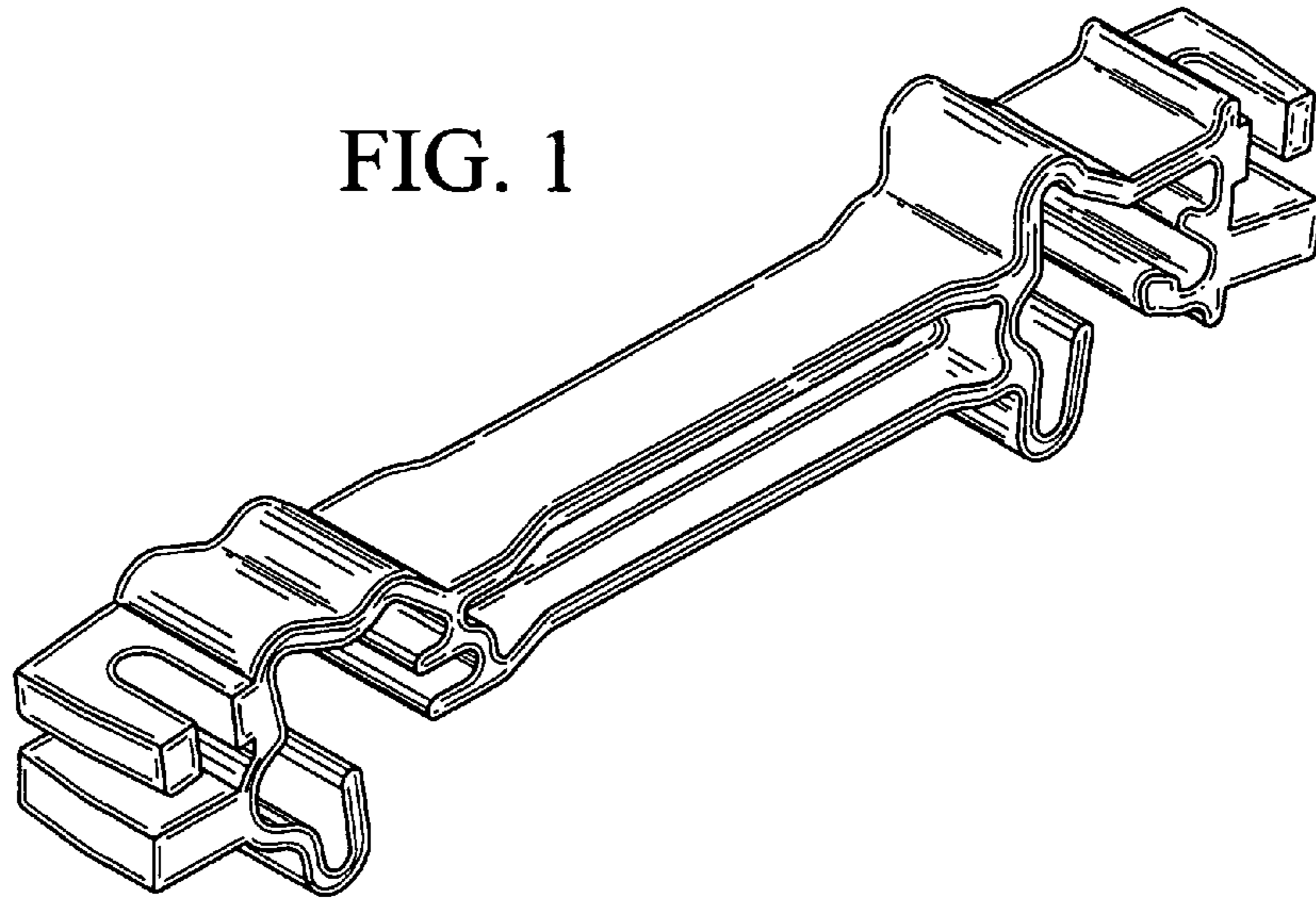


FIG. 2

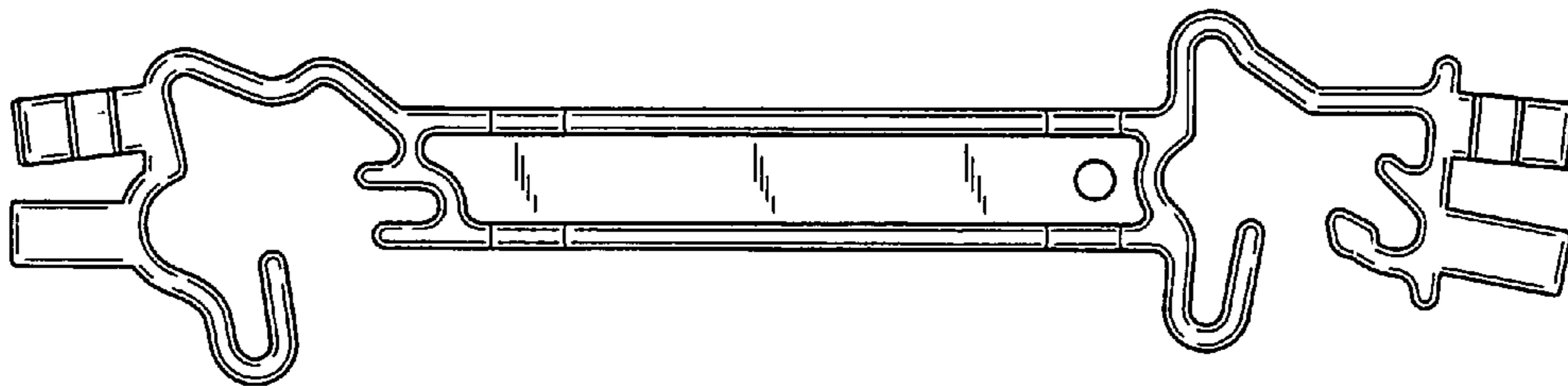


FIG. 3

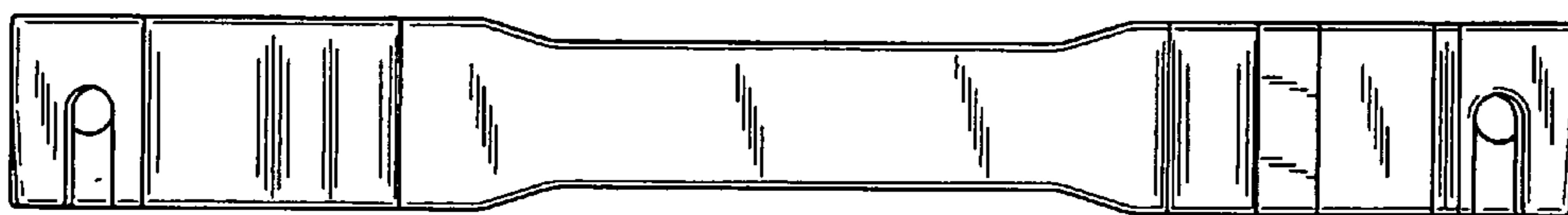


FIG. 4

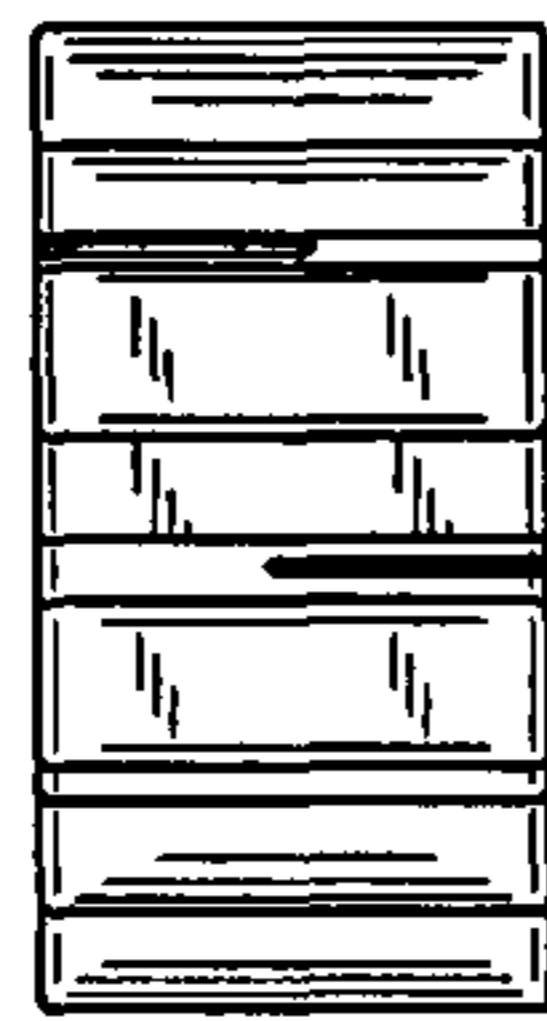


FIG. 5

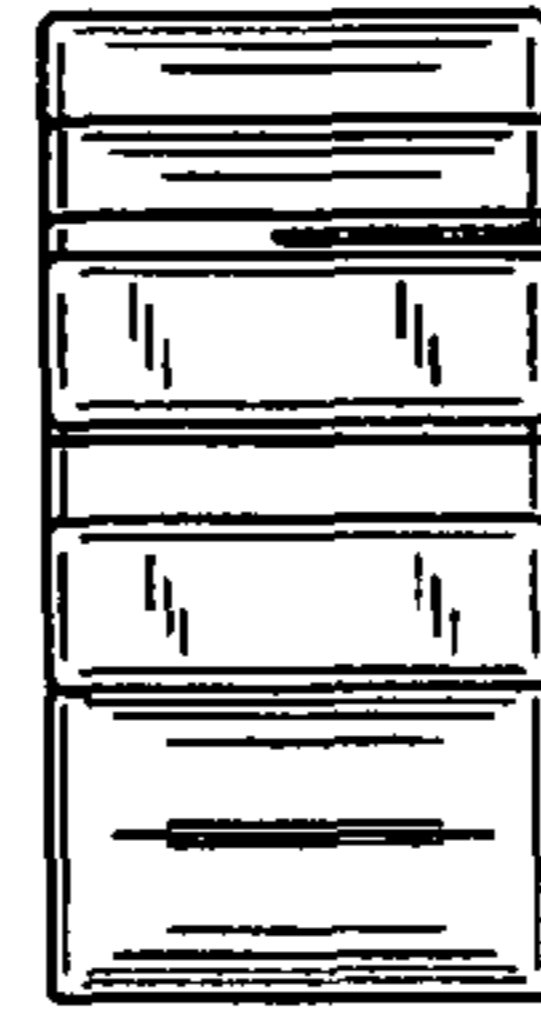


FIG. 6

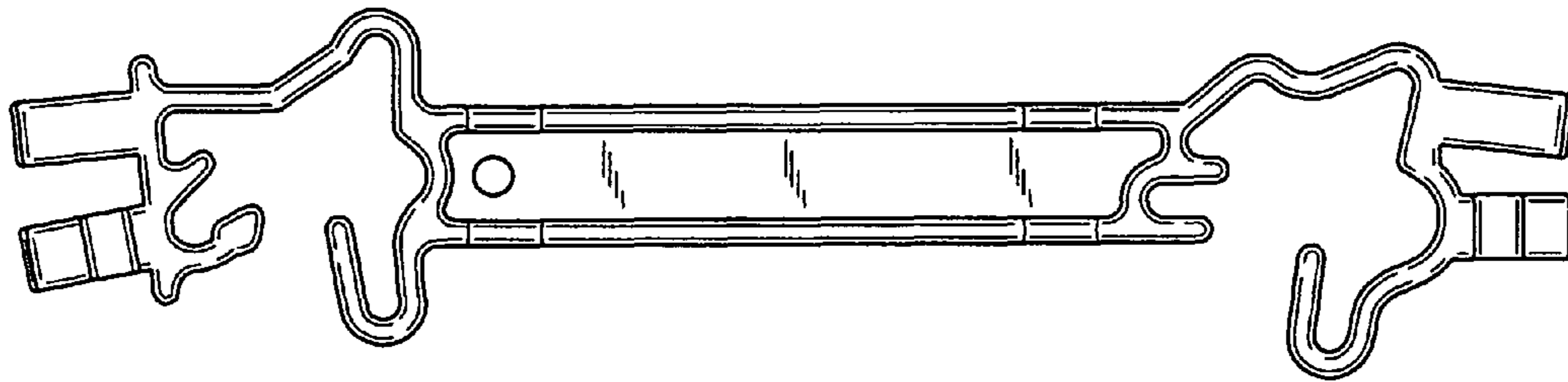


FIG. 7

