



US00D665741S

(12) **United States Design Patent**
Hu

(10) **Patent No.:** **US D665,741 S**

(45) **Date of Patent:** **** Aug. 21, 2012**

(54) **POWER SUPPLY COVER**

(75) Inventor: **Xiu-Quan Hu**, Shenzhen (CN)

(73) Assignee: **Hon Hai Precision Industry Co., Ltd.**,
Tu-Cheng, New Taipei (TW)

(**) Term: **14 Years**

(21) Appl. No.: **29/409,561**

(22) Filed: **Dec. 24, 2011**

(51) **LOC (9) Cl.** **13-02**

(52) **U.S. Cl.** **D13/118**

(58) **Field of Classification Search** D13/118,
D13/101, 103, 110, 152, 154, 177, 182, 184,
D13/199; D14/265, 355, 441, 442, 443,
D14/444, 445; 174/50, 53, 59, 66, 67; 361/600,
361/601, 622, 676, 678, 679.01, 679.02,
361/683, 688, 692; 363/141, 142; 439/278,
439/282

See application file for complete search history.

(56) **References Cited**

U.S. PATENT DOCUMENTS

D286,770 S * 11/1986 Melcher D13/184
D383,438 S * 9/1997 Gerber et al. D13/118

D390,825 S * 2/1998 Chen D13/110
D453,141 S * 1/2002 Watanabe et al. D13/118
D468,269 S * 1/2003 Hwang D13/154
D471,518 S * 3/2003 Olsson et al. D13/118
D475,681 S * 6/2003 Ho D13/118
D552,563 S * 10/2007 Pratt D13/177
D595,649 S * 7/2009 Borcharding D13/118

* cited by examiner

Primary Examiner — Derrick Holland

(74) *Attorney, Agent, or Firm* — Altis Law Group, Inc.

(57) **CLAIM**

The ornamental design for a power supply cover, as shown and described.

DESCRIPTION

FIG. 1 is perspective view of the power supply cover showing my new design:

FIG. 2 is a front elevational view thereof;

FIG. 3 is a rear elevational view thereof;

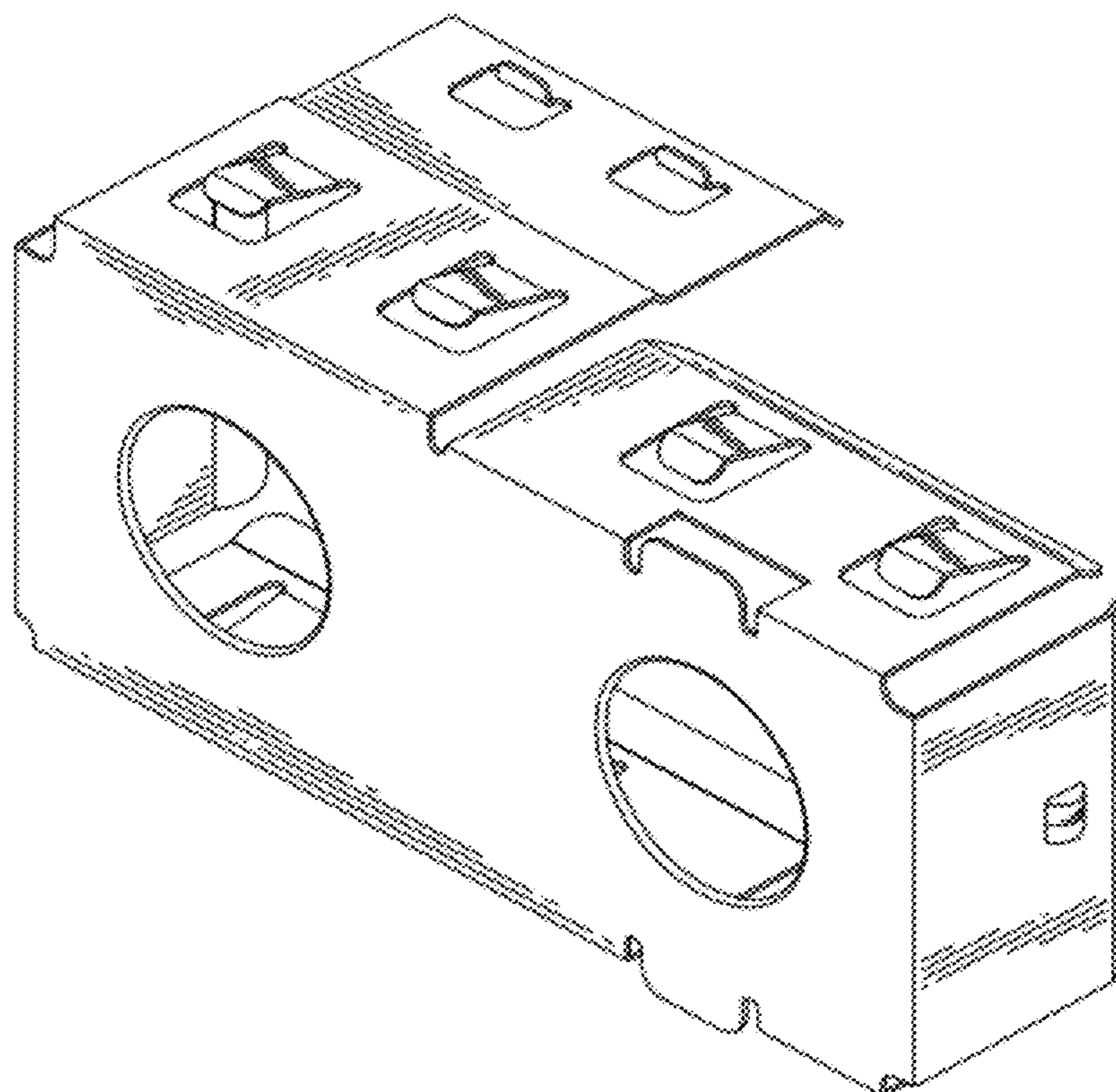
FIG. 4 is a left side elevational view thereof;

FIG. 5 is a right side elevational view thereof;

FIG. 6 is a top plan view thereof; and,

FIG. 7 is a bottom plan view thereof.

1 Claim, 7 Drawing Sheets



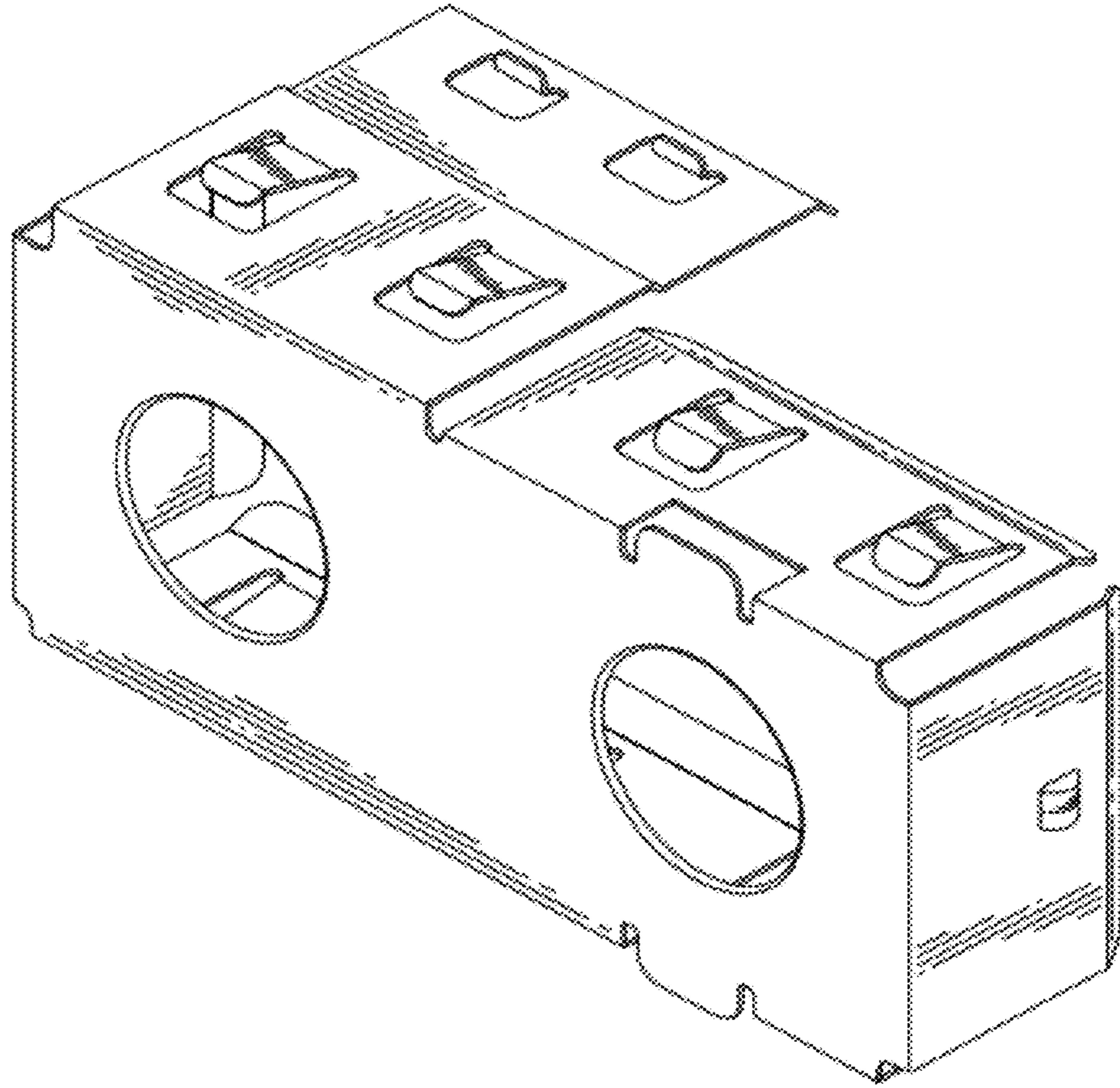


FIG. 1

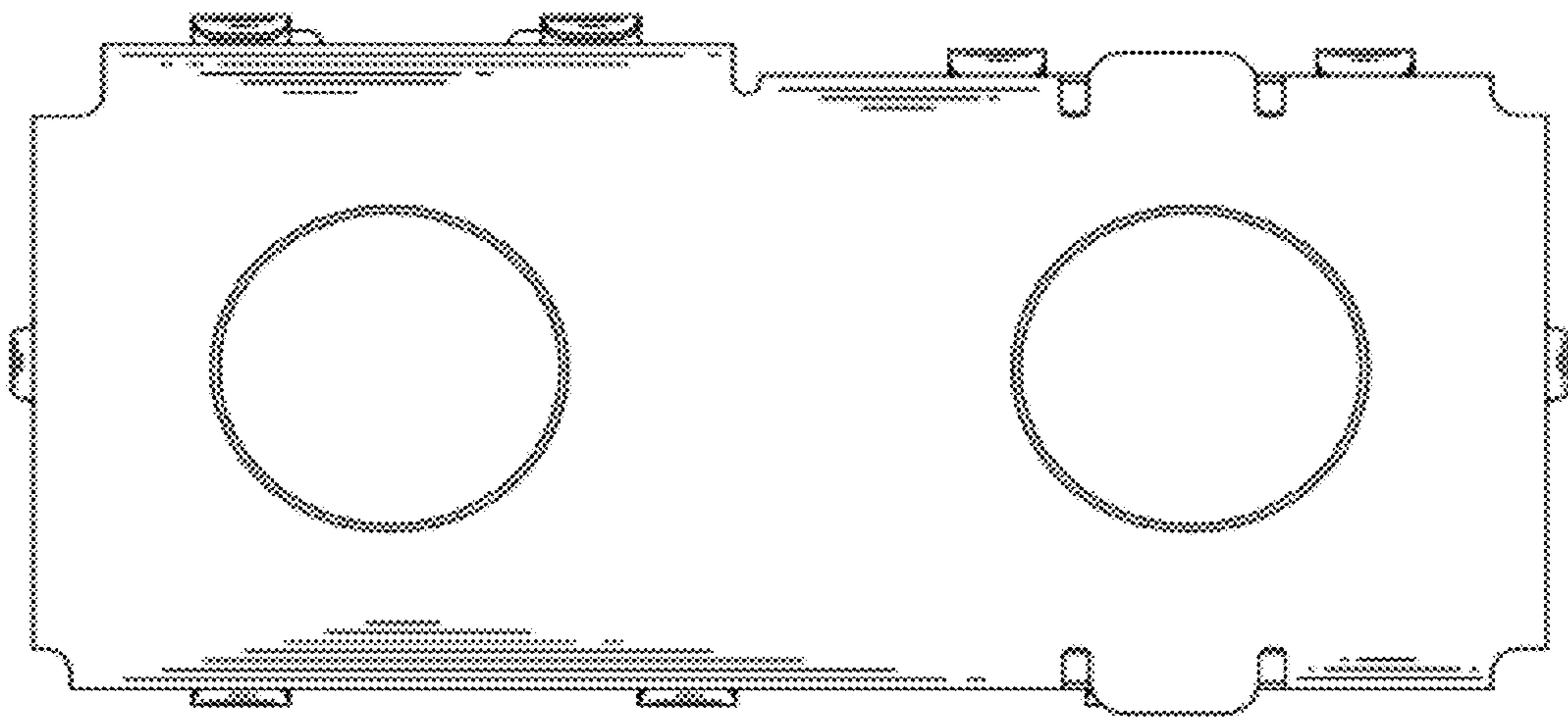


FIG. 2

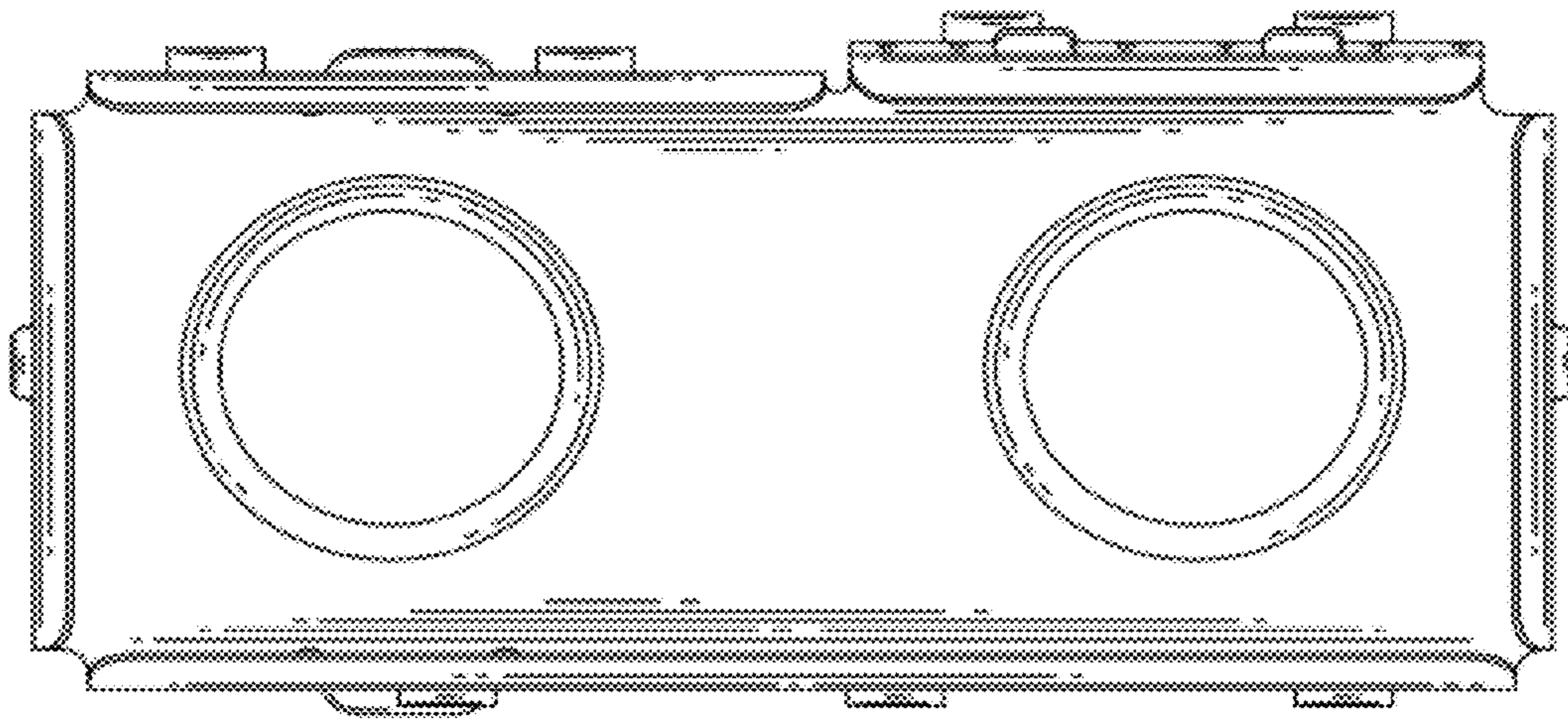


FIG. 3

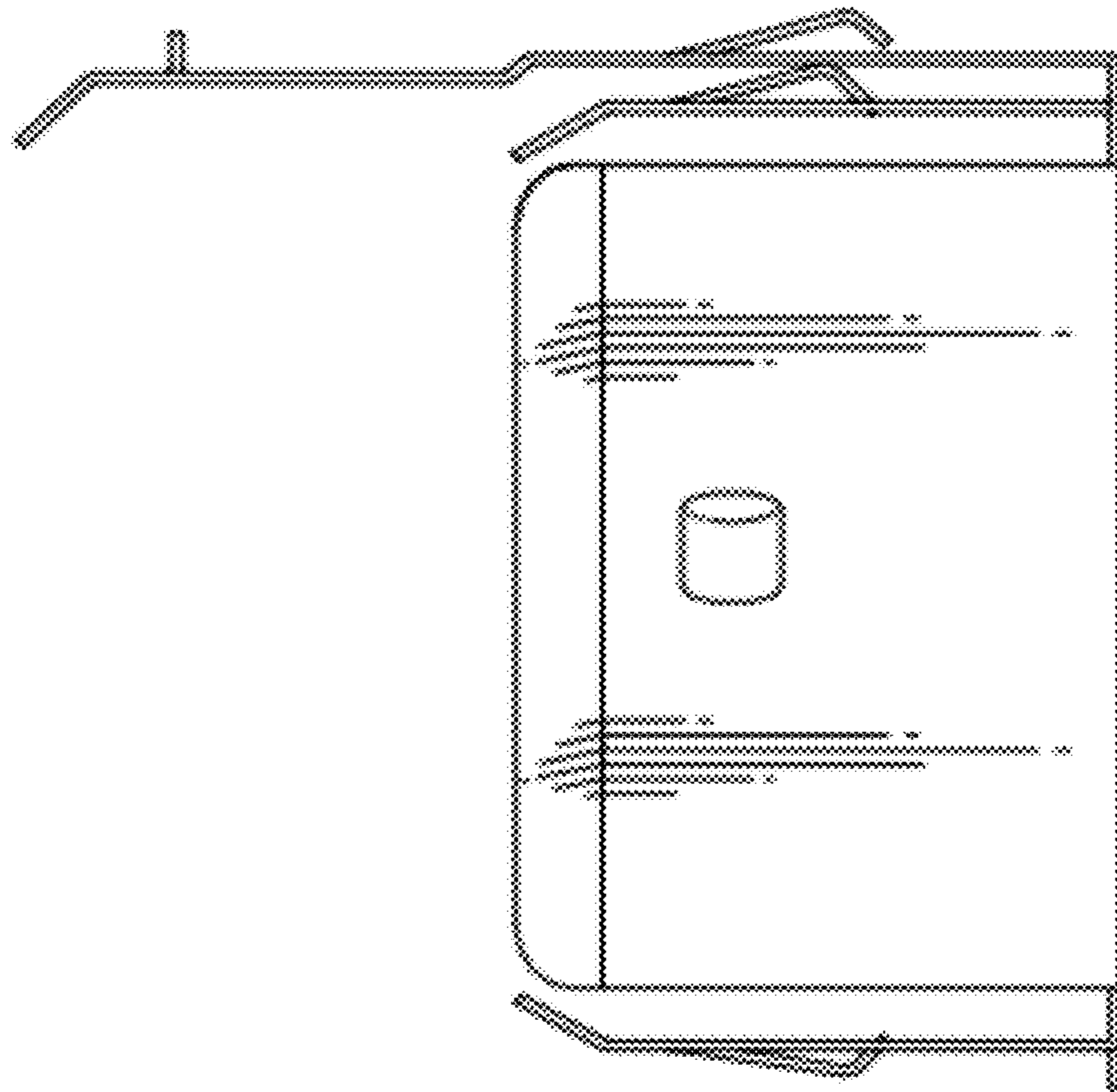


FIG. 4

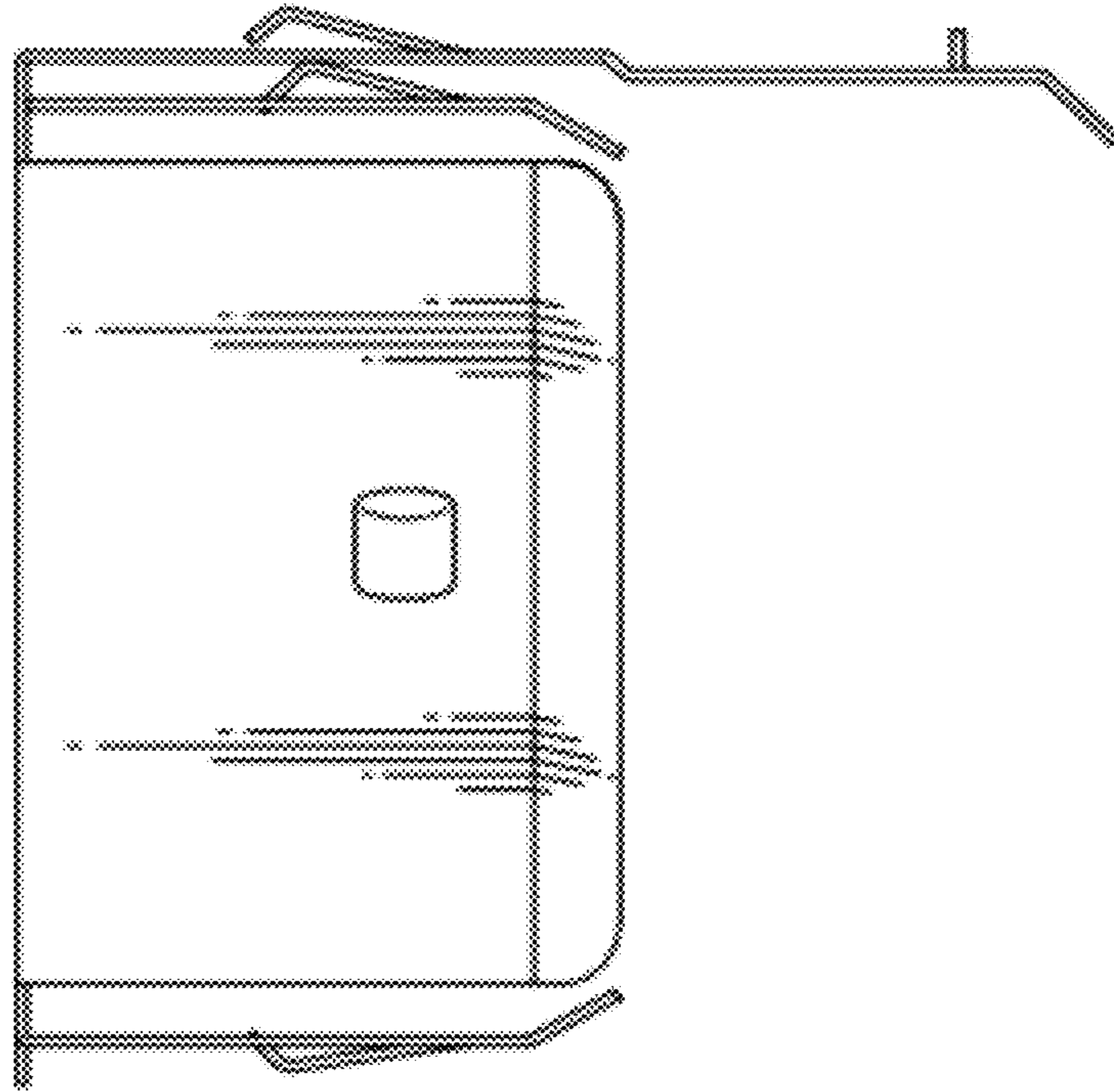


FIG. 5

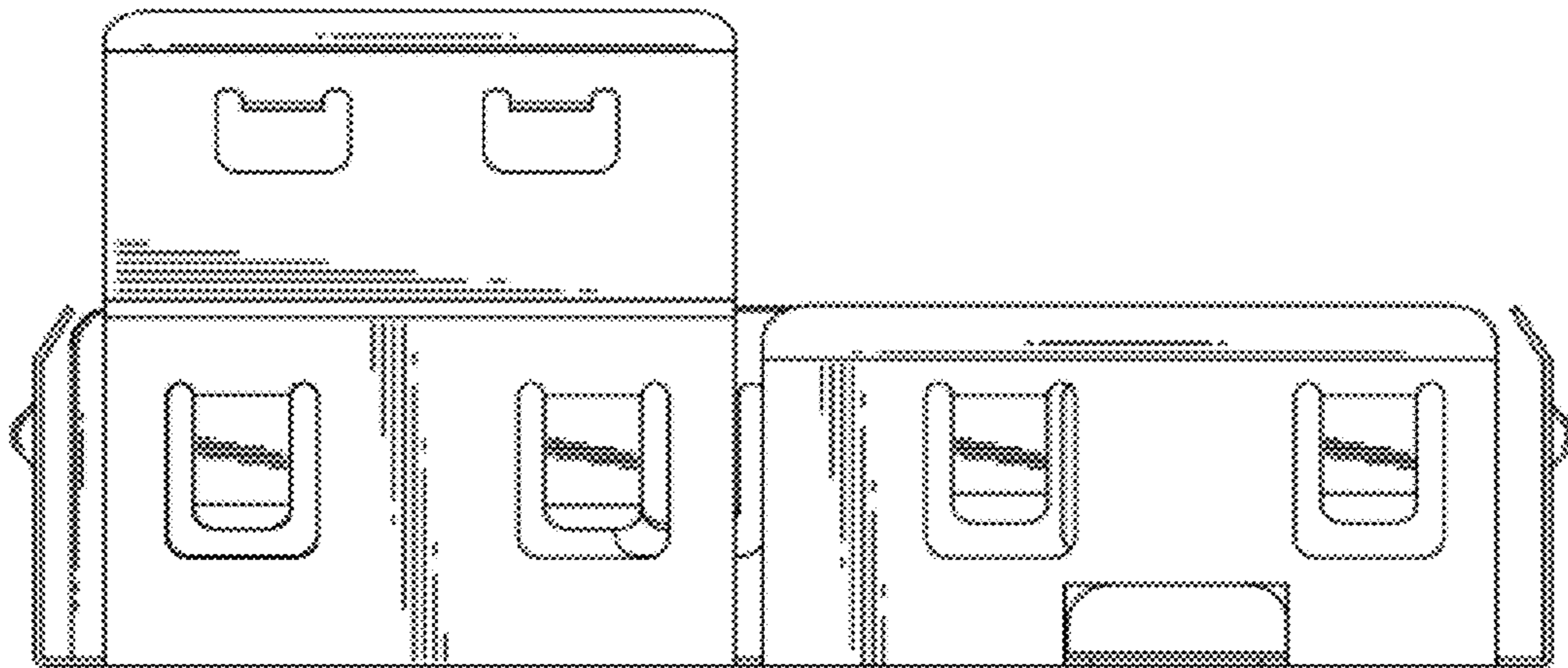


FIG. 6

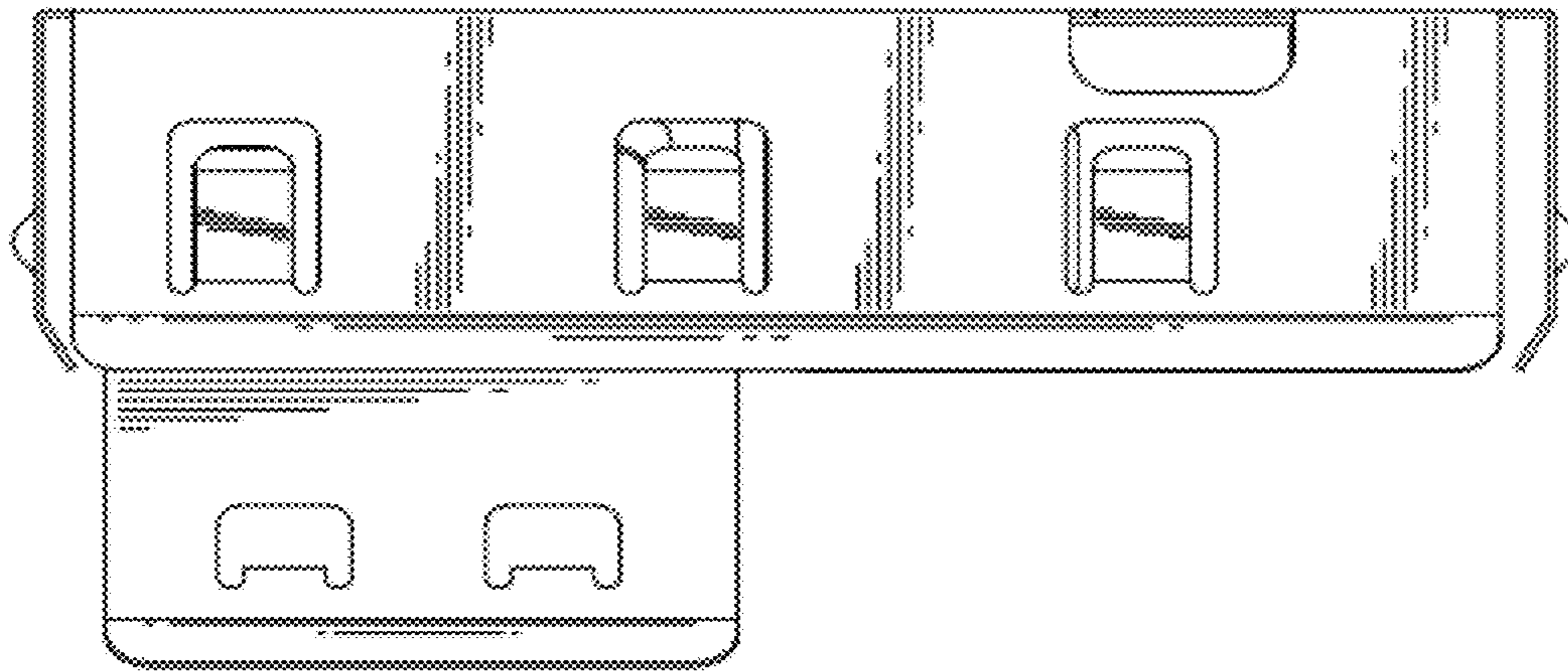


FIG. 7