



US00D665740S

(12) **United States Design Patent**
Yamada et al.

(10) **Patent No.:** **US D665,740 S**

(45) **Date of Patent:** **** Aug. 21, 2012**

(54) **COIL COMPONENT**

(75) Inventors: **Satoru Yamada**, Tokyo (JP); **Kazuyuki Kikuchi**, Tokyo (JP)

(73) Assignee: **Sumida Corporation**, Chuo-Ku, Tokyo (JP)

(**) Term: **14 Years**

(21) Appl. No.: **29/408,389**

(22) Filed: **Dec. 12, 2011**

(30) **Foreign Application Priority Data**

Nov. 18, 2011 (JP) D2011-026786

(51) **LOC (9) Cl.** **13-01**

(52) **U.S. Cl.** **D13/117**

(58) **Field of Classification Search** D13/117,
D13/101, 118, 133, 179, 183, 199; 123/634;
250/231.12; 336/83, 90, 92, 96, 160, 178,
336/192, 198, 200; D15/5, 199

See application file for complete search history.

(56) **References Cited**

U.S. PATENT DOCUMENTS

D203,179 S * 12/1965 Foerster D13/117
D421,595 S * 3/2000 Davis D13/117

6,774,757 B2 * 8/2004 Fujiyoshi et al. 336/200
7,129,810 B1 * 10/2006 Kimura 336/83
D550,622 S * 9/2007 Shih D13/118
7,471,179 B2 * 12/2008 Hatakeyama et al. 336/192
D586,745 S * 2/2009 Shibata et al. D13/117
2007/0109087 A1 * 5/2007 Kawarai 336/200
2009/0144967 A1 * 6/2009 Hasu et al. 29/605

* cited by examiner

Primary Examiner — Derrick Holland

(74) *Attorney, Agent, or Firm* — Buchanan Ingersoll & Rooney PC

(57) **CLAIM**

The ornamental design for a coil component, as shown and described.

DESCRIPTION

FIG. 1 is a front elevational view of a coil component showing our new design.

FIG. 2 is a rear elevational view thereof.

FIG. 3 is a right side elevational view thereof.

FIG. 4 is a left side elevational view thereof.

FIG. 5 is a top plan view thereof.

FIG. 6 is a bottom plan view thereof.

FIG. 7 is a top perspective view thereof; and,

FIG. 8 is a bottom perspective view thereof.

1 Claim, 5 Drawing Sheets

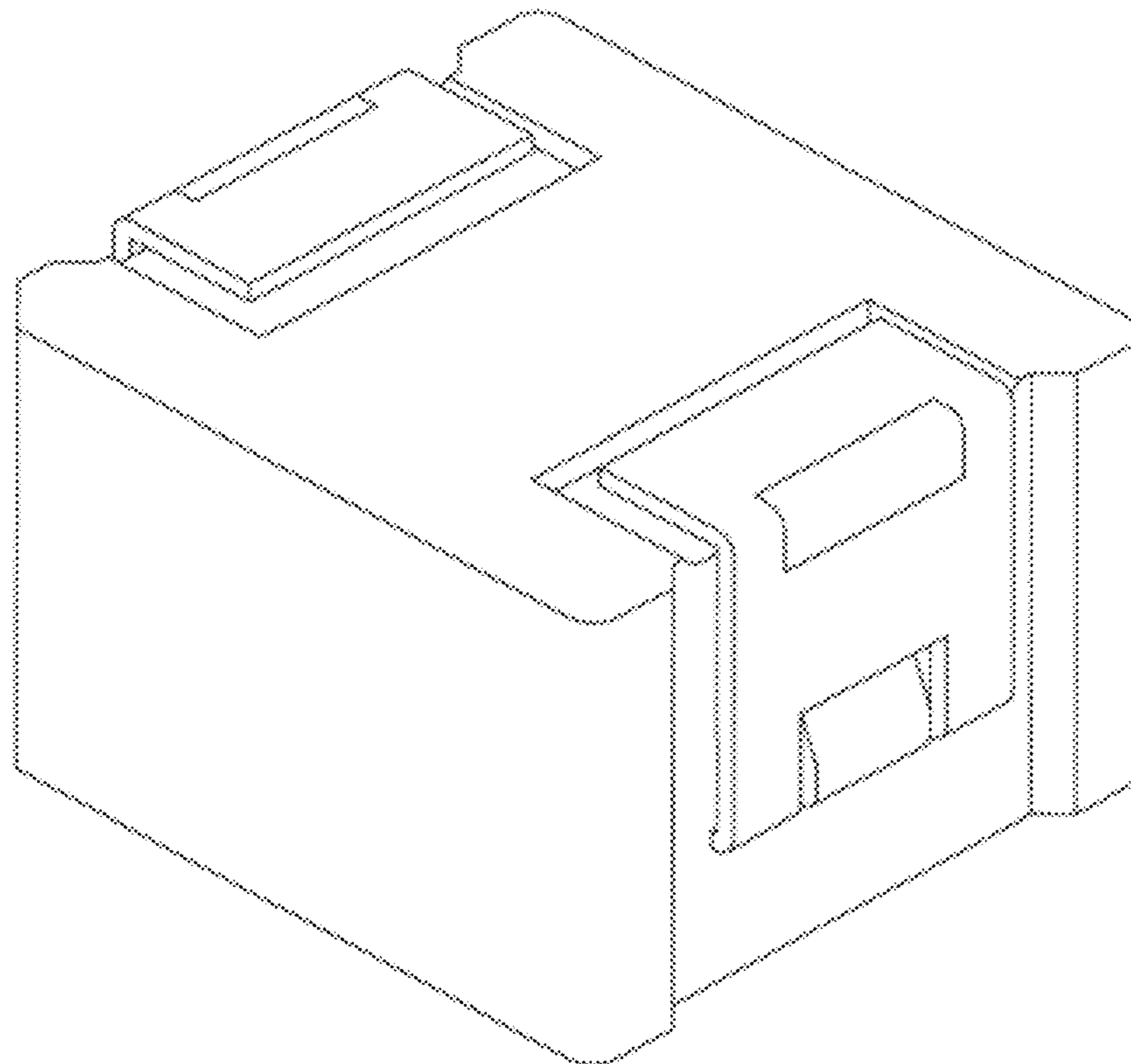


FIG. 1

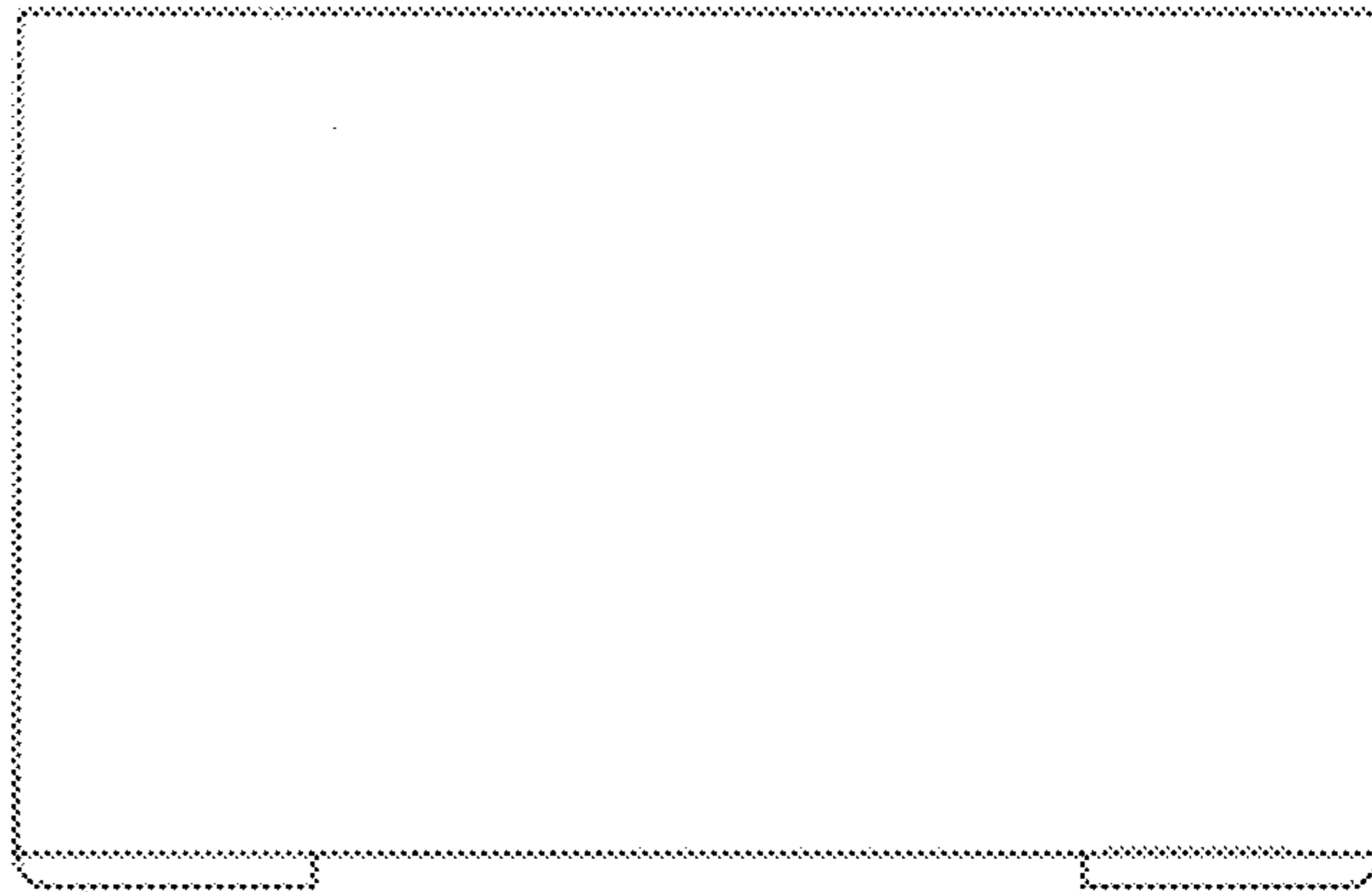


FIG. 2

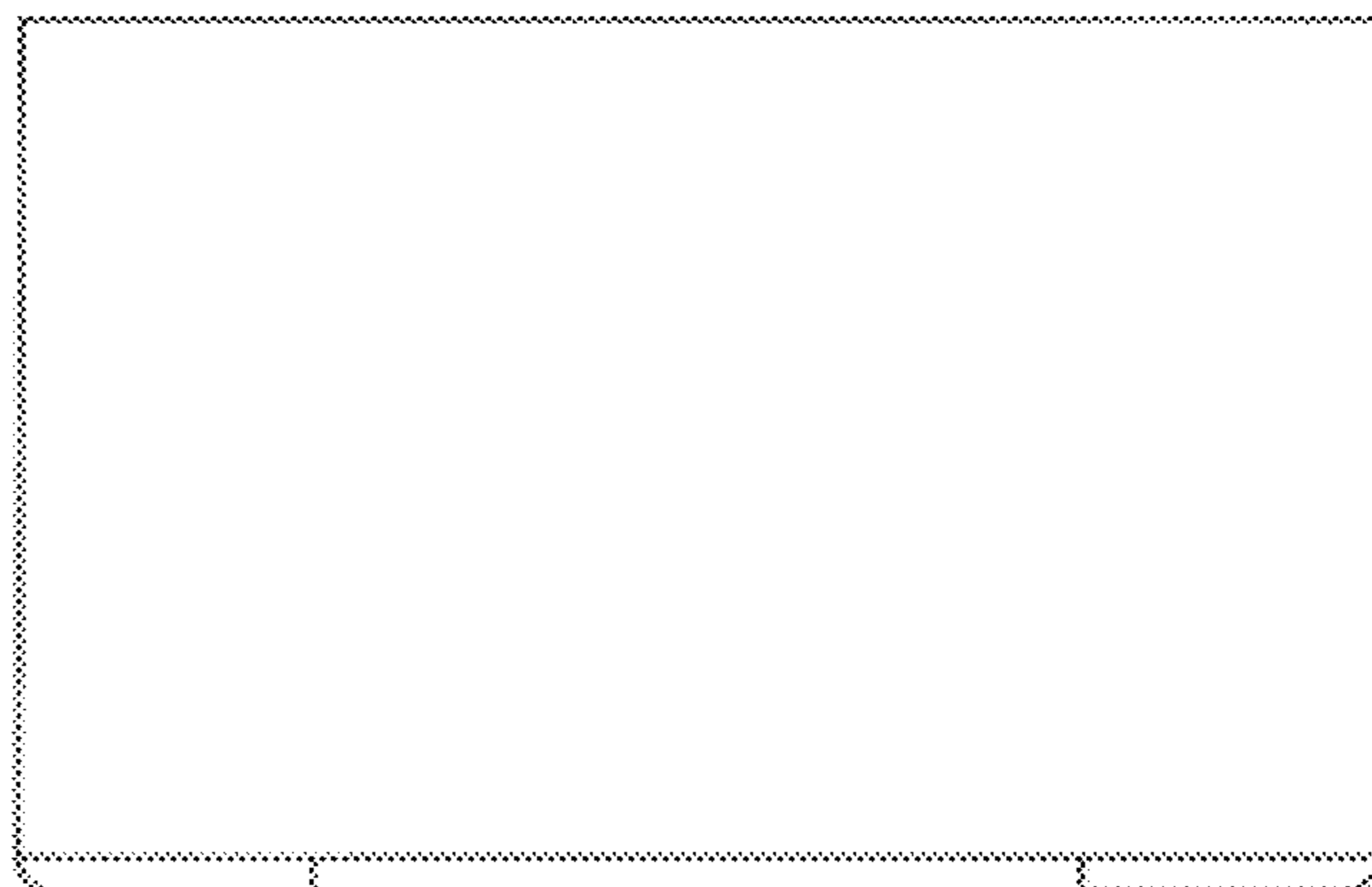


FIG. 3

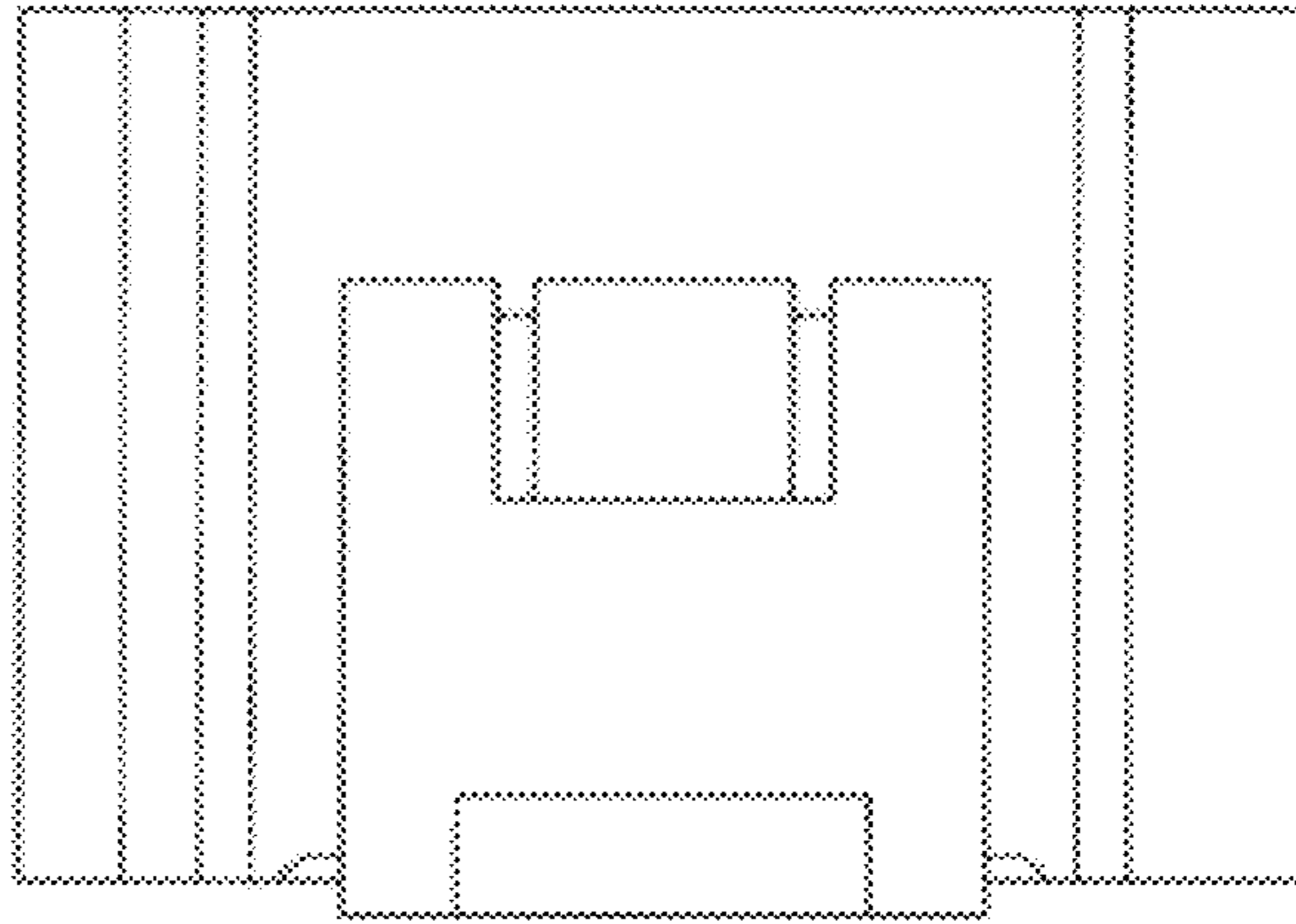


FIG. 4

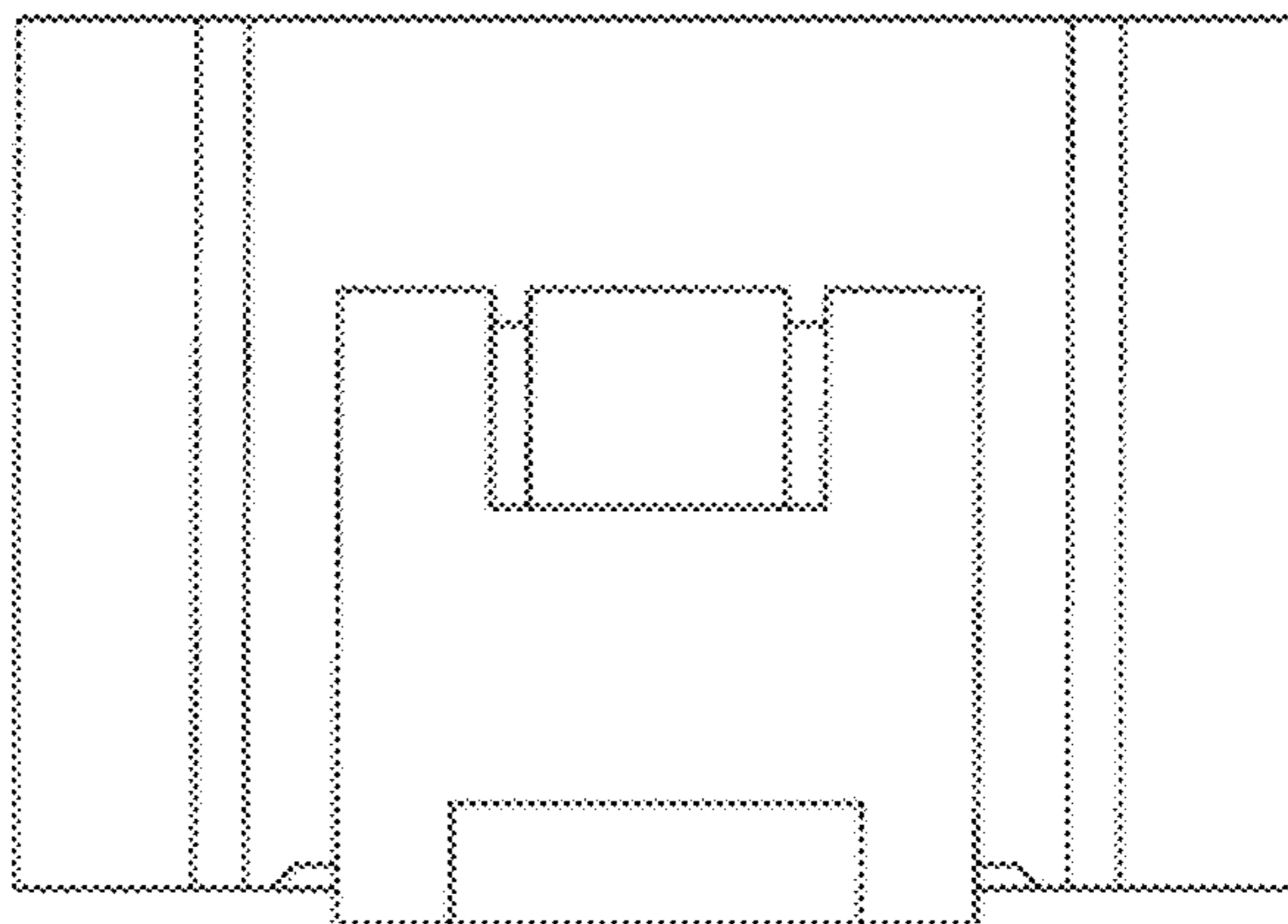


FIG. 5



FIG. 6

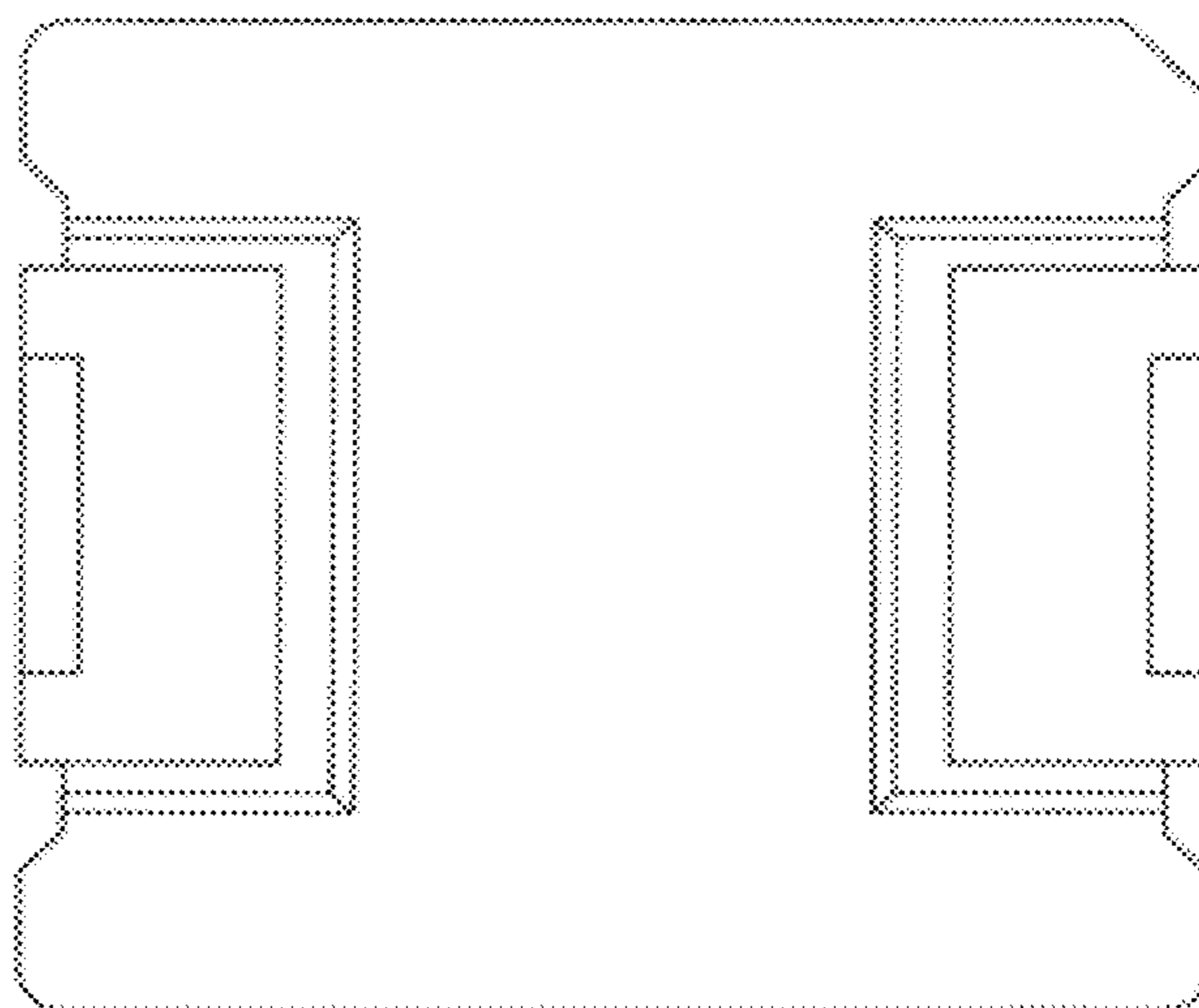


FIG. 7

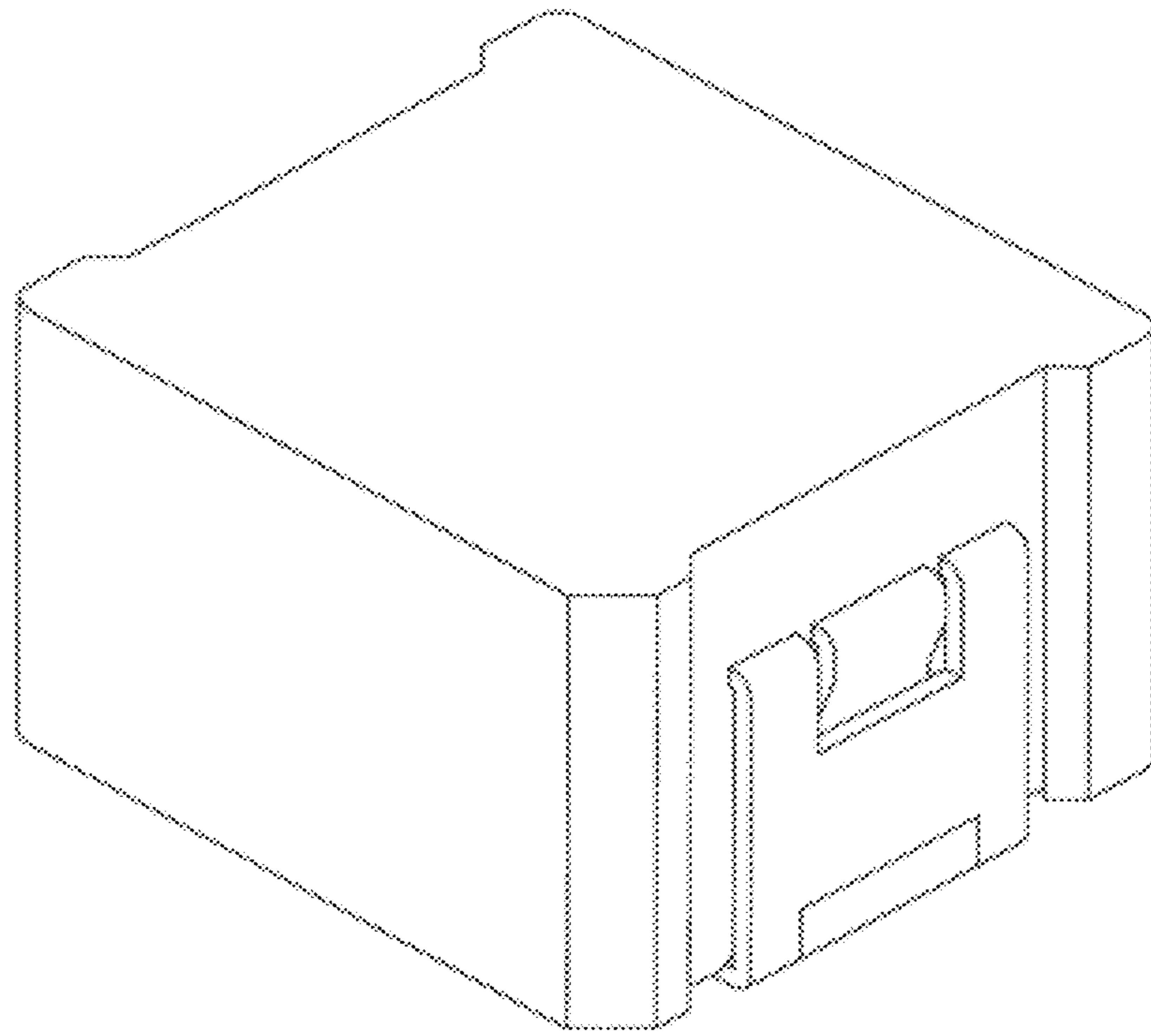


FIG. 8

