

US00D665736S

(12) **United States Design Patent**  
**Presz, Jr. et al.**

(10) **Patent No.:** **US D665,736 S**  
(45) **Date of Patent:** **\*\* Aug. 21, 2012**

(54) **WIND TURBINE**

(75) Inventors: **Walter M. Presz, Jr.**, Wilbraham, MA (US); **Michael J. Werle**, West Hartford, CT (US); **Ercan Dumlupinar**, Palmer, MA (US)

(73) Assignee: **FloDesign Wind Turbine Corporation**, Waltham, MA (US)

(\*\*) Term: **14 Years**

(21) Appl. No.: **29/378,572**

(22) Filed: **Nov. 5, 2010**

**Related U.S. Application Data**

(63) Continuation of application No. 29/378,417, filed on Nov. 4, 2010.

(51) **LOC (9) Cl.** ..... **13-01**

(52) **U.S. Cl.** ..... **D13/115**

(58) **Field of Classification Search** ..... D13/115, D13/118, 122, 199; D12/344, 345; D15/1, D15/199; D21/458; 290/52, 54, 55; 415/916; 416/24, 31, 37, 38, 132 B, 132 R, 141, 142, 416/176, 177, 196 A  
See application file for complete search history.

(56) **References Cited**

**U.S. PATENT DOCUMENTS**

D252,877 S \* 9/1979 Hanson ..... D15/1

4,297,076 A \* 10/1981 Donham et al. .... 416/37  
D267,951 S \* 2/1983 Smith ..... D15/1  
D305,419 S \* 1/1990 Korneski ..... D13/115  
6,168,373 B1 \* 1/2001 Vauthier ..... 415/7  
D487,060 S \* 2/2004 Ehrenberger ..... D13/115  
D517,986 S \* 3/2006 Wobben ..... D13/115  
D543,495 S \* 5/2007 Williams ..... D12/345  
2009/0263244 A1 \* 10/2009 Presz et al. .... 416/1  
2010/0316493 A1 \* 12/2010 Presz et al. .... 415/191

\* cited by examiner

*Primary Examiner* — Derrick Holland

(74) *Attorney, Agent, or Firm* — Fay Sharpe LLP

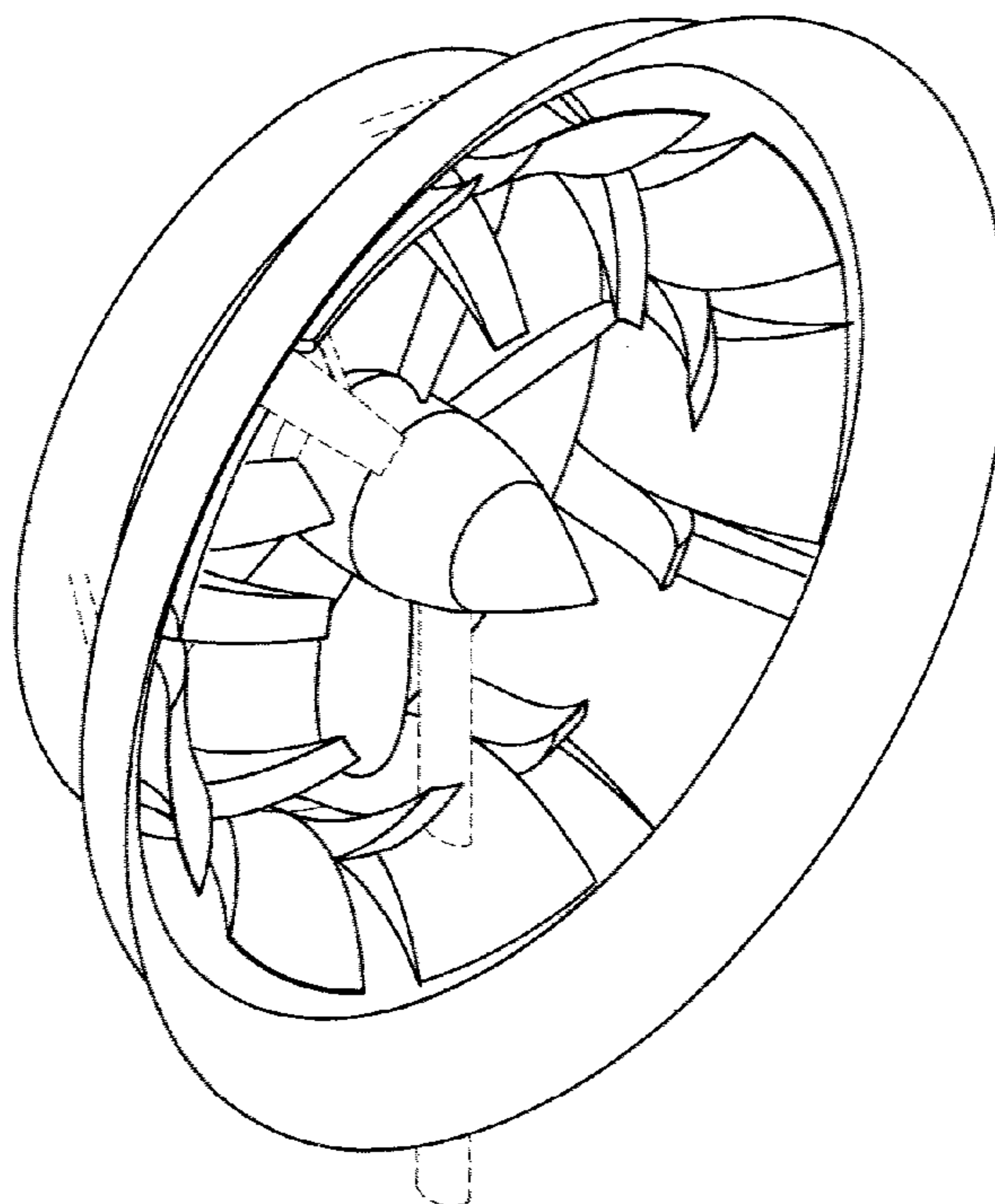
(57) **CLAIM**

The ornamental design for a wind turbine, as shown and described.

**DESCRIPTION**

FIG. 1 is a front view of the wind turbine;  
FIG. 2 is a left side view of the wind turbine;  
FIG. 3 is a rear view of the wind turbine;  
FIG. 4 is a right side view the wind turbine;  
FIG. 5 is a top view of the wind turbine;  
FIG. 6 is a bottom view of the wind turbine;  
FIG. 7 is a top front left perspective view of the wind turbine;  
and,  
FIG. 8 is a top rear left perspective view of the wind turbine.  
The broken lines shown represent unclaimed subject matter and form no part of the claimed design.

**1 Claim, 4 Drawing Sheets**



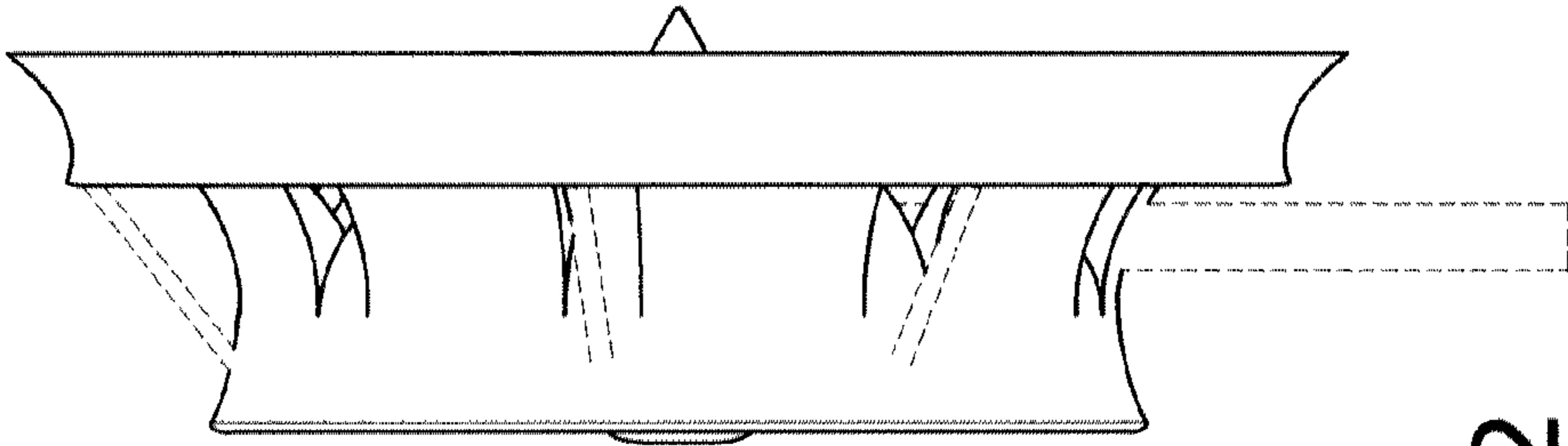


FIG. 2

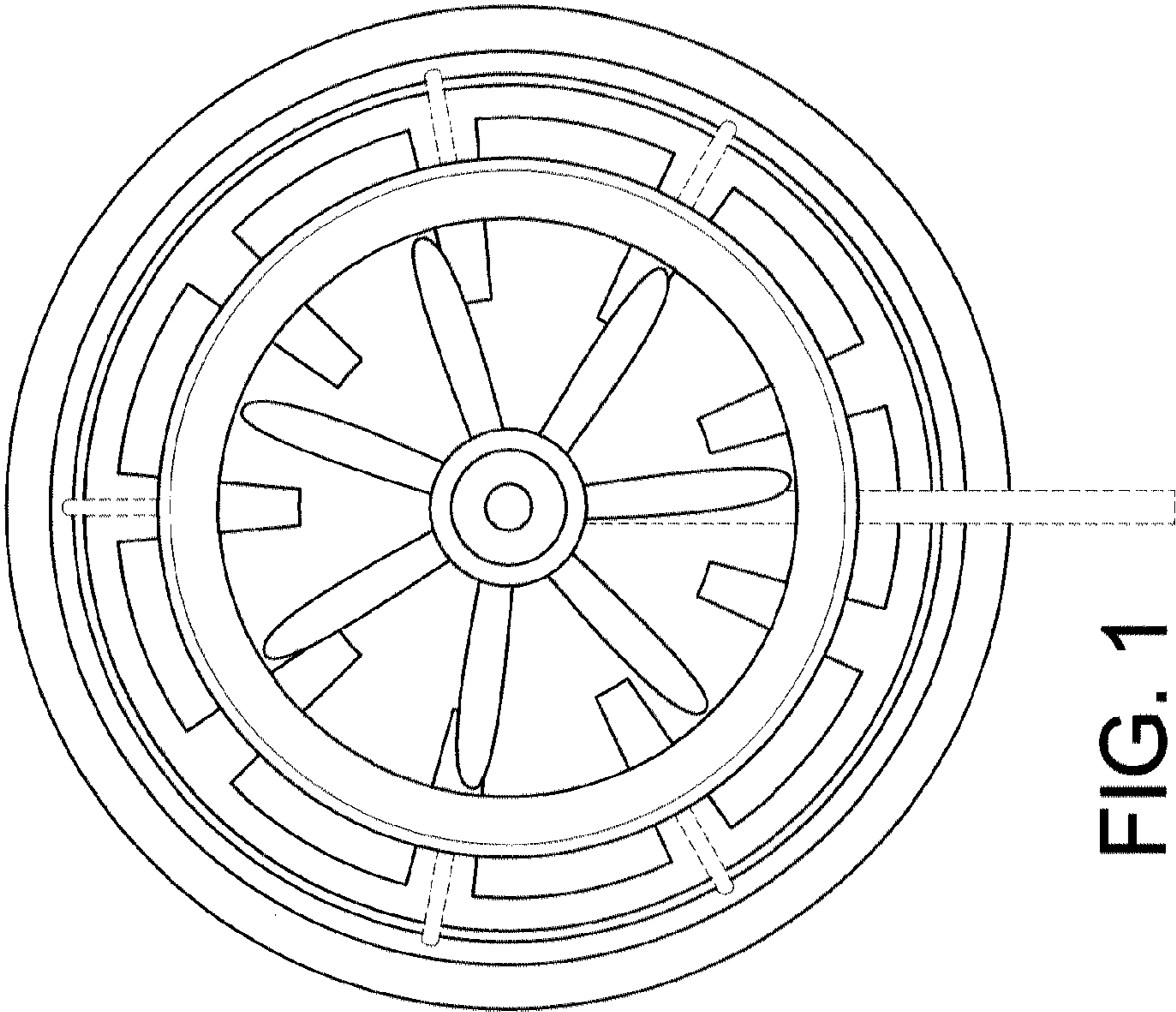


FIG. 1

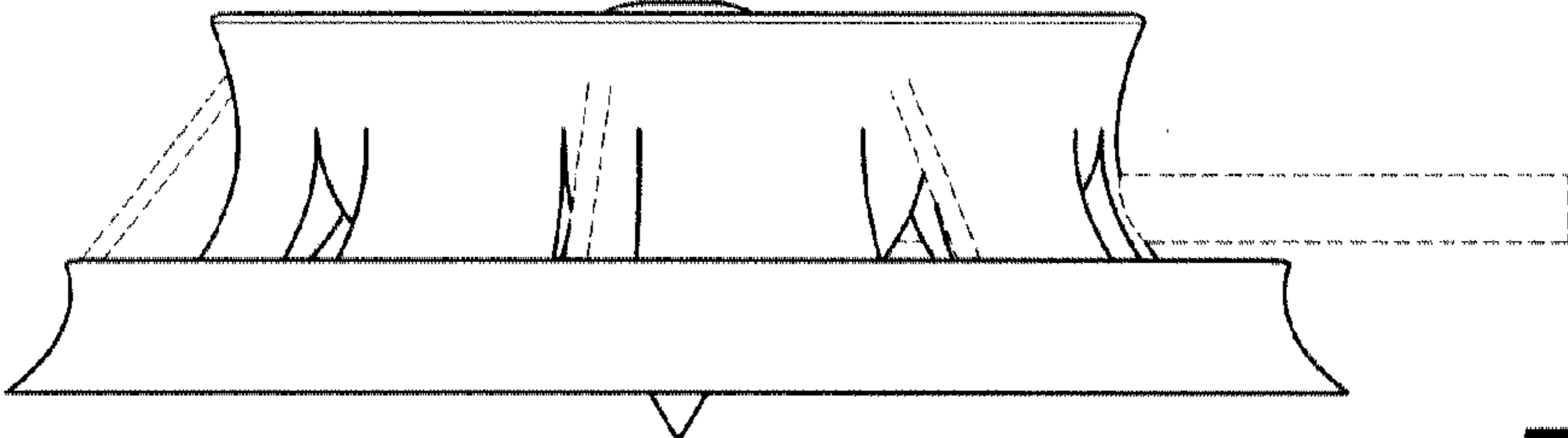


FIG. 4

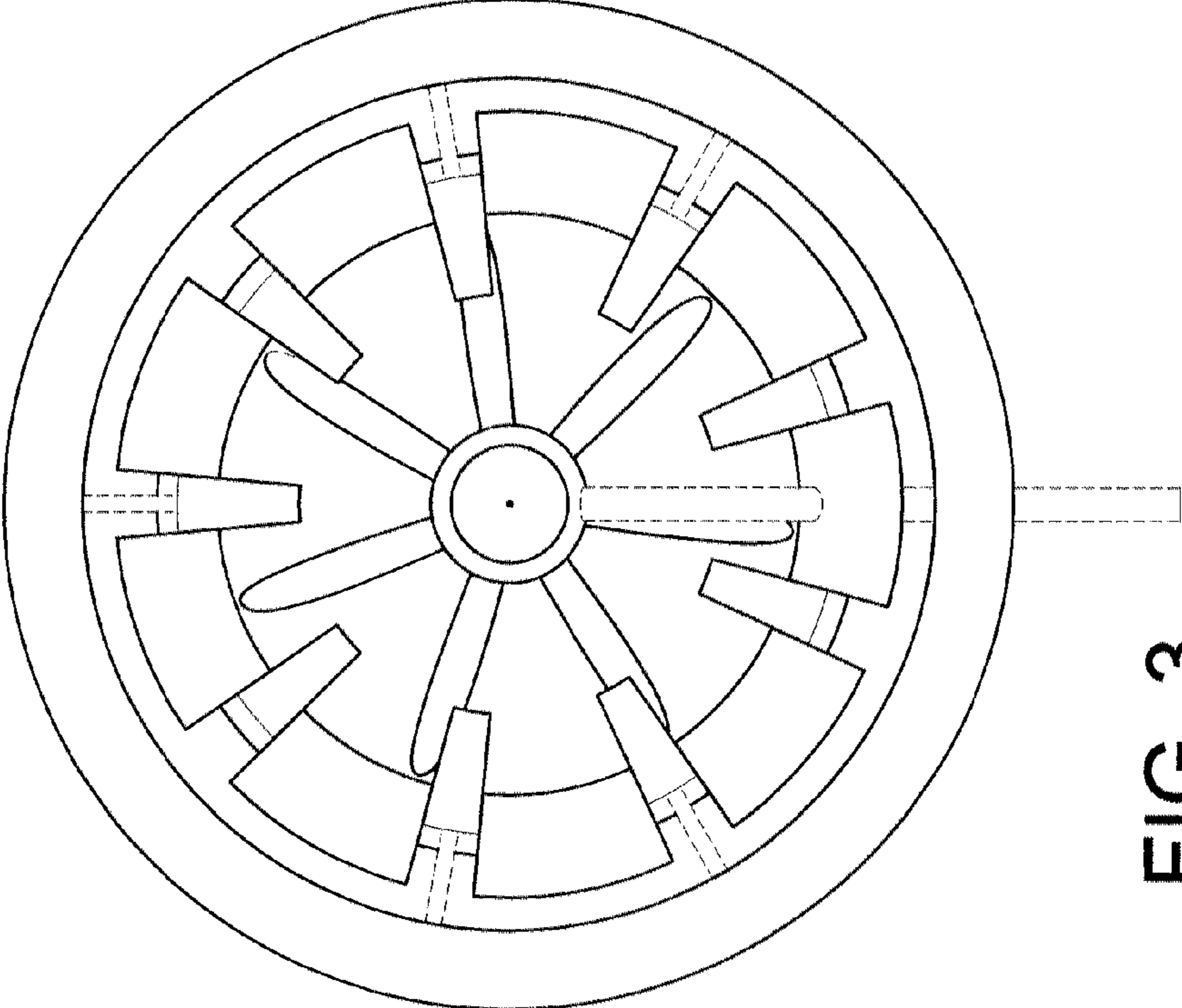


FIG. 3

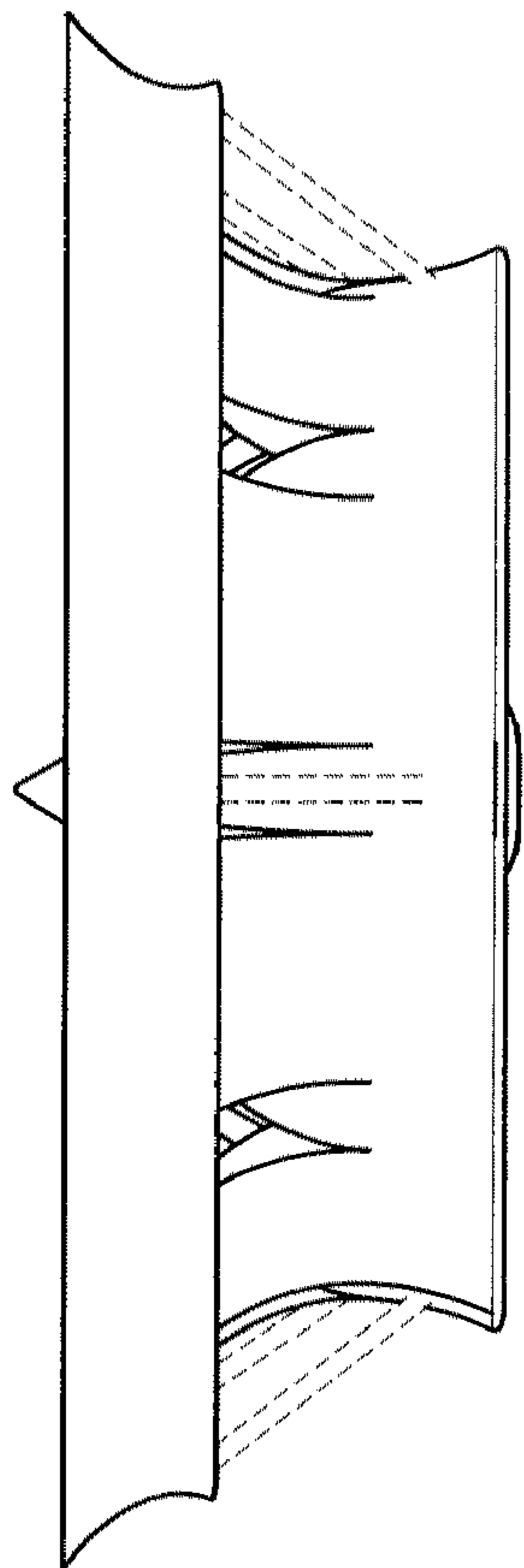


FIG. 5

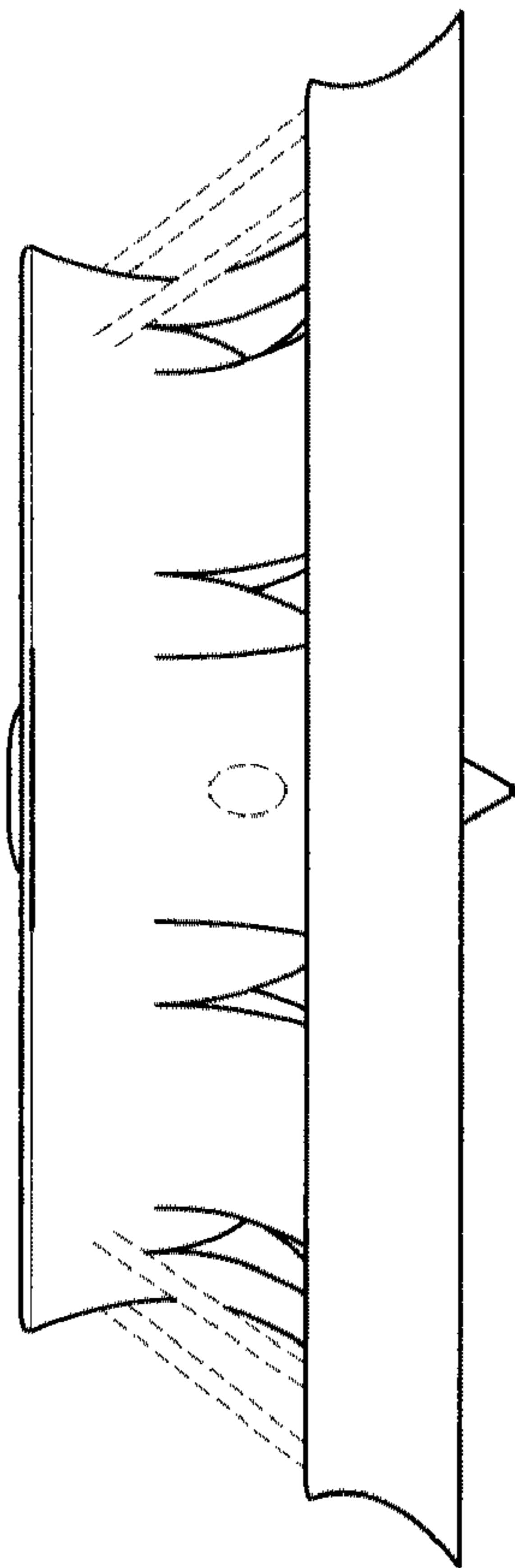


FIG. 6



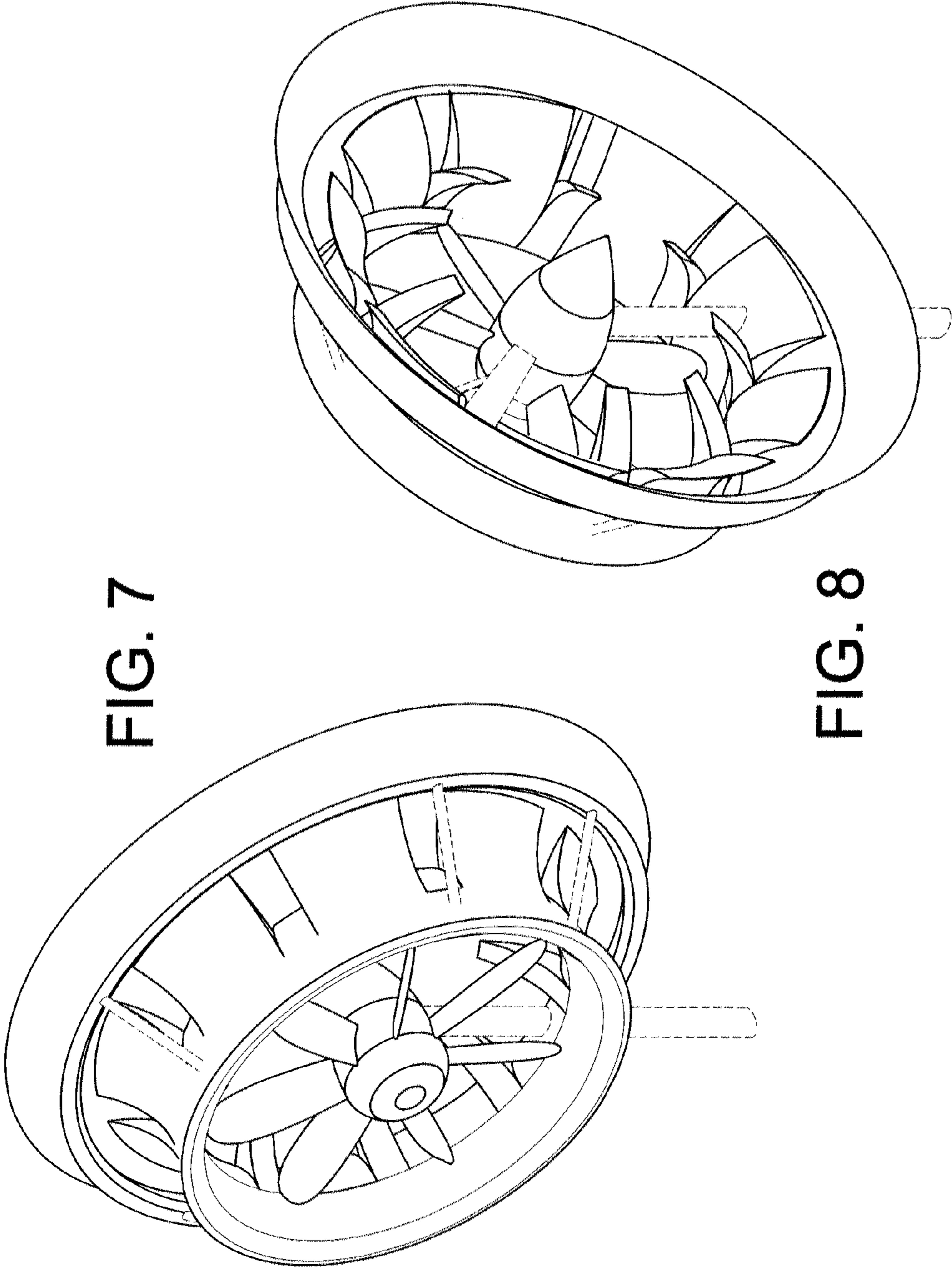


FIG. 7

FIG. 8