



US00D665735S

(12) **United States Design Patent**
Kang et al.

(10) **Patent No.:** **US D665,735 S**

(45) **Date of Patent:** **** Aug. 21, 2012**

(54) **CHARGING SLEEVE**

(75) Inventors: **Donwoong Kang**, Camillus, NY (US);
Jonathan A. Fitch, Syracuse, NY (US)

(73) Assignee: **Eveready Battery Company, Inc.**, St.
Louis, MO (US)

(**) Term: **14 Years**

(21) Appl. No.: **29/410,190**

(22) Filed: **Jan. 5, 2012**

(51) **LOC (9) Cl.** **13-02**

(52) **U.S. Cl.** **D13/108; D14/250**

(58) **Field of Classification Search** D13/107-110,
D13/118-119, 184; D14/250-253, 432,
D14/434, 440, 203.3-203.7, 217, 496, 248,
D14/238.1; 320/107-115; D3/201, 218,
D3/269, 301, 273, 303

See application file for complete search history.

(56) **References Cited**

U.S. PATENT DOCUMENTS

D597,089	S	*	7/2009	Khan et al.	D14/250
D617,784	S	*	6/2010	Richardson et al.	D14/250
D624,908	S	*	10/2010	Huskinson	D14/250
D624,909	S	*	10/2010	Huskinson	D14/250
7,859,222	B2	*	12/2010	Woud	320/115
D634,741	S	*	3/2011	Richardson et al.	D14/250
D637,589	S	*	5/2011	Willes et al.	D14/250
D641,013	S	*	7/2011	Richardson et al.	D14/250
D642,169	S	*	7/2011	Andre et al.	D14/250

D647,519	S	*	10/2011	Rothbaum et al.	D14/250
D651,204	S	*	12/2011	Wibby et al.	D14/250
D654,491	S	*	2/2012	Melanson et al.	D14/250
D658,166	S	*	4/2012	Bau	D14/250
D658,643	S	*	5/2012	Fahrendorff et al.	D14/250
D658,644	S	*	5/2012	Melanson et al.	D14/250
D659,691	S	*	5/2012	Kim et al.	D14/250
2009/0160399	A1	*	6/2009	Woud	320/115
2009/0160400	A1	*	6/2009	Woud	320/115
2010/0013431	A1	*	1/2010	Liu	320/108
2010/0231165	A1	*	9/2010	Griffin, Jr.	320/112
2012/0013294	A1	*	1/2012	Yeh	320/108
2012/0013295	A1	*	1/2012	Yeh	320/108

* cited by examiner

Primary Examiner — Rosemary K Tarcza

(74) *Attorney, Agent, or Firm* — Michael C. Pophal

(57) **CLAIM**

We claim the ornamental design for a charging sleeve, as shown and described.

DESCRIPTION

FIG. 1 is a front perspective view of the charging sleeve.

FIG. 2 is a rear perspective view of the design.

FIG. 3 is a front view of the design.

FIG. 4 is a rear view of the design.

FIG. 5 is a bottom view of the design.

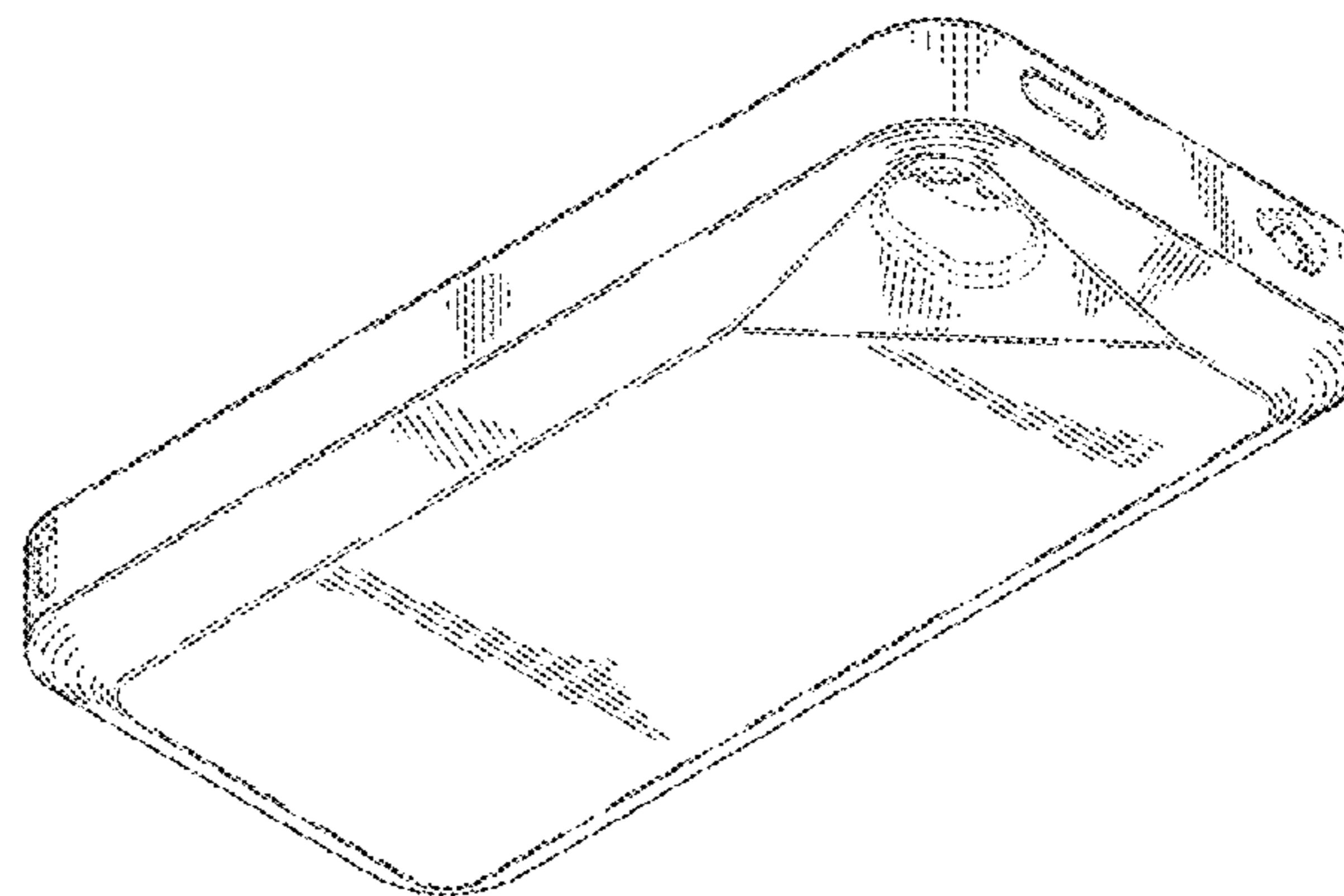
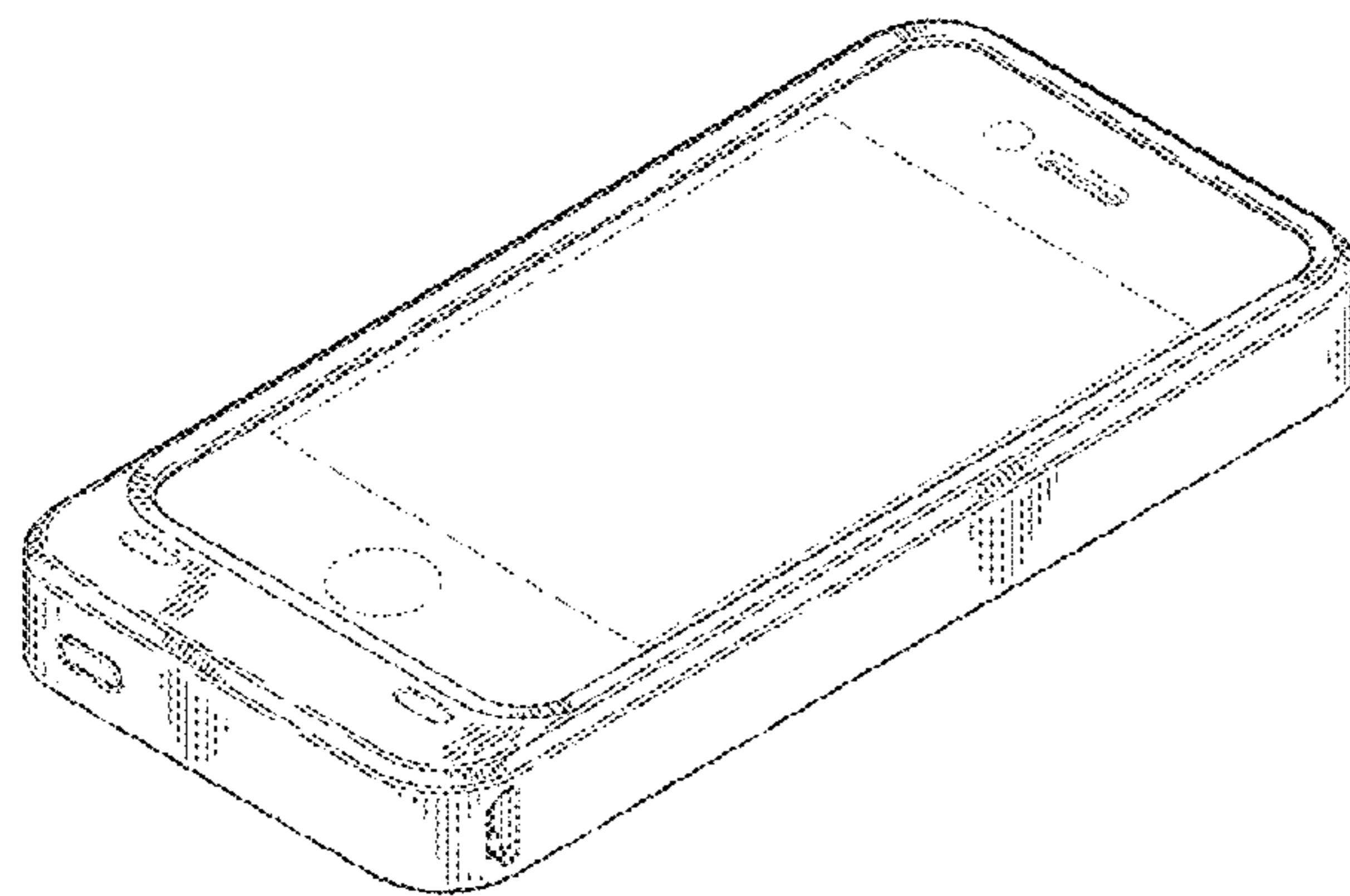
FIG. 6 is a top side view of the design.

FIG. 7 is a right side view of the design; and,

FIG. 8 is a left side view of the design.

Any broken line(s) shown are for illustrative purposes only and form no part of the claimed design.

1 Claim, 6 Drawing Sheets



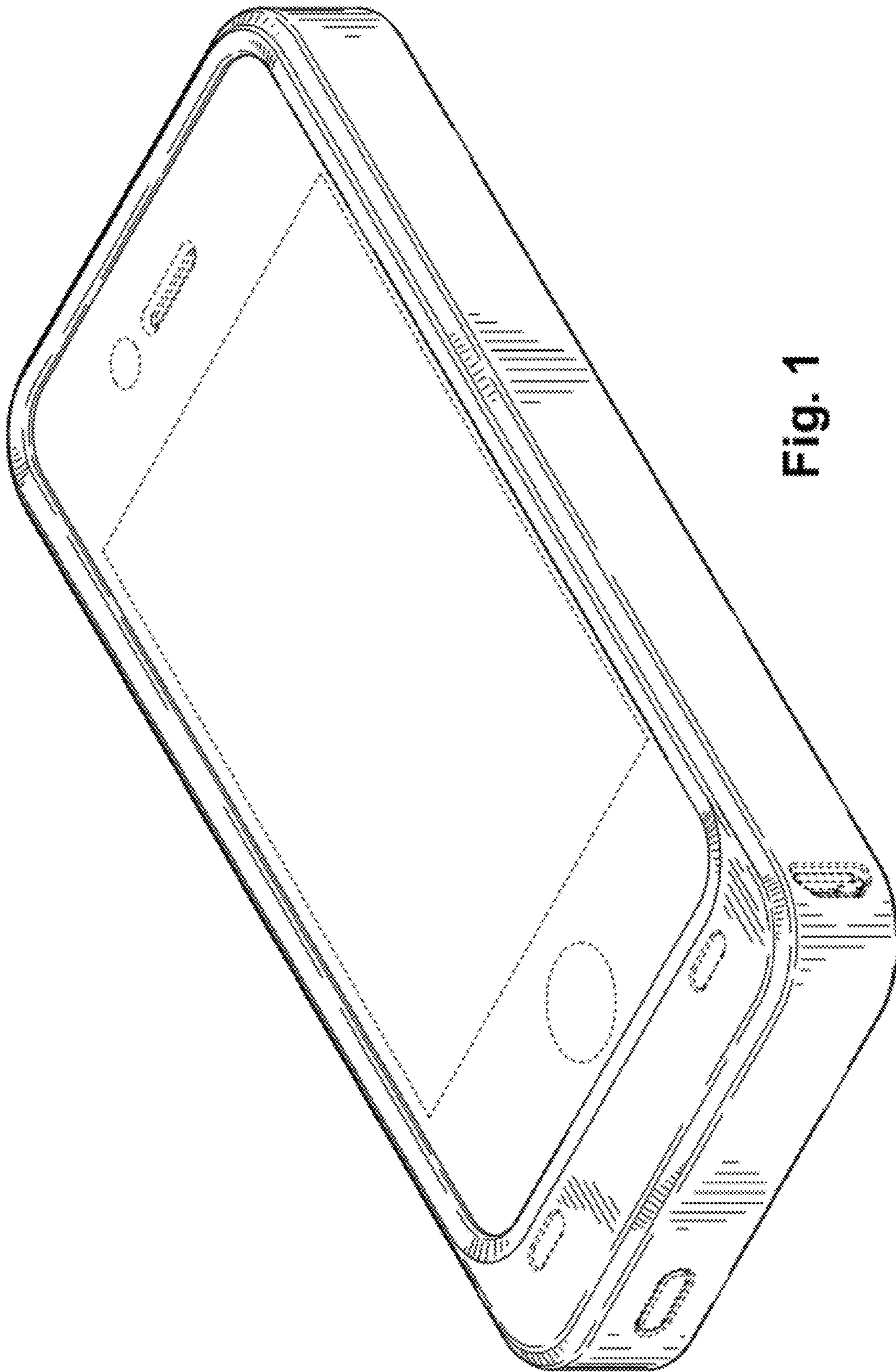


Fig. 1

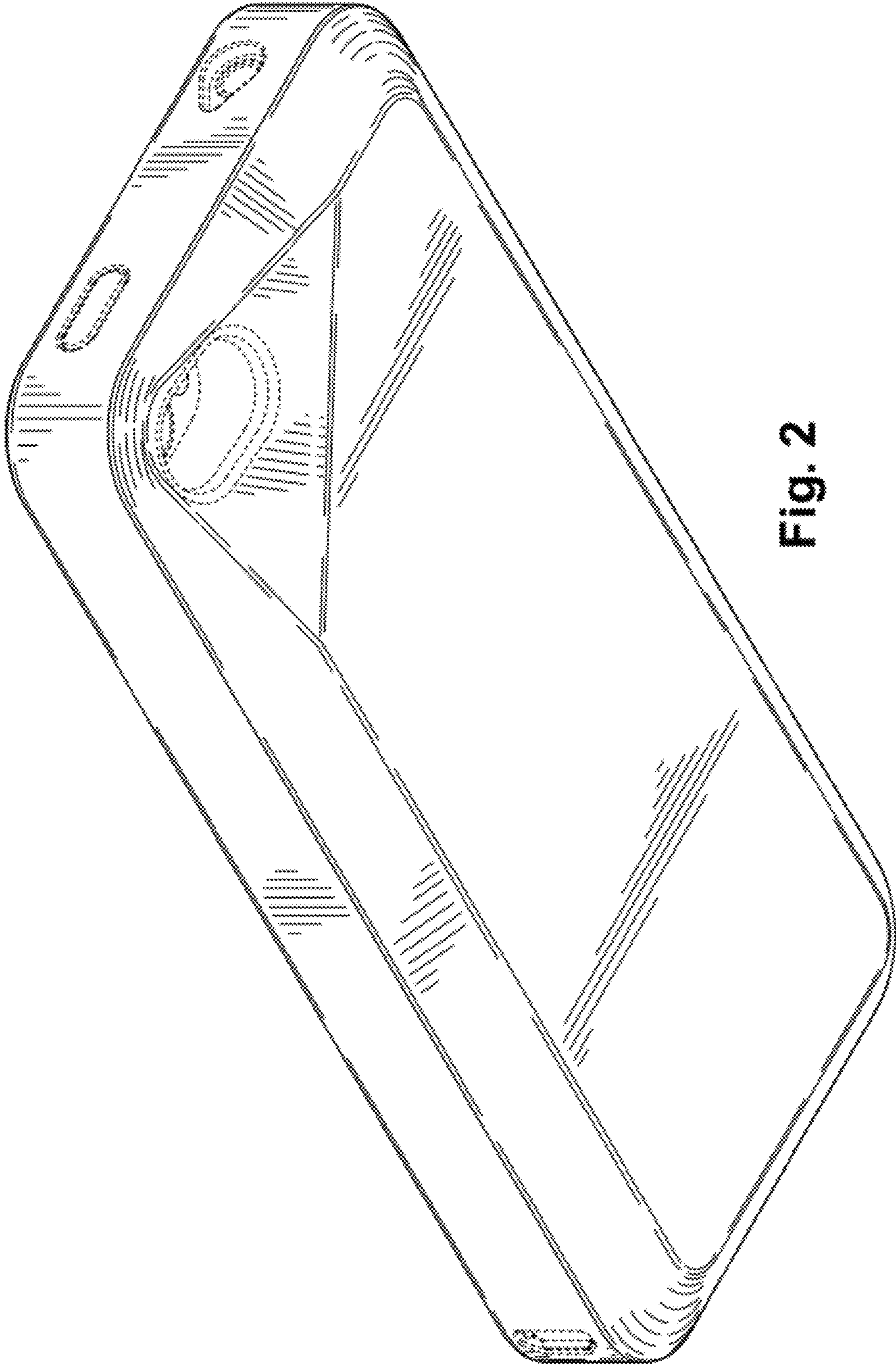


Fig. 2

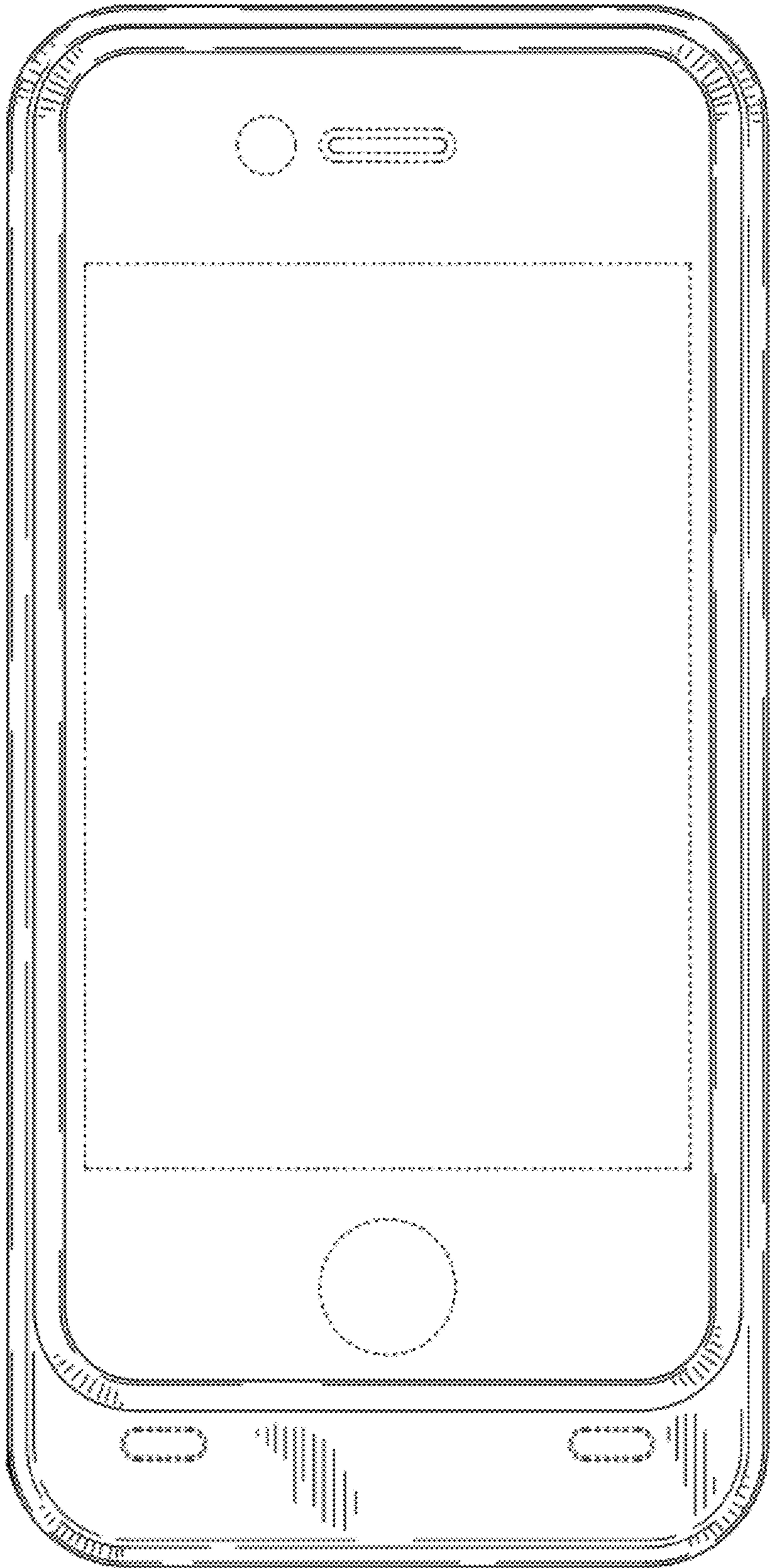


Fig. 3

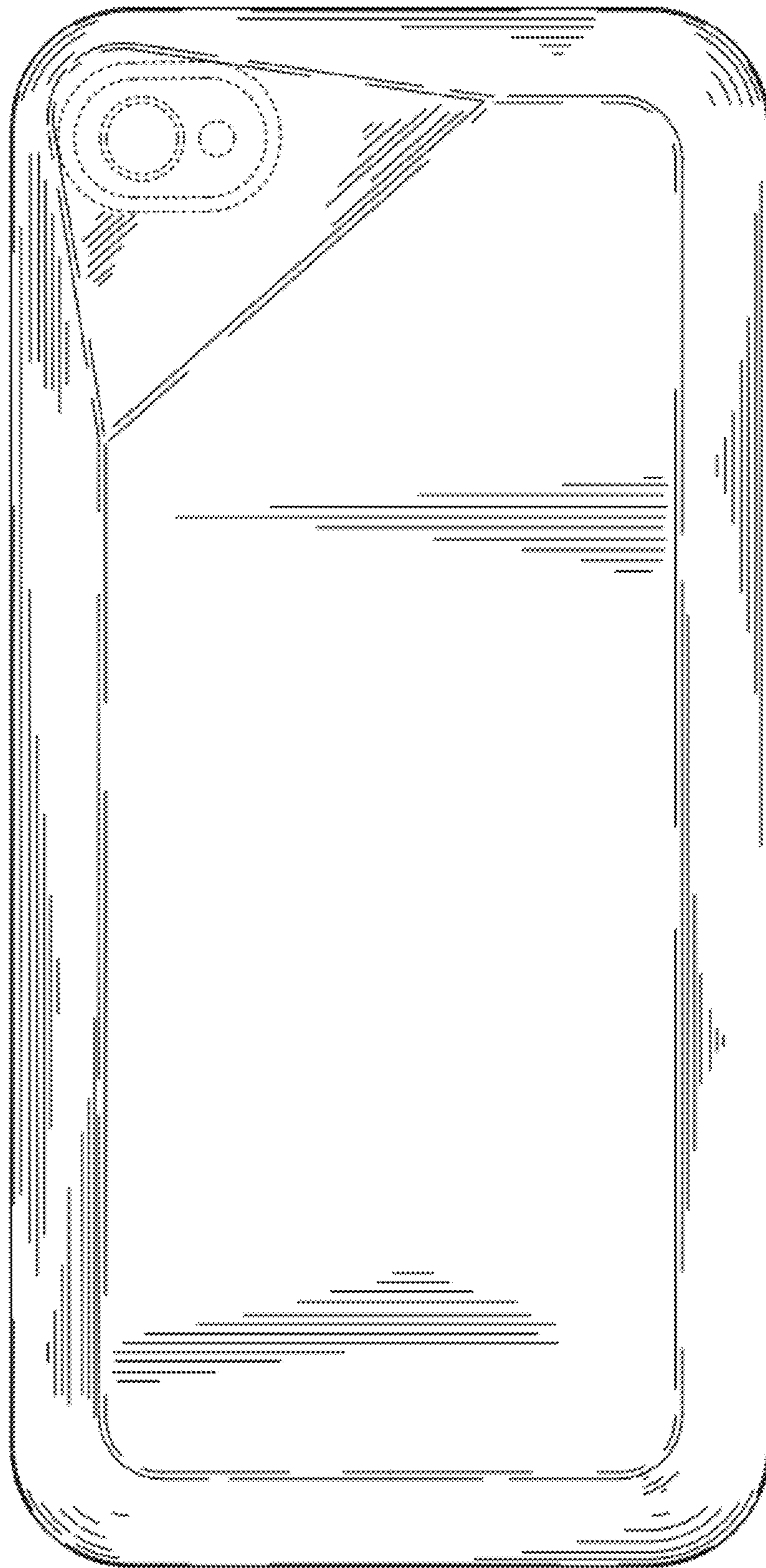


Fig. 4

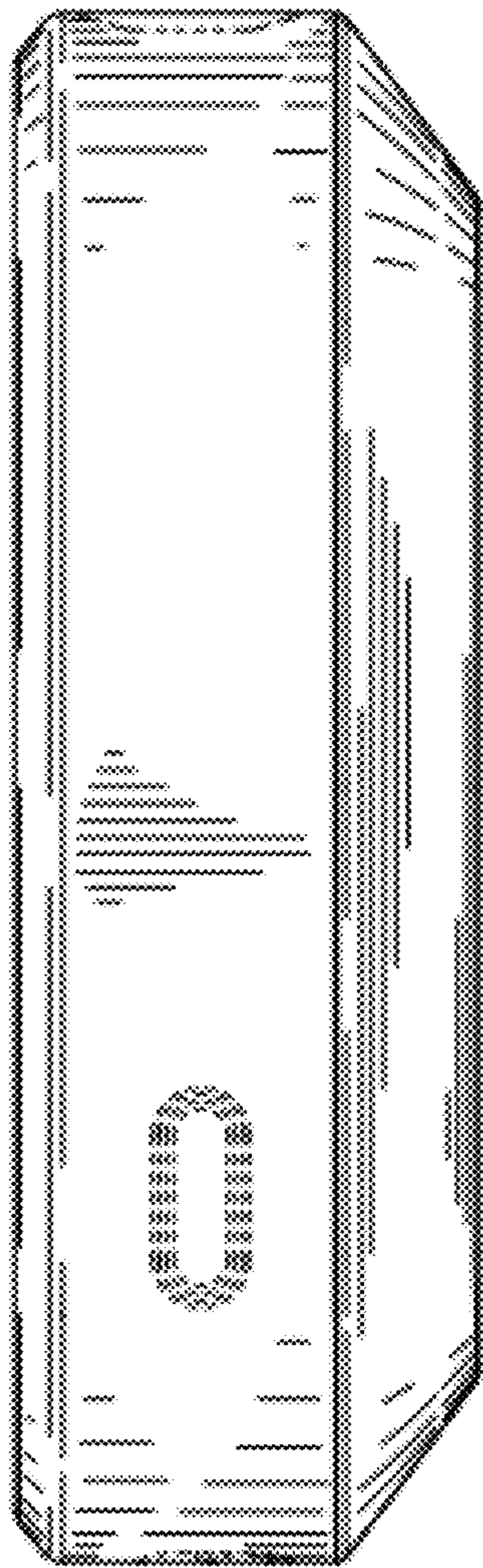


Fig. 5

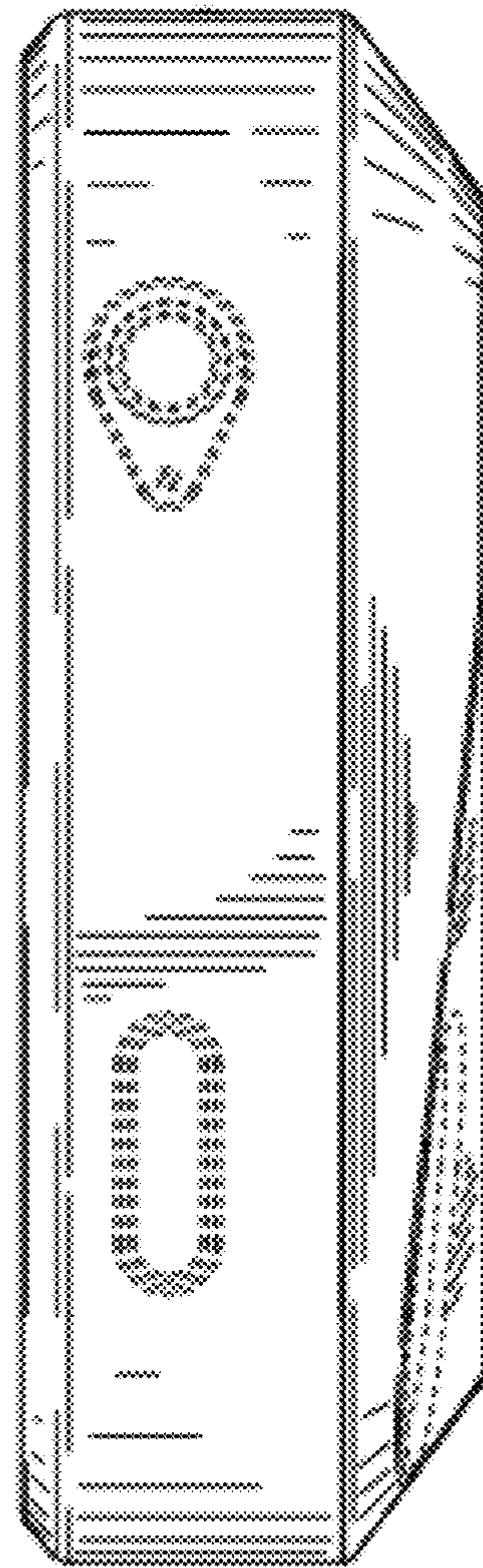


Fig. 6

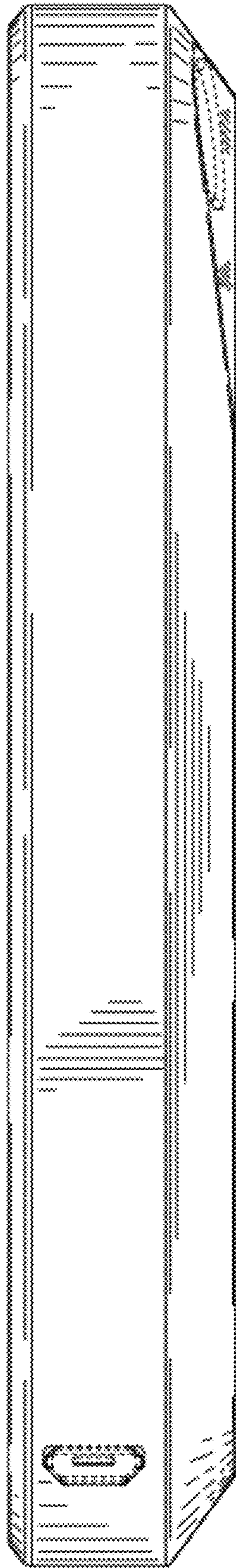


Fig. 7

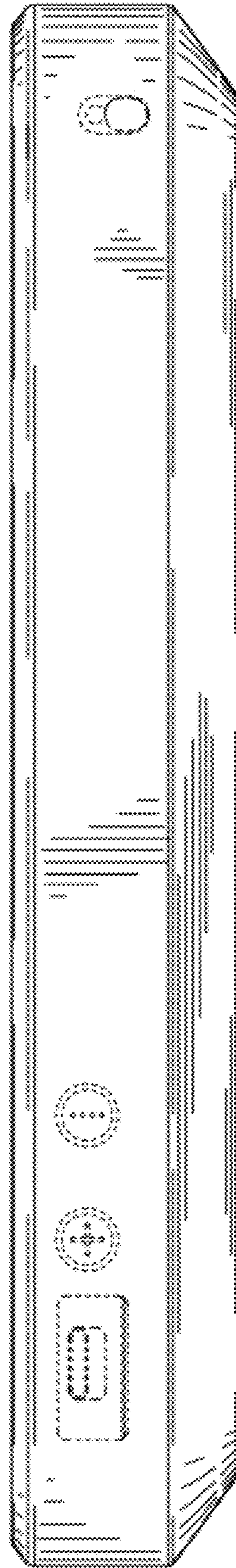


Fig. 8