

US00D665733S

(12) **United States Design Patent**
Petrie et al.

(10) **Patent No.:** **US D665,733 S**
(45) **Date of Patent:** **** Aug. 21, 2012**

- (54) **ELECTRIC VEHICLE CHARGER**
- (75) Inventors: **Greg A Petrie**, San Dimas, CA (US);
Holden Alexander Bonwit, Los Angeles, CA (US); **Jeff Salazar**, Palo Alto, CA (US); **Evelyne Chaubert**, San Francisco, CA (US); **Lea Sandra Kobeli**, San Francisco, CA (US)
- (73) Assignee: **AeroVironment, Inc.**, Monrovia, CA (US)

D641,316	S	*	7/2011	Schneiderat	D13/107
D641,694	S		7/2011	Akahori et al.		
D647,053	S	*	10/2011	Gotou et al.	D13/107
D651,561	S	*	1/2012	Petrie et al.	D13/107
D652,791	S	*	1/2012	Petrie et al.	D13/107
D654,430	S	*	2/2012	Demers et al.	D13/107
D654,858	S	*	2/2012	Salazar et al.	D13/107
D654,859	S	*	2/2012	Callender	D13/107
D655,242	S	*	3/2012	Holthusen	D13/107
2008/0174268	A1		7/2008	Koo et al.		
2011/0043355	A1		2/2011	Chander et al.		
2011/0169447	A1		7/2011	Brown et al.		

* cited by examiner

- (**) Term: **14 Years**
- (21) Appl. No.: **29/408,172**
- (22) Filed: **Dec. 7, 2011**

Primary Examiner — Rosemary K Tarcza
(74) *Attorney, Agent, or Firm* — Christopher R. Balzan; Eric J. Aagaard

Related U.S. Application Data

- (62) Division of application No. 29/360,201, filed on Apr. 21, 2010, now Pat. No. Des. 652,791.
- (51) **LOC (9) Cl.** **13-02**
- (52) **U.S. Cl.** **D13/107**
- (58) **Field of Classification Search** D13/106–110, D13/118–119, 184, 199; D15/9; 320/103–115
See application file for complete search history.

(57) **CLAIM**

The ornamental design for a electric vehicle charger, as shown and described.

DESCRIPTION

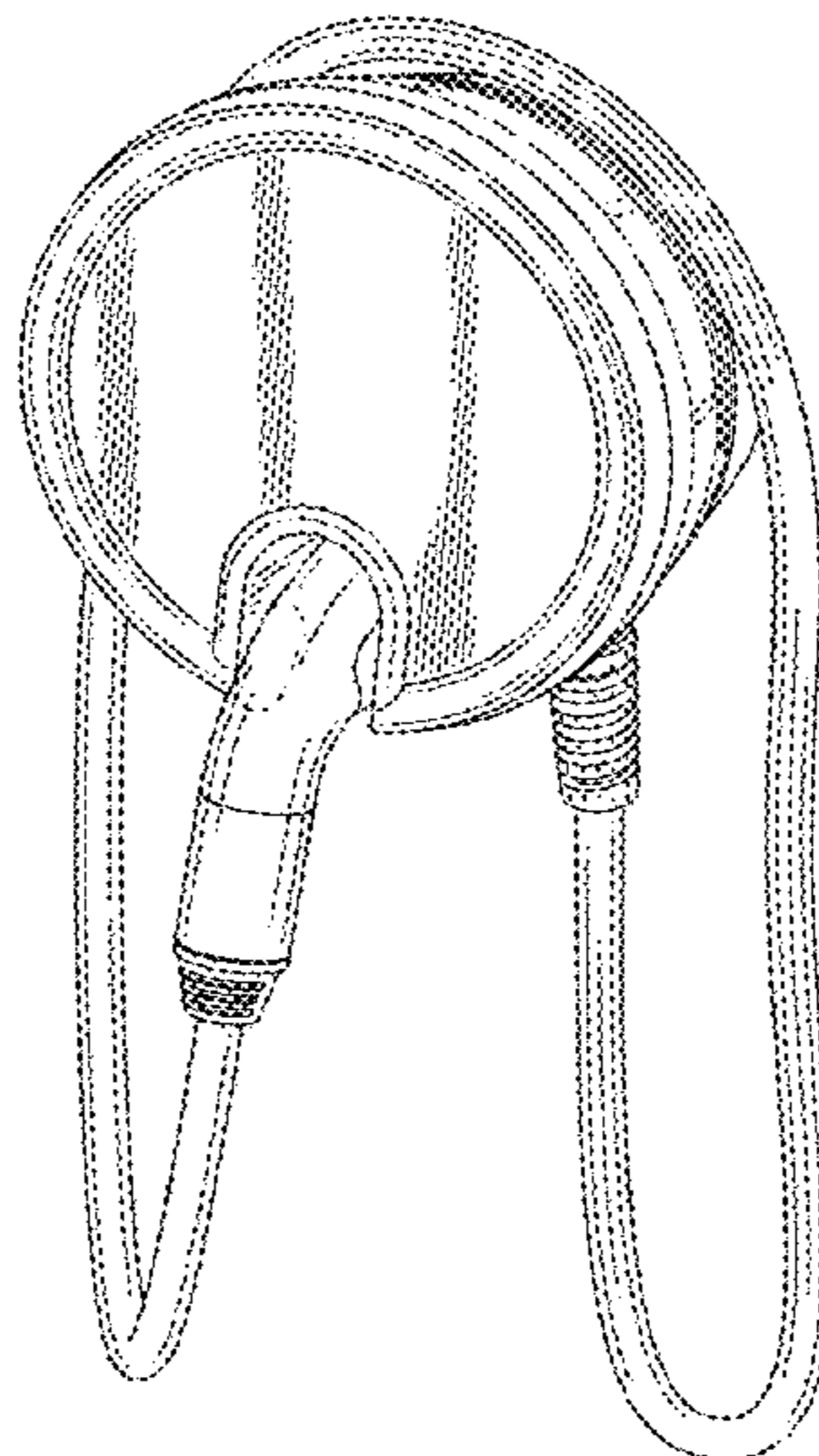
FIG. 1 is a front-right-top perspective view of an embodiment of an electric vehicle charger;
FIG. 2 is a front view of the electric vehicle charger of FIG. 1;
FIG. 3 is a right side view of the electric vehicle charger of FIG. 1;
FIG. 4 is a left side view of the electric vehicle charger of FIG. 1;
FIG. 5 is a rear view of the electric vehicle charger of FIG. 1;
FIG. 6 is a top view of the electric vehicle charger of FIG. 1;
FIG. 7 is a bottom view of the electric vehicle charger of FIG. 1; and,
FIG. 8 is a back-left-top perspective view of an electric vehicle charger of FIG. 1.
The broken lines and the unshaded region therein are for illustrative purposes only and form no part of the claimed design.

(56) **References Cited**

U.S. PATENT DOCUMENTS

D300,678	S	4/1989	Barrault		
D511,492	S	11/2005	Allende Fritsch		
D524,243	S	7/2006	Lee		
D537,409	S	2/2007	Suzuki		
D548,688	S	8/2007	Fee et al.		
D608,734	S	1/2010	Smith		
D620,884	S	8/2010	Lee et al.		
D626,063	S	10/2010	Cutter et al.		
D628,151	S	* 11/2010	Wegener et al.	D13/108
D628,960	S	* 12/2010	Shimizu et al.	D13/107
D632,645	S	* 2/2011	Blain	D13/107
D634,267	S	3/2011	Blain		

1 Claim, 7 Drawing Sheets



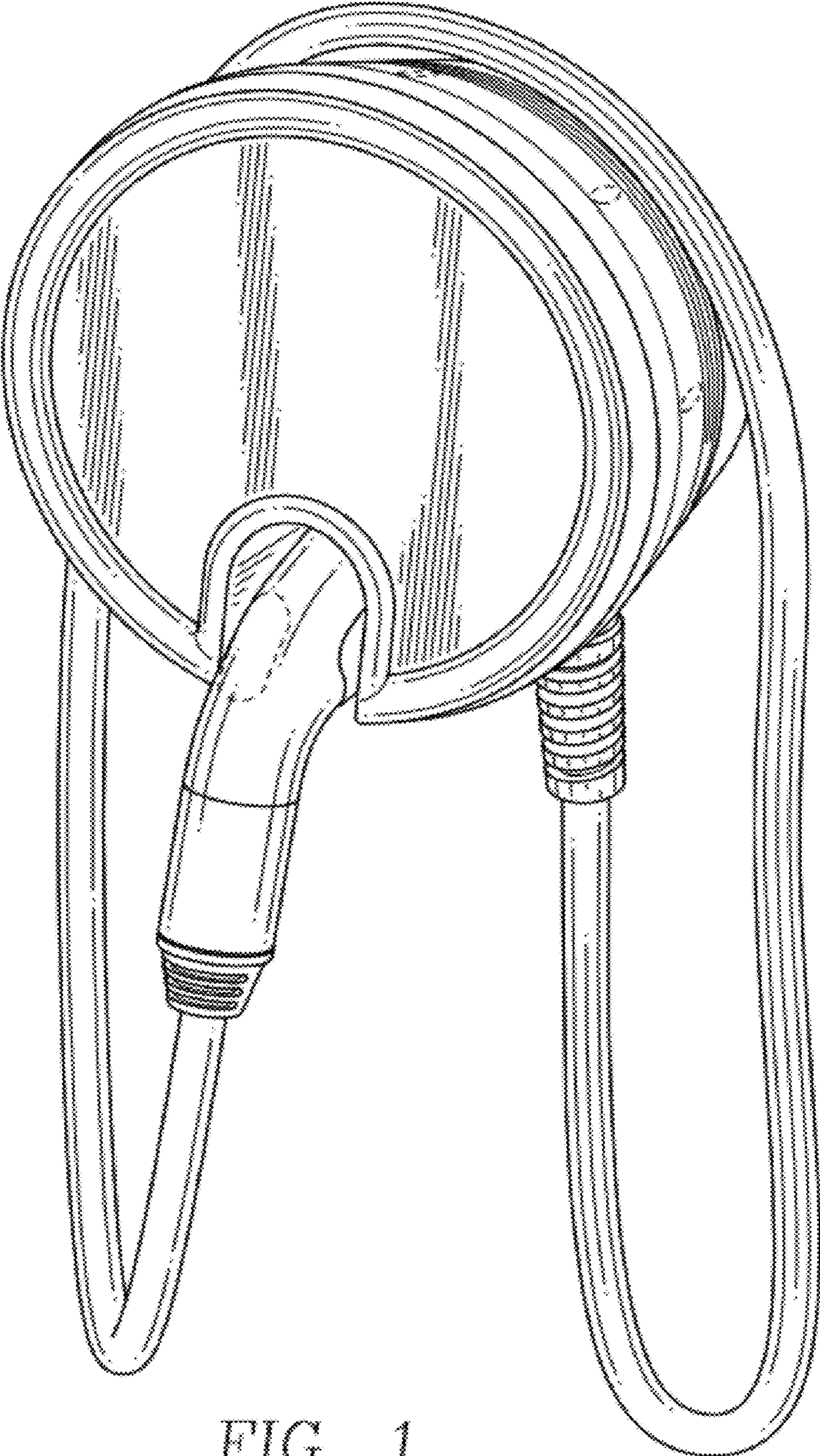


FIG. 1

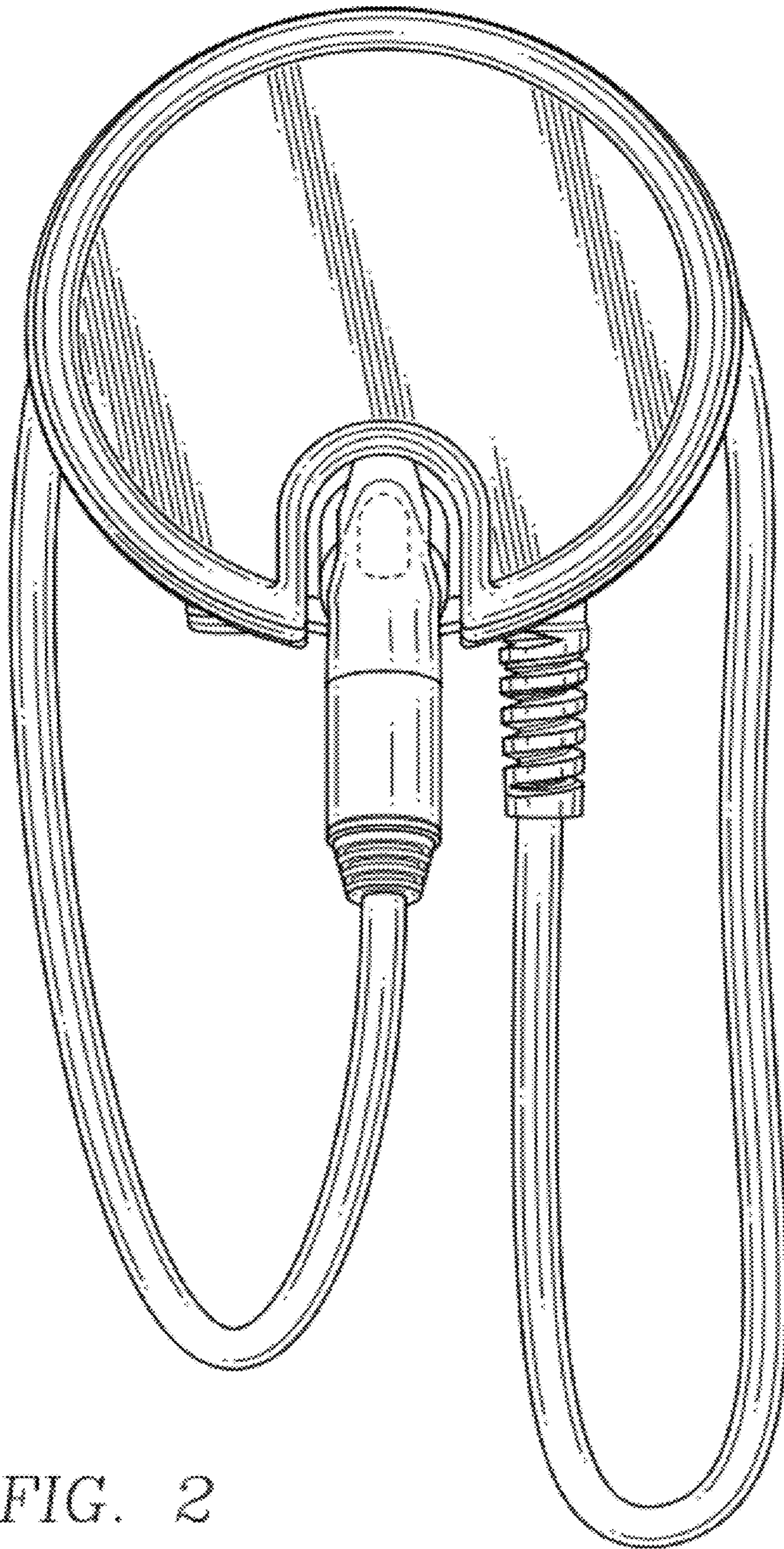


FIG. 2

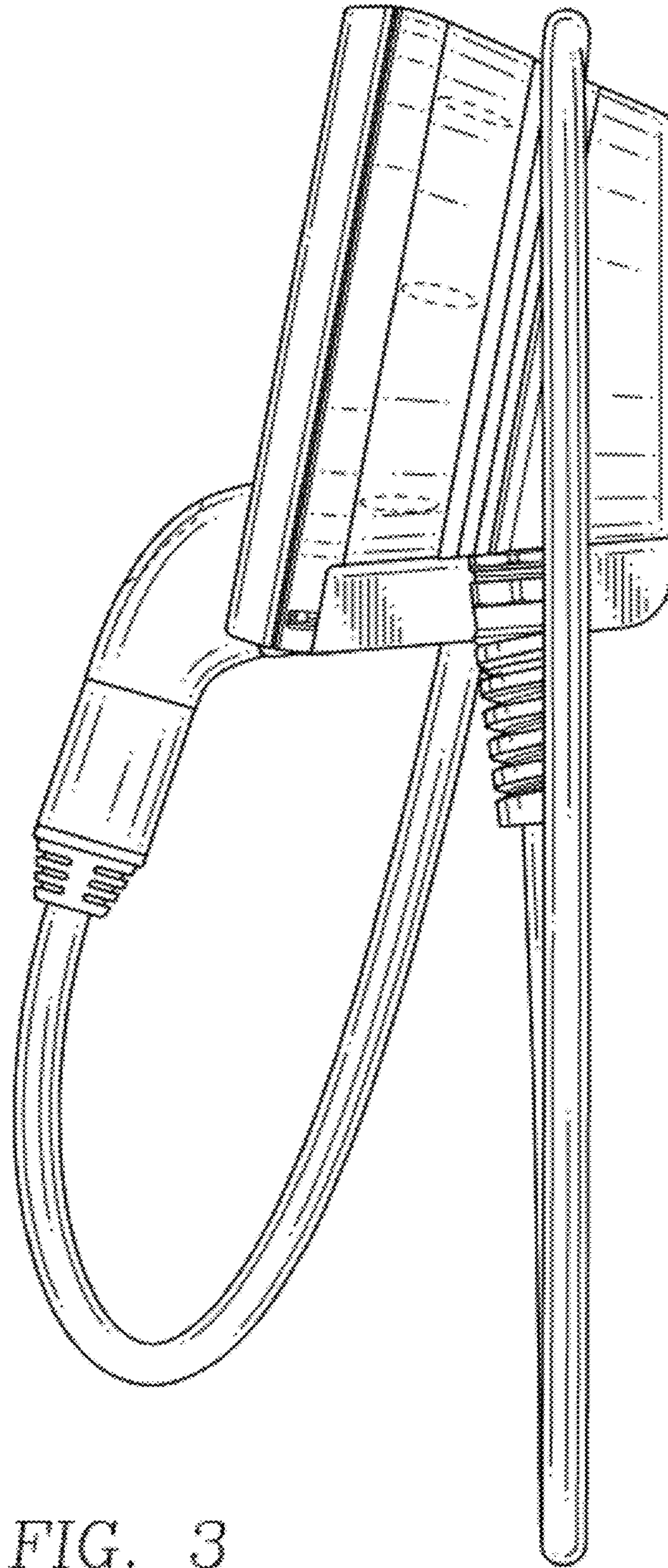


FIG. 3

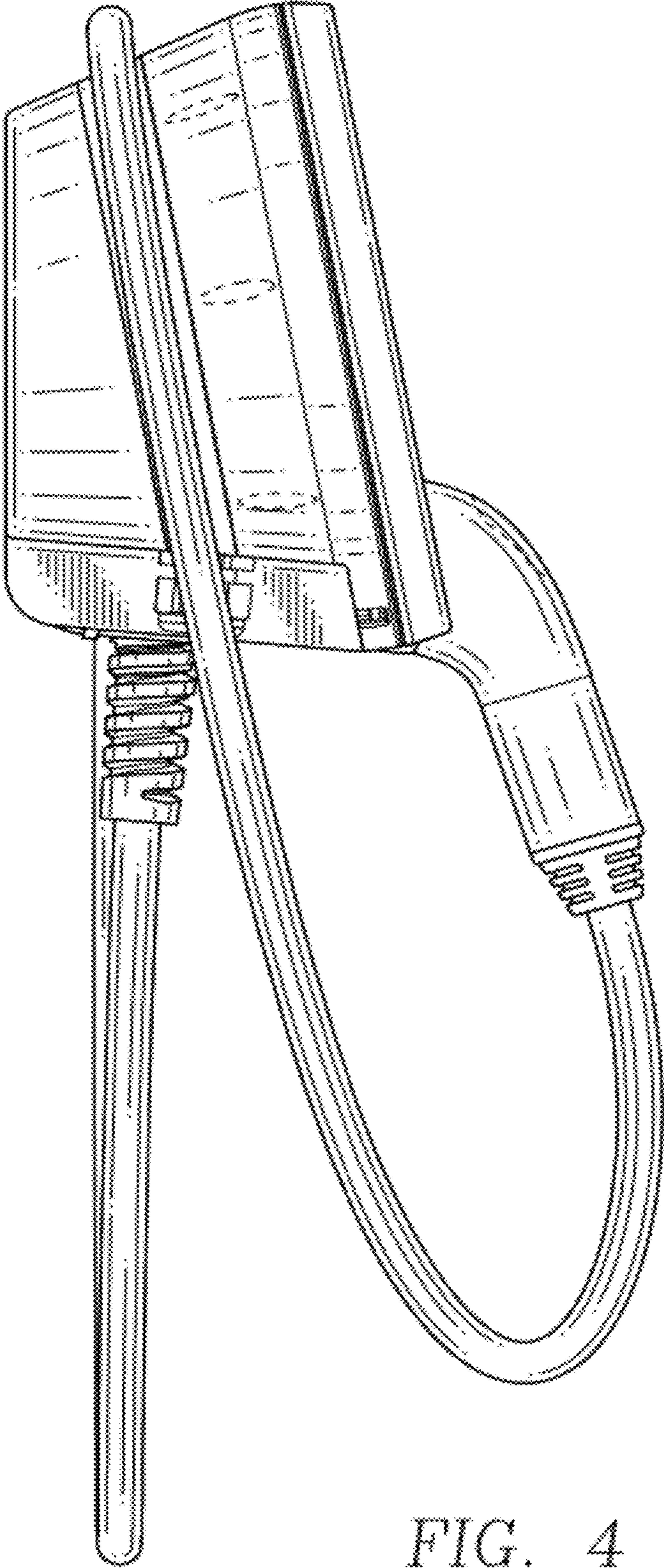


FIG. 4

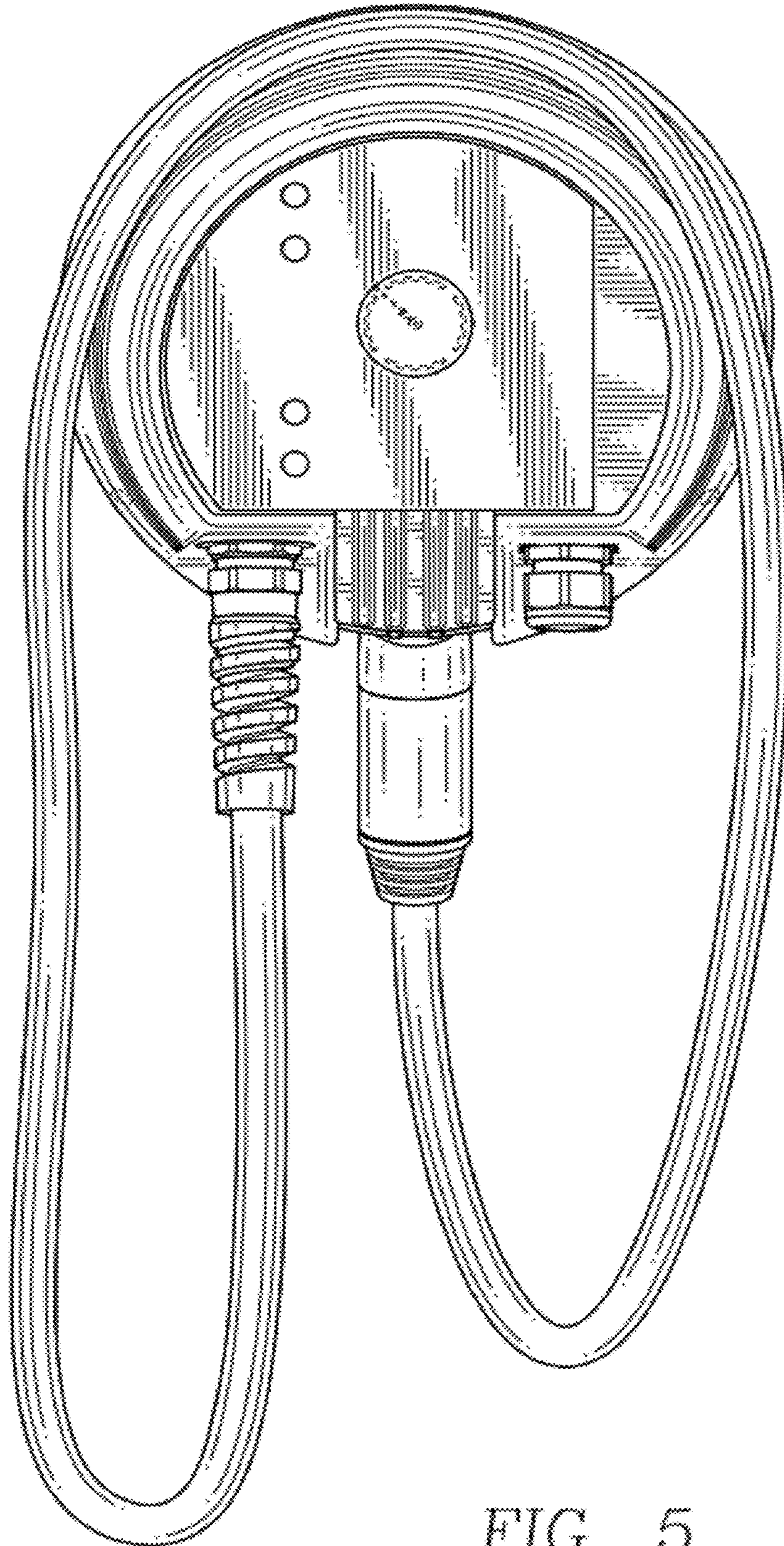


FIG. 5

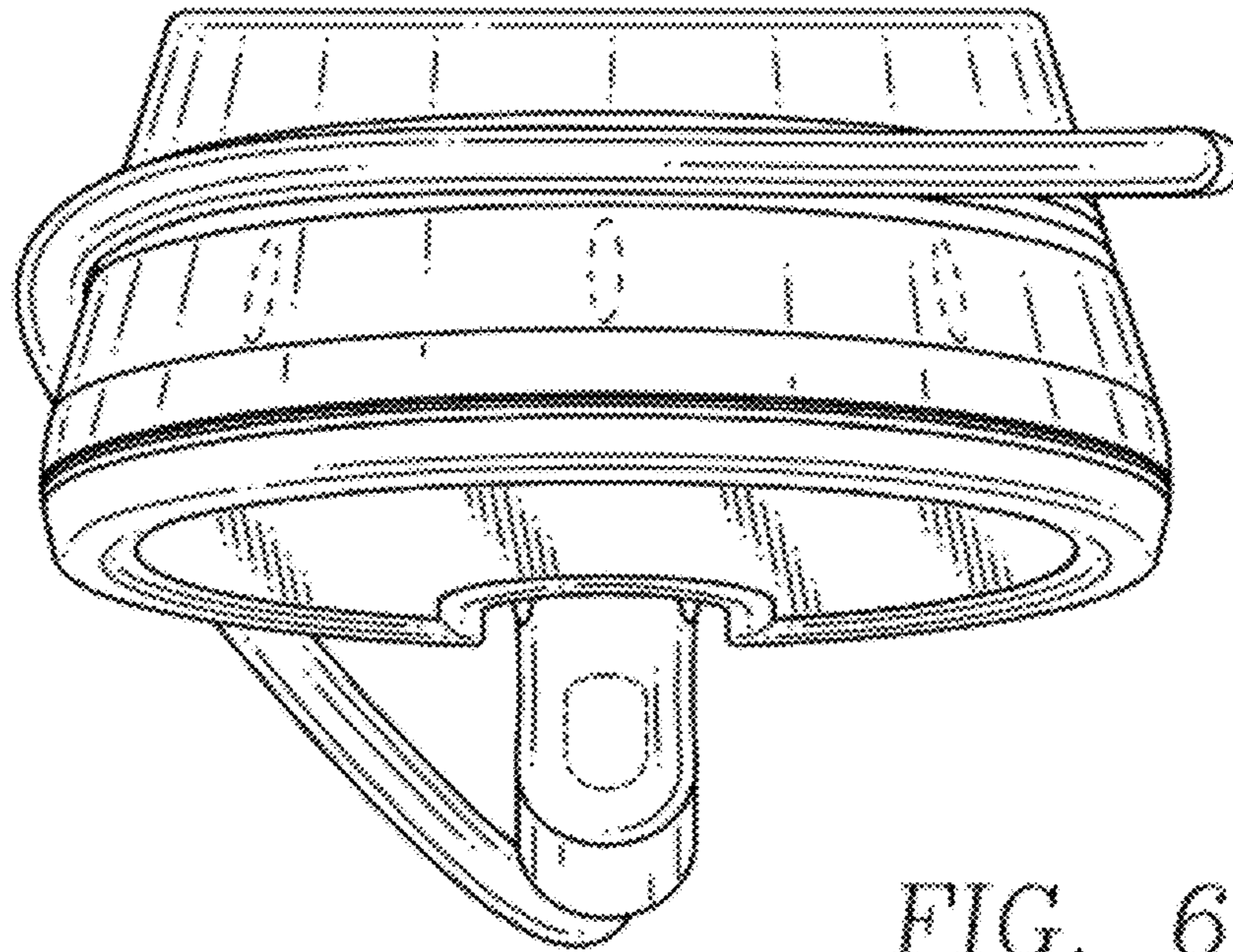


FIG. 6

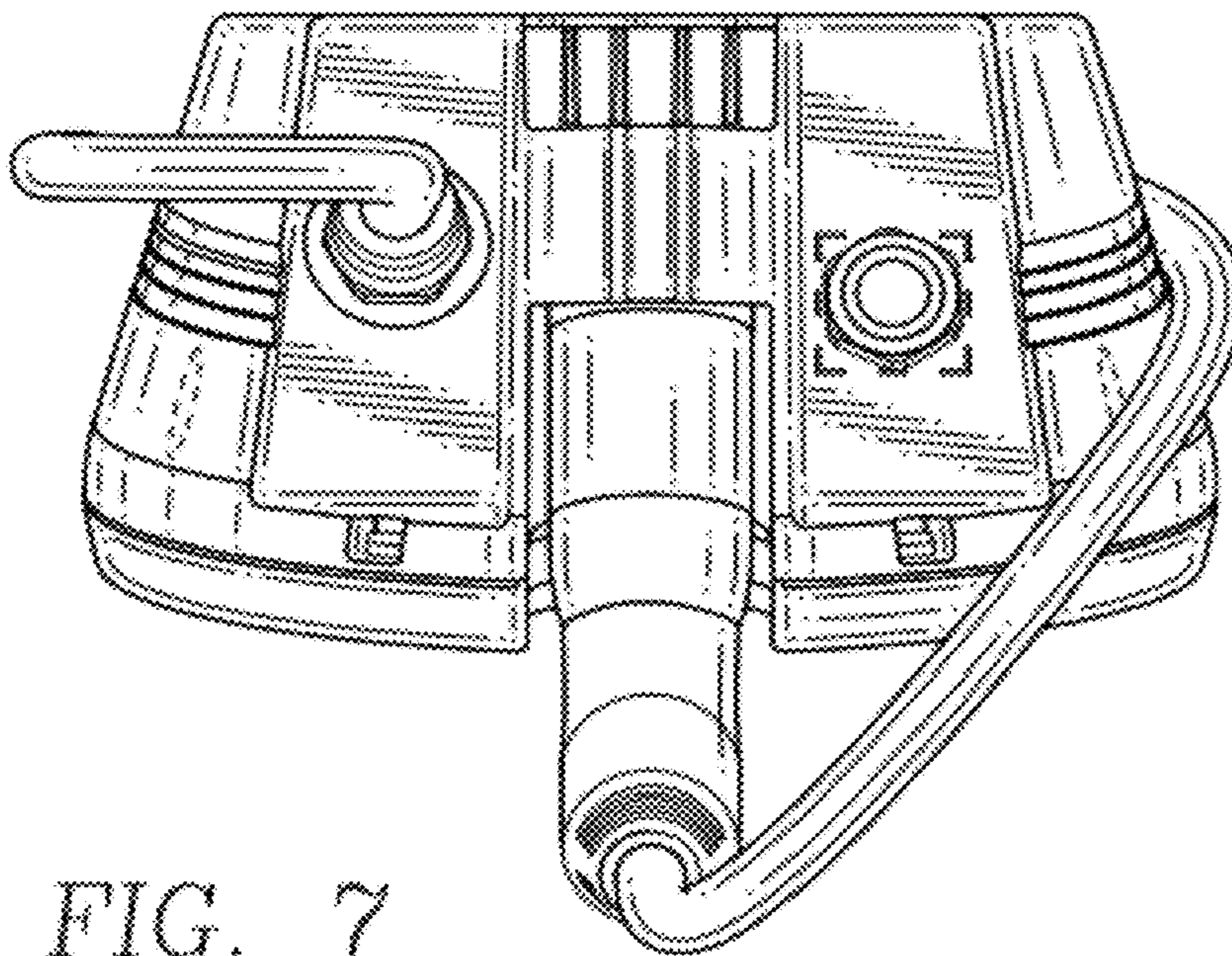


FIG. 7

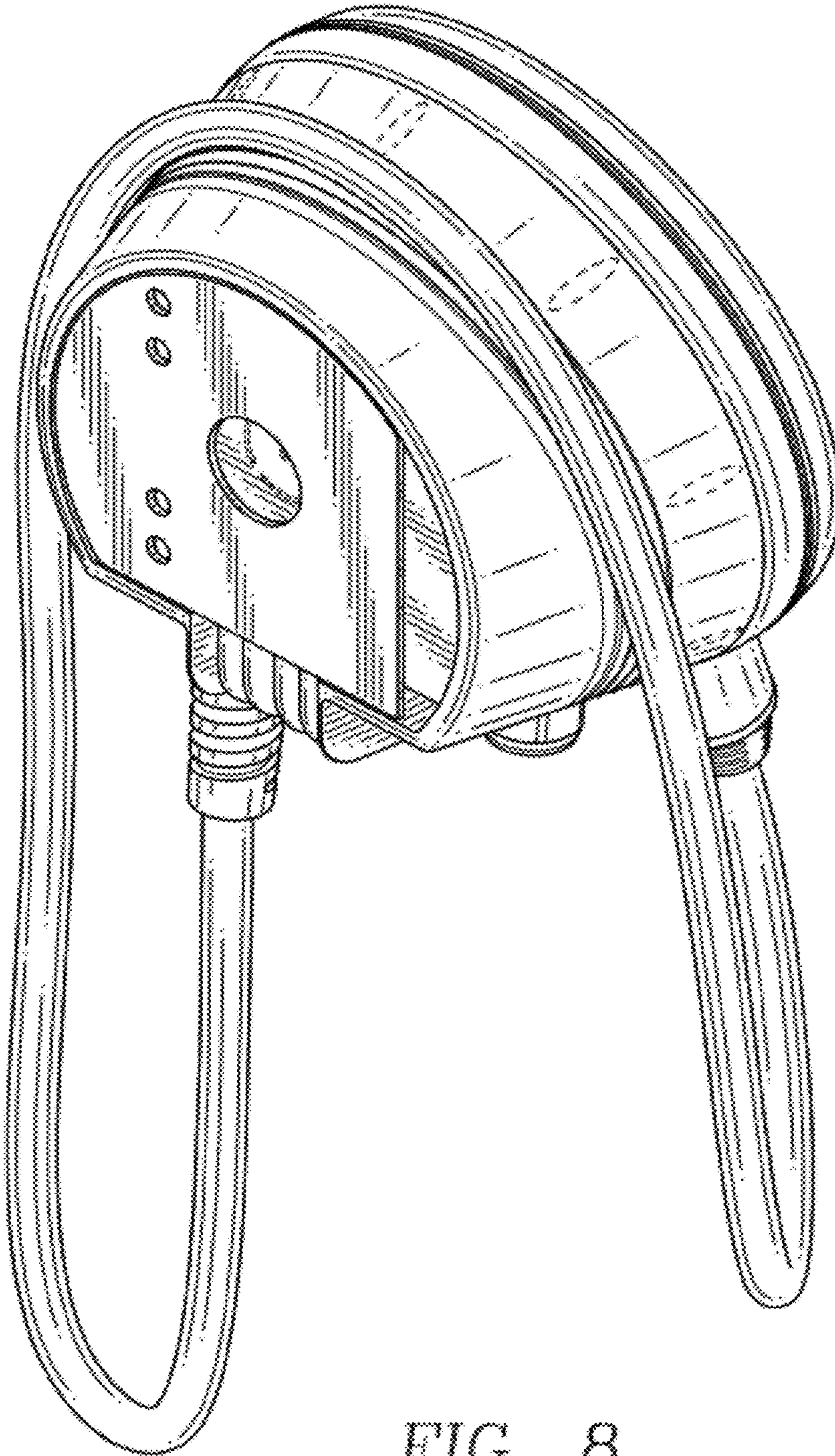


FIG. 8