

US00D665732S

(12) **United States Design Patent**  
**Saito et al.**

(10) **Patent No.:** **US D665,732 S**

(45) **Date of Patent:** **\*\* Aug. 21, 2012**

(54) **BATTERY**

(75) Inventors: **Masaki Saito**, Tokyo (JP); **Shinji Oda**,  
Kusatsu (JP)

(73) Assignee: **SANYO Electric Co., Ltd.**,  
Moriguchi-shi (JP)

(\*\*) Term: **14 Years**

(21) Appl. No.: **29/414,019**

(22) Filed: **Feb. 23, 2012**

(30) **Foreign Application Priority Data**

Sep. 12, 2011 (JP) ..... 2011-020680

(51) **LOC (9) Cl.** ..... **13-02**

(52) **U.S. Cl.** ..... **D13/103**

(58) **Field of Classification Search** ..... D13/102-106,  
D13/110, 118-119, 184; 429/96-100, 163,  
429/176

See application file for complete search history.

(56) **References Cited**

**U.S. PATENT DOCUMENTS**

|              |         |              |       |         |
|--------------|---------|--------------|-------|---------|
| D264,460 S * | 5/1982  | Moller       | ..... | D13/184 |
| D368,316 S * | 3/1996  | Jansson      | ..... | D26/39  |
| D383,725 S * | 9/1997  | Settsu       | ..... | D13/103 |
| D400,848 S * | 11/1998 | Clark et al. | ..... | D13/103 |
| D402,641 S * | 12/1998 | Heijnen      | ..... | D13/184 |
| D533,831 S * | 12/2006 | Kim          | ..... | D13/103 |
| D568,240 S * | 5/2008  | Haydvoegel   | ..... | D13/103 |
| D593,940 S * | 6/2009  | Nomi et al.  | ..... | D13/103 |
| D623,124 S * | 9/2010  | Nomi et al.  | ..... | D13/103 |

|              |         |                |       |         |
|--------------|---------|----------------|-------|---------|
| D631,446 S * | 1/2011  | Lanfear et al. | ..... | D13/162 |
| D643,365 S * | 8/2011  | Shaper         | ..... | D13/103 |
| D648,270 S * | 11/2011 | Jiang          | ..... | D13/103 |
| D654,429 S * | 2/2012  | Li et al.      | ..... | D13/103 |

**FOREIGN PATENT DOCUMENTS**

|    |           |         |
|----|-----------|---------|
| JP | 1314716 S | 11/2007 |
| JP | 1388558 S | 5/2010  |

\* cited by examiner

*Primary Examiner* — Rosemary K Tarcza

(74) *Attorney, Agent, or Firm* — Westerman, Hattori,  
Daniels & Adrian, LLP

(57) **CLAIM**

The ornamental design for a battery, as shown and described.

**DESCRIPTION**

FIG. 1 is a right rear perspective view of a battery, showing our new design;

FIG. 2 is a top plan view thereof;

FIG. 3 is a bottom plan view thereof;

FIG. 4 is a front elevational view thereof;

FIG. 5 is a rear elevational view thereof;

FIG. 6 is a right side elevational view thereof, the left side elevational view being a mirror image thereof;

FIG. 7 is a cross-sectional view taken along line 7-7 of FIG. 2; and,

FIG. 8 is a cross-sectional view taken along line 8-8 of FIG. 2.

The broken lines illustrate environmental structure only and form no part of the claimed design.

**1 Claim, 6 Drawing Sheets**

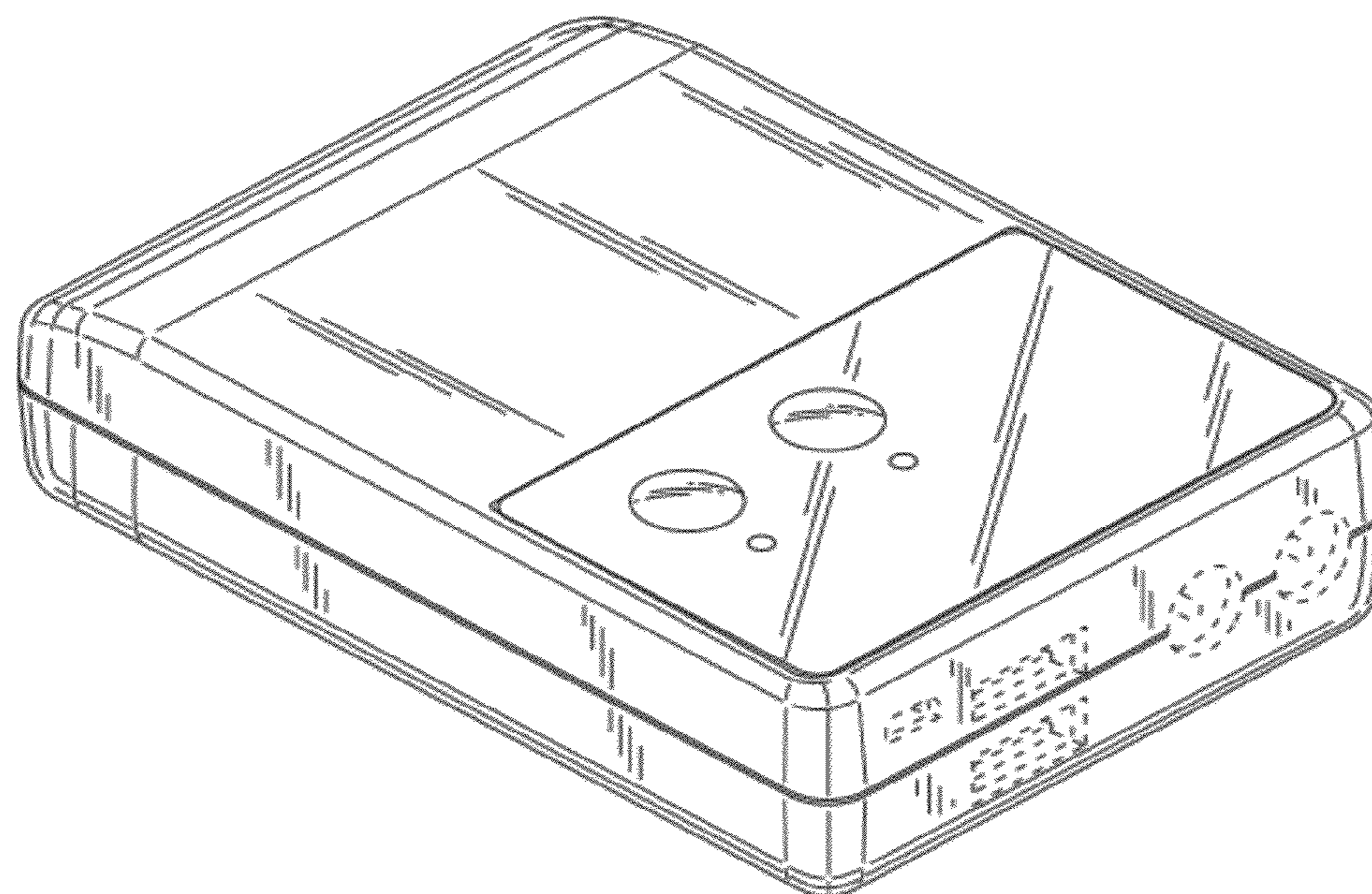


FIG. 1

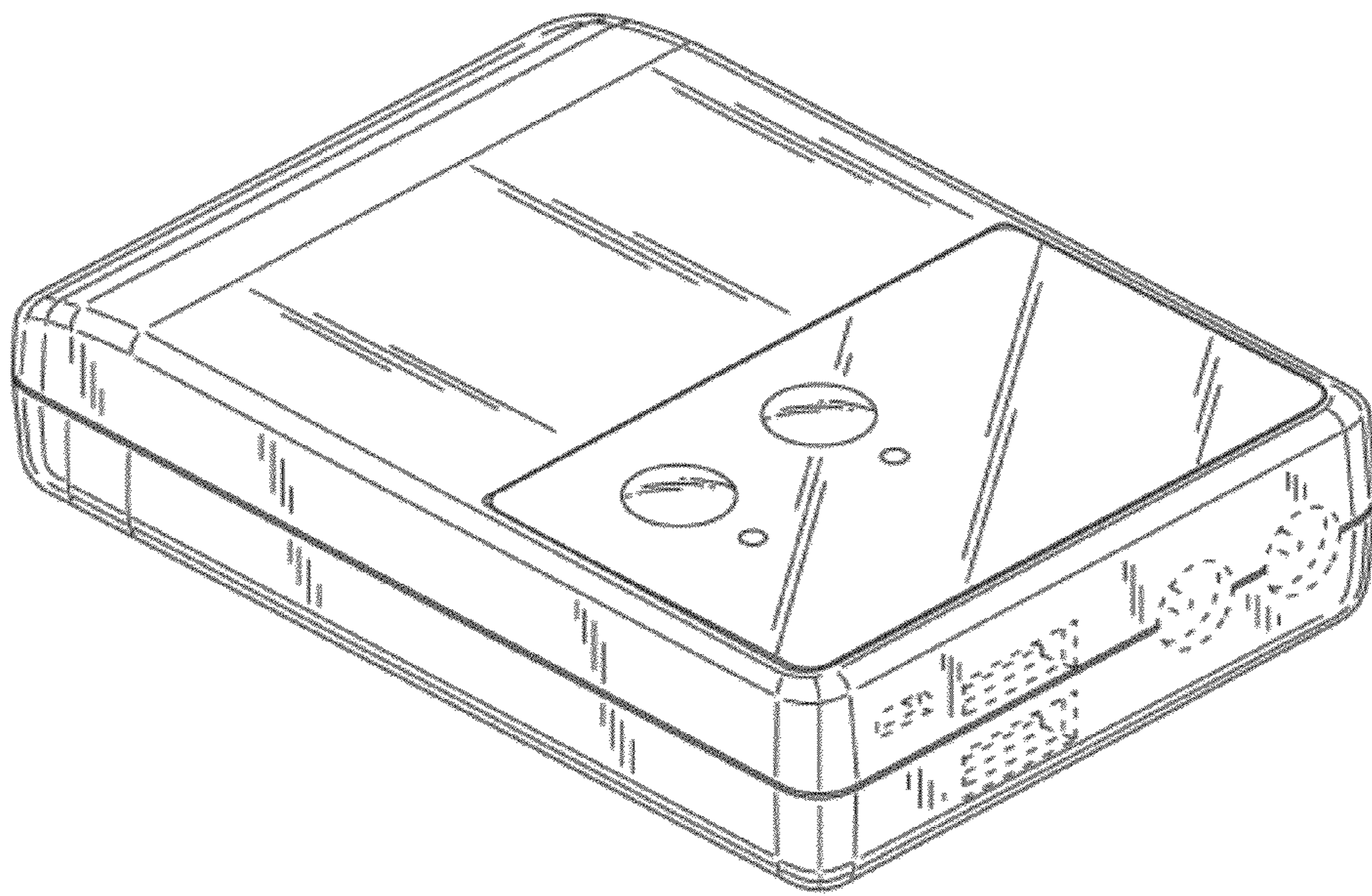


FIG. 2

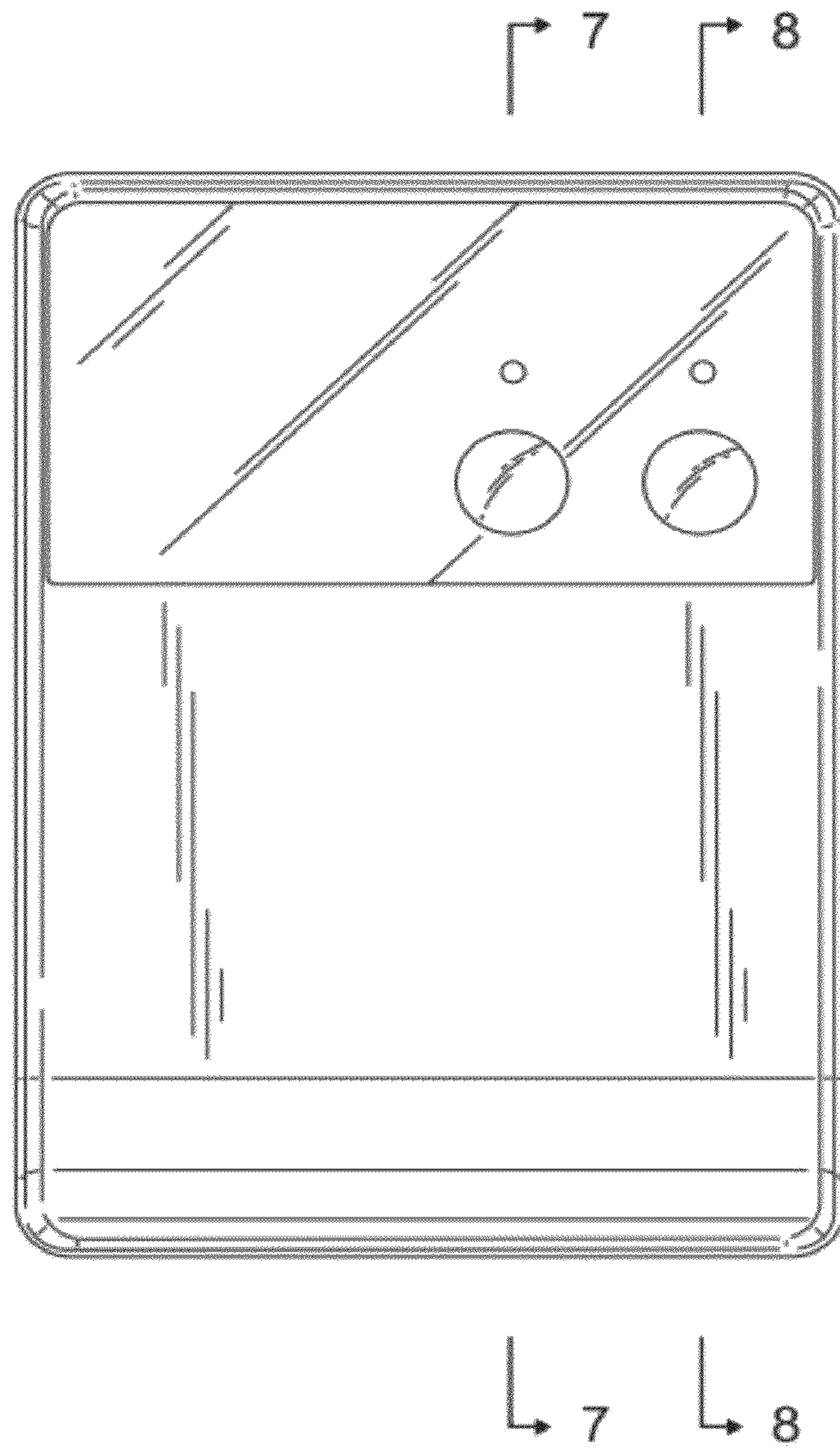


FIG. 3

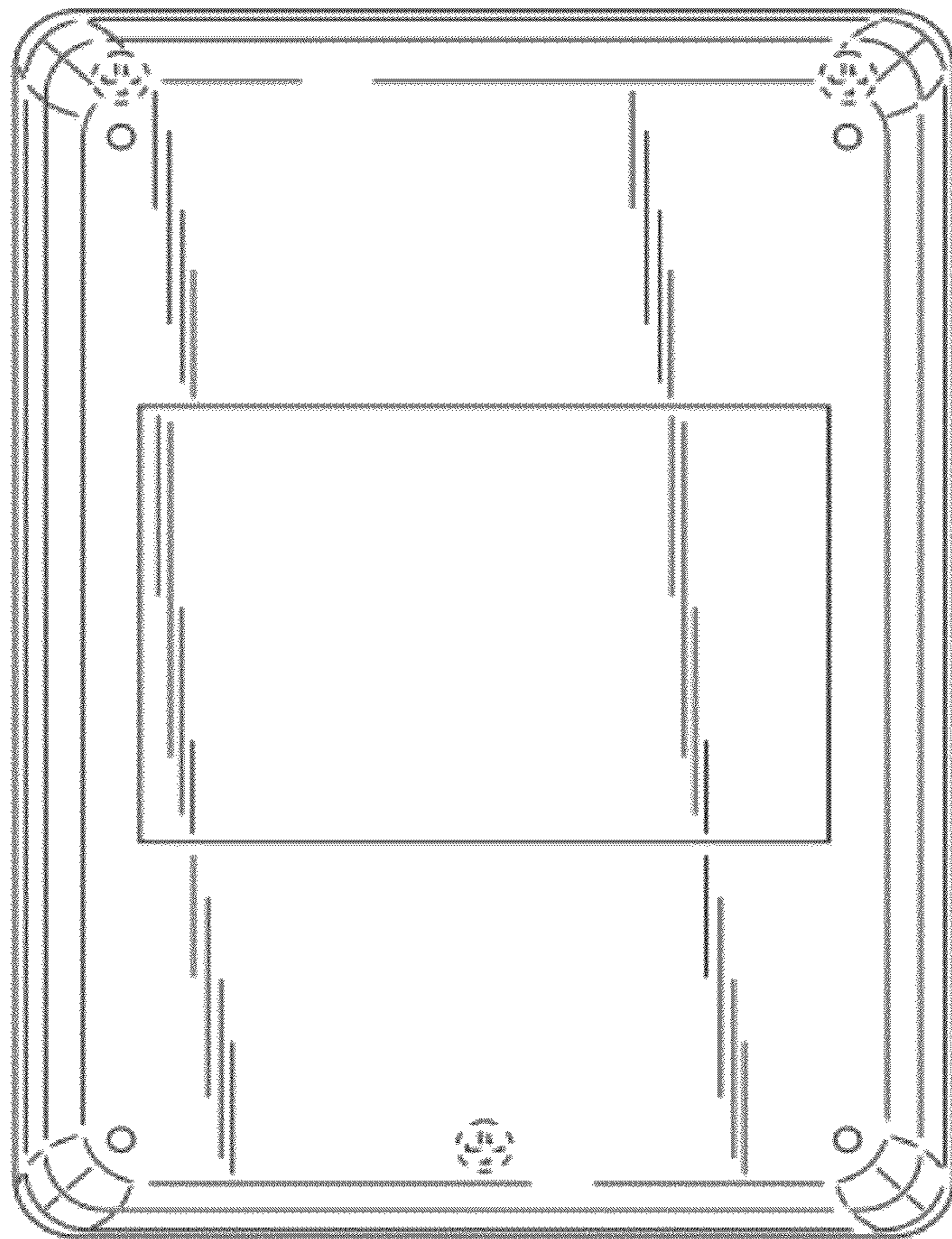


FIG.4

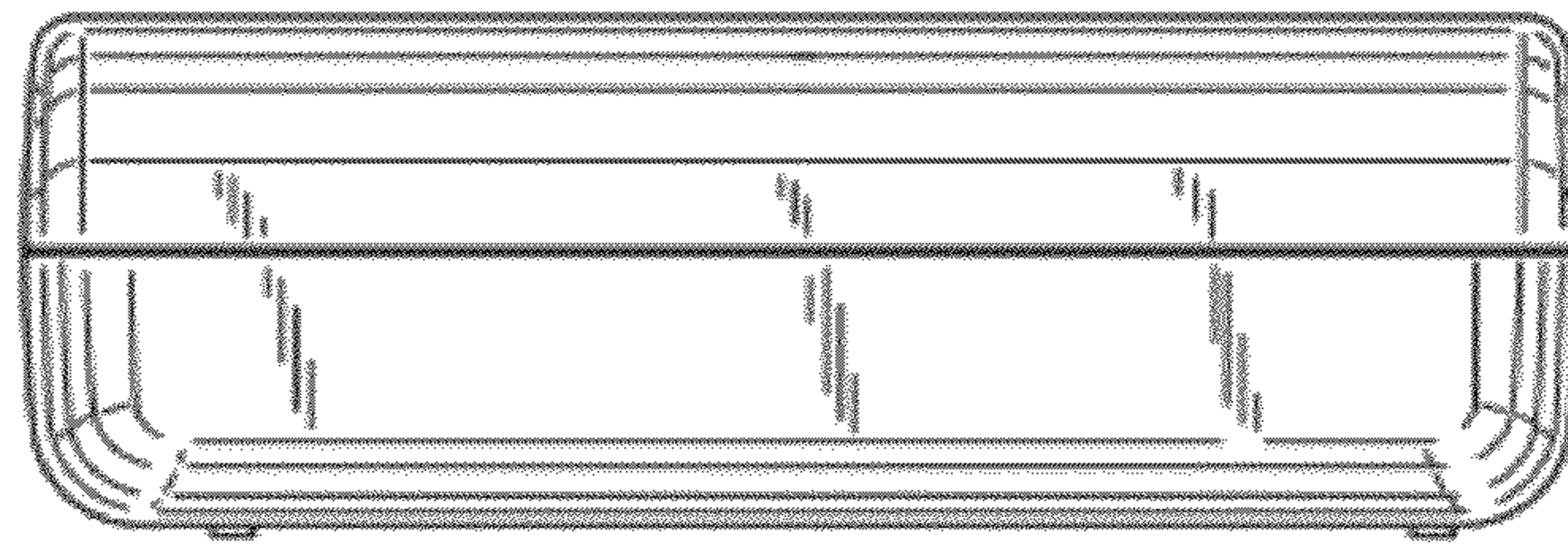


FIG.5

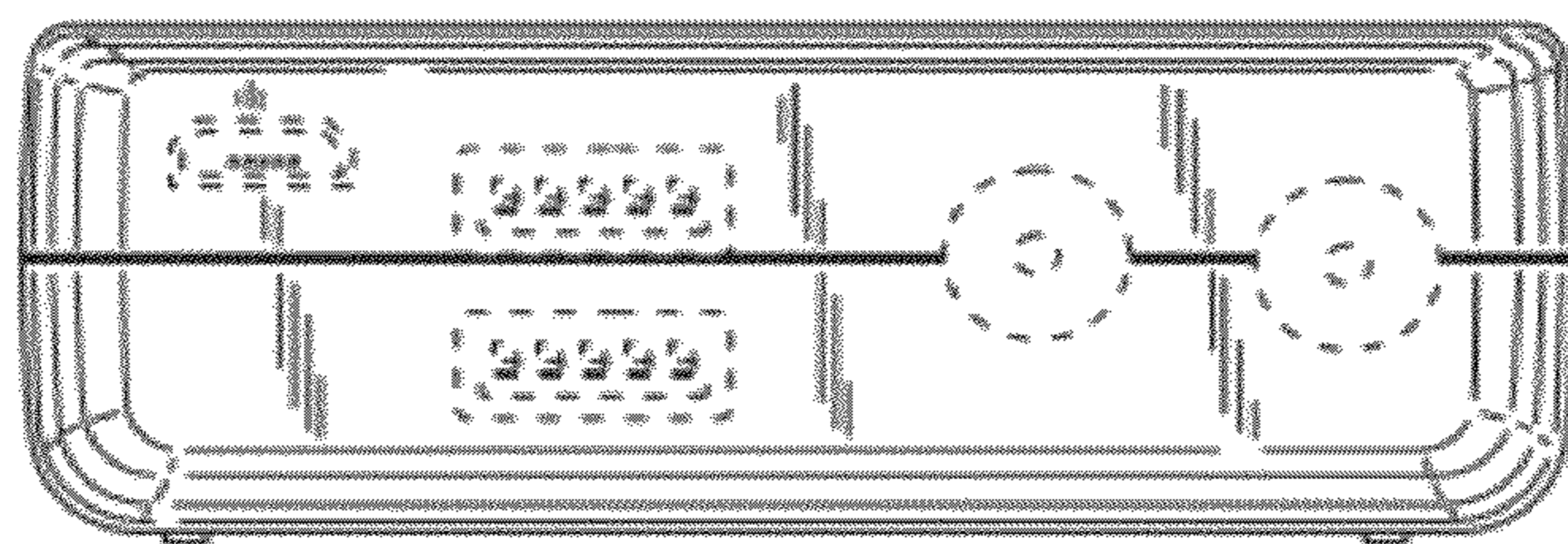


FIG. 6

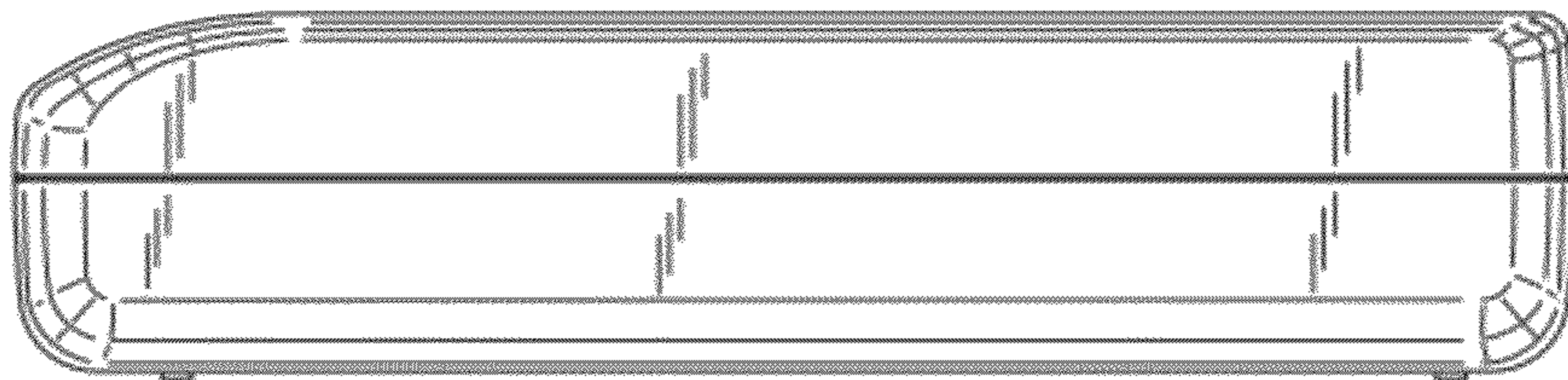


FIG. 7

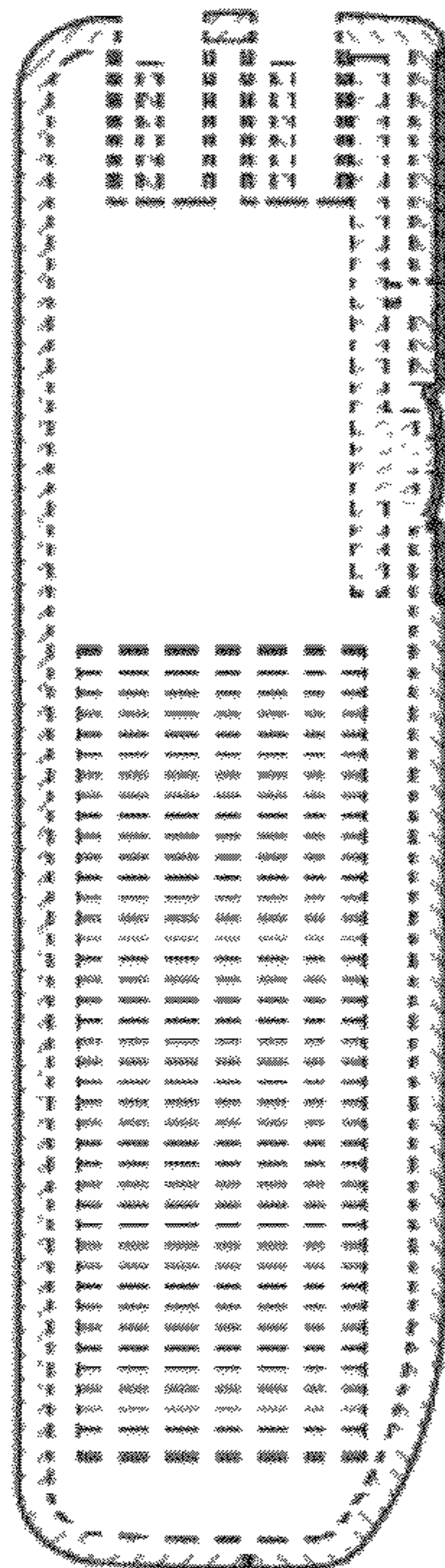


FIG. 8

