



US00D665729S

(12) **United States Design Patent**
Lundgren

(10) **Patent No.:** **US D665,729 S**

(45) **Date of Patent:** **** Aug. 21, 2012**

(54) **TIRE TREAD**

(75) Inventor: **Paula R. Lundgren**, Akron, OH (US)

(73) Assignee: **Bridgestone Americas Tire Operations, LLC**, Nashville, TN (US)

(**) Term: **14 Years**

(21) Appl. No.: **29/385,427**

(22) Filed: **Feb. 14, 2011**

(51) **LOC (9) Cl.** **12-16**

(52) **U.S. Cl.** **D12/570**

(58) **Field of Classification Search** D12/568-603;
152/209.1-209.28

See application file for complete search history.

D504,388 S	4/2005	Umstot et al.
6,920,906 B2	7/2005	Allison et al.
6,941,990 B2	9/2005	Rooney
D511,738 S	11/2005	Maxwell
D511,740 S	11/2005	Fukunaga
D512,369 S	12/2005	Lo
D512,682 S	12/2005	Krenz et al.
D512,683 S	12/2005	Dumigan et al.
D512,959 S	12/2005	Fukunaga
D512,960 S	12/2005	Graas et al.
D534,981 S	1/2007	McGoon, IV
D544,828 S	6/2007	Shondel
D548,172 S	8/2007	Dixon et al.
D553,558 S	10/2007	Sakakibara et al.
D554,057 S	10/2007	Brainerd, II et al.

(Continued)

Primary Examiner — George D Kirschbaum

(74) *Attorney, Agent, or Firm* — Shaun J. Fox

(56) **References Cited**

U.S. PATENT DOCUMENTS

D389,104 S	1/1998	Morgan
D413,556 S	9/1999	Krupa et al.
D427,117 S	6/2000	Kawamura et al.
D429,480 S	8/2000	Bonko
D449,570 S	10/2001	Lo
D454,831 S	3/2002	Yuze
D455,115 S	4/2002	Steinbach
D455,708 S	4/2002	Yuze
D459,296 S	6/2002	Umstot et al.
D460,410 S	7/2002	Thrasher et al.
D465,763 S	11/2002	Umstot et al.
D469,398 S	1/2003	Thompson et al.
D469,737 S	2/2003	Guidry
D471,147 S	3/2003	Kuwajima
D471,509 S	3/2003	Graas
D474,146 S	5/2003	Douce
D483,320 S	12/2003	Janajreh et al.
D483,718 S	12/2003	Hutz et al.
D484,456 S	12/2003	Irimiya
D490,360 S	5/2004	Jackson et al.
D499,374 S	12/2004	Jackson et al.
D500,010 S	12/2004	Maziarka et al.

(57) **CLAIM**

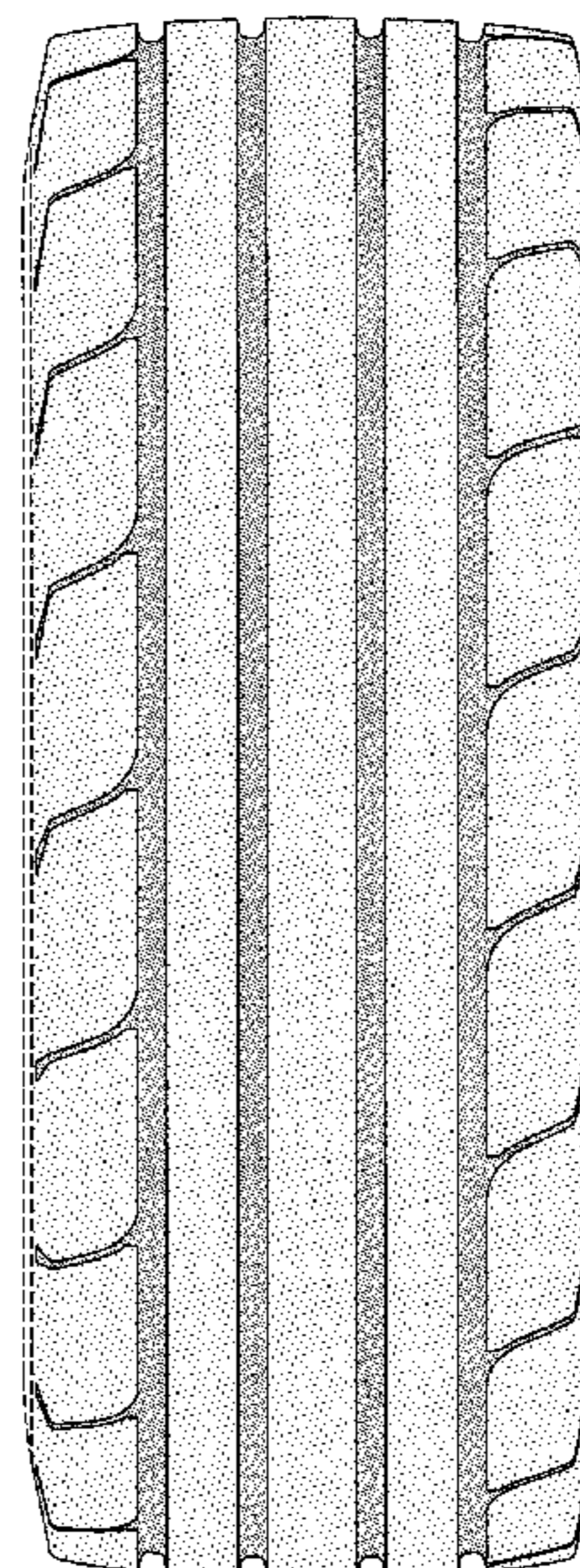
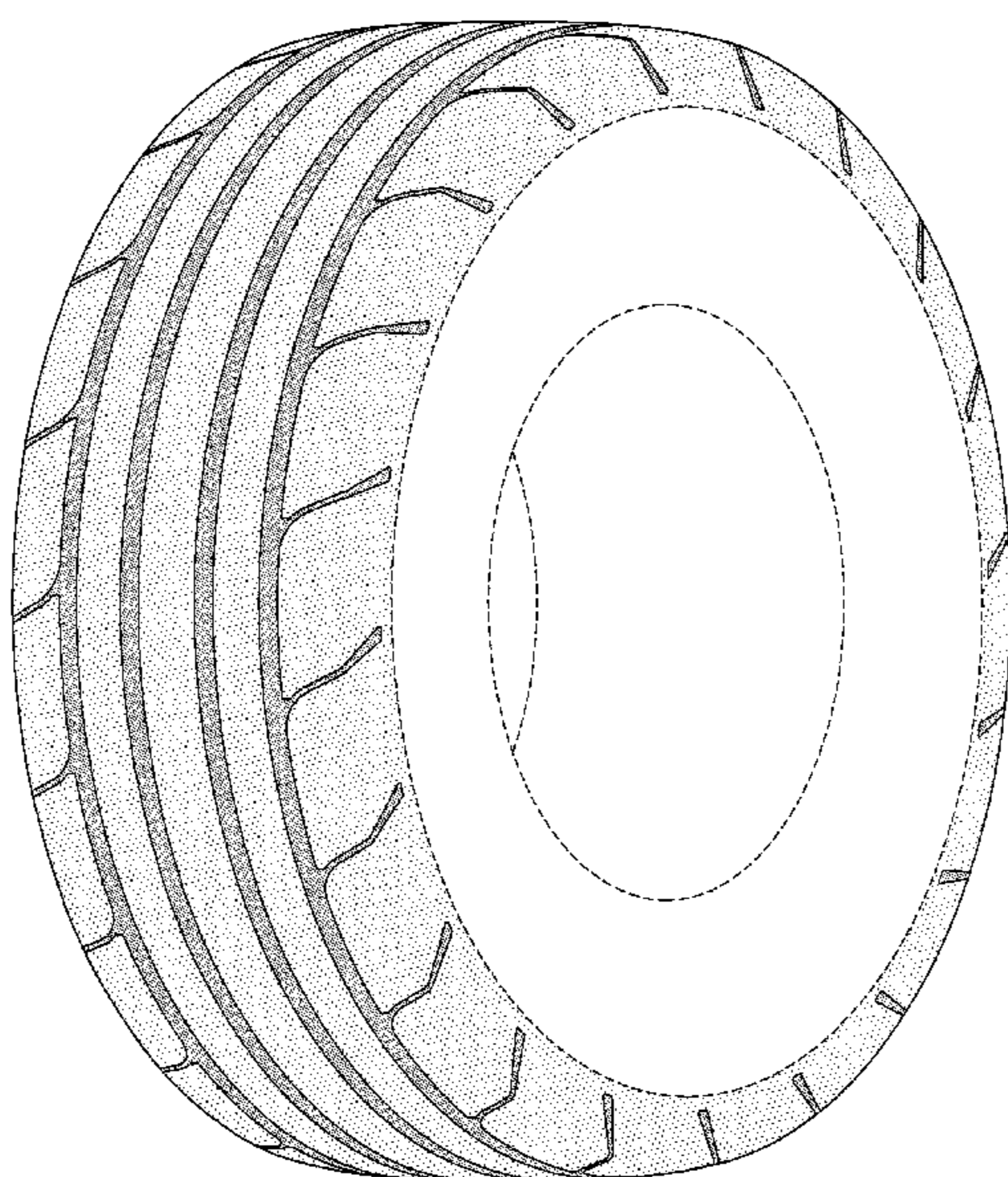
The ornamental design for a tire tread, as shown and described.

DESCRIPTION

FIG. 1 is a side perspective view of a tire tread showing my new design, it being understood that the tread pattern is repeated throughout the circumference of the tire tread, the opposite side being the same as that shown; FIG. 2 is a front elevational view thereof the opposite side being identical thereto; FIG. 3 is a side elevational view of the right side thereof, FIG. 4 is a side elevational view of the left side thereof; and, FIG. 5 is an enlarged fragmentary front elevational view thereof.

The broken lines defining the tire sidewall, inner bead, and the peripheral boundary between the claimed tire tread and sidewall are for illustrative purposes only and form no part of the claimed design.

1 Claim, 5 Drawing Sheets



US D665,729 S

Page 2

U.S. PATENT DOCUMENTS

D555,078 S	11/2007	Radulescu et al.	D605,105 S	12/2009	Klein	
D558,137 S	12/2007	Maziarka et al.	D610,525 S	2/2010	Behr et al.	
D571,715 S	6/2008	Ashton et al.	D610,527 S	2/2010	Youn	
D577,330 S	9/2008	Miyasaka	D611,892 S	3/2010	Huffman	
D577,663 S	9/2008	Klein	D612,796 S	3/2010	Kajimoto et al.	
D579,864 S	11/2008	Haas et al.	D613,677 S	4/2010	Neubauer et al.	
D601,952 S	10/2009	Shavers et al.	D622,210 S	8/2010	Raatikainen et al.	
D602,848 S	10/2009	Oohashi	2008/0128061 A1 *	6/2008	Puhala et al.	152/209.8
D602,849 S	10/2009	Kumamoto				

* cited by examiner

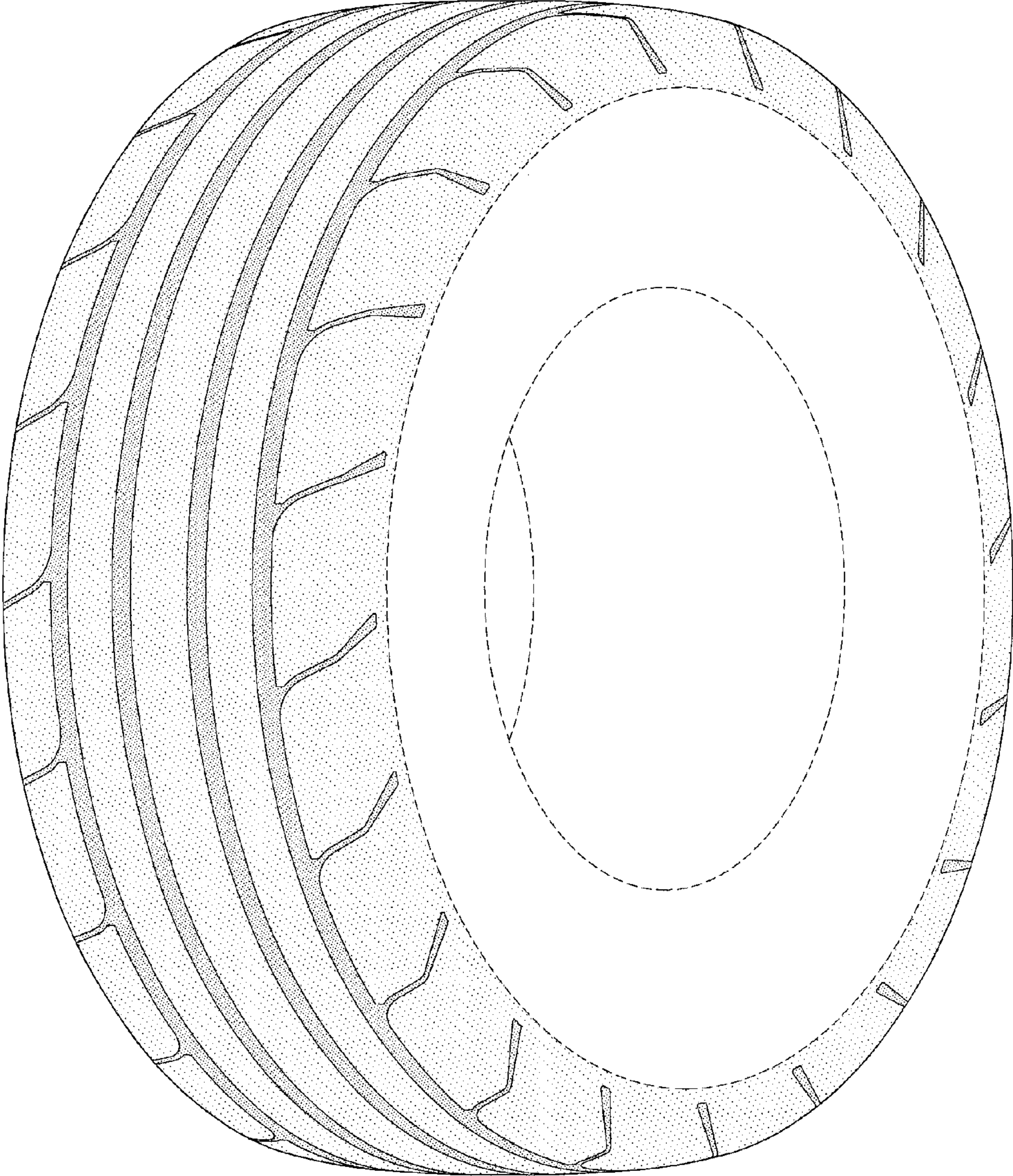


FIG-1

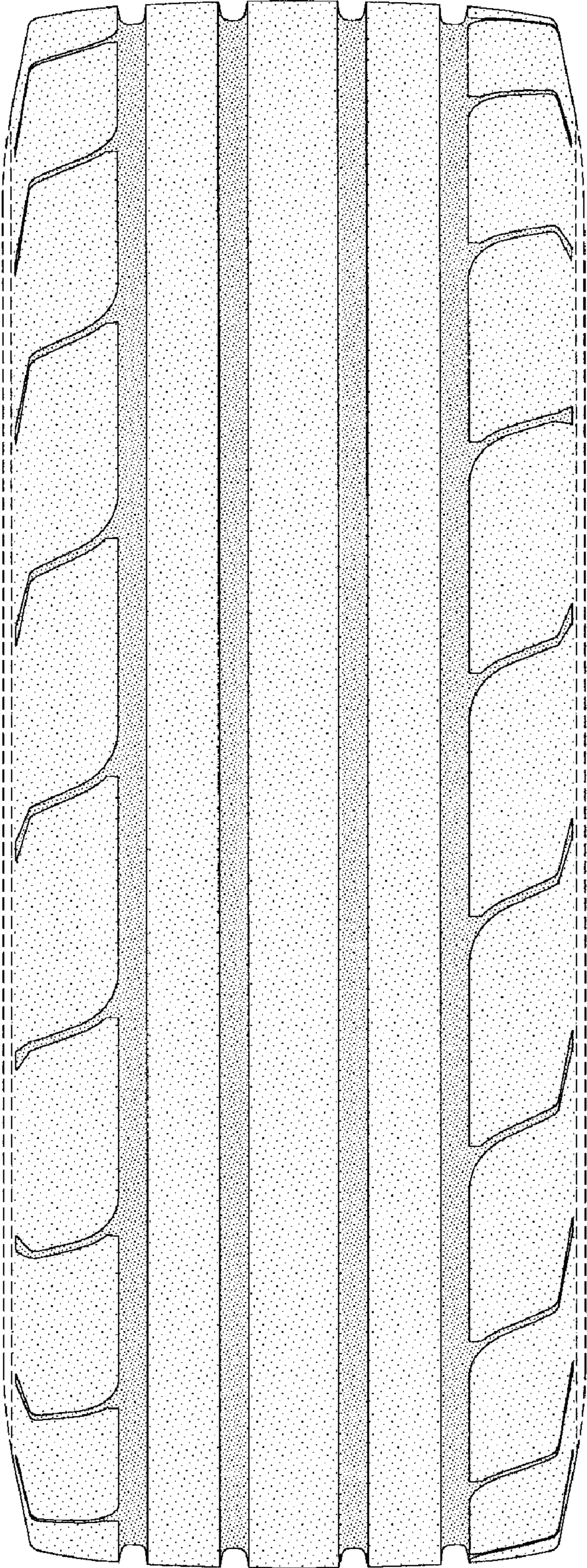


FIG-2

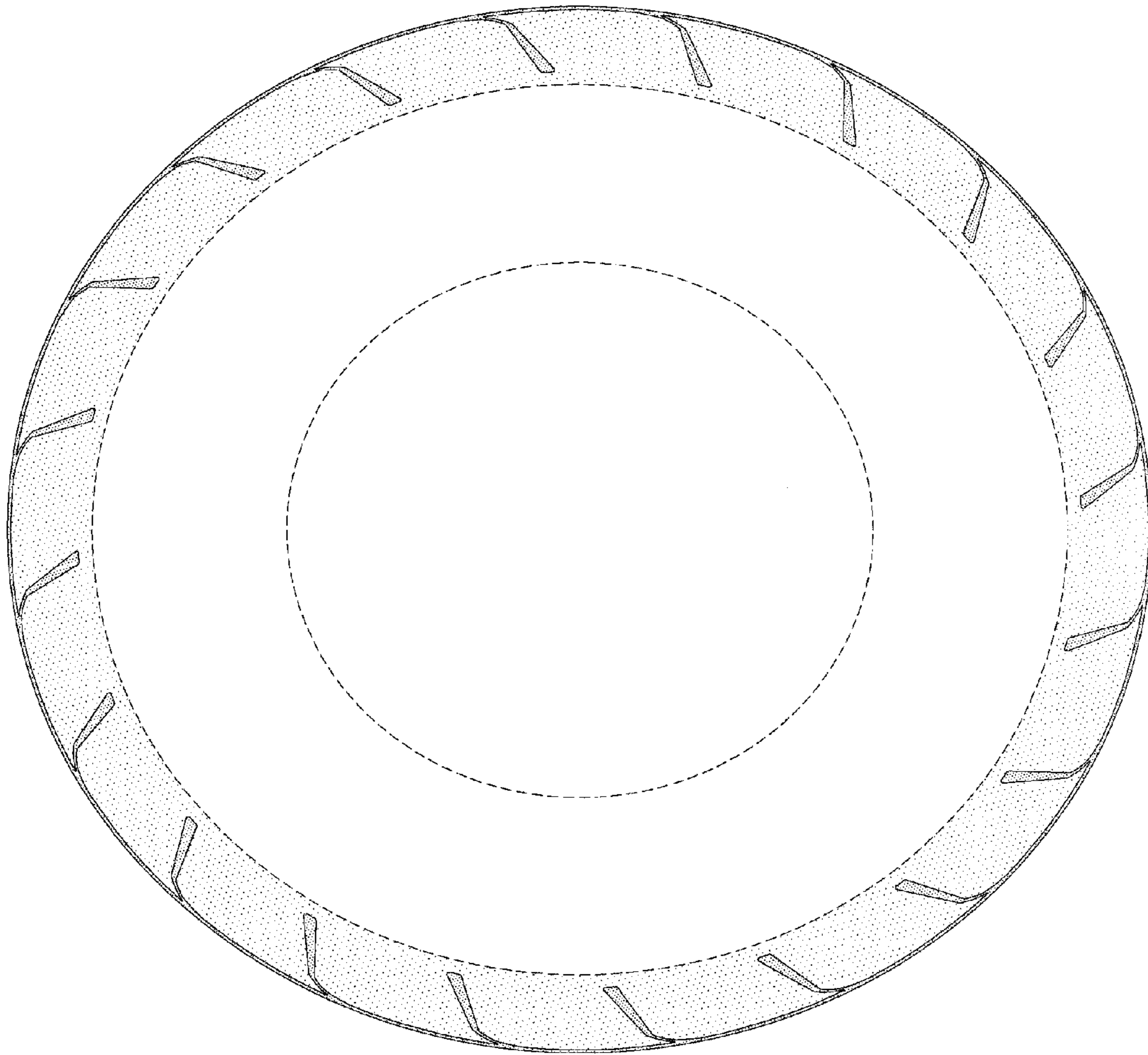


FIG-3

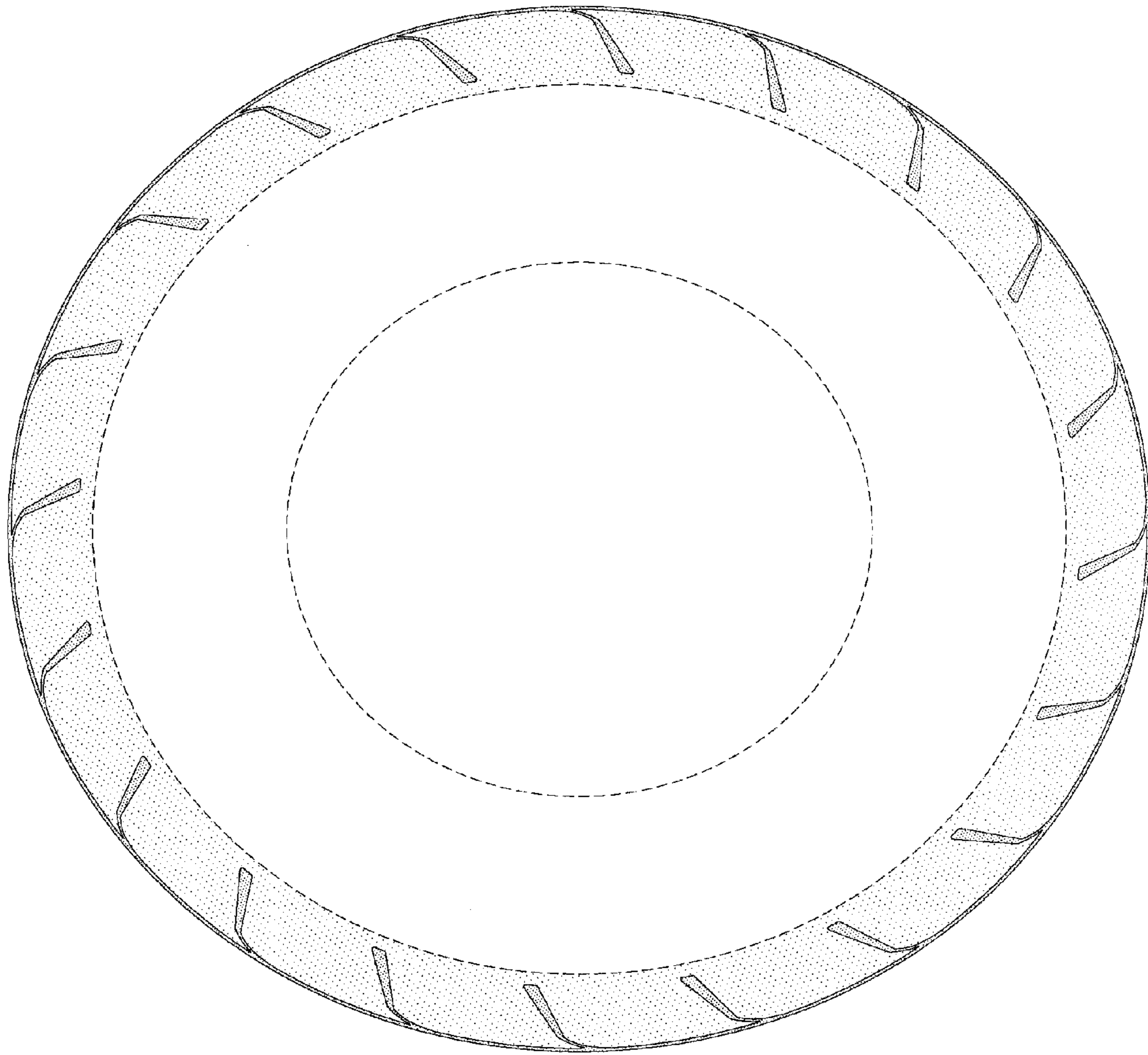


FIG-4

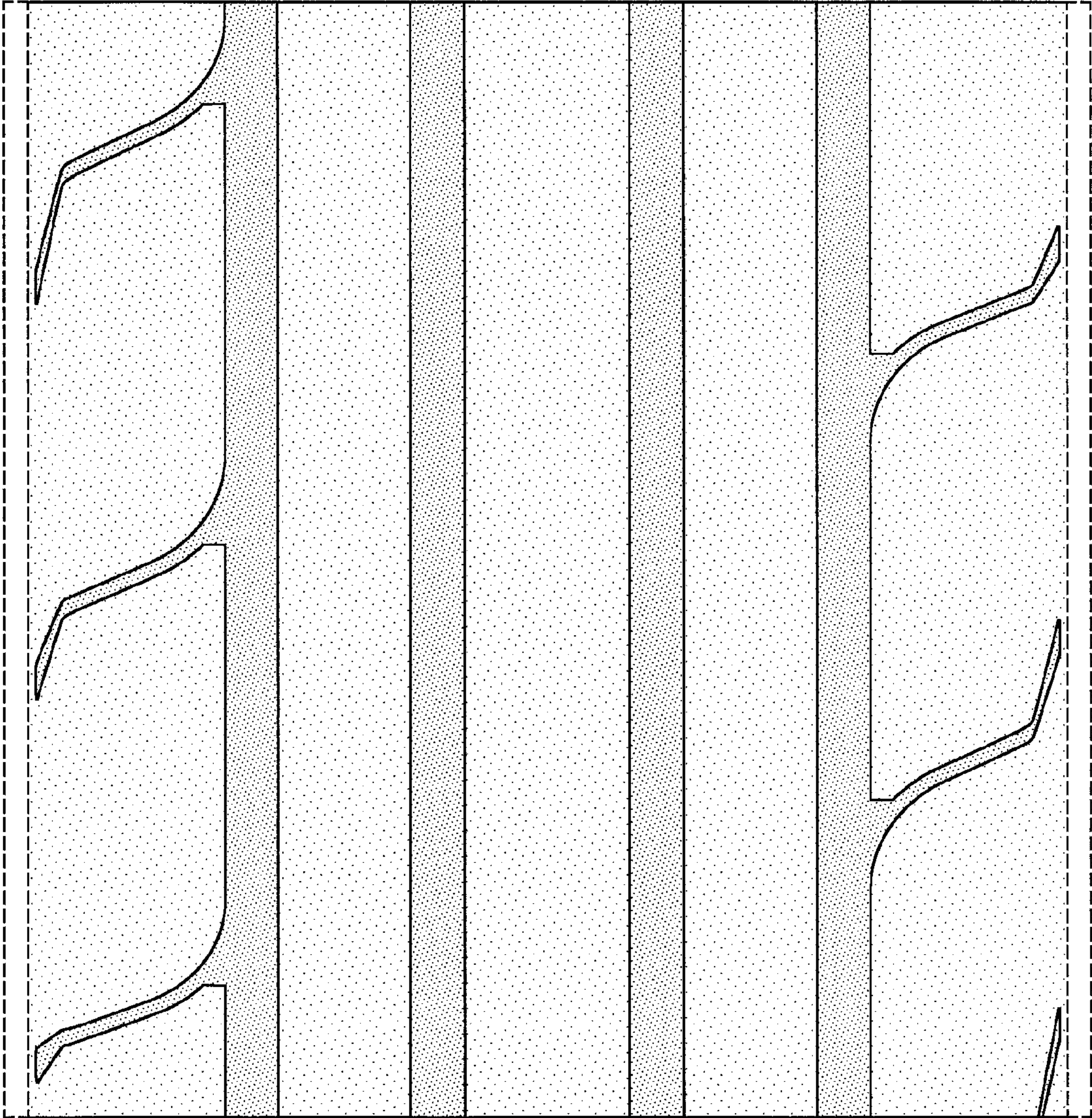


FIG-5