



US00D665726S

(12) **United States Design Patent**  
**Eriksson**

(10) **Patent No.:** **US D665,726 S**

(45) **Date of Patent:** **\*\* Aug. 21, 2012**

(54) **KAYAK CARRIER**

(75) Inventor: **Henrik Eriksson**, Jonkoping (SE)

(73) Assignee: **Thule Sweden AB** (SE)

(\*\*) Term: **14 Years**

(21) Appl. No.: **29/406,463**

(22) Filed: **Nov. 15, 2011**

(51) **LOC (9) Cl.** ..... **12-16**

(52) **U.S. Cl.** ..... **D12/412**

(58) **Field of Classification Search** ..... D12/412,  
D12/406, 414, 414.1; 293/37.1, 3, 100;  
224/309-310, 315-316, 323-329, 400; D3/304-306;  
280/760-762, 848, 727, 769; D6/552  
See application file for complete search history.

(56) **References Cited**

U.S. PATENT DOCUMENTS

D386,145 S \* 11/1997 Staller ..... D12/412  
D397,067 S \* 8/1998 McCoy et al. .... D12/162

D497,873 S \* 11/2004 Graber ..... D12/407  
D604,206 S \* 11/2009 Selzer et al. .... D12/115  
D623,120 S \* 9/2010 Farber ..... D12/412

\* cited by examiner

*Primary Examiner* — Caron D Veynar

*Assistant Examiner* — Katrina A Betton

(74) *Attorney, Agent, or Firm* — Novak Druce + Quigg LLP

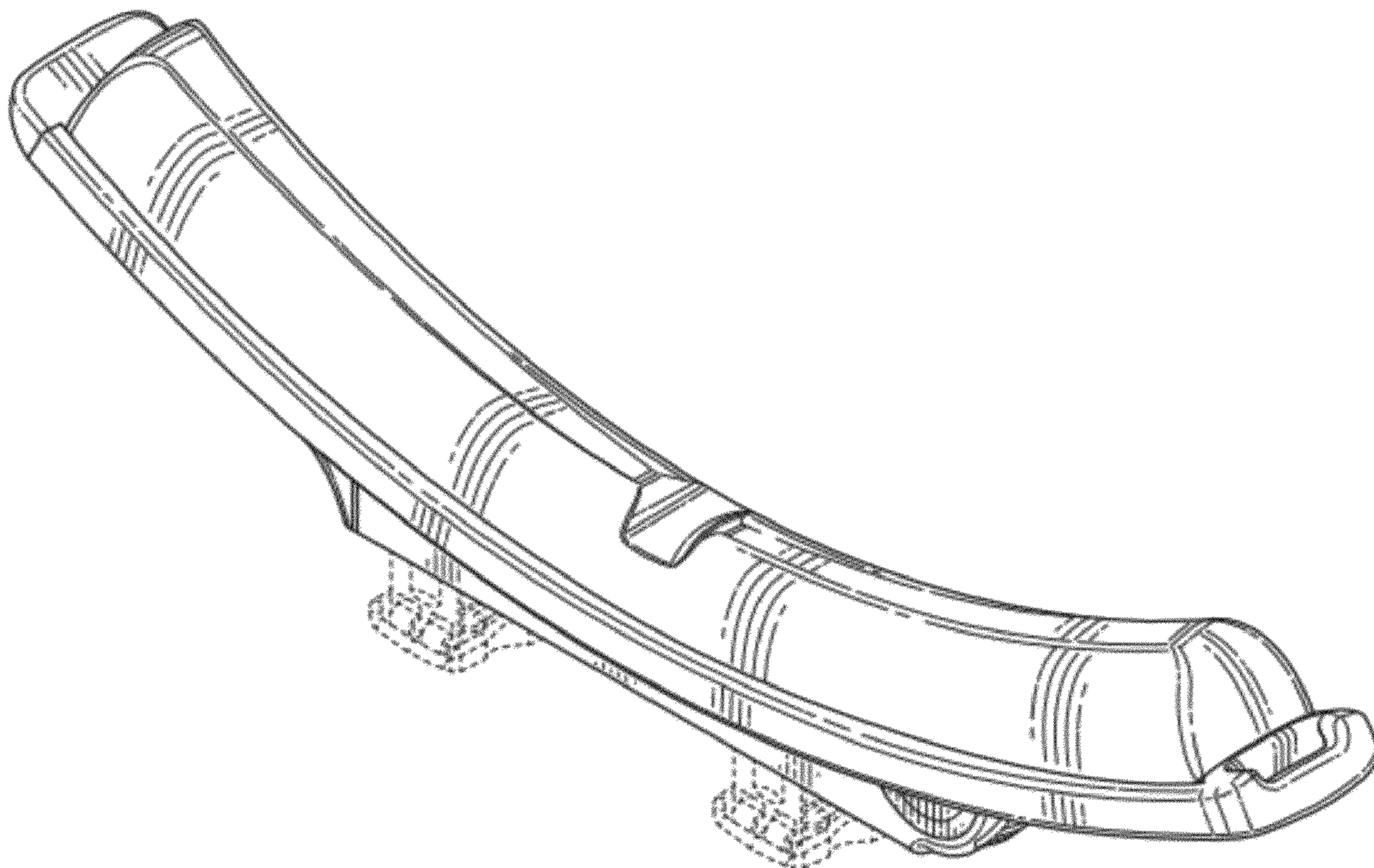
(57) **CLAIM**

I claim the ornamental design for a kayak carrier, as shown and described.

**DESCRIPTION**

FIG. 1 is a perspective view of a kayak carrier;  
FIG. 2 is a bottom plan view thereof;  
FIG. 3 is a top plan view thereof;  
FIG. 4 is a rear elevational view thereof;  
FIG. 5 is a front elevational view thereof;  
FIG. 6 is a right side elevational view thereof; and,  
FIG. 7 is left side elevational view thereof.  
The broken lines illustrate environment only; the broken lines form no part of the claimed design.

**1 Claim, 7 Drawing Sheets**



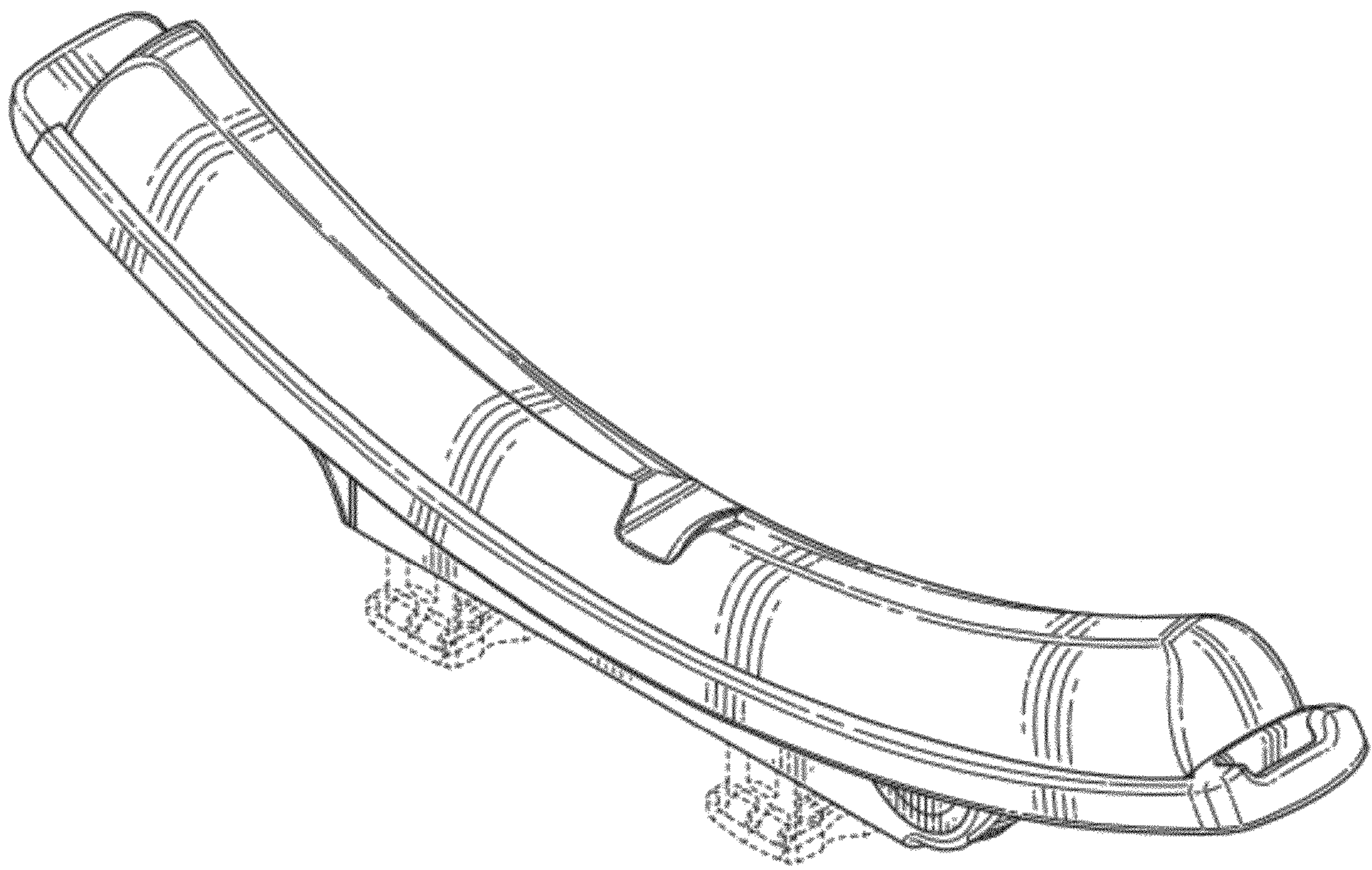


FIG. 1

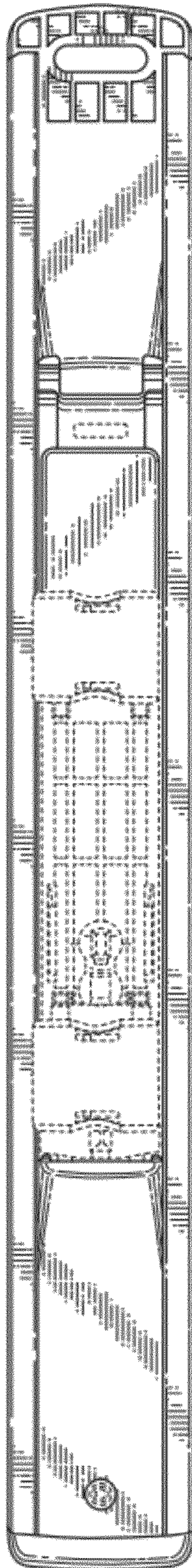


FIG. 2

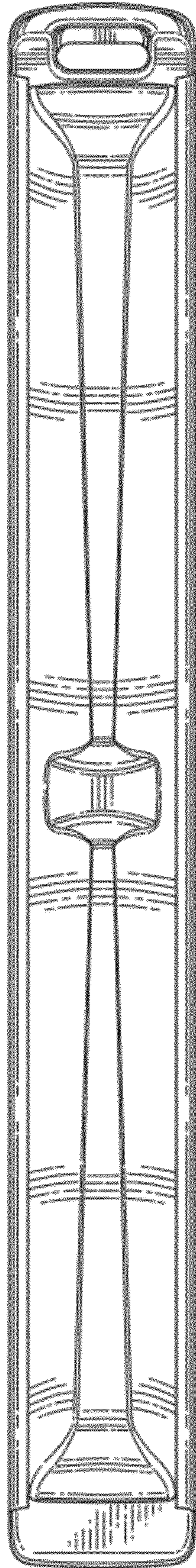


FIG. 3

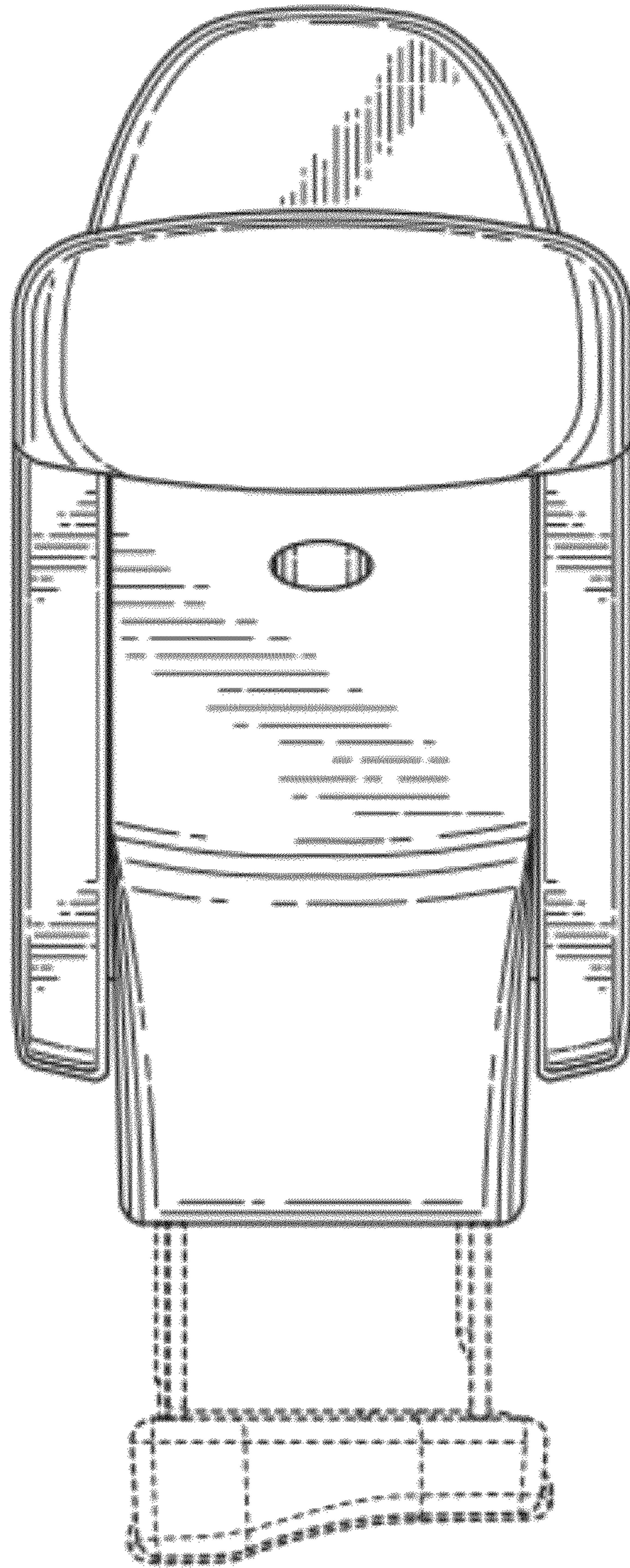


FIG. 4

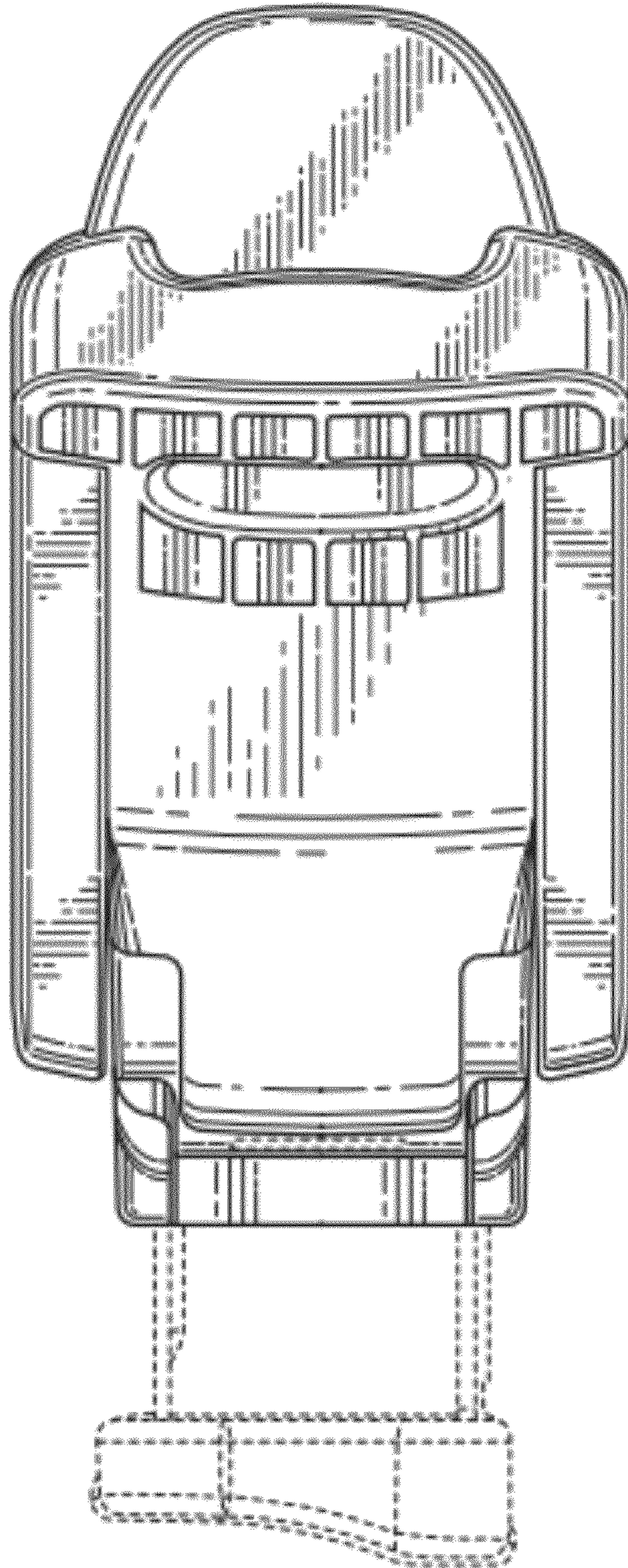


FIG. 5

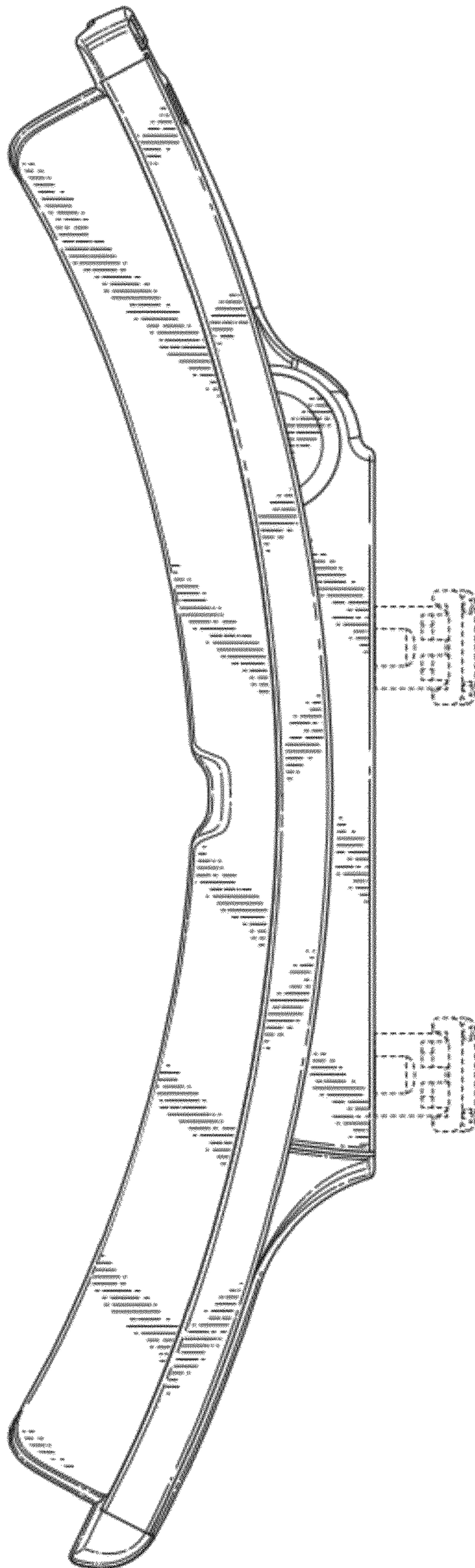


FIG. 6

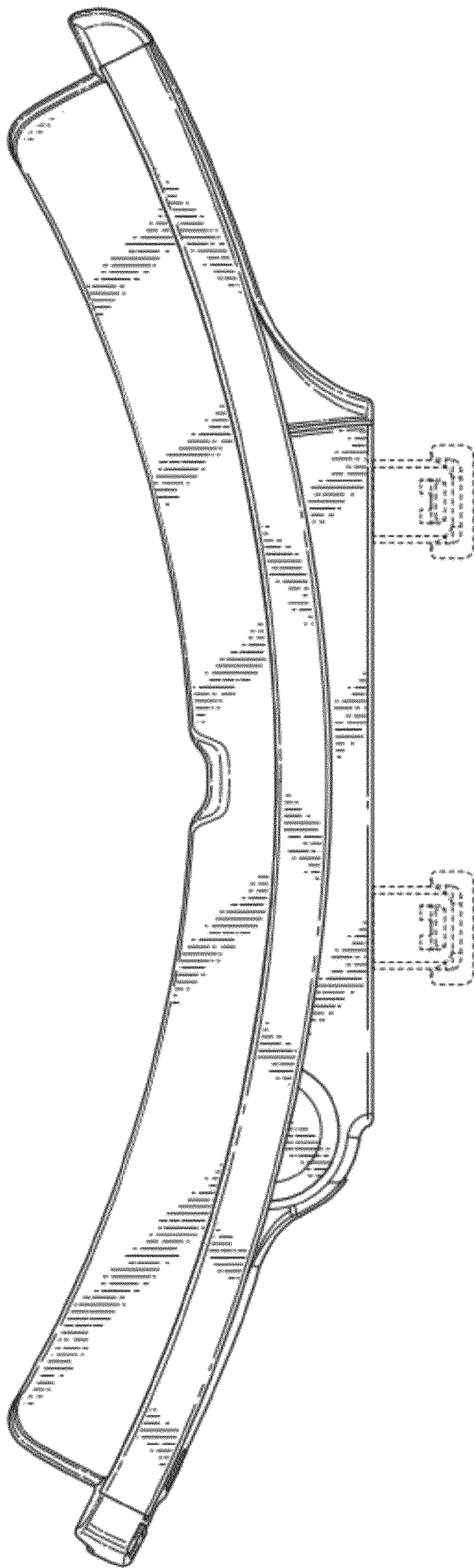


FIG. 7