



US00D665725S

(12) **United States Design Patent**
Laverack et al.

(10) **Patent No.:** **US D665,725 S**

(45) **Date of Patent:** **** Aug. 21, 2012**

(54) **FOLDING ROOFTOP CARRIER**

(75) Inventors: **John Laverack**, Southbury, CT (US);
Greg G. Weaver, Waterbury, CT (US);
Frederick G. Murray, Southington, CT
(US)

(73) Assignee: **Thule Sweden AB** (SE)

(**) Term: **14 Years**

(21) Appl. No.: **29/398,535**

(22) Filed: **Aug. 1, 2011**

(51) **LOC (9) Cl.** **12-16**

(52) **U.S. Cl.** **D12/412**

(58) **Field of Classification Search** D12/412,
D12/406, 414, 414.1; 293/37.1, 3, 100;
224/309-310, 315-316, 323-329, 400; D3/304-306;
280/760-762, 848, 727, 769; D6/552
See application file for complete search history.

(56) **References Cited**

U.S. PATENT DOCUMENTS

D497,873 S *	11/2004	Graber	D12/407
D526,131 S *	8/2006	McGowan	D6/317
D571,279 S *	6/2008	Trusty et al.	D12/414
D585,793 S *	2/2009	Skalka	D12/115
D605,578 S *	12/2009	Retief	D12/411
D623,120 S *	9/2010	Farber	D12/412

D637,949 S *	5/2011	Farber	D12/412
D655,237 S *	3/2012	Marankie	D12/406
2012/0125960 A1 *	5/2012	Diez Herrera	224/309

* cited by examiner

Primary Examiner — Caron D Veynar

Assistant Examiner — Katrina A Betton

(74) *Attorney, Agent, or Firm* — Novak Druce + Quigg LLP

(57) **CLAIM**

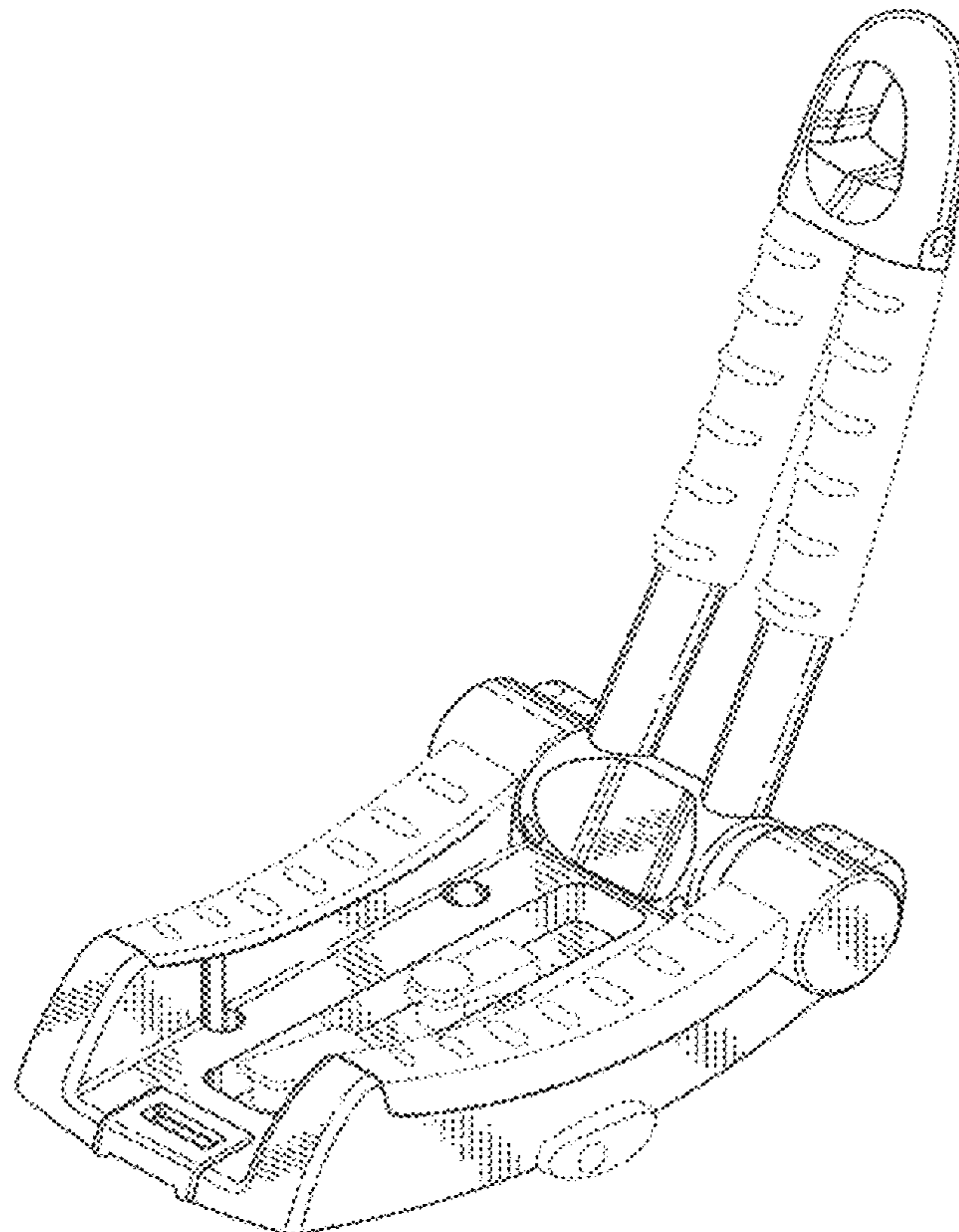
We claim the ornamental design for a folding rooftop carrier, as shown and described.

DESCRIPTION

FIG. 1 is a perspective view of a folding rooftop carrier; FIG. 2 is another perspective view of a folding rooftop carrier; FIG. 3 is another perspective view thereof; FIG. 4 is front elevational view thereof; FIG. 5 is a rear elevational view thereof; FIG. 6 is a left side elevational view thereof; FIG. 7 is a right side elevational view thereof; FIG. 8 is a top plan view thereof; and, FIG. 9 is a bottom plan view thereof.

The dashed lines in FIG. 1 illustrate environment only. The broken lines in the Figures illustrate unclaimed portions of the folding rooftop carrier and form no part of the claimed design.

1 Claim, 9 Drawing Sheets



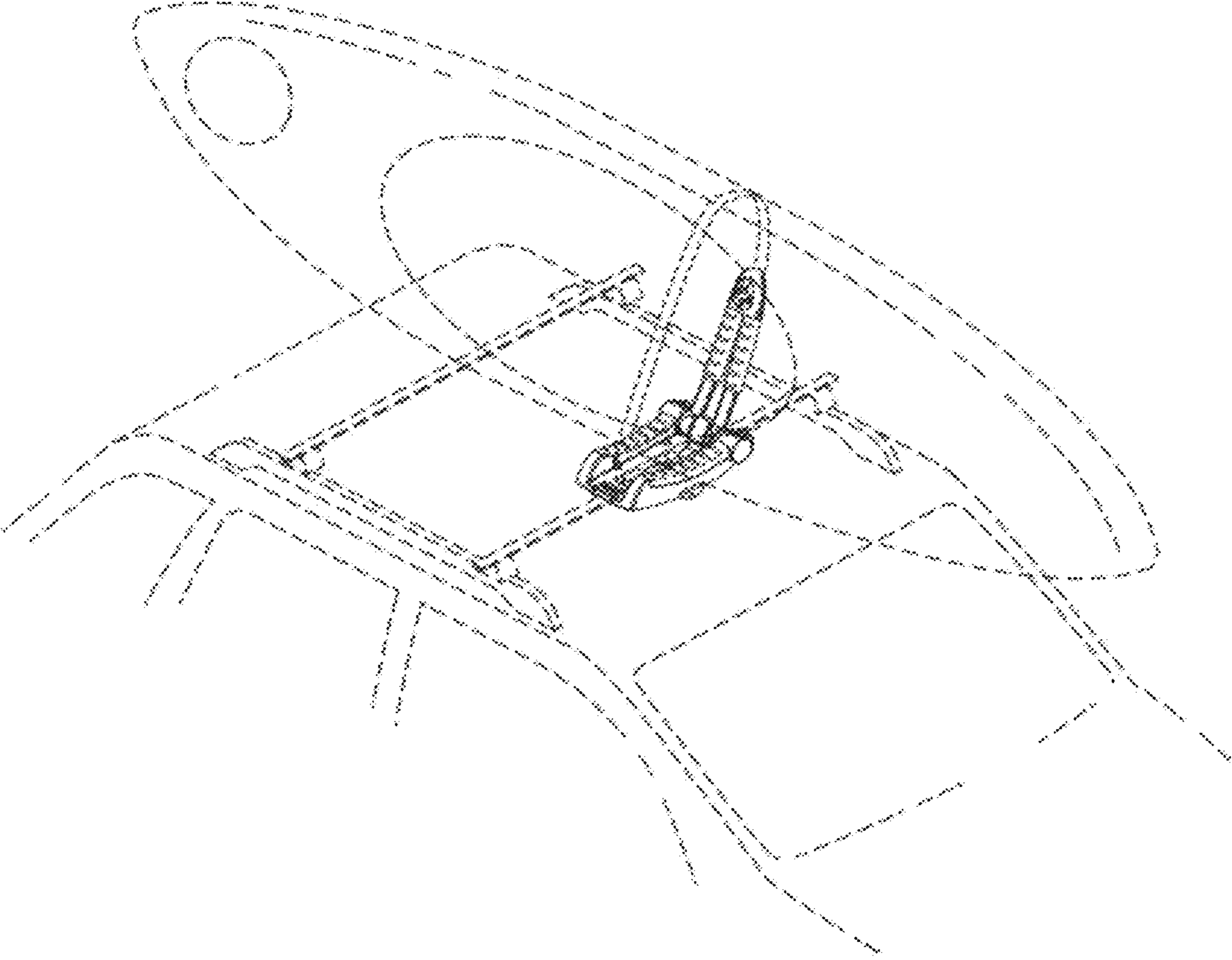


FIG. 1

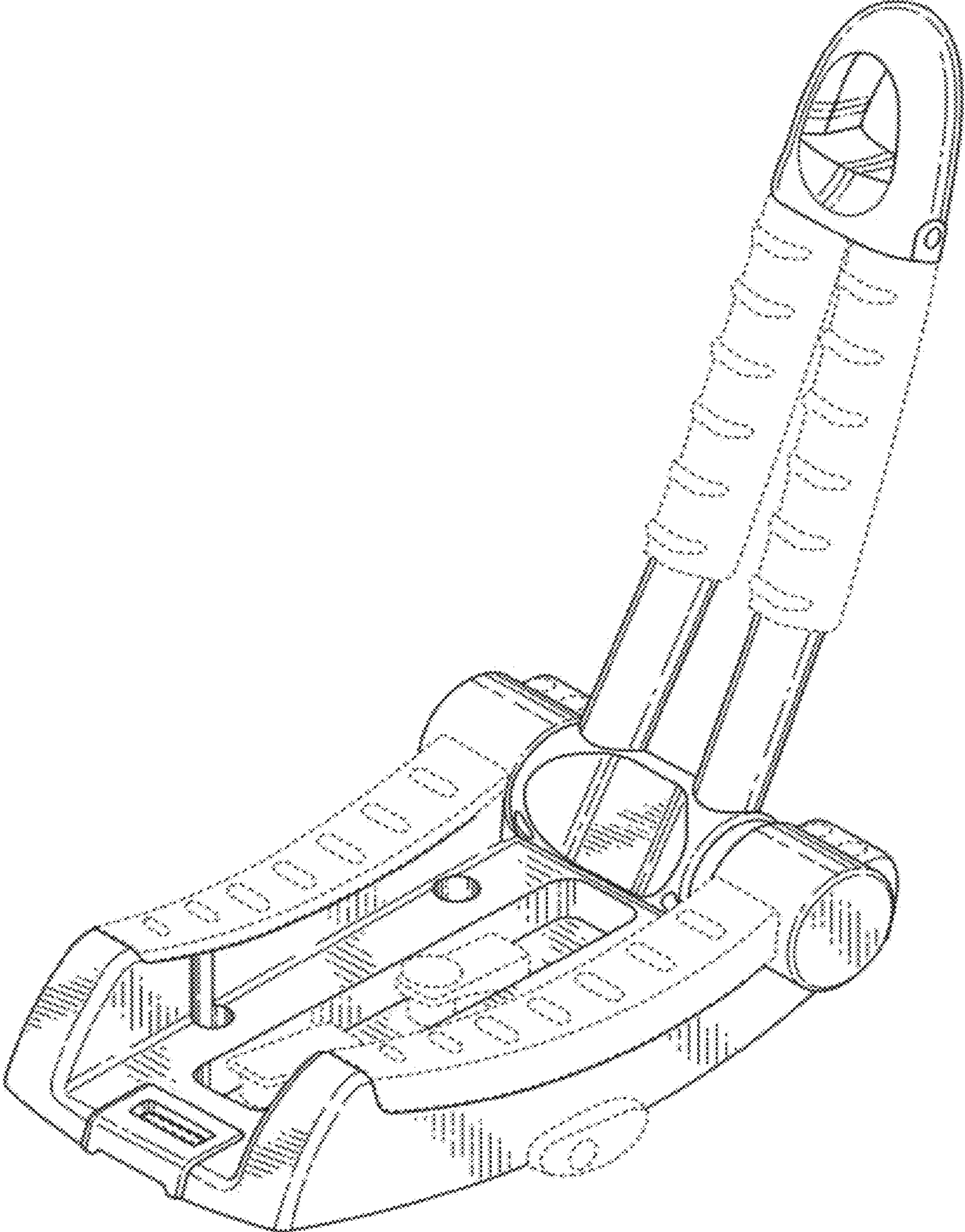


FIG. 2

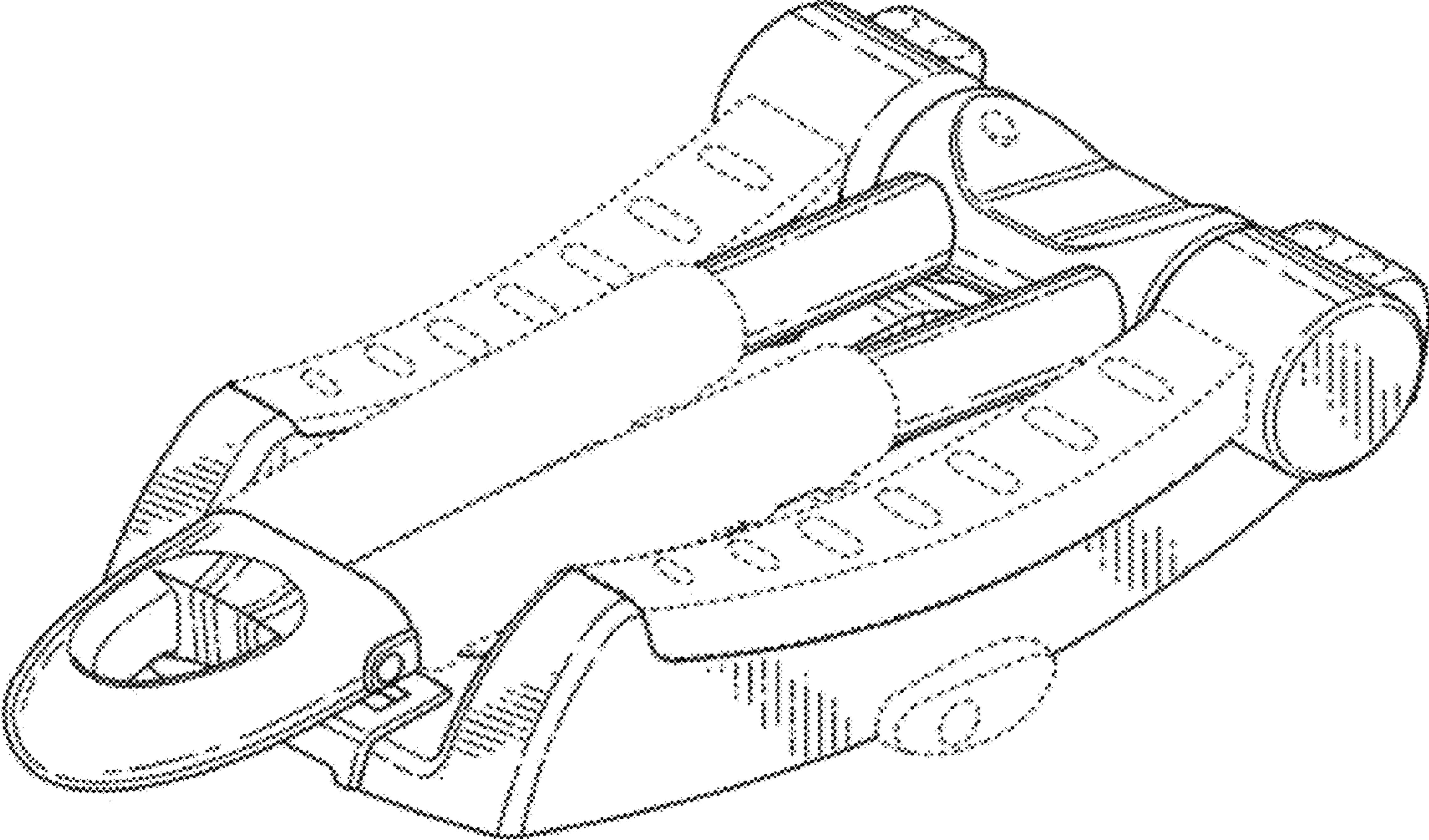


FIG. 3

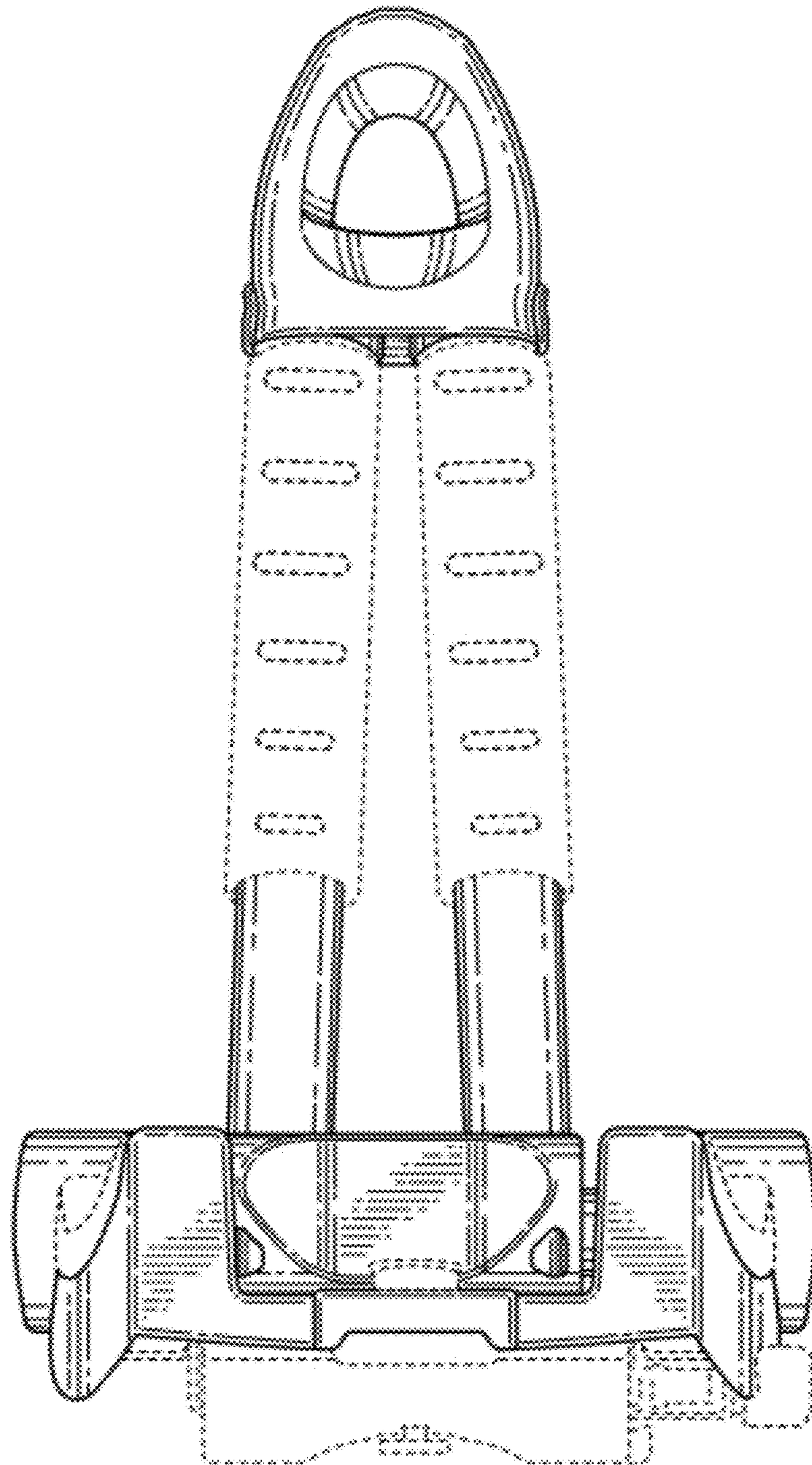


FIG. 4

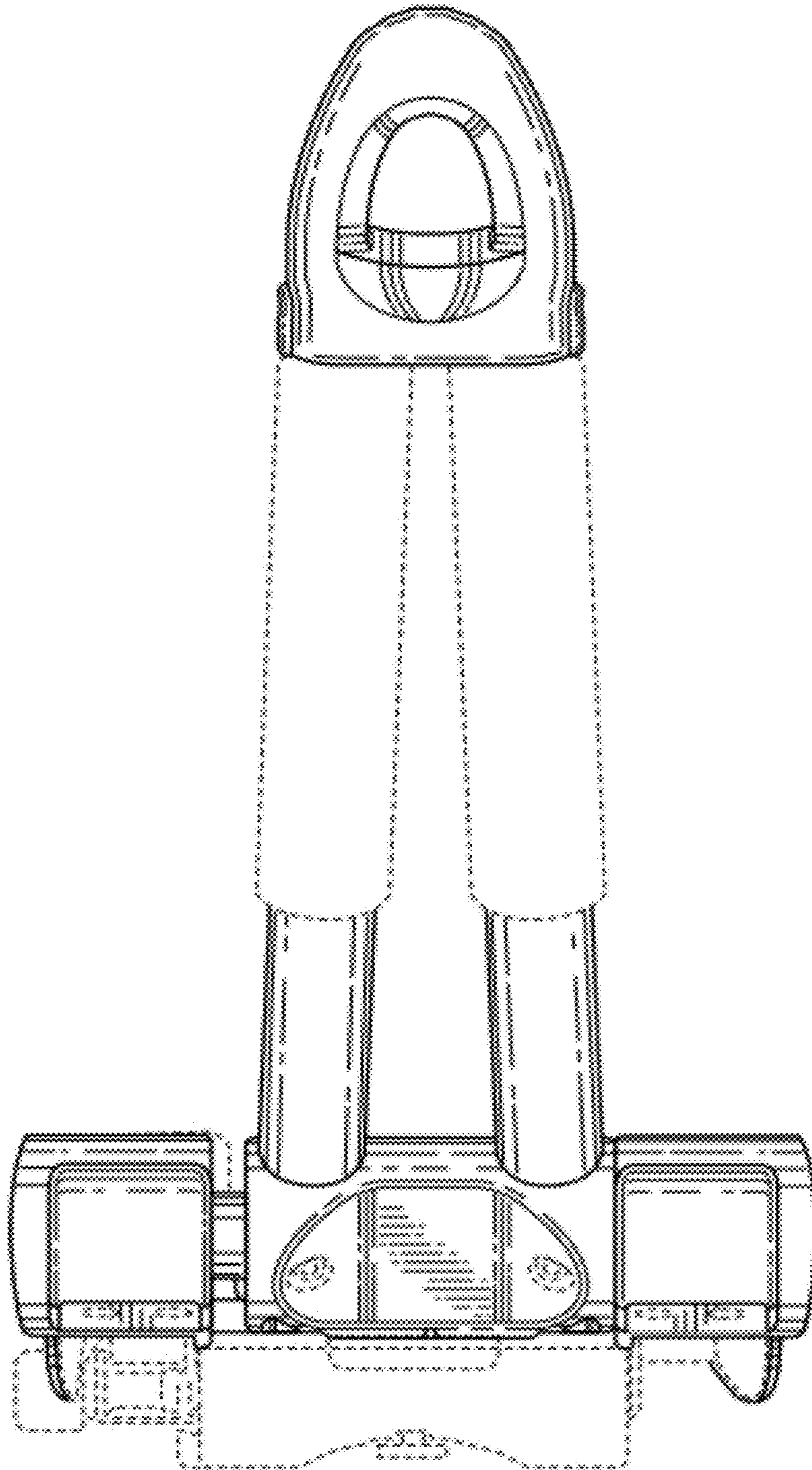


FIG. 5

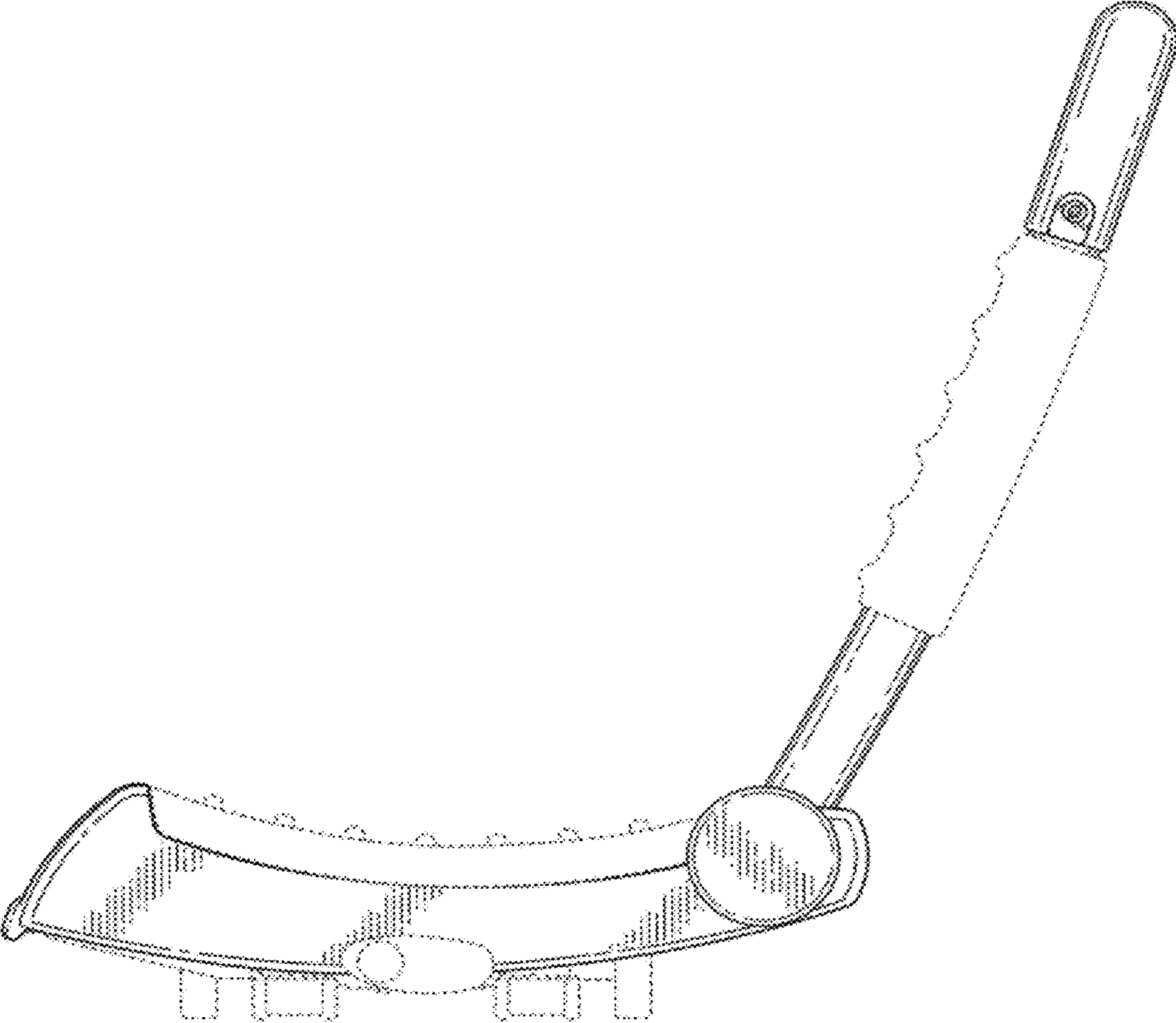


FIG. 6

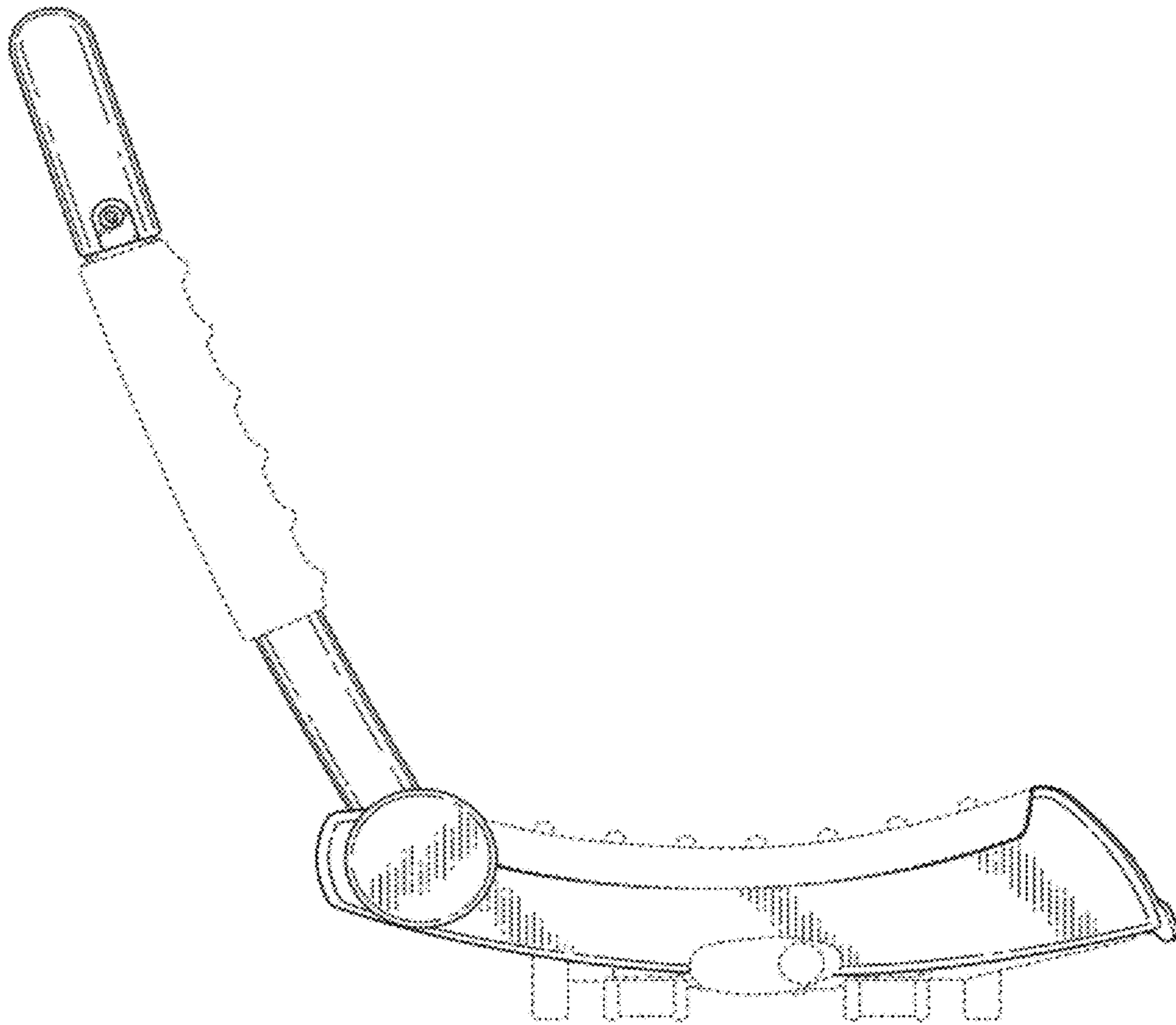


FIG. 7

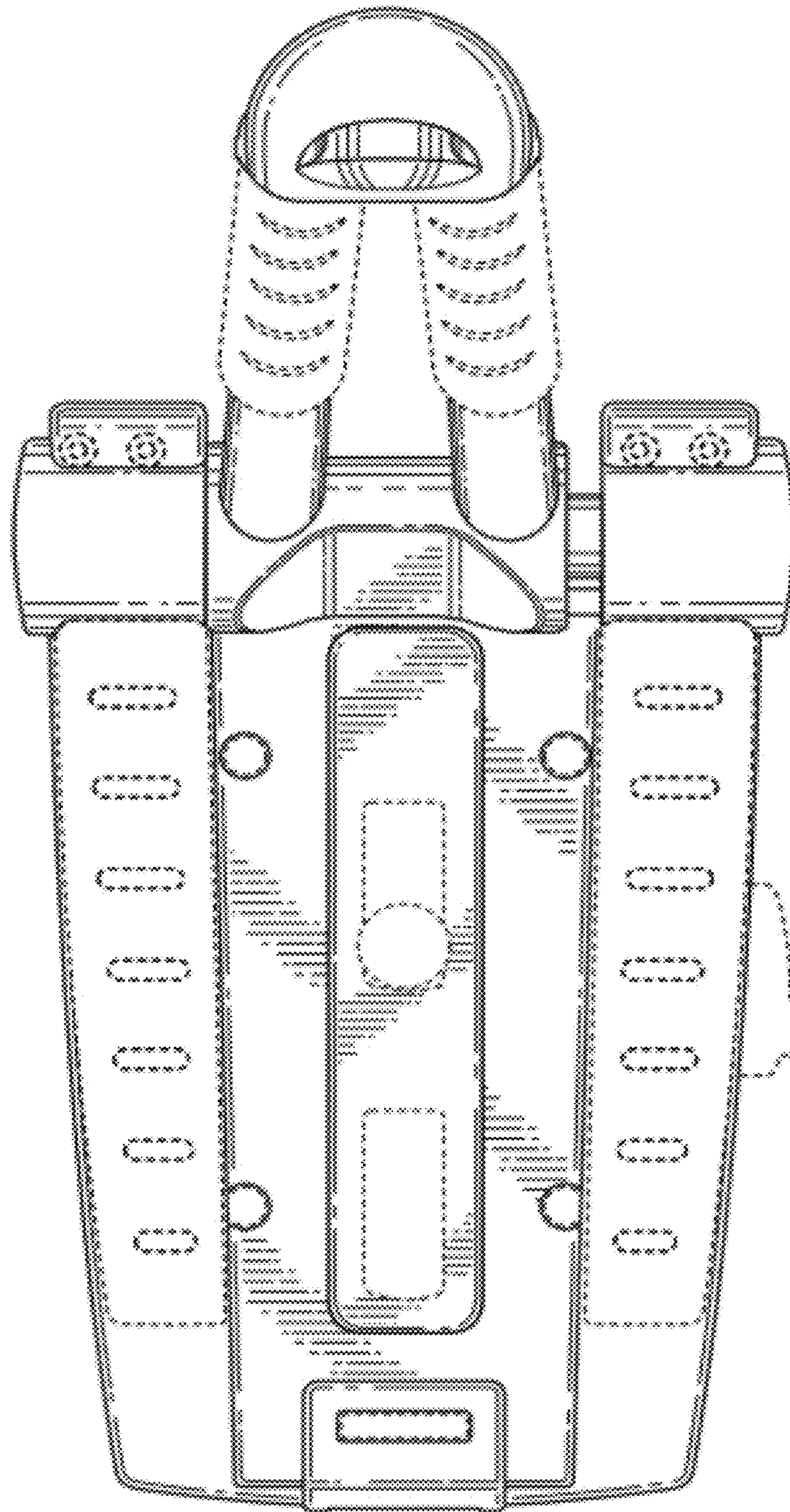


FIG. 8

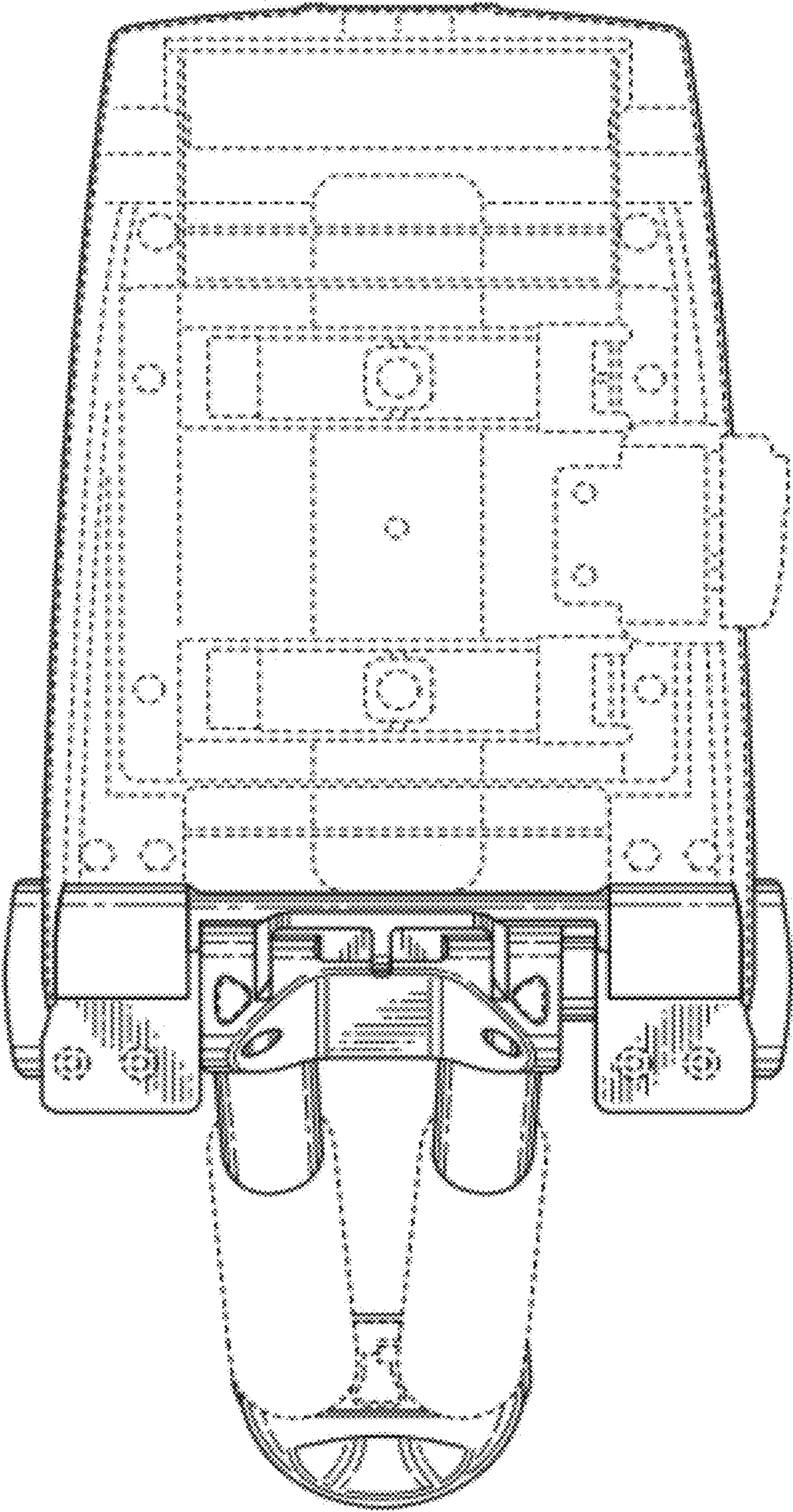


FIG. 9