



US00D665720S

(12) **United States Design Patent**
Stille et al.

(10) **Patent No.:** **US D665,720 S**

(45) **Date of Patent:** **** Aug. 21, 2012**

(54) **ROTARY WING AIRCRAFT**

(75) Inventors: **Brandon L. Stille**, Cheshire, CT (US);
Ashley DeVito, Newtown, CT (US);
Benjamin Reed Hein, Milford, CT
(US); **Timothy Fred Lauder**, Oxford,
CT (US); **Patrick Boyle**, New Haven,
CT (US); **Mark R. Alber**, Milford, CT
(US); **William J. Eadie**, Cheshire, CT
(US)

(73) Assignee: **Sikorsky Aircraft Corporation**,
Stratford, CT (US)

(**) Term: **14 Years**

(21) Appl. No.: **29/410,676**

(22) Filed: **Jan. 11, 2012**

(51) **LOC (9) Cl.** **12-07**

(52) **U.S. Cl.** **D12/326**

(58) **Field of Classification Search** D12/327,
D12/326, 328, 329; 244/17.11, 17.19, 17.23,
244/17.25; 74/522; 416/114; D23/377;
D21/827, 583, 558, 453, 442

See application file for complete search history.

(56) **References Cited**

U.S. PATENT DOCUMENTS

D234,350 S *	2/1975	Beckert, Jr.	D12/328
D239,930 S *	5/1976	Ulisnik	D12/327
D331,565 S *	12/1992	Soon	D12/327
D336,888 S *	6/1993	Alber et al.	D12/327

D524,227 S *	7/2006	Stille et al.	D12/327
D524,228 S *	7/2006	Scott et al.	D12/327
D524,229 S *	7/2006	Stille et al.	D12/327
D524,230 S *	7/2006	Stille et al.	D12/327
D524,718 S *	7/2006	Scott et al.	D12/327
D526,269 S *	8/2006	Eadie	D12/327
D557,194 S *	12/2007	Zimet	D12/326
D559,764 S *	1/2008	Wai	D12/326
D561,676 S *	2/2008	Wai	D12/326
D561,677 S *	2/2008	Wai	D12/326
D579,403 S *	10/2008	Van de Rostyne et al.	..	D12/326
D580,845 S *	11/2008	Van de Rostyne et al.	..	D12/326
D592,583 S *	5/2009	Brody et al.	D12/326
D614,559 S *	4/2010	Alber et al.	D12/326
8,038,394 B2 *	10/2011	Stille et al.	416/1
2004/0222329 A1 *	11/2004	Kuhns et al.	244/6

* cited by examiner

Primary Examiner — Austin Murphy

(74) *Attorney, Agent, or Firm* — Cantor Colburn LLP

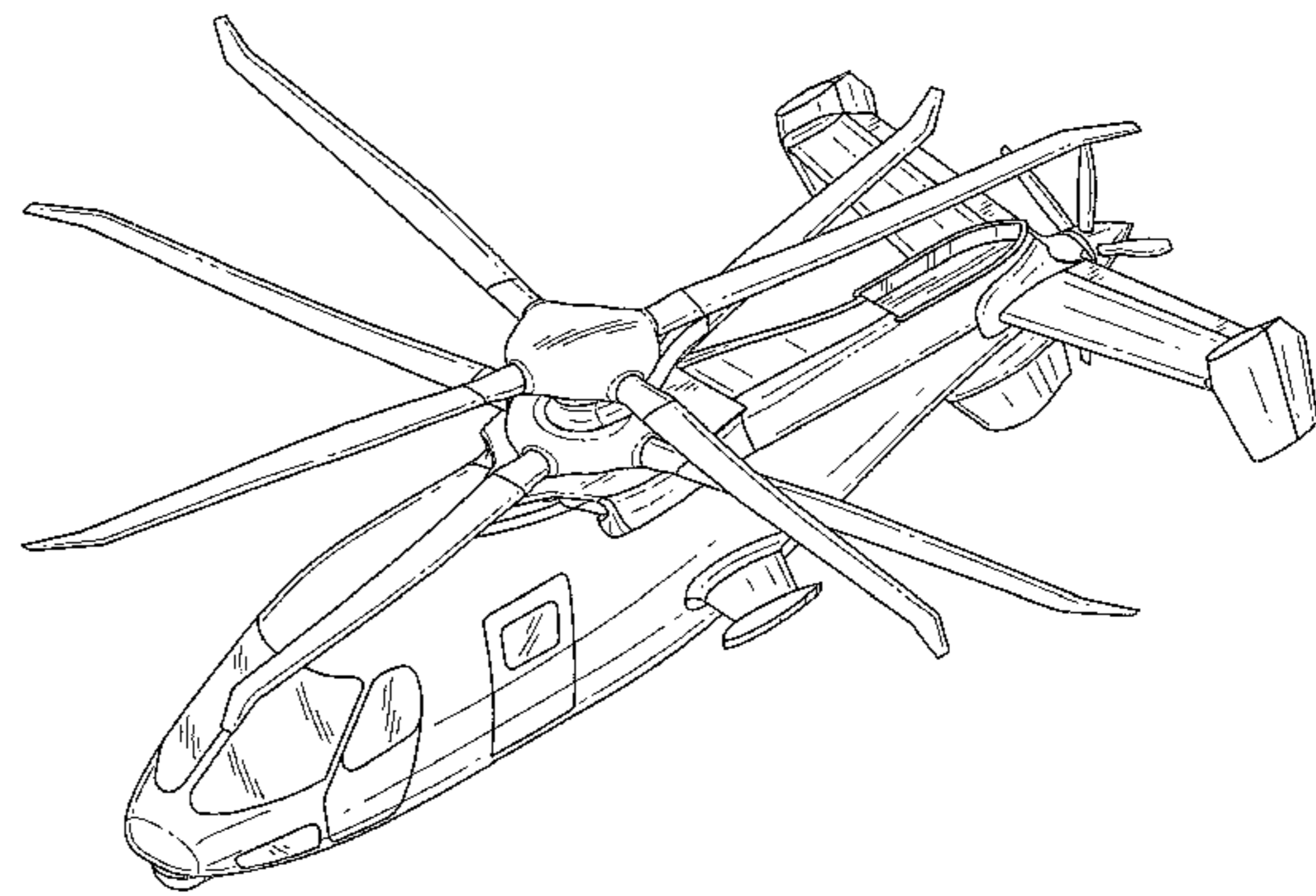
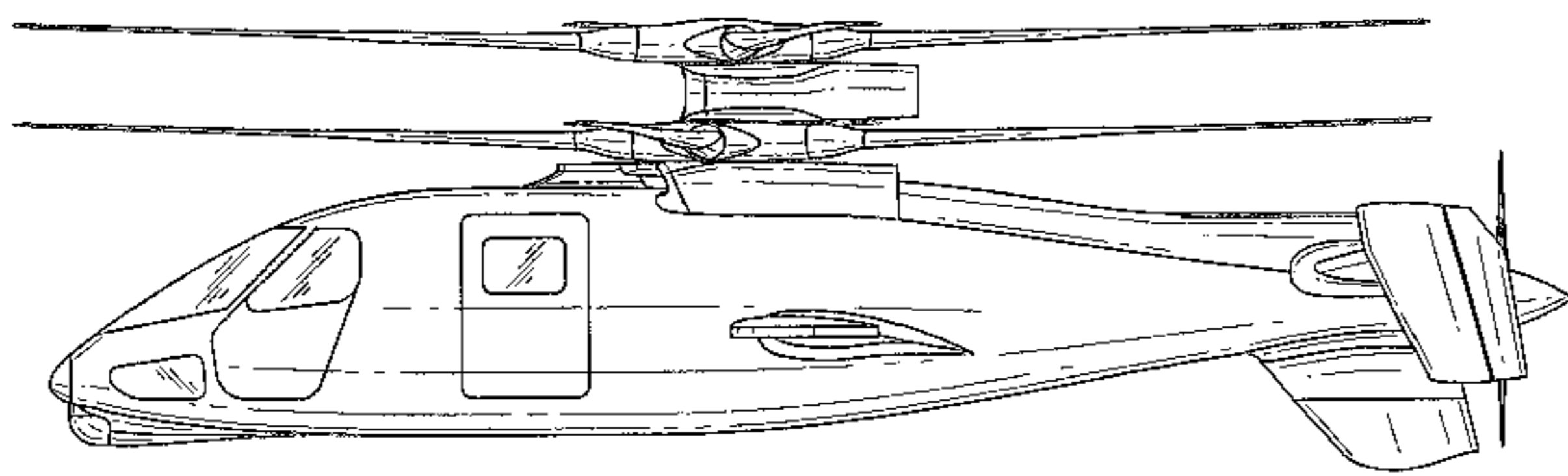
(57) **CLAIM**

The ornamental design for a rotary wing aircraft, as shown and described.

DESCRIPTION

FIG. 1 is a top view of a rotary wing aircraft;
FIG. 2 is a bottom view thereof;
FIG. 3 is a front elevational view thereof;
FIG. 4 is a rear elevational view thereof;
FIG. 5 is a left side elevational view thereof;
FIG. 6 is a right side elevational view thereof; and,
FIG. 7 is a perspective view thereof.

1 Claim, 5 Drawing Sheets



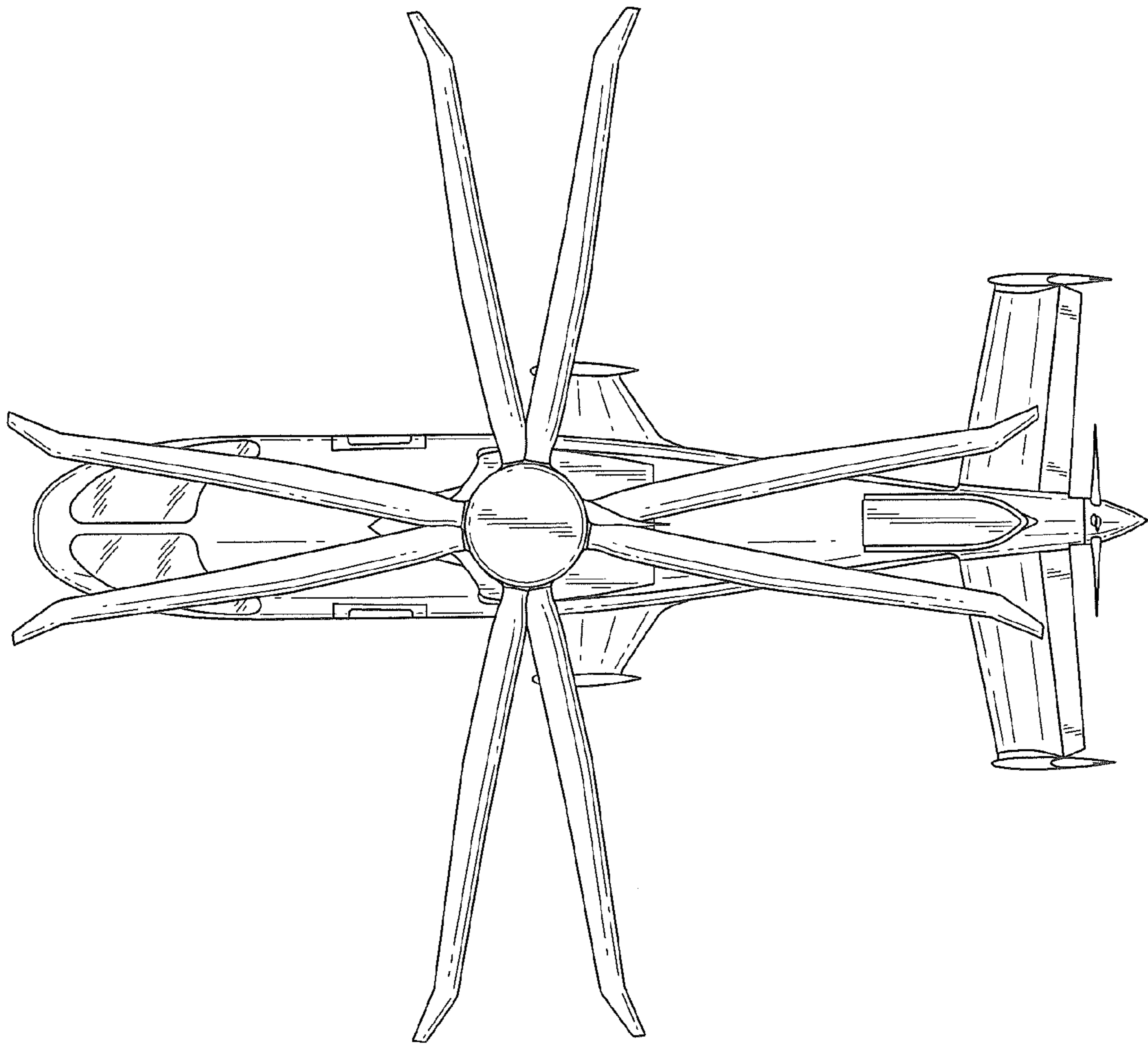


FIG. 1

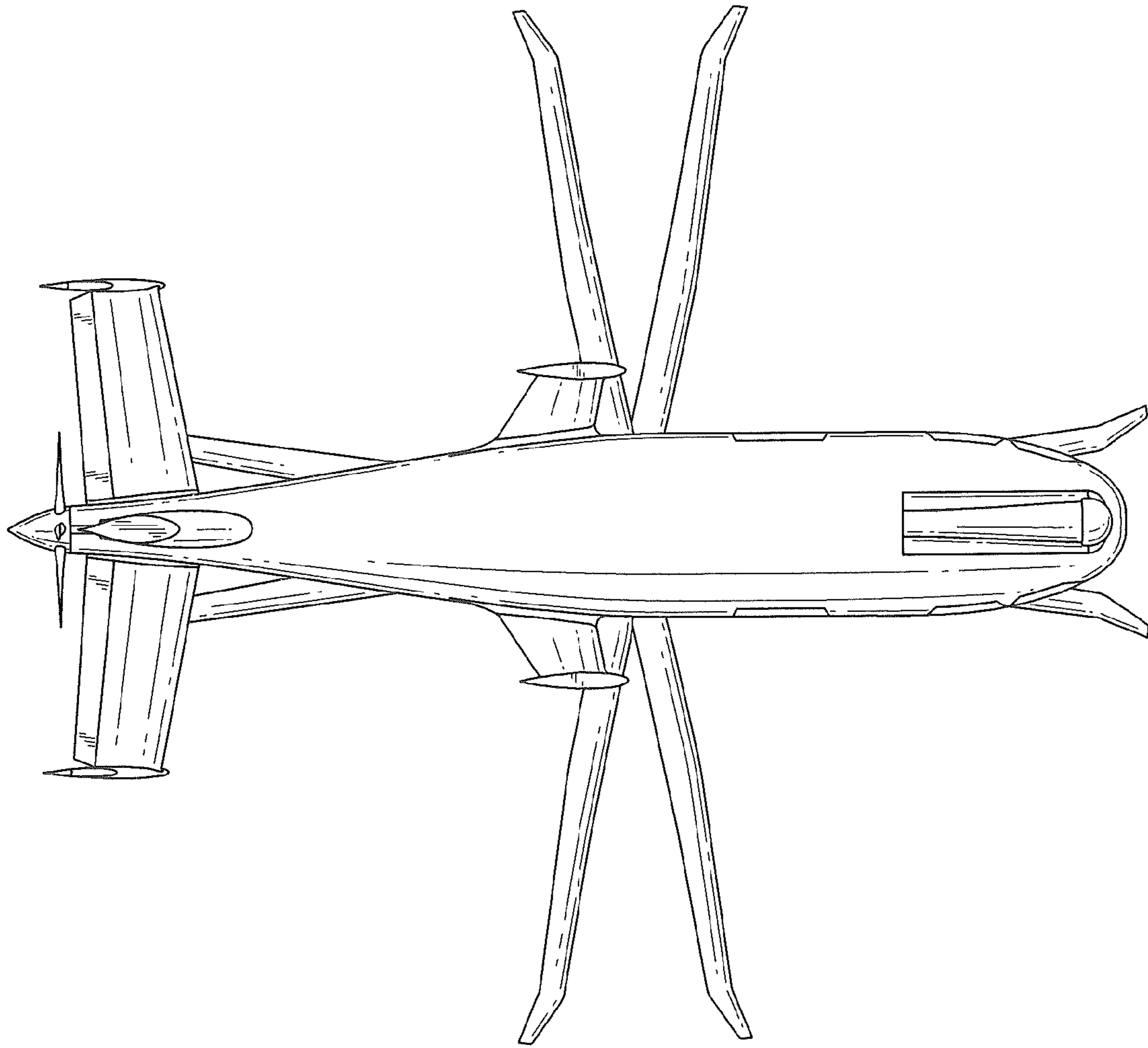


FIG. 2

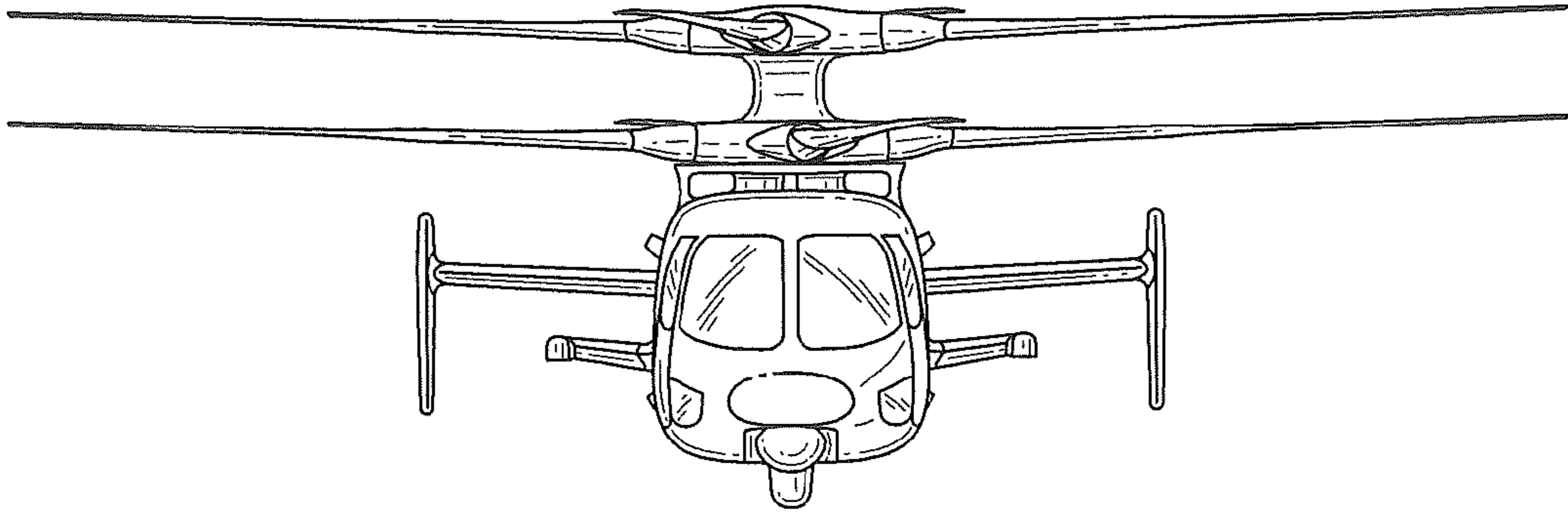


FIG. 3

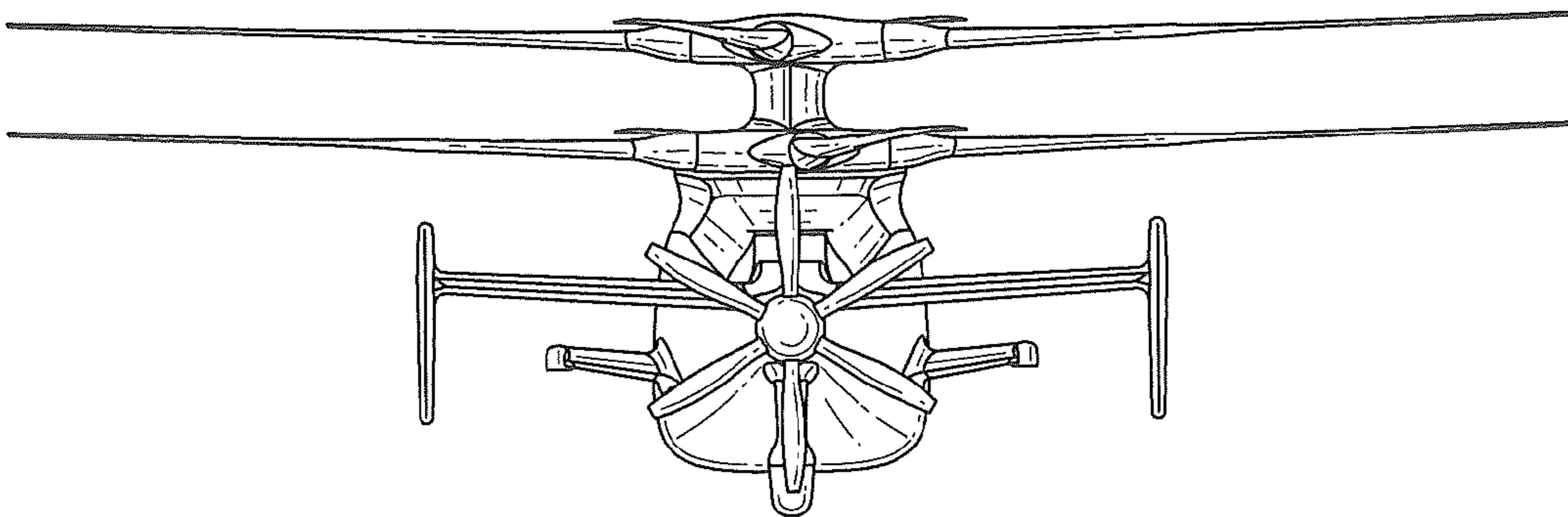


FIG. 4

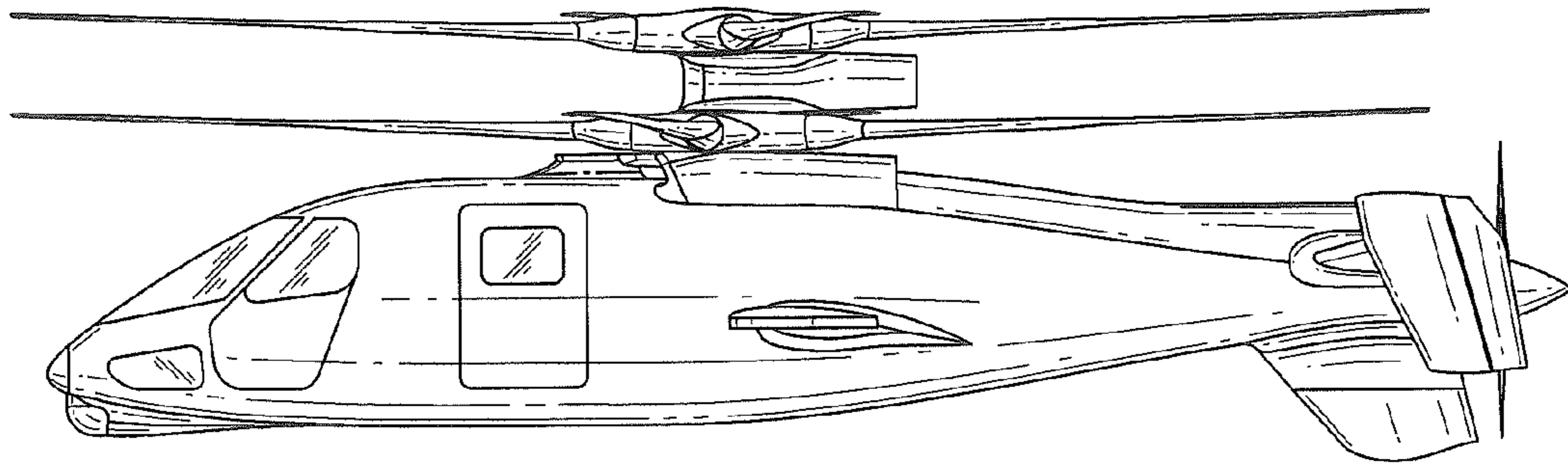


FIG. 5

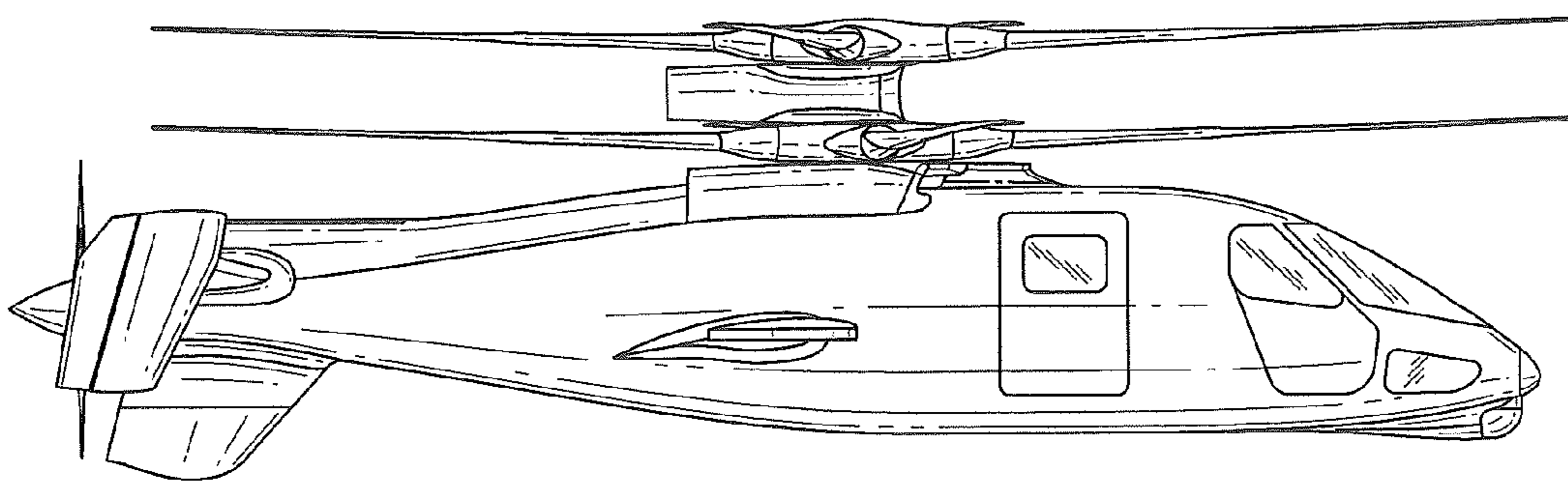


FIG. 6

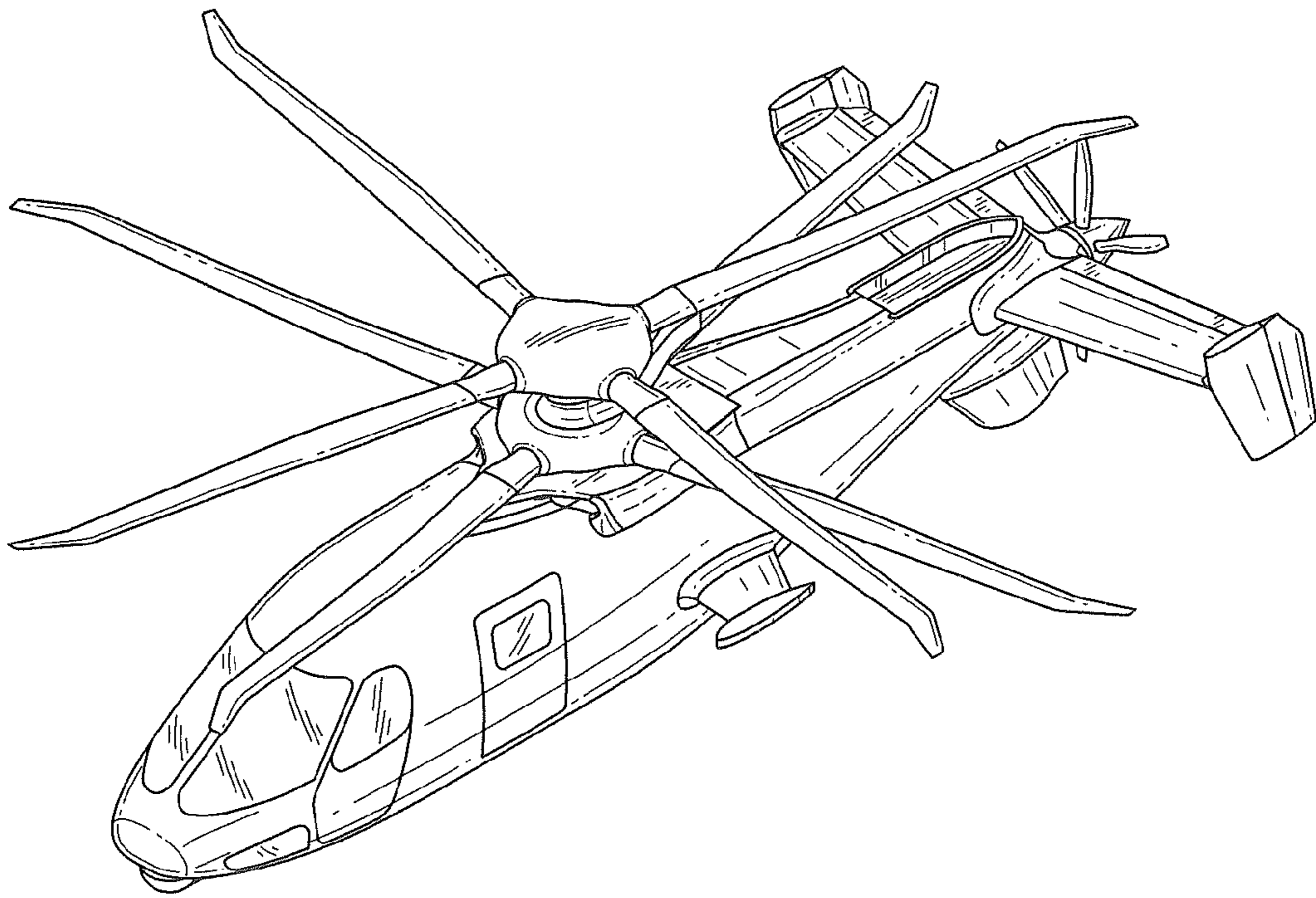


FIG. 7