



US00D665716S

(12) **United States Design Patent**  
**Houssat et al.**

(10) **Patent No.:** **US D665,716 S**

(45) **Date of Patent:** **\*\* Aug. 21, 2012**

(54) **CONNECTOR FOR WINDSCREEN WIPERS**

(75) Inventors: **Stéphane Houssat**, Blanzat (FR);  
**Philippe Epinasse**, Coudes (FR); **Serge Braud**, Le Puy en Velay (FR)

(73) Assignee: **Valeo Systems d'Essuyage**, La Verriere (FR)

(\*\*) Term: **14 Years**

(21) Appl. No.: **29/400,715**

(22) Filed: **Aug. 31, 2011**

(51) **LOC (9) Cl.** ..... **12-06**

(52) **U.S. Cl.** ..... **D12/220**

(58) **Field of Classification Search** ..... D12/219-220;  
15/246, 247, 250.001, 250.4, 250.361, 250.19,  
15/250.48, 250.03, 250.31-250.33, 250.351,  
15/250.38, 250.201, 250.451, 250.458, 250.04,  
15/250.07, 250.44

See application file for complete search history.

(56) **References Cited**

**U.S. PATENT DOCUMENTS**

D478,308 S *	8/2003	Lee	.....	D12/220
D586,717 S *	2/2009	Depondt	.....	D12/220
D592,120 S *	5/2009	Grasso et al.	.....	D12/220
D597,470 S *	8/2009	Grasso et al.	.....	D12/220

\* cited by examiner

*Primary Examiner* — Caron D Veynar

*Assistant Examiner* — Katrina A Betton

(74) *Attorney, Agent, or Firm* — Pillsbury Winthrop Shaw Pittman LLP

(57) **CLAIM**

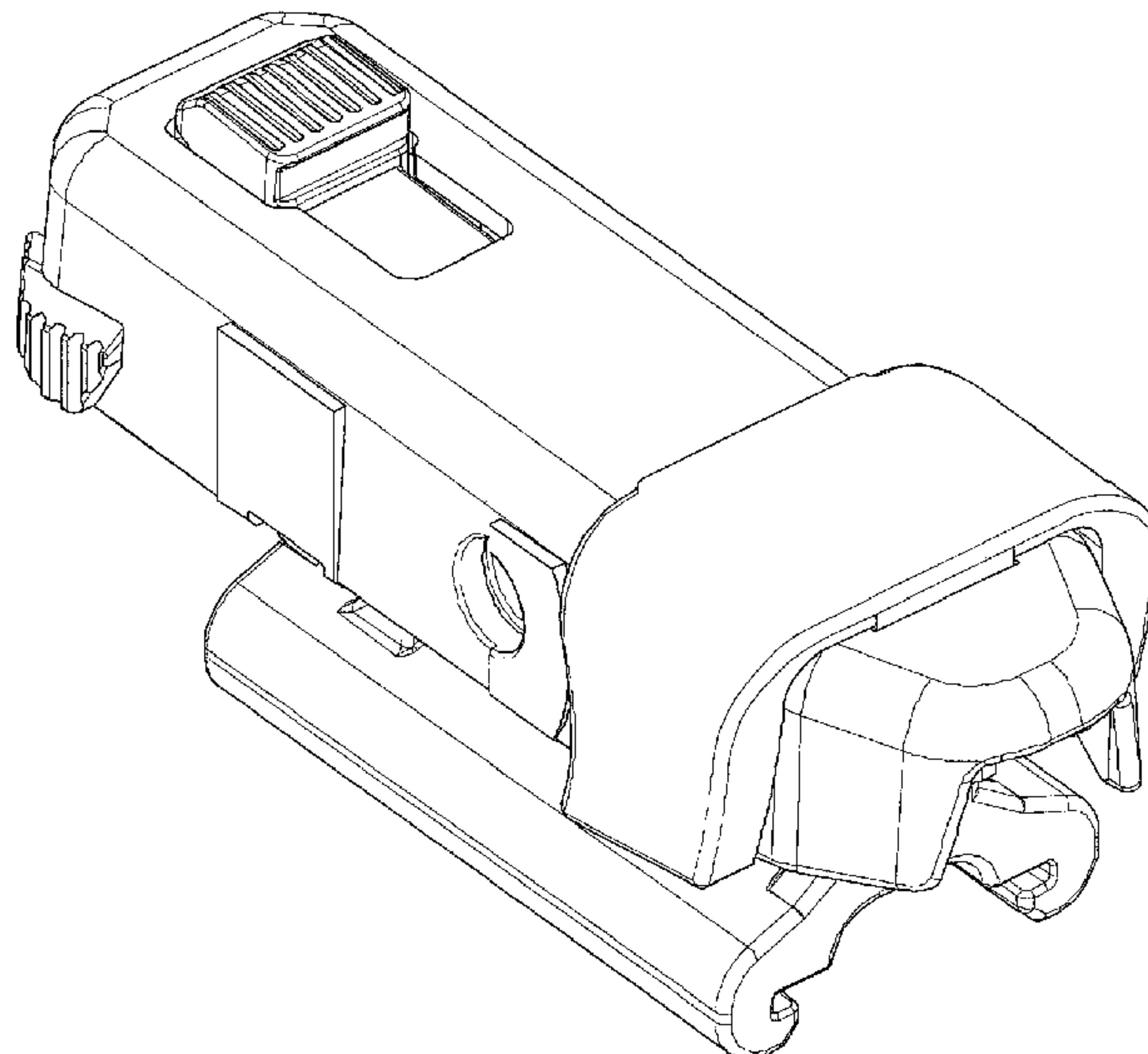
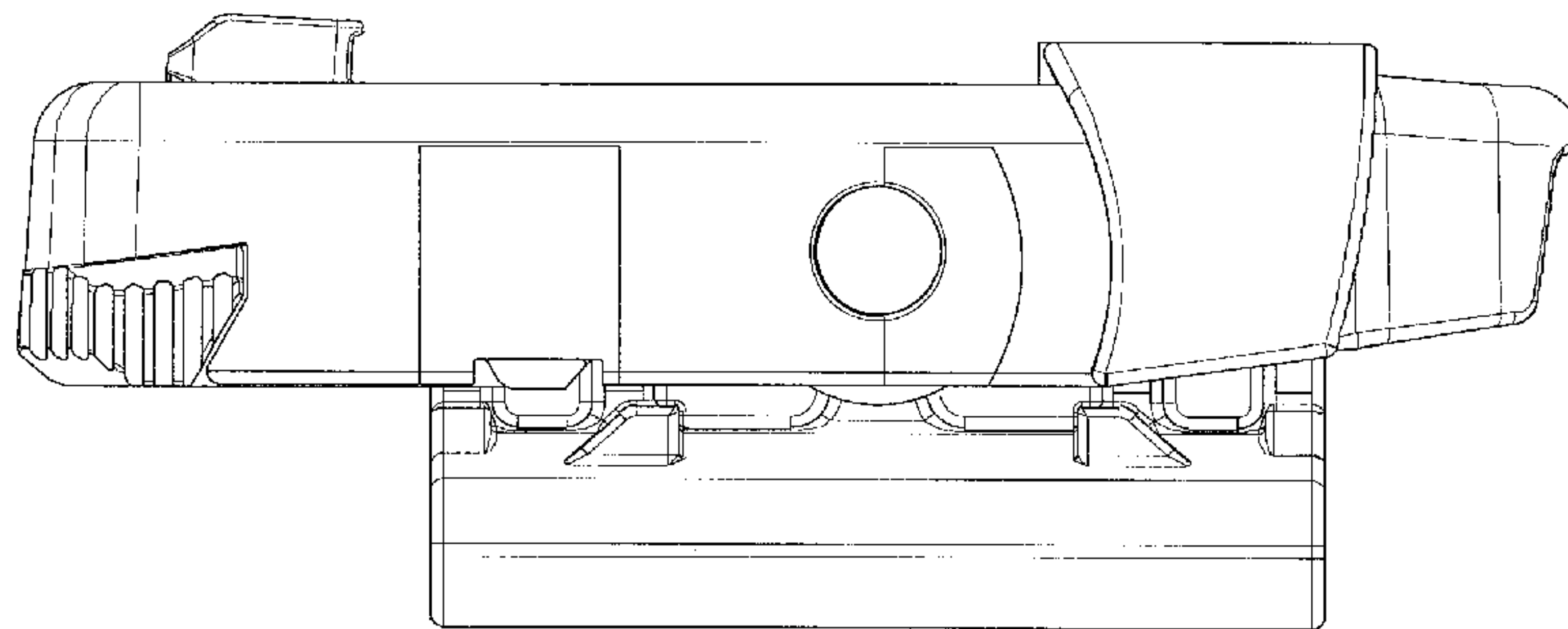
The ornamental design for a connector for windscreen wipers, as shown and described.

**DESCRIPTION**

FIG. 1 is a front view of the connector for windscreen wipers showing our new design;  
FIG. 2 is a rear view thereof;  
FIG. 3 is a right side view thereof;  
FIG. 4 is a left side view thereof;  
FIG. 5 is a top view thereof;  
FIG. 6 is a bottom view thereof; and,  
FIG. 7 is a perspective view of the connector for windscreen wipers.

In the drawings, the broken lines in FIG. 6 depict portions of the article that form no part of the claim.

**1 Claim, 7 Drawing Sheets**



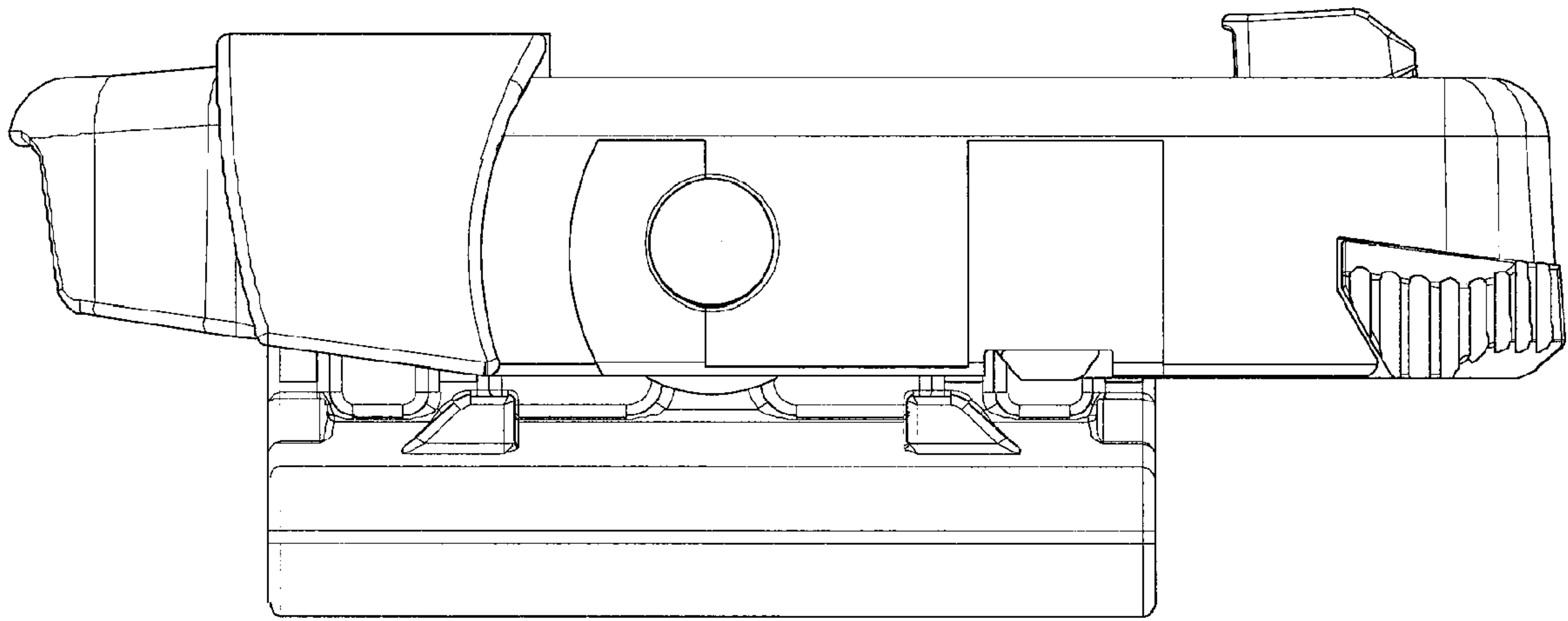


FIG. 1

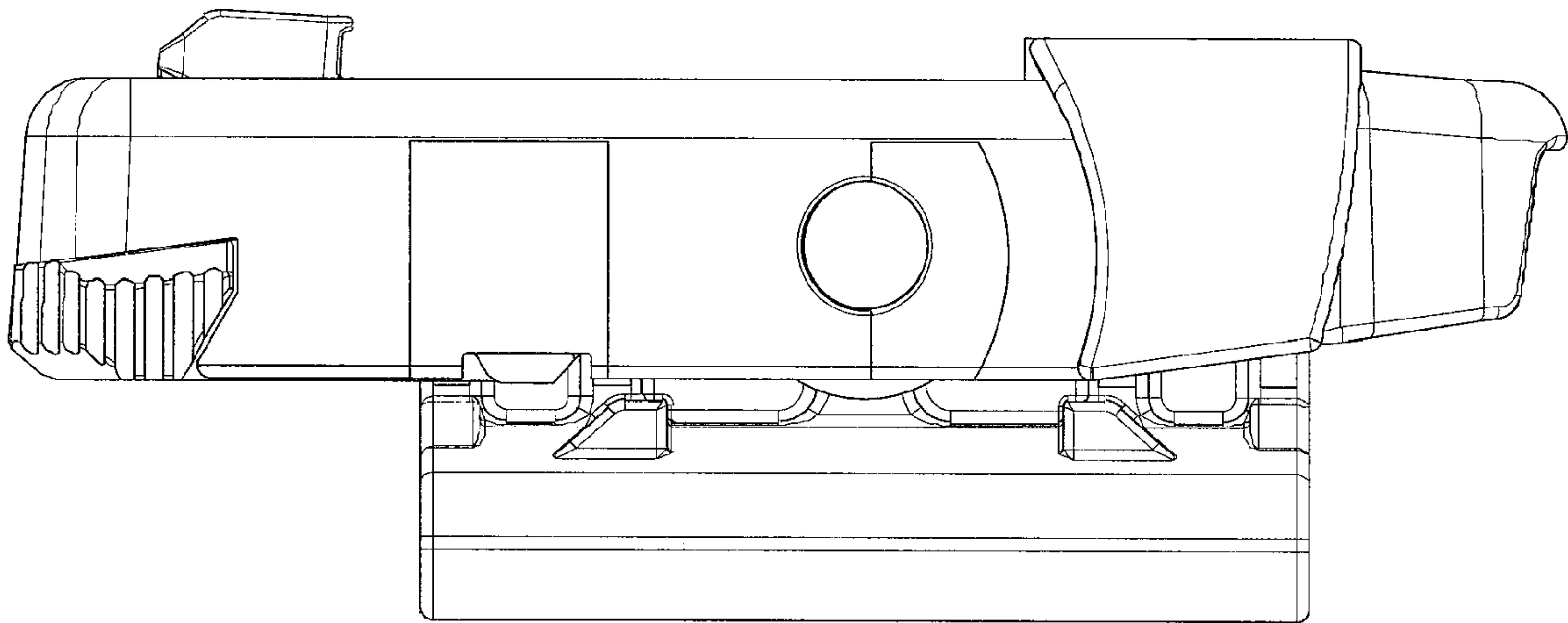


FIG. 2

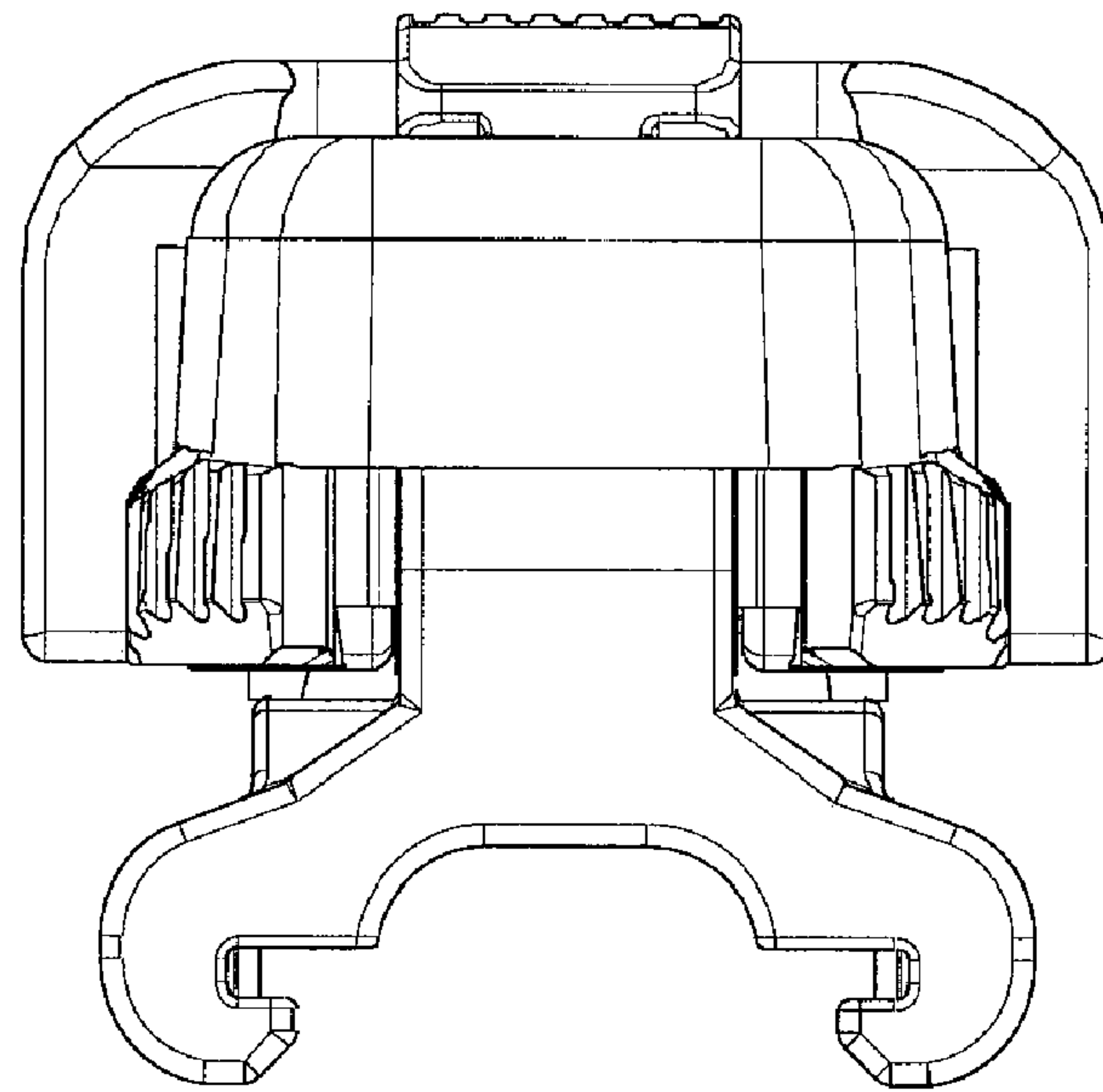


FIG. 3

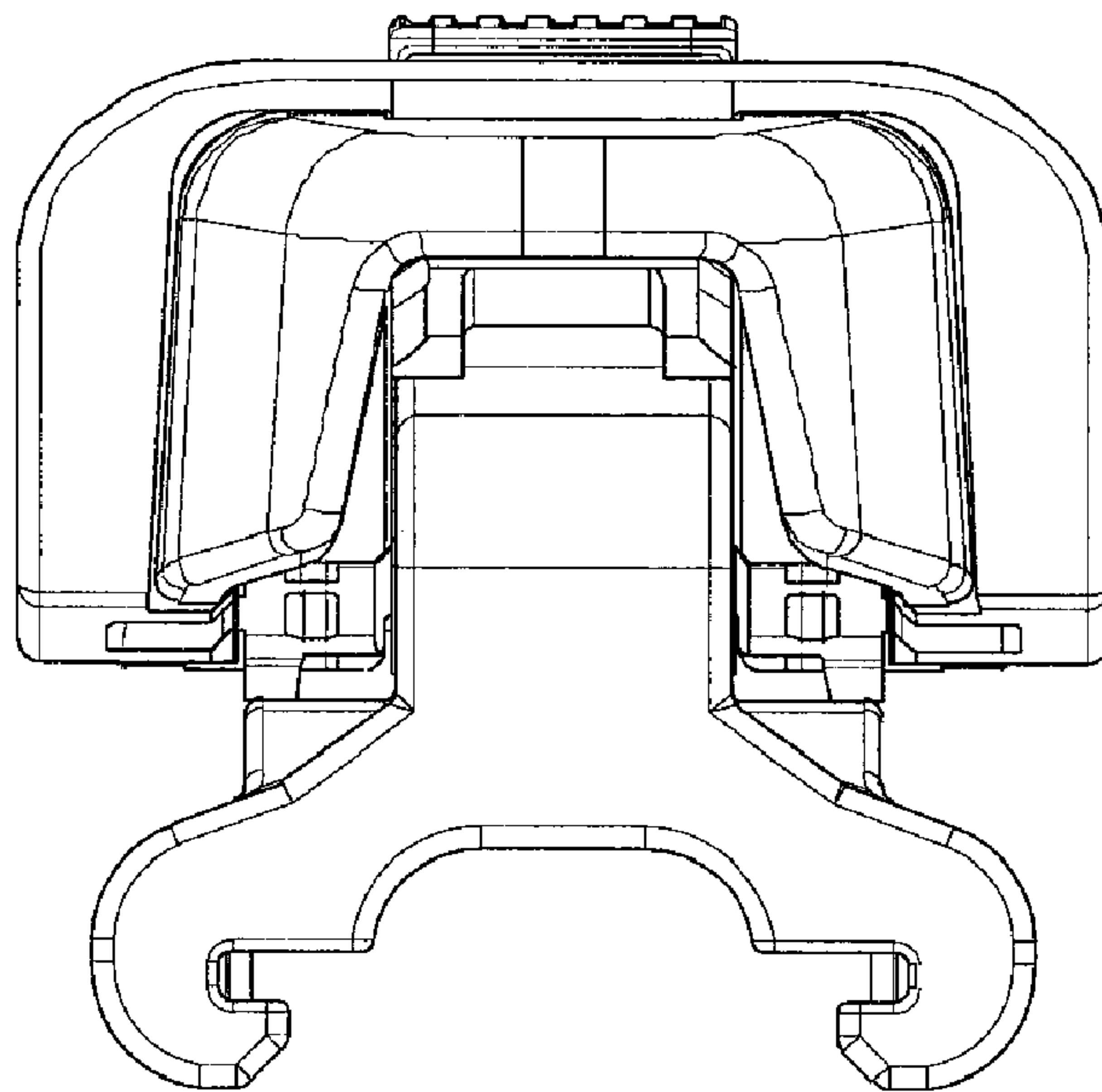


FIG. 4

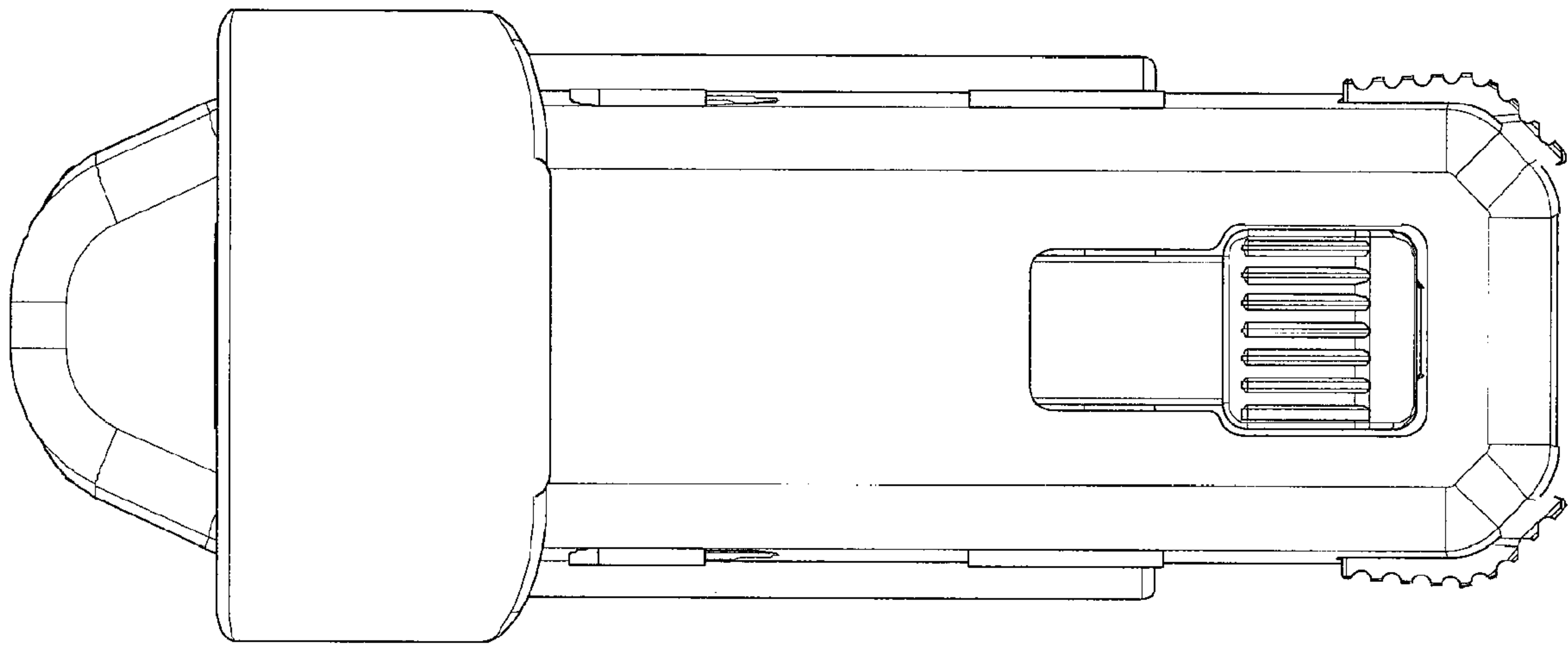


FIG. 5

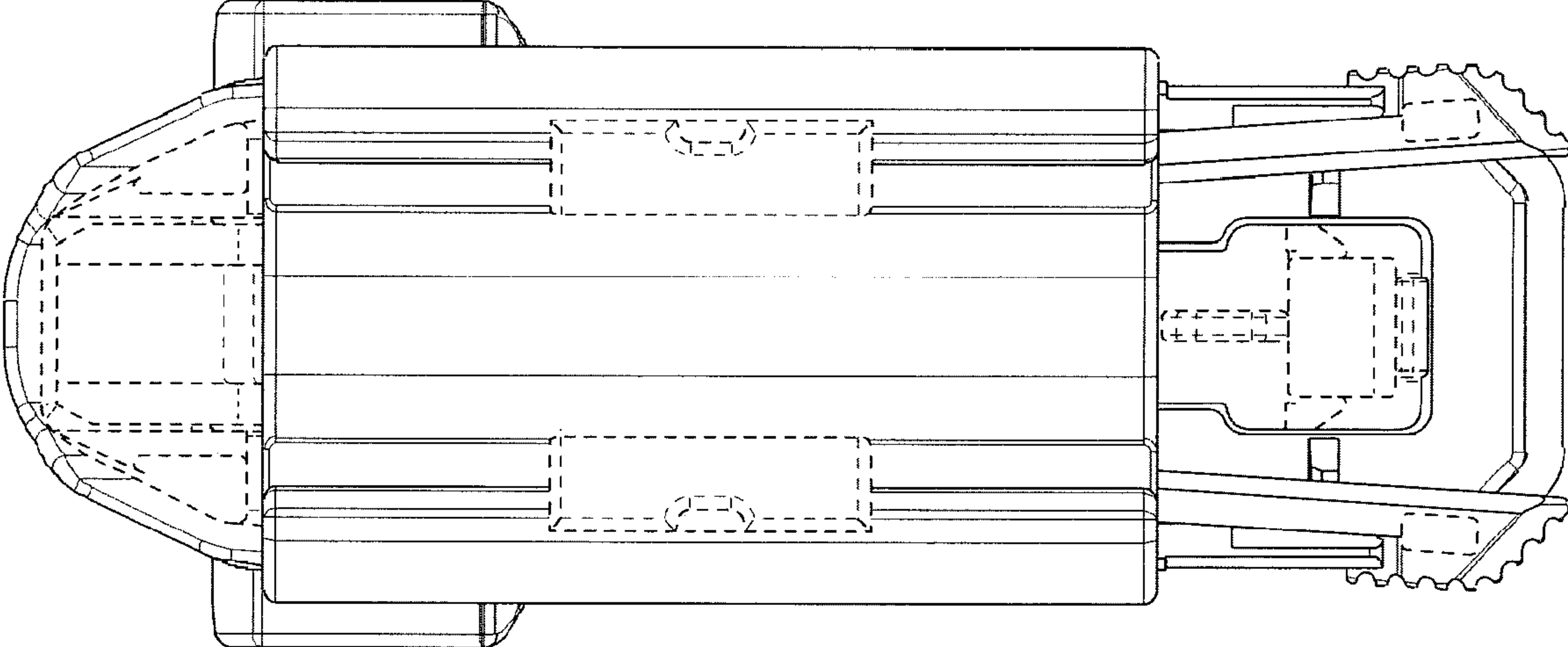


FIG. 6



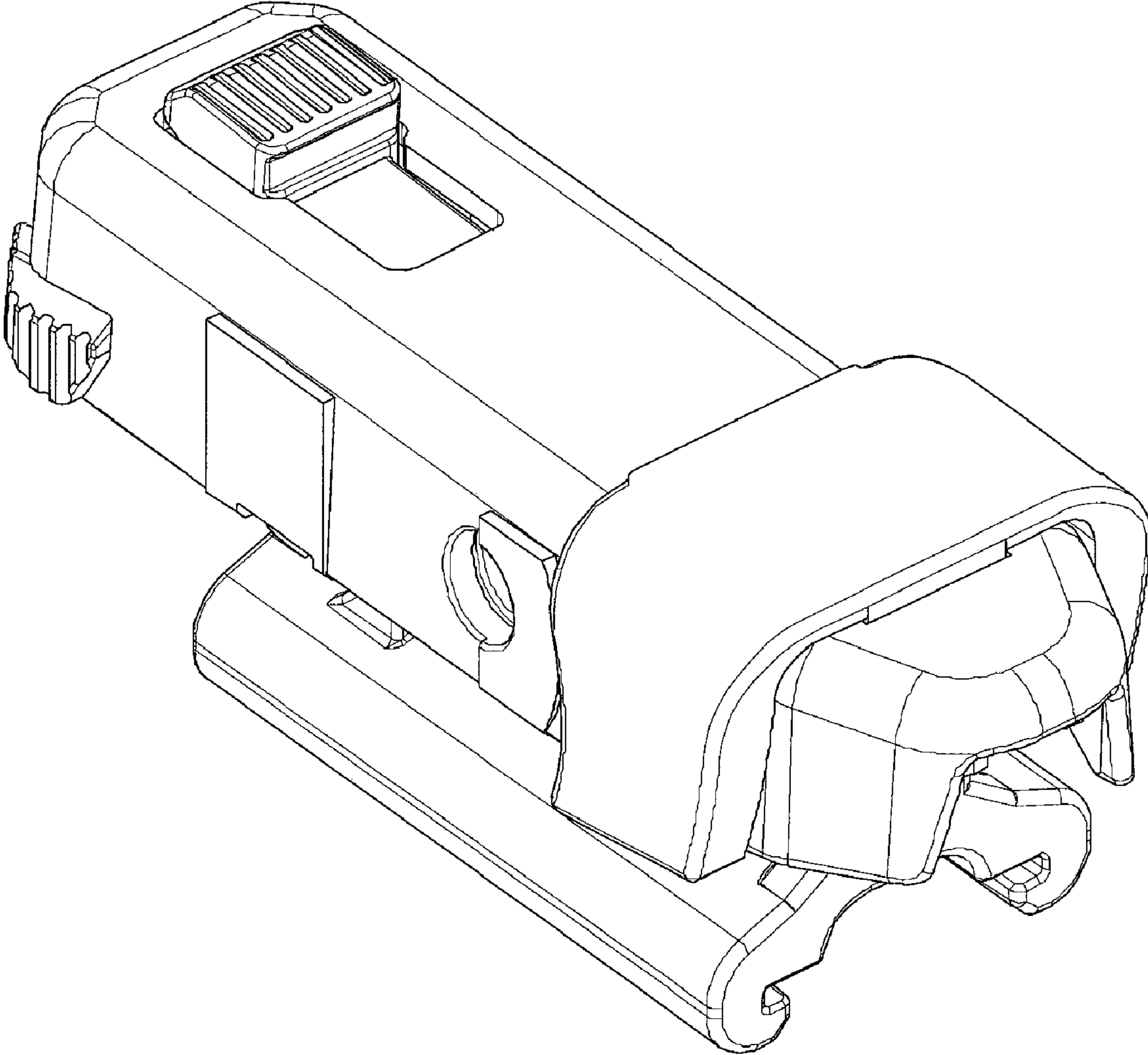


FIG. 7



UNITED STATES PATENT AND TRADEMARK OFFICE  
**CERTIFICATE OF CORRECTION**

PATENT NO. : D665,716 S  
APPLICATION NO. : 29/400715  
DATED : August 21, 2012  
INVENTOR(S) : Stéphane Houssat et al.

Page 1 of 1

It is certified that error appears in the above-identified patent and that said Letters Patent is hereby corrected as shown below:

**On title page, please add item (30) Foreign Application Priority Data, and insert the following priority claim as submitted on the Application Data Sheet filed August 31, 2011:**

--European Community Design Patent Application No. 001877572-0006, filed  
June 14, 2011--

Signed and Sealed this  
Twenty-third Day of October, 2012



David J. Kappos  
*Director of the United States Patent and Trademark Office*