



US00D665715S

(12) **United States Design Patent**
Houssat et al.

(10) **Patent No.:** **US D665,715 S**

(45) **Date of Patent:** **** Aug. 21, 2012**

(54) **CONNECTOR FOR WINDSCREEN WIPERS**

(75) Inventors: **Stéphane Houssat**, Blanzat (FR);
Philippe Epinasse, Coudes (FR); **Serge Braud**, Le Puy en Velay (FR); **Loïc Roussel**, Isserteaux (FR)

(73) Assignee: **Valeo Systemes d'Essuyage**, La Verriere (FR)

(**) Term: **14 Years**

(21) Appl. No.: **29/400,714**

(22) Filed: **Aug. 31, 2011**

(51) **LOC (9) Cl.** **12-06**

(52) **U.S. Cl.** **D12/220**

(58) **Field of Classification Search** D12/219-220;
15/246, 247, 250.001, 250.4, 250.361, 250.19,
15/250.48, 250.03, 250.31-250.33, 250.351,
15/250.38, 250.201, 250.451, 250.458, 250.04,
15/250.07, 250.44

See application file for complete search history.

(56) **References Cited**

U.S. PATENT DOCUMENTS

D478,308 S * 8/2003 Lee D12/220
7,395,578 B2 * 7/2008 Huang 15/250.32
D579,849 S * 11/2008 Garrastacho et al. D12/219

D586,717 S * 2/2009 Depondt D12/220
D597,465 S * 8/2009 Grasso et al. D12/220
D597,466 S * 8/2009 Grasso et al. D12/220
D597,468 S * 8/2009 Grasso et al. D12/220
D597,470 S * 8/2009 Grasso et al. D12/220
2006/0010636 A1 * 1/2006 Vacher 15/250.32
2007/0289079 A1 * 12/2007 Van Bealen 15/250.32

* cited by examiner

Primary Examiner — Caron D Veynar

Assistant Examiner — Katrina A Betton

(74) *Attorney, Agent, or Firm* — Pillsbury Winthrop Shaw Pittman LLP

(57) **CLAIM**

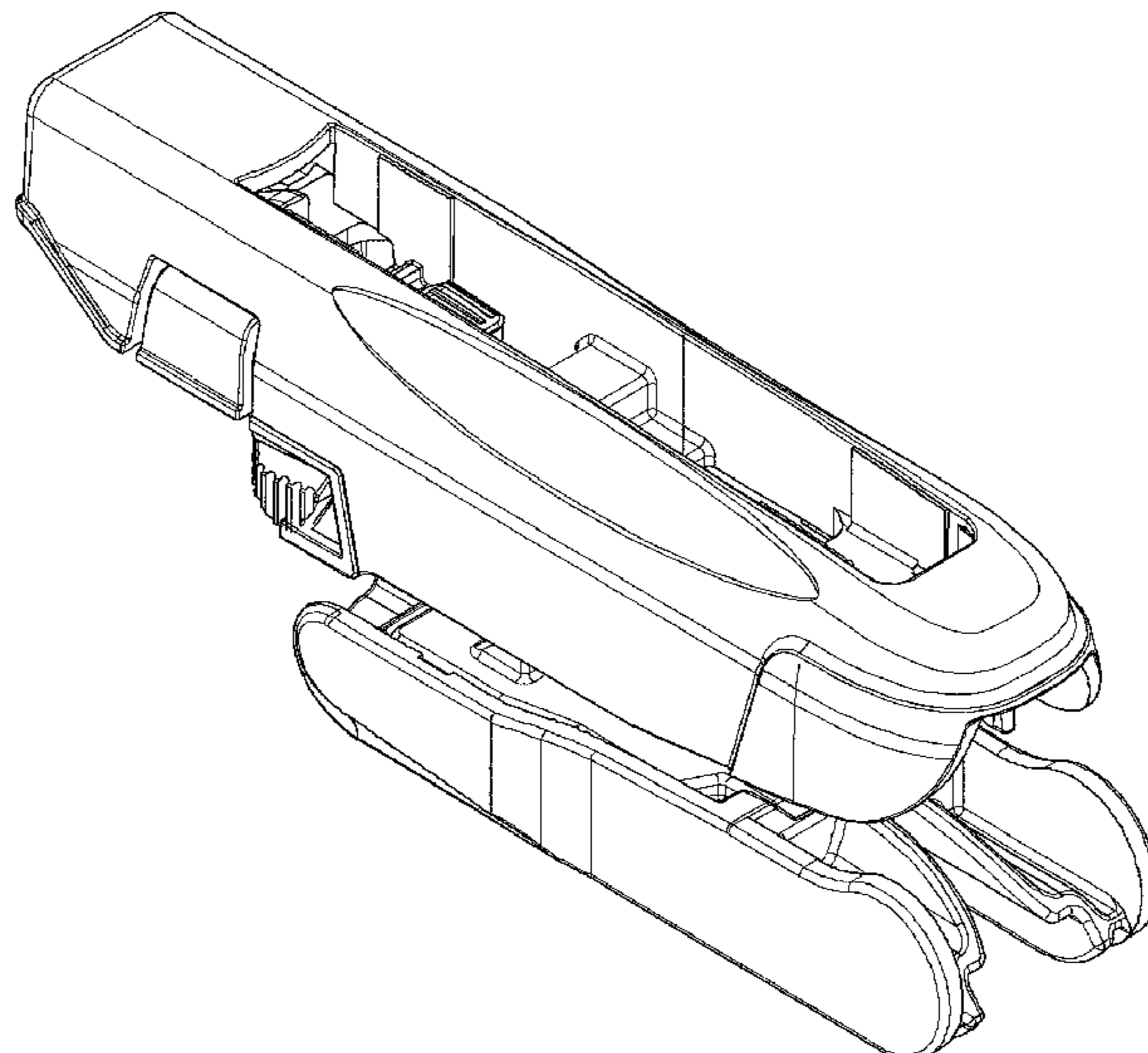
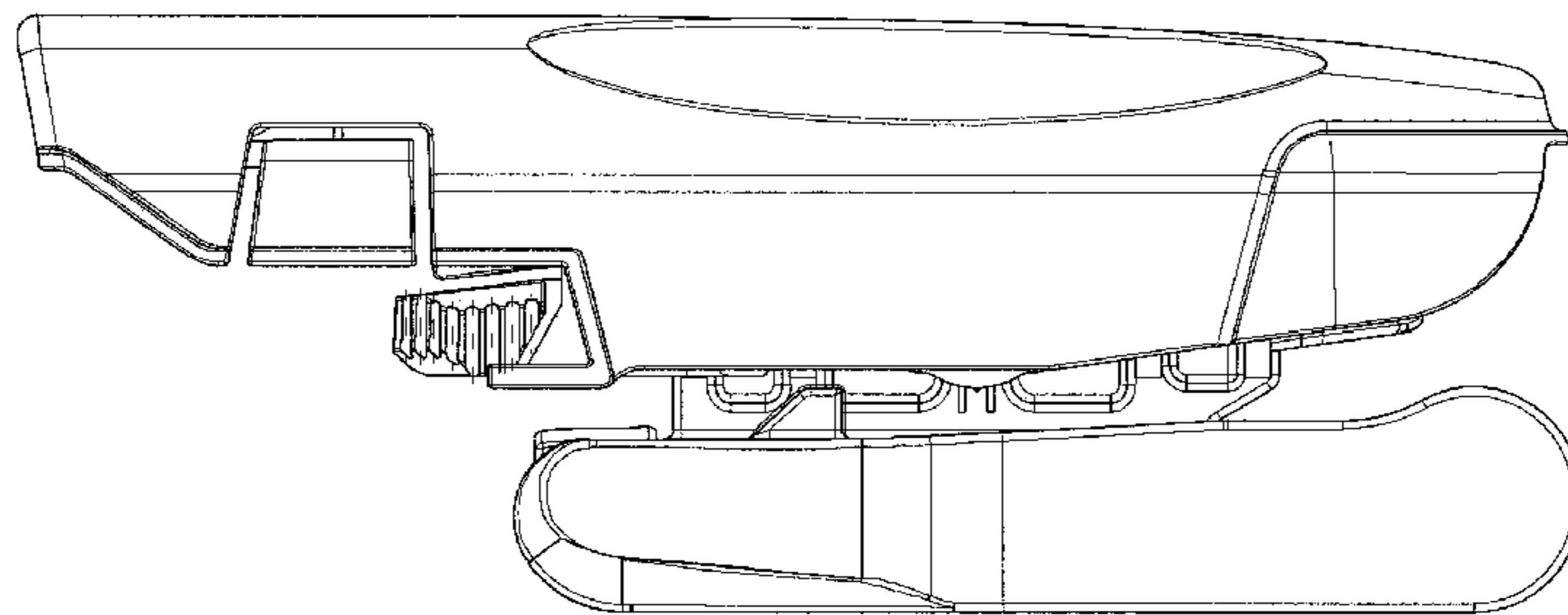
The ornamental design for a connector for windscreen wipers, as shown and described.

DESCRIPTION

FIG. 1 is a front view of the connector for windscreen wipers showing our new design;
FIG. 2 is a rear view thereof;
FIG. 3 is a right side view thereof;
FIG. 4 is a left side view thereof;
FIG. 5 is a top view thereof;
FIG. 6 is a bottom view thereof; and,
FIG. 7 is a perspective view of the connector for windscreen wipers.

In the drawings, the broken lines in FIG. 6 depict portions of the article that form no part of the claim.

1 Claim, 7 Drawing Sheets



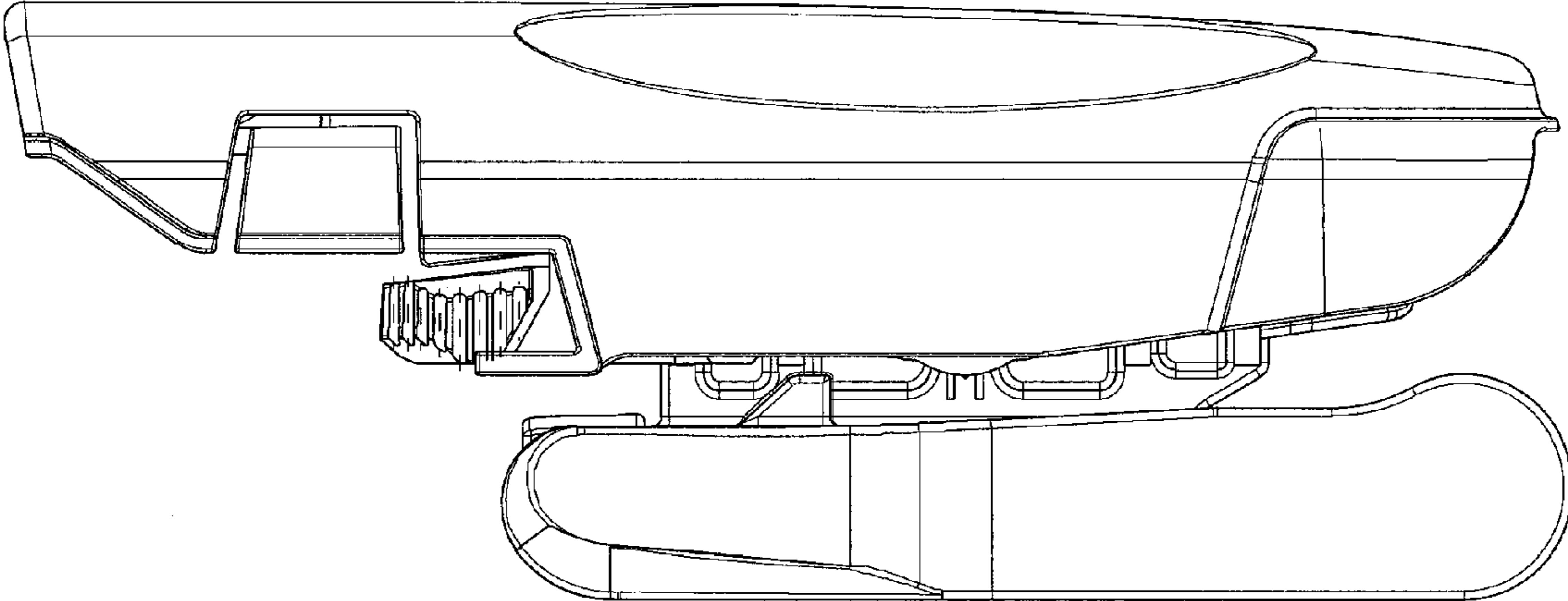


FIG. 1

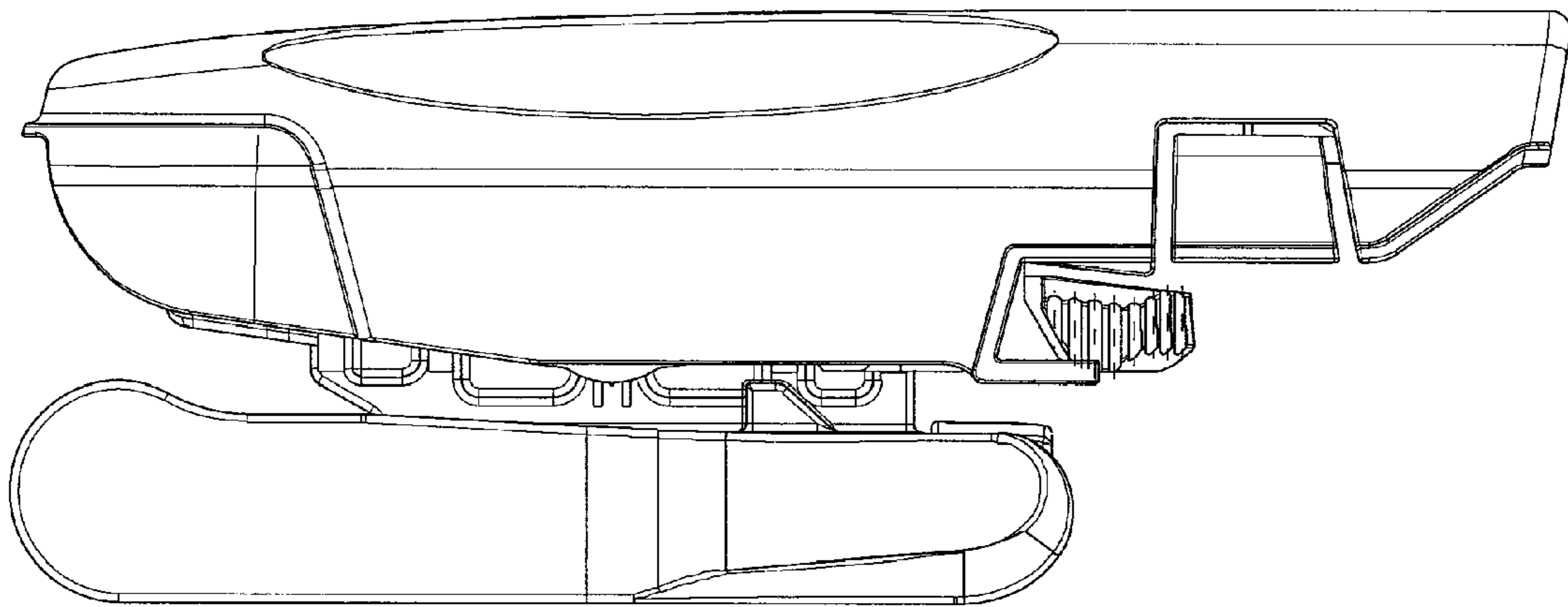


FIG. 2

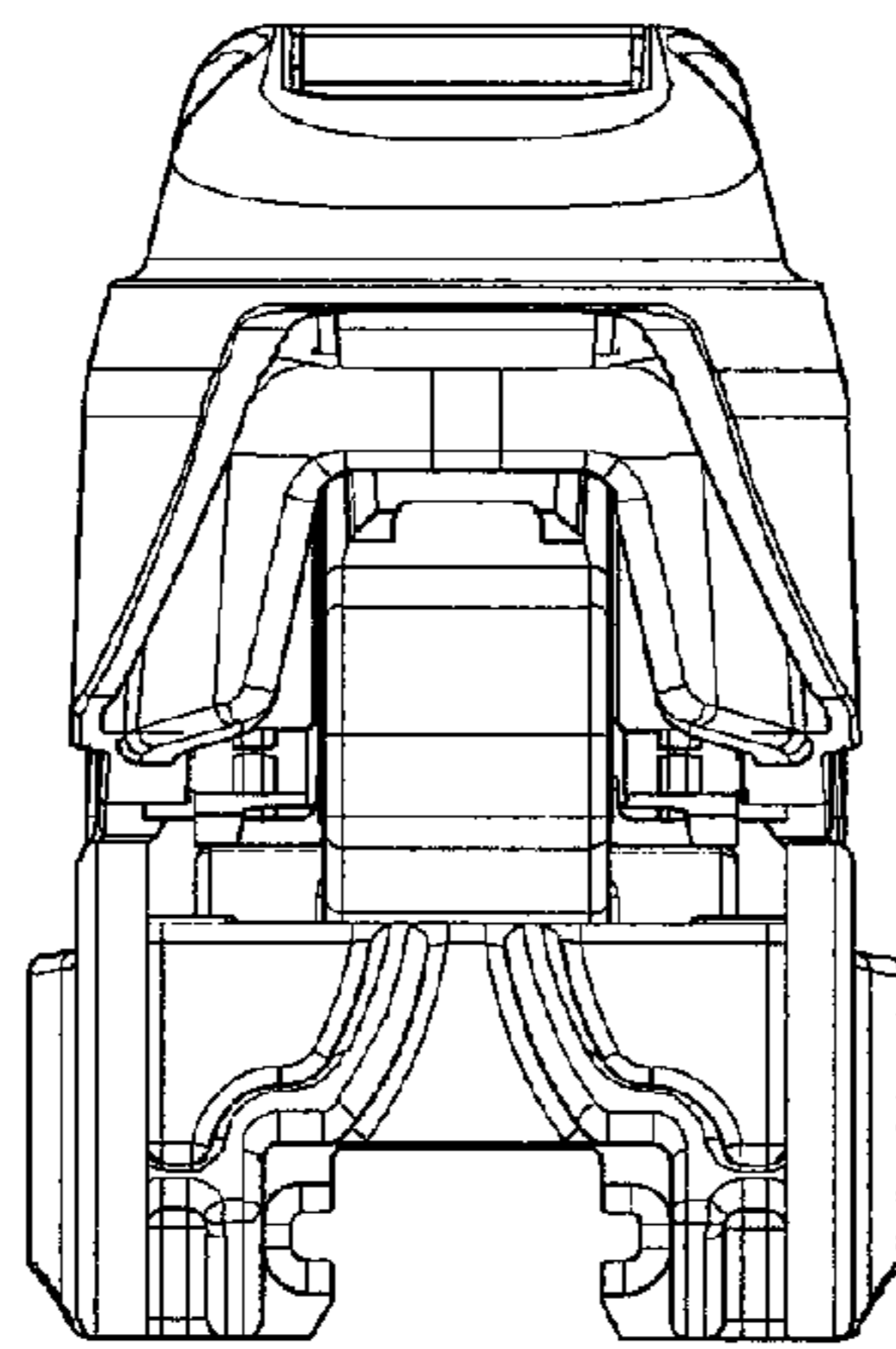


FIG. 3

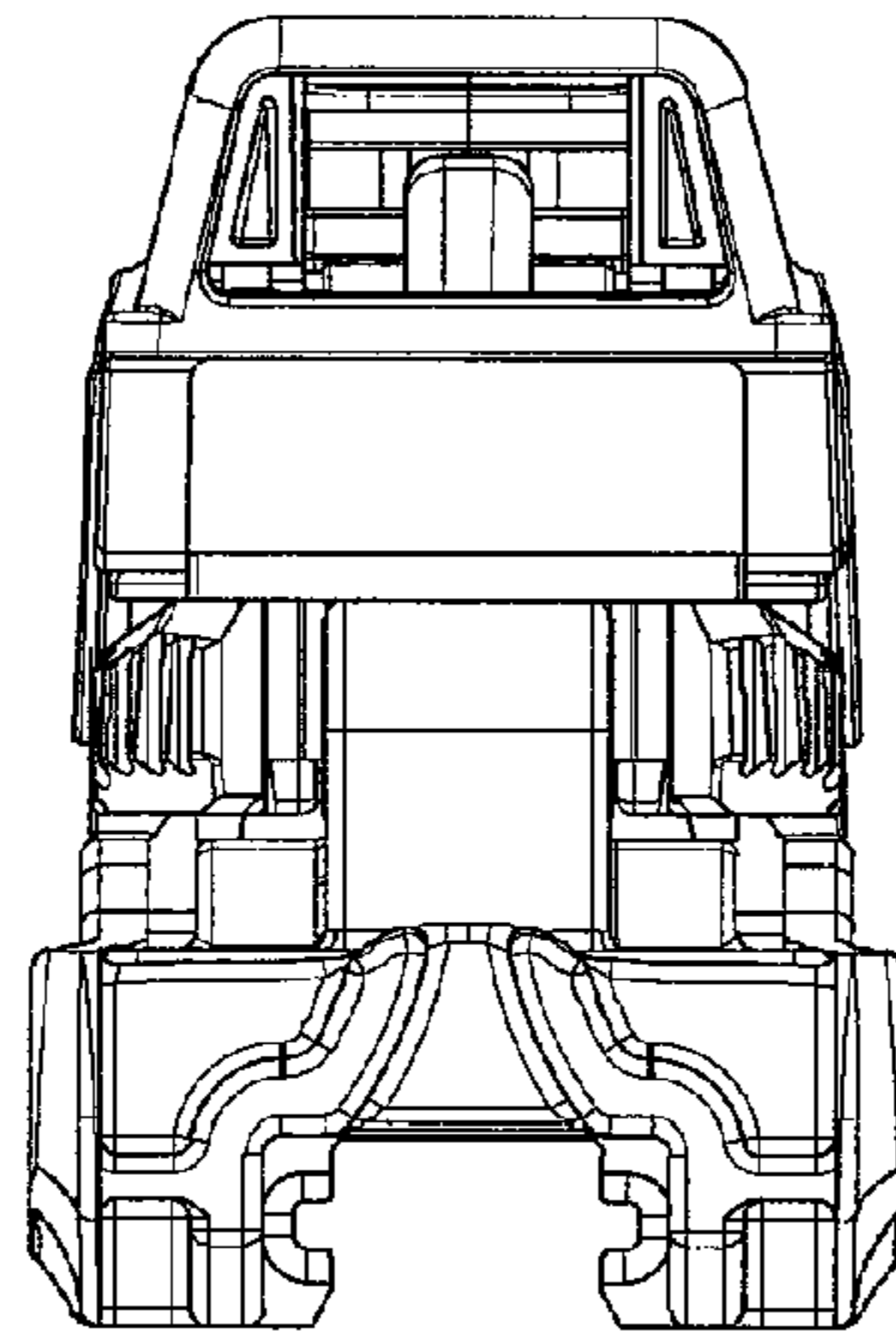


FIG. 4

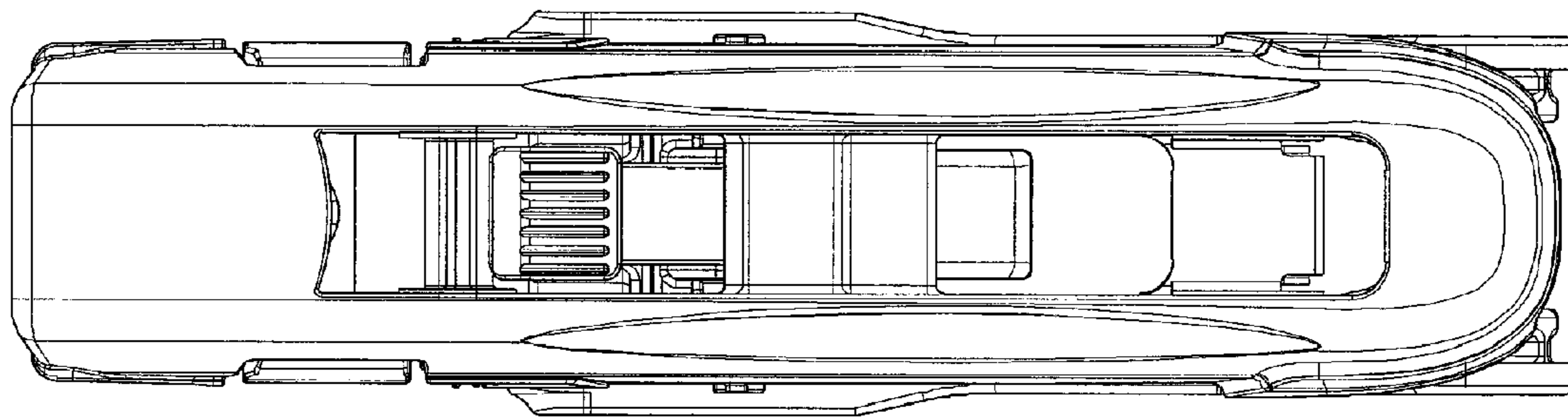


FIG. 5

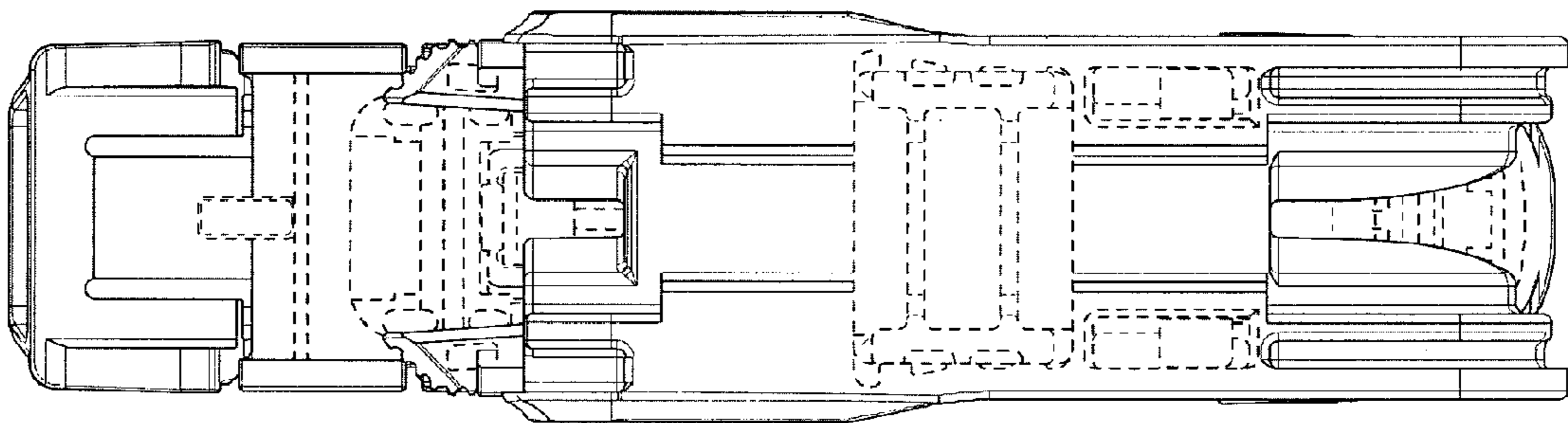


FIG. 6

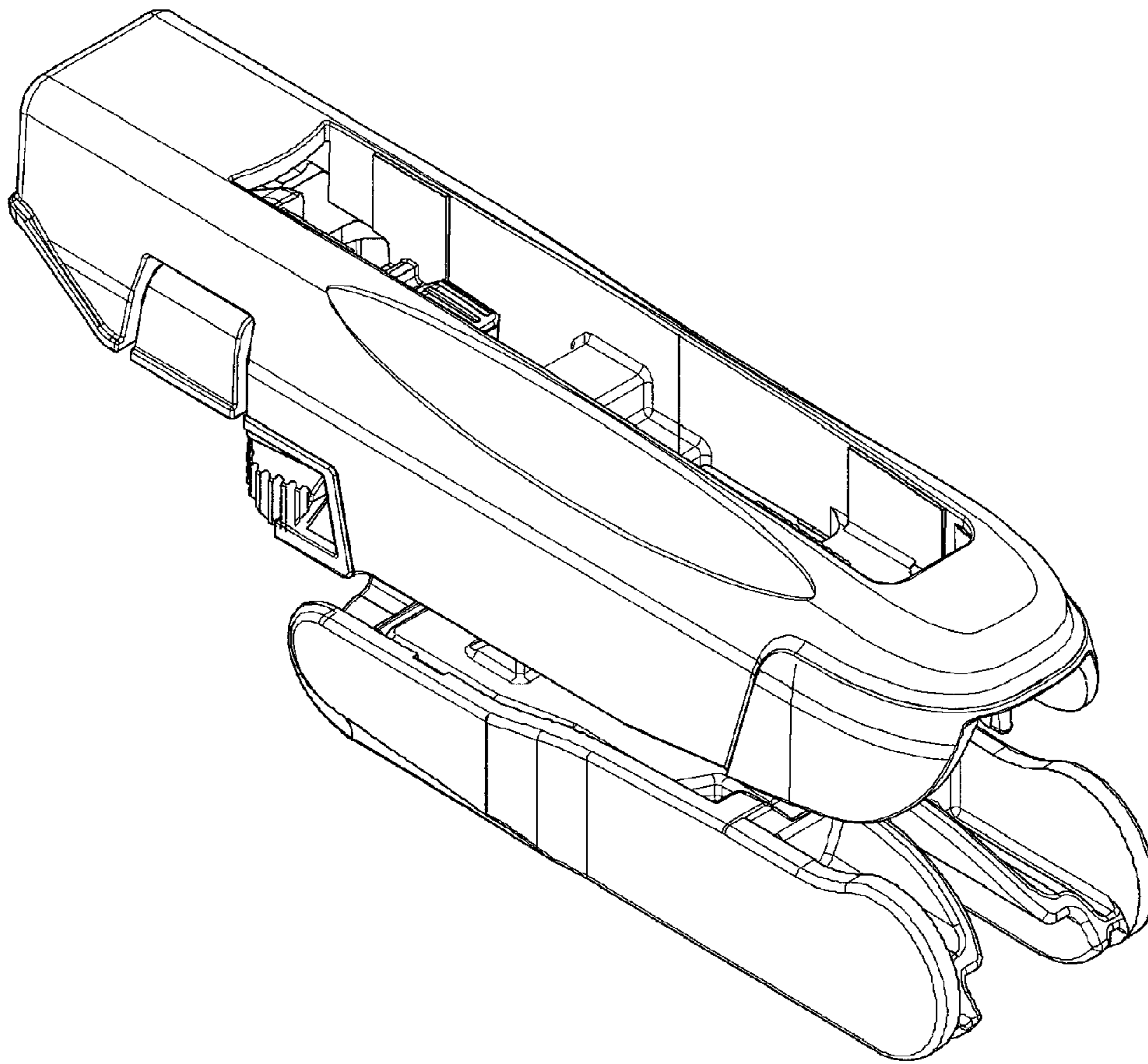


FIG. 7

UNITED STATES PATENT AND TRADEMARK OFFICE
CERTIFICATE OF CORRECTION

PATENT NO. : D665,715 S
APPLICATION NO. : 29/400714
DATED : August 21, 2012
INVENTOR(S) : Stéphane Houssat et al.

Page 1 of 1

It is certified that error appears in the above-identified patent and that said Letters Patent is hereby corrected as shown below:

On title page, add item (30) Foreign Application Priority Data as shown below:

--European Community Design Patent Application No. 001877572-0005, filed
June 14, 2011--

Signed and Sealed this
Twenty-third Day of October, 2012

A handwritten signature in black ink that reads "David J. Kappos". The signature is written in a cursive style with a large initial "D" and "K".

David J. Kappos
Director of the United States Patent and Trademark Office