



US00D665710S

(12) **United States Design Patent**
Matsuno et al.

(10) **Patent No.:** **US D665,710 S**

(45) **Date of Patent:** **** Aug. 21, 2012**

(54) **FRONT GRILL FOR AN AUTOMOBILE**

D631,801 S 2/2011 Sperling et al.
D636,302 S * 4/2011 Kido et al. D12/163
D645,796 S * 9/2011 Osawa D12/163

(75) Inventors: **Keisuke Matsuno**, Kariya (JP); **Eiji Sakaba**, Kariya (JP)

(73) Assignee: **Toyota Jidosha Kabushiki Kaisha**, Toyota-shi (JP)

(**) Term: **14 Years**

(21) Appl. No.: **29/413,888**

(22) Filed: **Feb. 22, 2012**

OTHER PUBLICATIONS

Toyota SAI; <http://www.auto-news.it>; mfg: Toyota; 2009.
Subaru Legacy; <http://www.netcarshow.com/subaru/>; mfg: Subaru; 2009.

* cited by examiner

Primary Examiner — Melody N Brown

(74) *Attorney, Agent, or Firm* — Finnegan, Henderson, Farabow, Garrett & Dunner, LLP

Related U.S. Application Data

(62) Division of application No. 29/388,648, filed on Mar. 31, 2011, now Pat. No. Des. 659,600.

(51) **LOC (9) Cl.** **12-16**

(52) **U.S. Cl.** **D12/163**

(58) **Field of Classification Search** D12/163,
D12/196, 171, 169, 216, 90-92, 86; 180/68.1,
180/68.6; 296/193.11

See application file for complete search history.

(56) **References Cited**

U.S. PATENT DOCUMENTS

D475,329 S 6/2003 Okumoto et al.
D616,341 S 5/2010 Fukui et al.

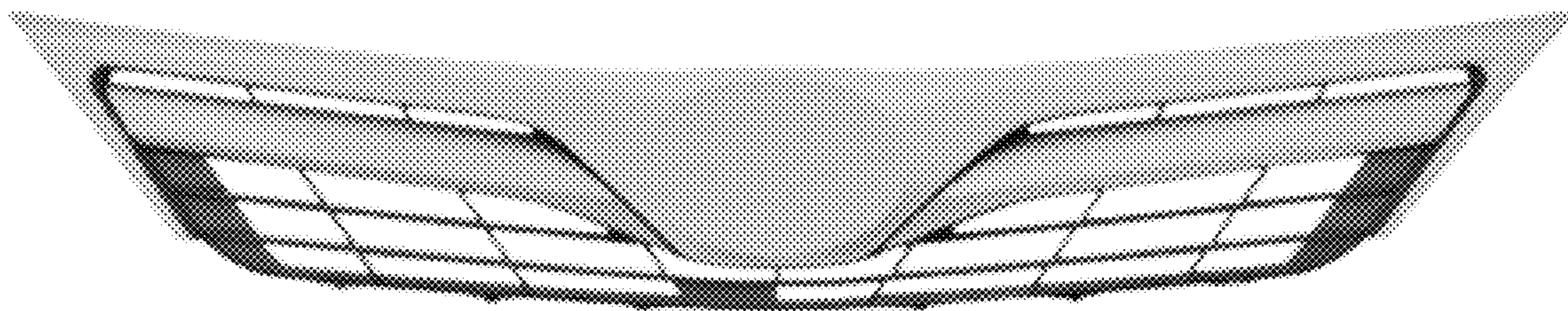
(57) **CLAIM**

The ornamental design for a front grill for an automobile.

DESCRIPTION

FIG. 1 is a front perspective view of a front grill for an automobile of our new design;
FIG. 2 is a front view thereof;
FIG. 3 is a top plan view thereof;
FIG. 4 is a bottom view thereof;
FIG. 5 is a right side view thereof; and,
FIG. 6 is a left side view thereof.

1 Claim, 3 Drawing Sheets



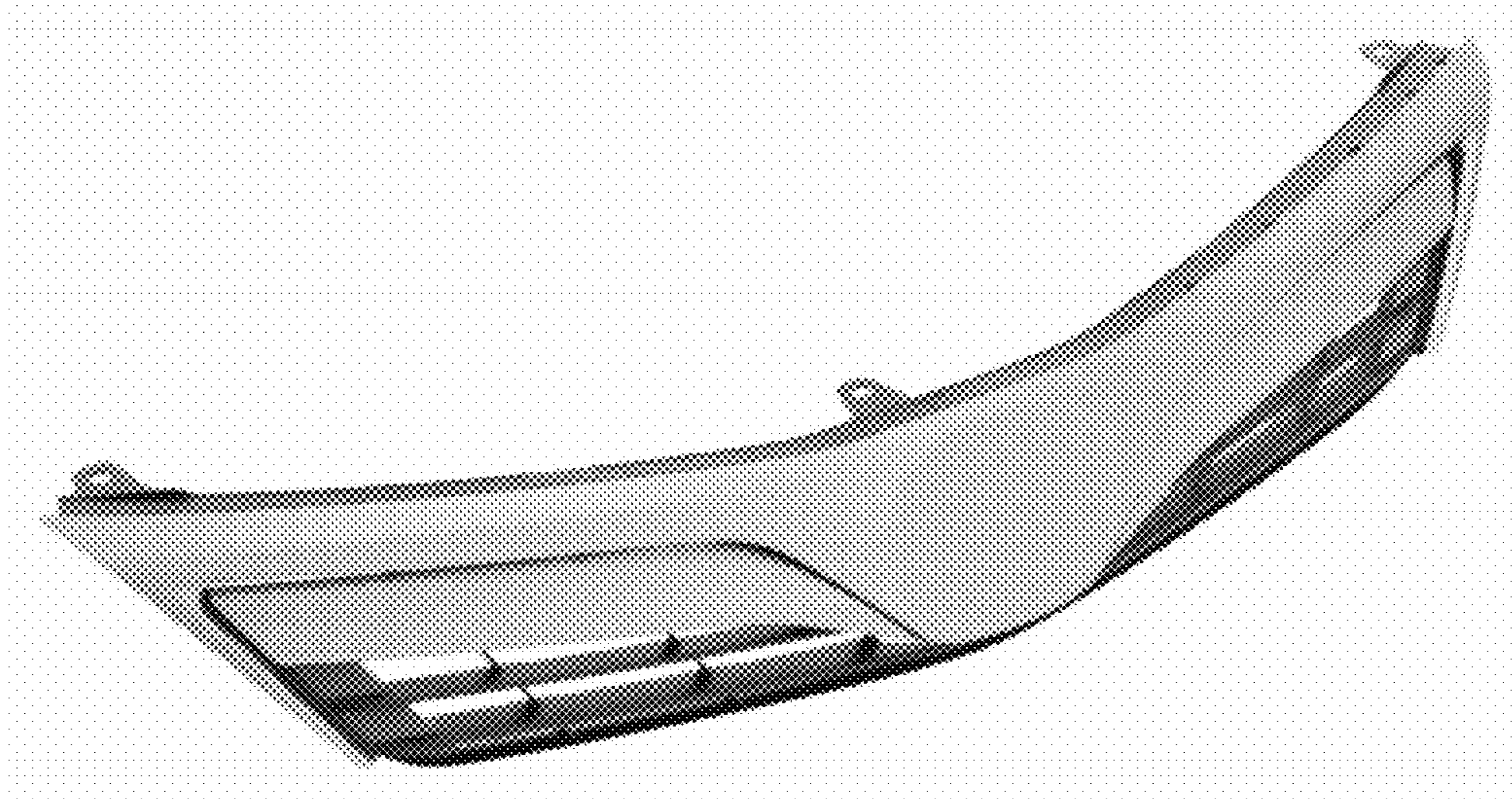


FIG. 1

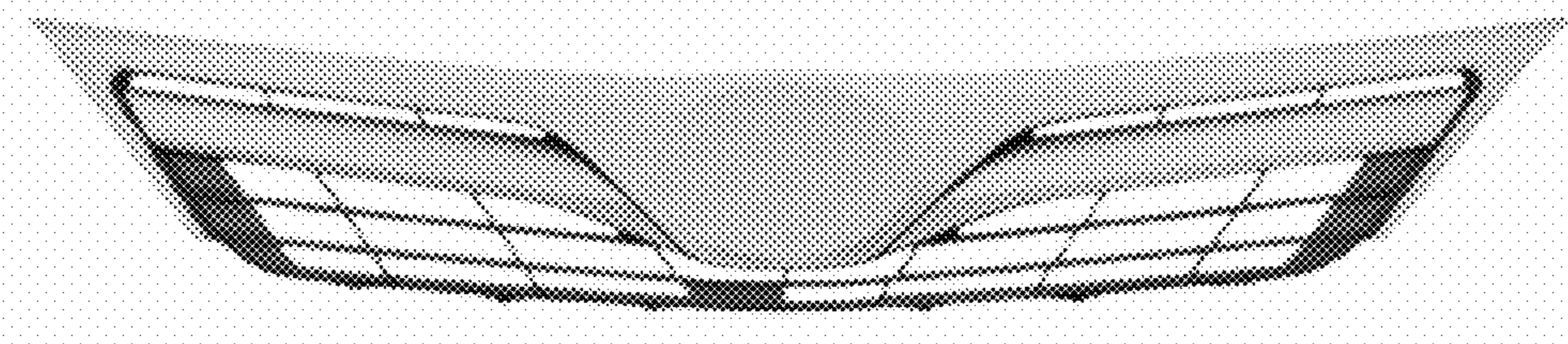


FIG. 2

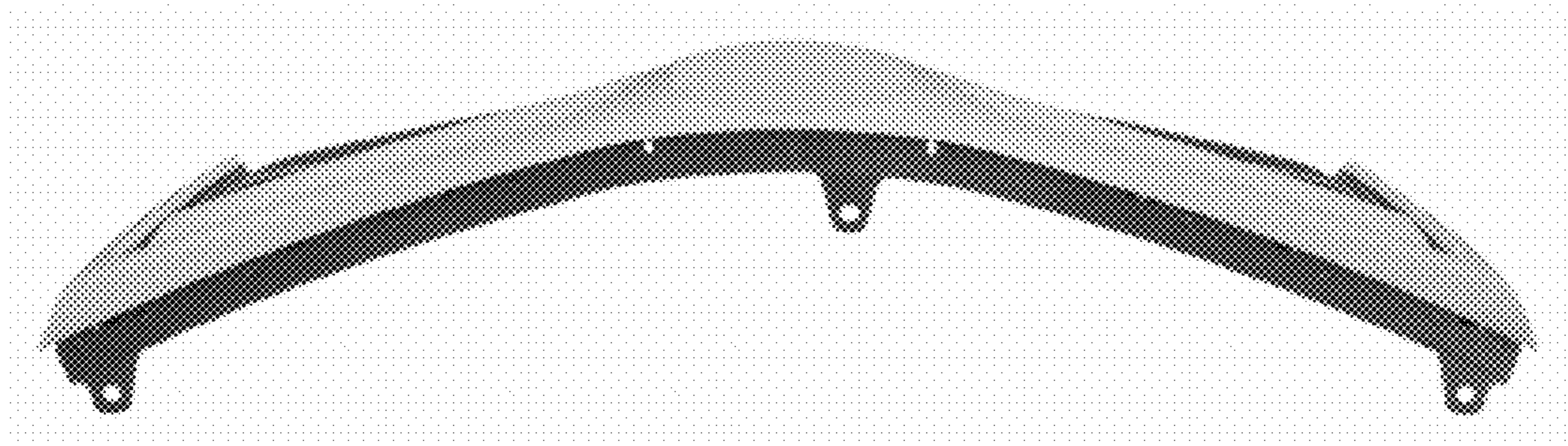


FIG. 3

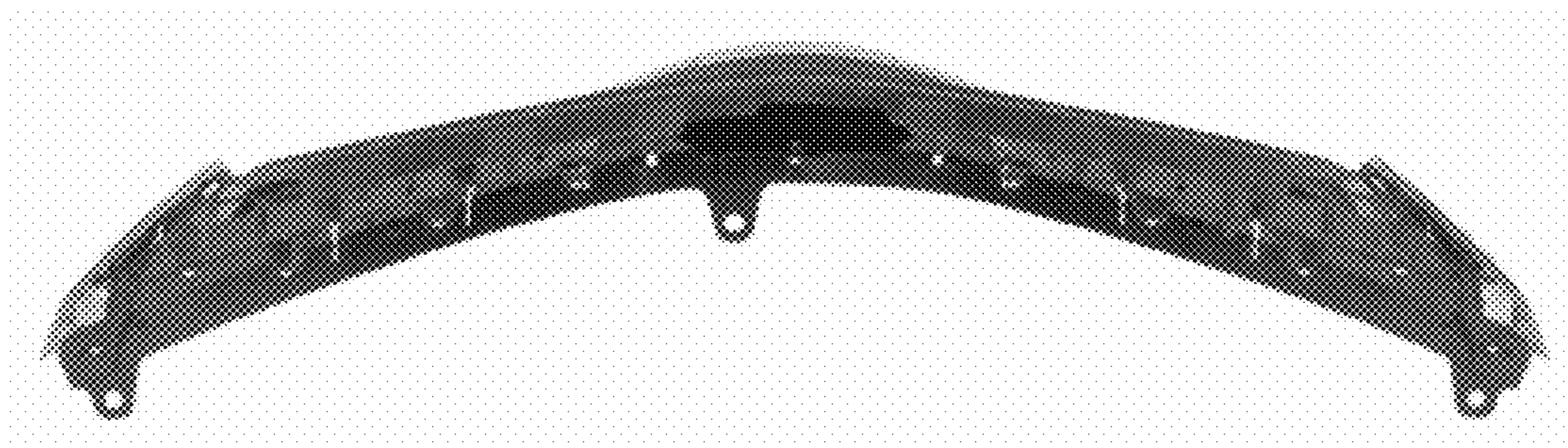


FIG. 4

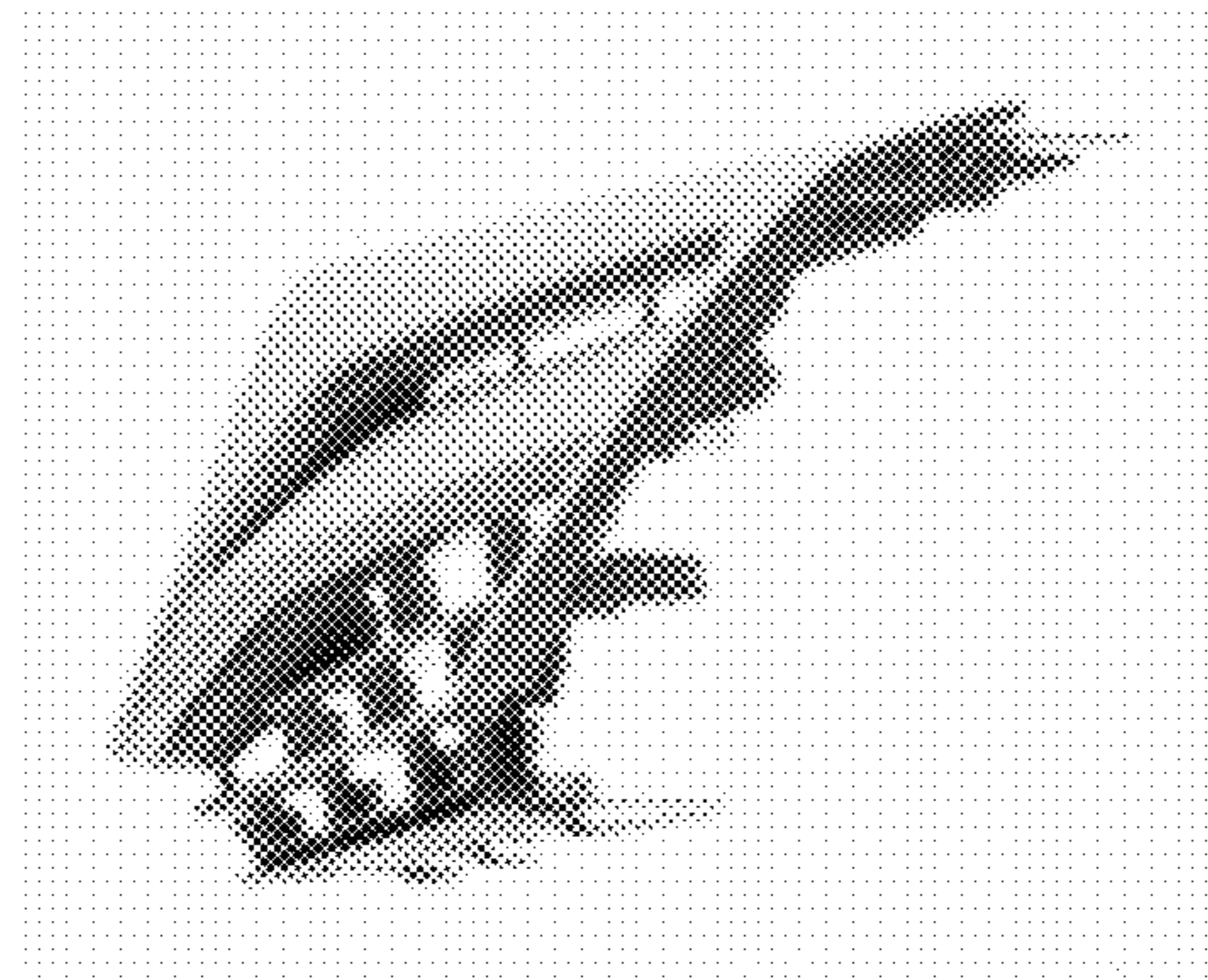


FIG. 5

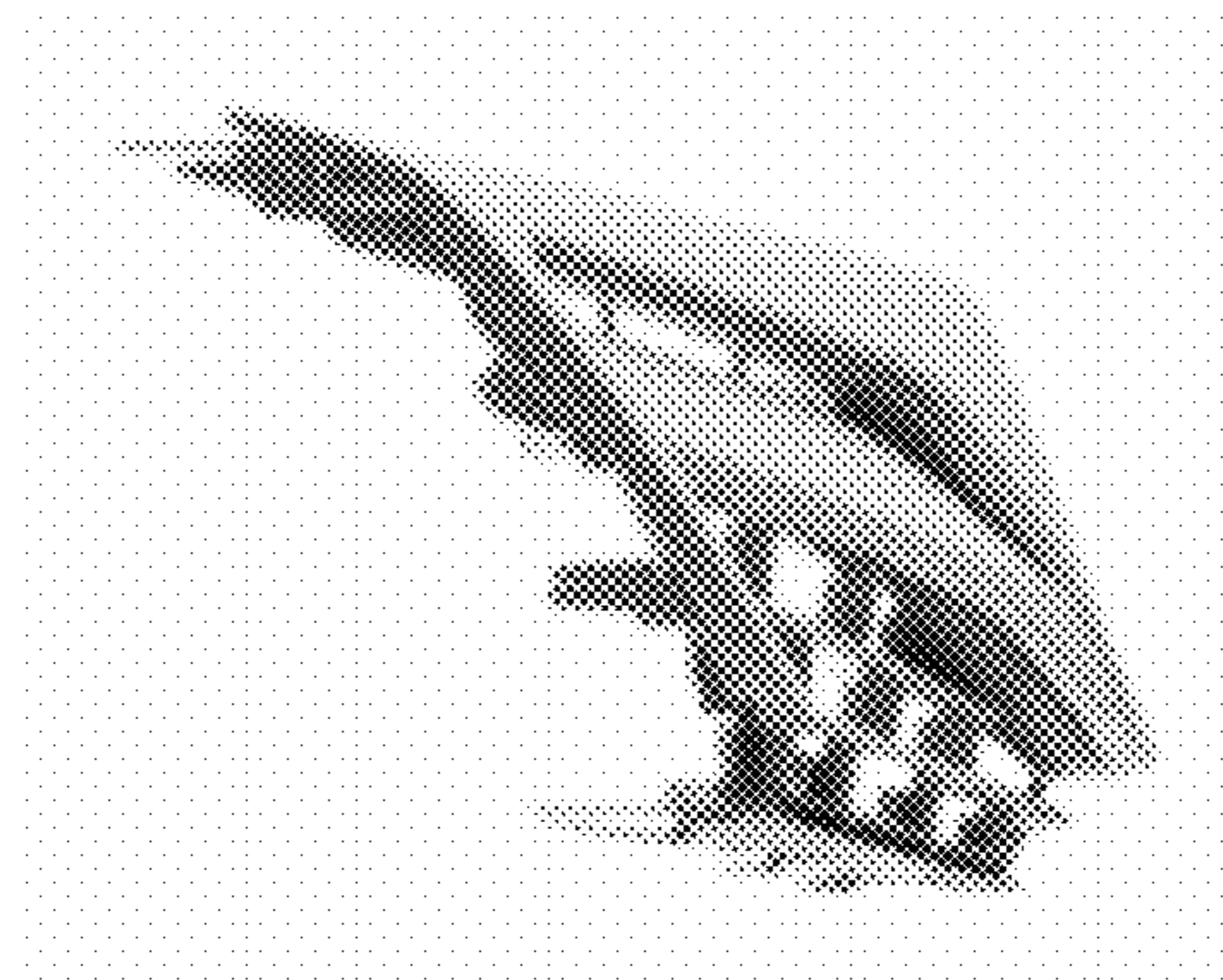


FIG. 6