



US00D665706S

(12) **United States Design Patent**
Oyanagi et al.

(10) **Patent No.:** **US D665,706 S**

(45) **Date of Patent:** **** Aug. 21, 2012**

(54) **MOTORCYCLE**

(75) Inventors: **Juichi Oyanagi**, Kobe (JP); **Takumi Uemoto**, Kobe (JP); **Norikazu Matsumura**, Akashi (JP)

(73) Assignee: **Kawasaki Jukogyo Kabushiki Kaisha**, Hyogo (JP)

(**) Term: **14 Years**

(21) Appl. No.: **29/392,357**

(22) Filed: **May 19, 2011**

(51) **LOC (9) Cl.** **12-11**

(52) **U.S. Cl.** **D12/110**

(58) **Field of Classification Search** D12/110;
180/219, 220, 225, 229

See application file for complete search history.

(56) **References Cited**

U.S. PATENT DOCUMENTS

D384,601 S	*	10/1997	Hiruma et al.	D12/110
D385,226 S	*	10/1997	Mogi et al.	D12/110
D387,017 S	*	12/1997	Wakita et al.	D12/110
D419,922 S	*	2/2000	Yamase et al.	D12/110

D513,481 S	*	1/2006	Lin	D12/110
D583,714 S	*	12/2008	Ichihara et al.	D12/110
D609,610 S	*	2/2010	Inose	D12/110
D621,301 S	*	8/2010	Hayashi et al.	D12/110
D632,226 S	*	2/2011	Miyata	D12/110

* cited by examiner

Primary Examiner — Philip S Hyder

Assistant Examiner — Linda G. Brooks

(57) **CLAIM**

The ornamental design for a motorcycle, as shown and described.

DESCRIPTION

FIG. 1 is a front elevational view of a motorcycle showing our new design;

FIG. 2 is a rear elevational view thereof;

FIG. 3 is a left side elevational view thereof;

FIG. 4 is a right side elevational view thereof;

FIG. 5 is a top plan view thereof;

FIG. 6 is a bottom plan view thereof;

FIG. 7 is a front left perspective view thereof; and,

FIG. 8 is a rear right perspective view thereof.

1 Claim, 8 Drawing Sheets

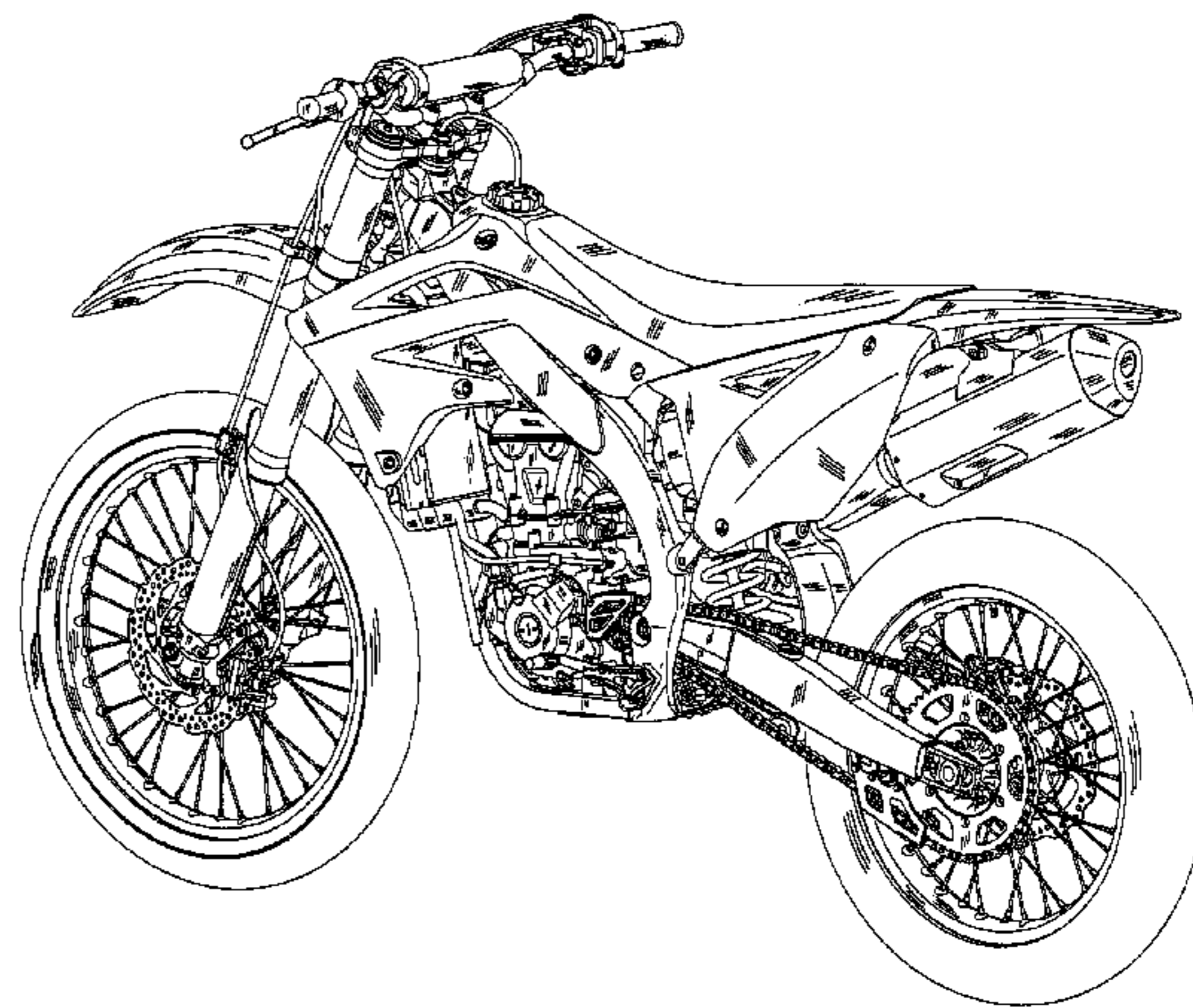
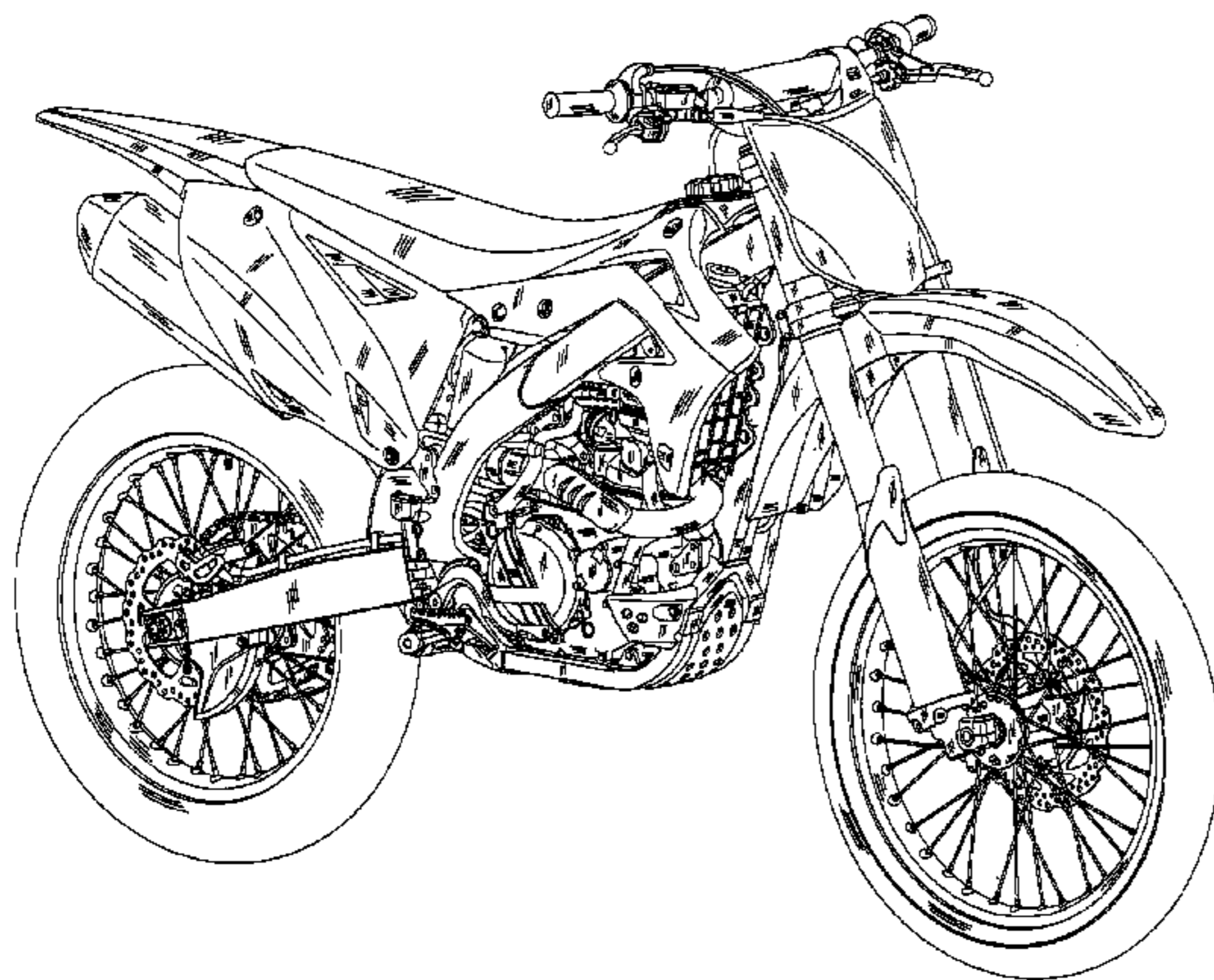


Fig. 1

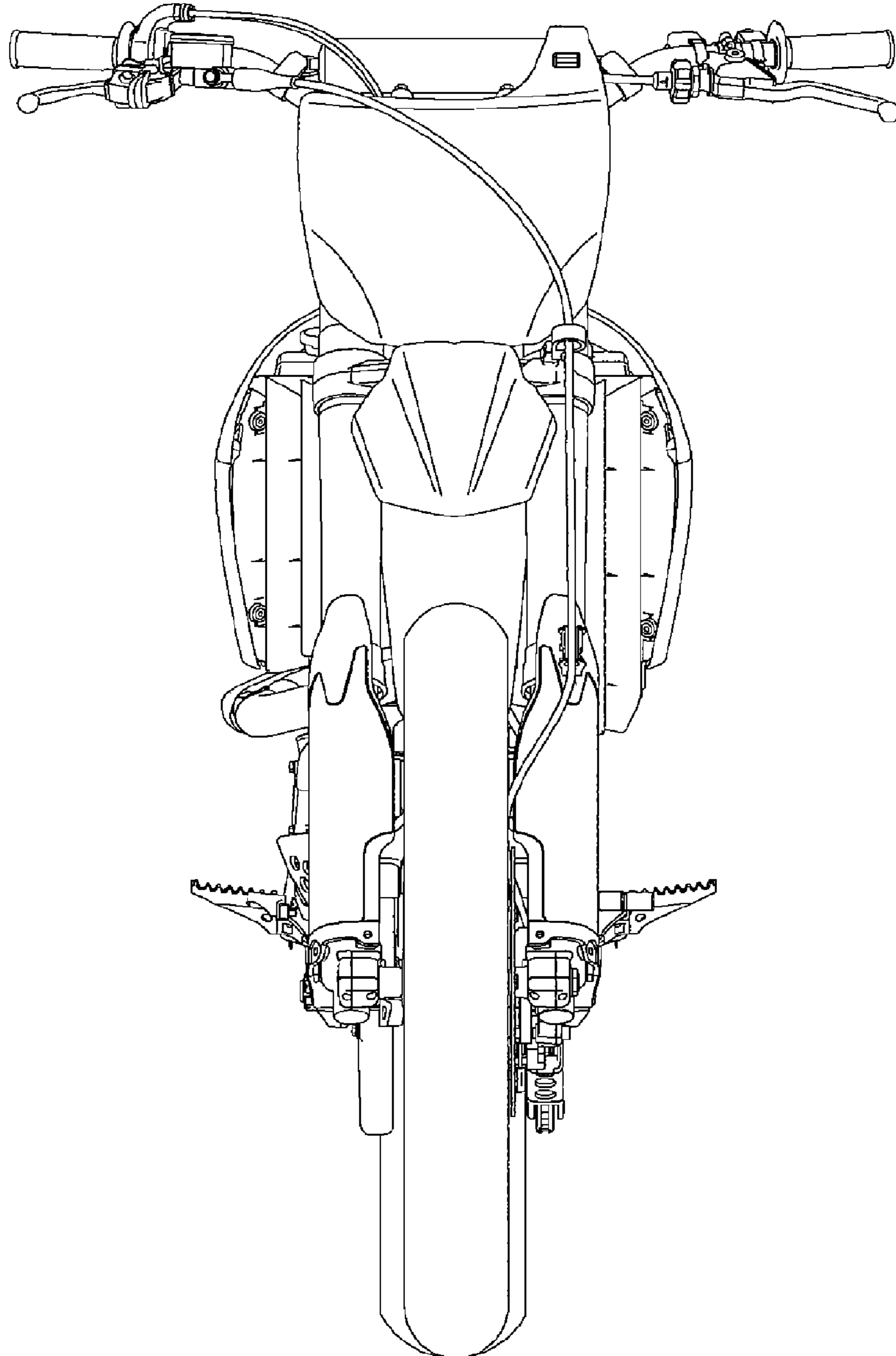
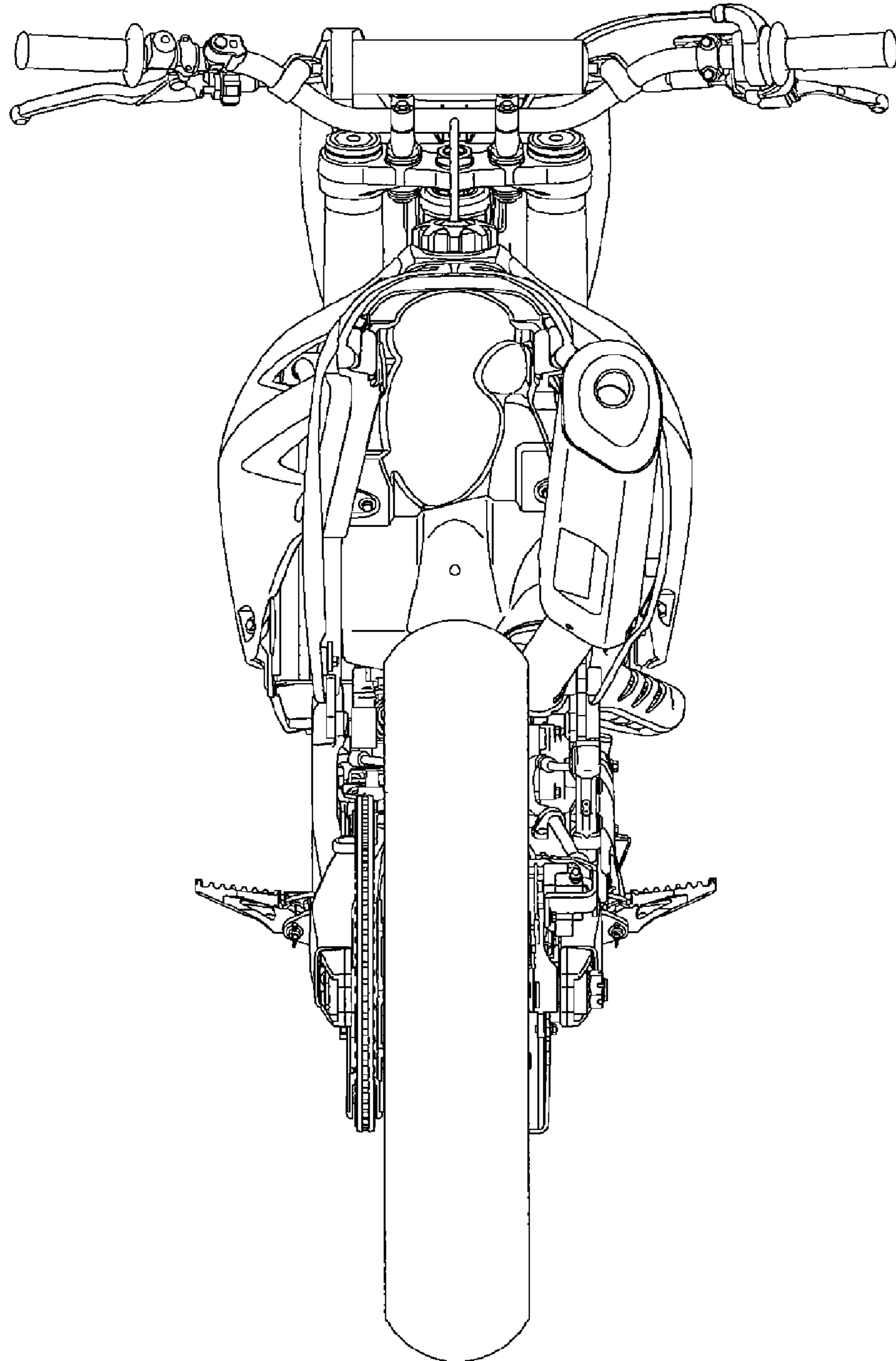


Fig. 2



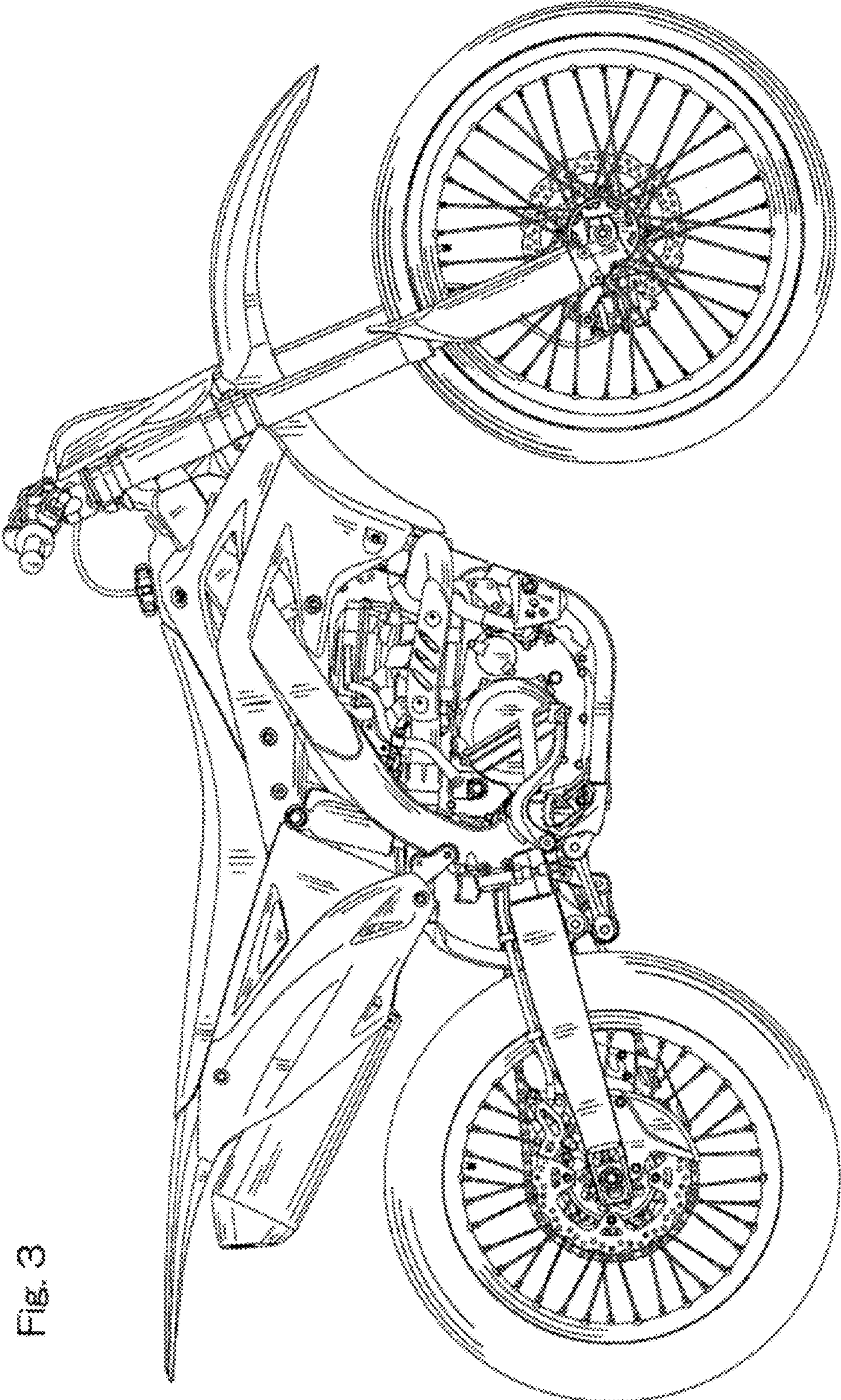


Fig. 3

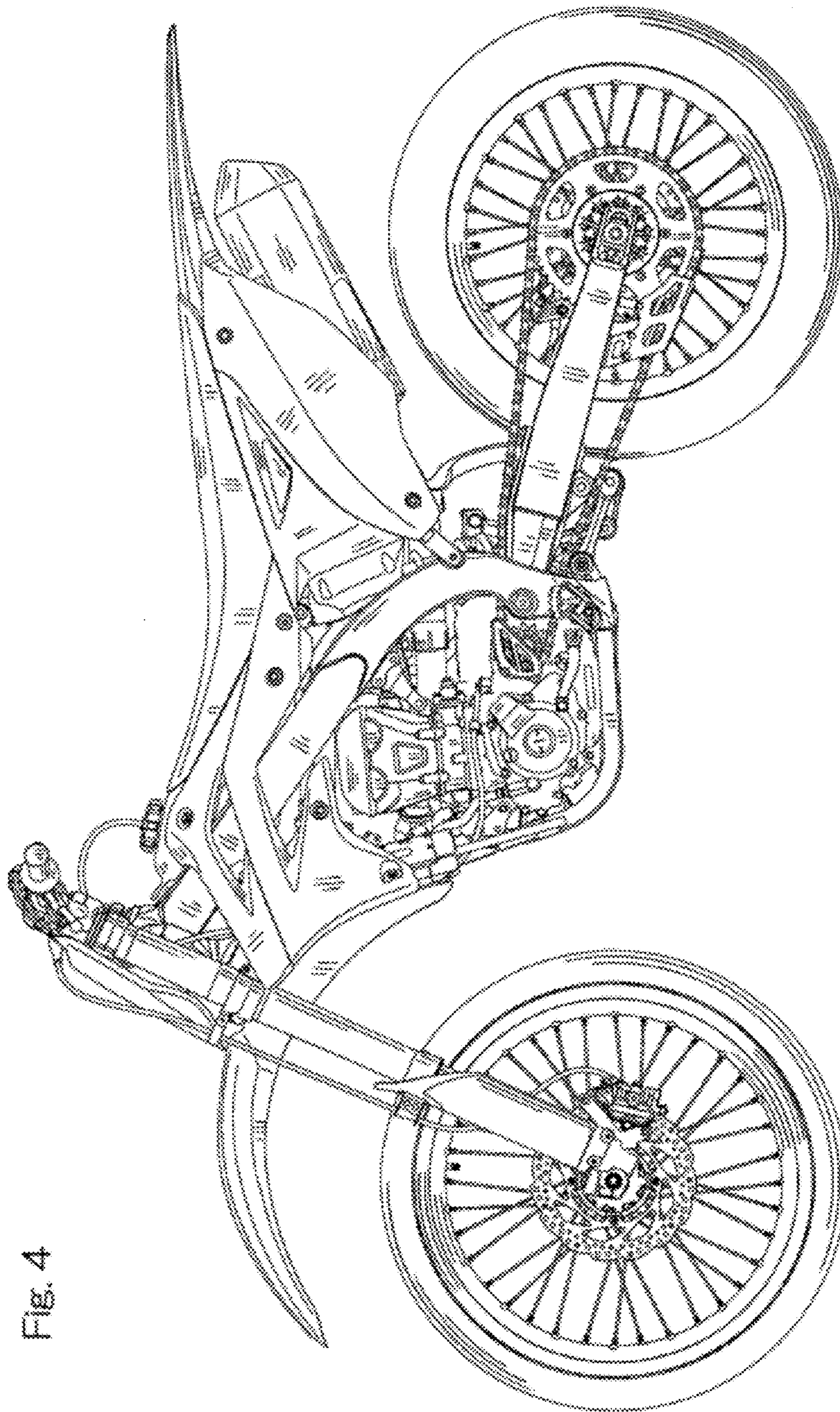


Fig. 4

Fig. 5

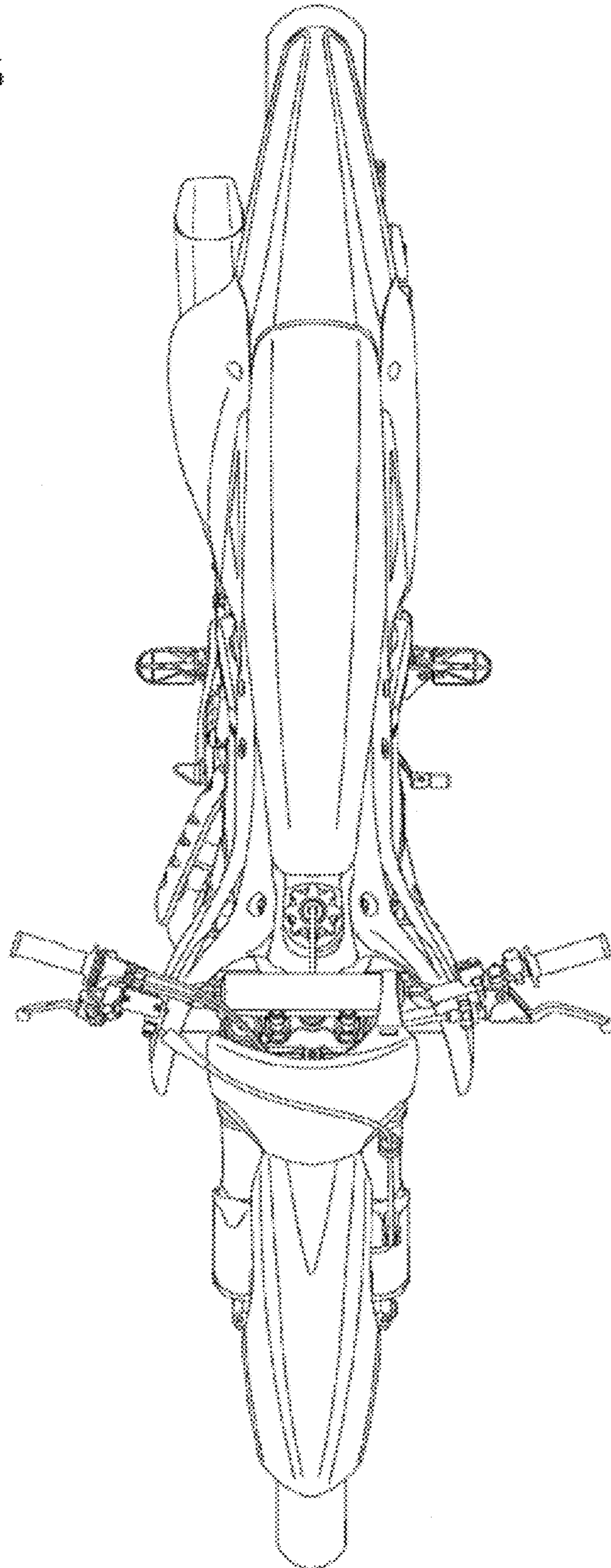
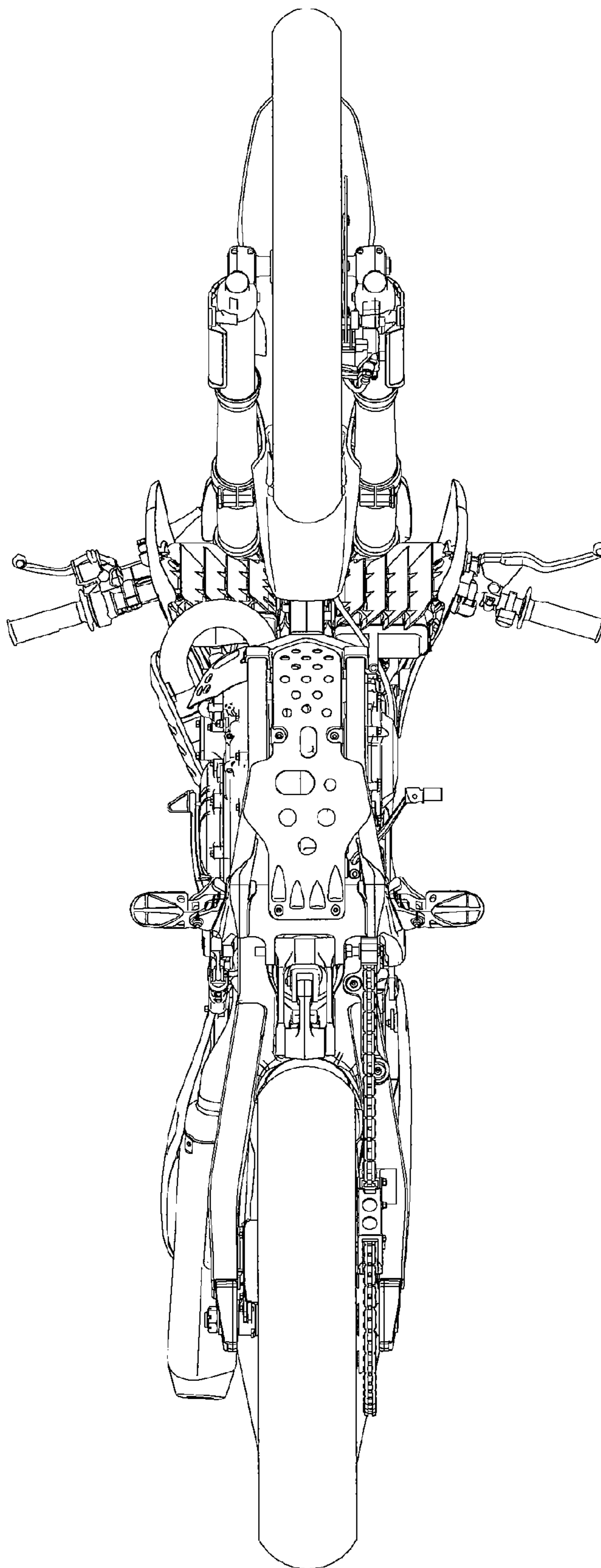


Fig. 6



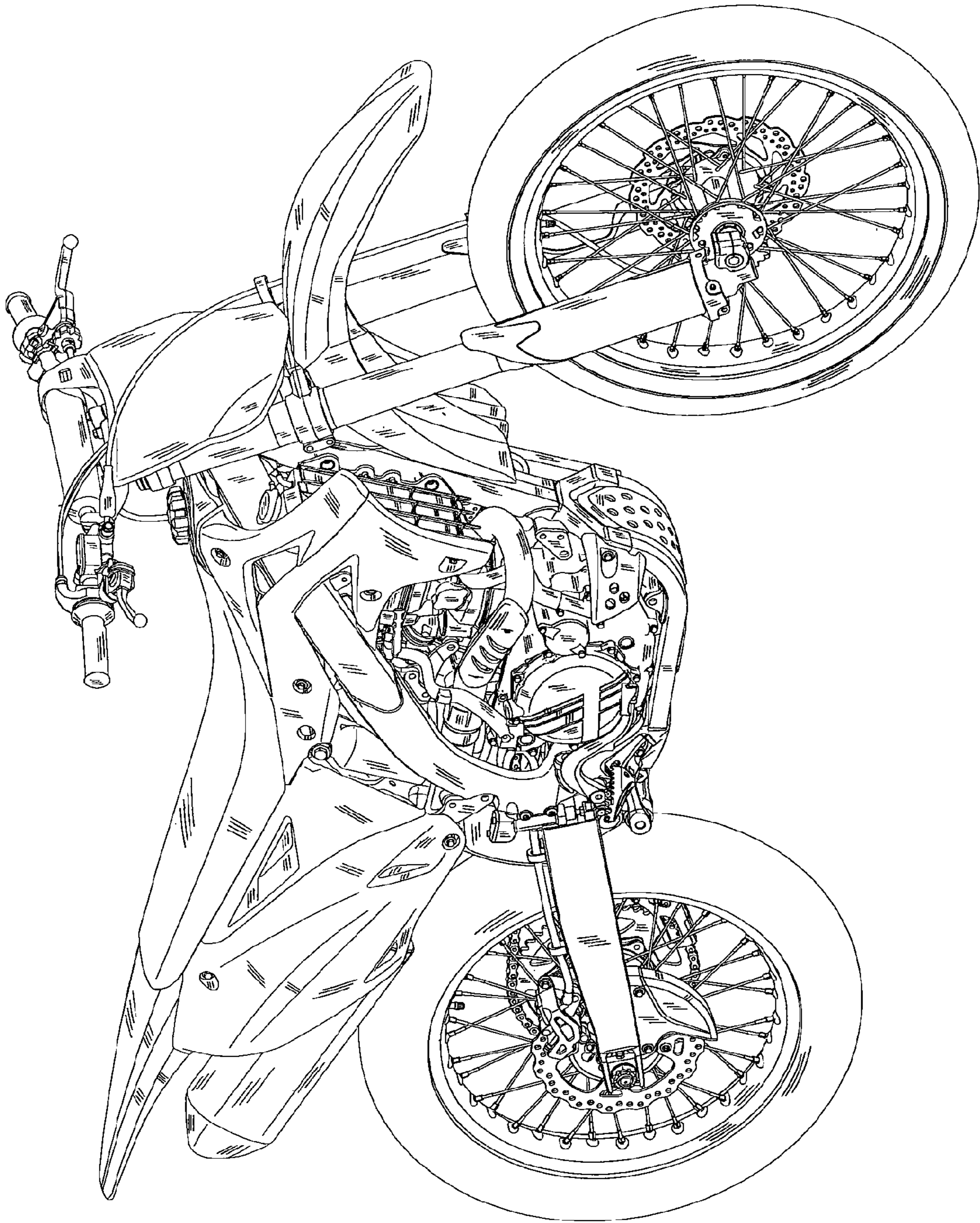


Fig. 7

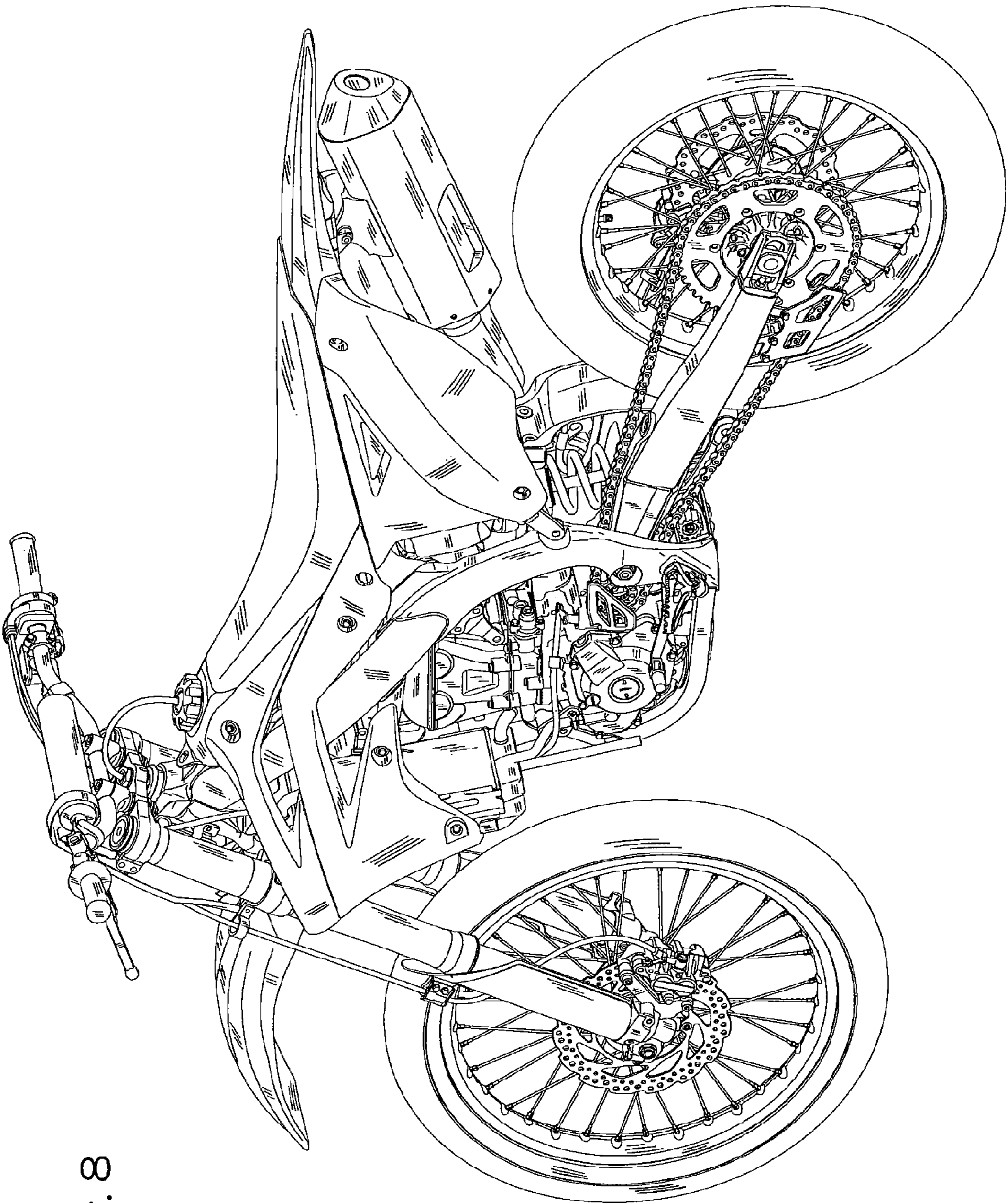


Fig. 8