



US00D665702S

(12) **United States Design Patent**
Ross et al.

(10) **Patent No.:** **US D665,702 S**

(45) **Date of Patent:** **** Aug. 21, 2012**

(54) **SULKY WHEEL CONNECTOR**

(76) Inventors: **Beverly W. Ross**, Rochester, MI (US);
Gary Helzerman, Stockbridge, MI (US)

(**) Term: **14 Years**

(21) Appl. No.: **29/405,470**

(22) Filed: **Nov. 2, 2011**

(51) **LOC (9) Cl.** **12-01**

(52) **U.S. Cl.** **D12/20**

(58) **Field of Classification Search** D12/17-20,
D12/111, 107, 112, 114, 118; 280/63, 64,
280/66, 69

See application file for complete search history.

(56) **References Cited**

U.S. PATENT DOCUMENTS

D35,567	S *	1/1902	Dredge et al.	D12/20
3,907,325	A	9/1975	Gaines et al.		
4,078,829	A	3/1978	Davis		
4,095,815	A	6/1978	Mitchell		
4,313,611	A	2/1982	Heinze, Jr. et al.		
D276,902	S *	12/1984	Plugge	D12/19
D297,720	S *	9/1988	Fragione, Jr.	D12/19
5,183,279	A *	2/1993	Acerno et al.	280/63
5,348,328	A *	9/1994	Millington	280/63

5,857,686	A	1/1999	Millington		
D427,945	S *	7/2000	Kirkpatrick	D12/112
6,247,711	B1 *	6/2001	Saraydar	280/64
6,354,613	B1 *	3/2002	Stein et al.	280/63
7,059,626	B2 *	6/2006	Koch	280/656
7,578,510	B2	8/2009	Ross et al.		
2005/0212240	A1	9/2005	Harmer et al.		
2011/0233883	A1	9/2011	Watson		

FOREIGN PATENT DOCUMENTS

WO 199319969 10/1993

* cited by examiner

Primary Examiner — T. Chase Nelson

Assistant Examiner — Ania Aman

(74) *Attorney, Agent, or Firm* — Howard & Howard
Attorneys PLLC

(57) **CLAIM**

An ornamental design for a sulky wheel connector, as shown and described.

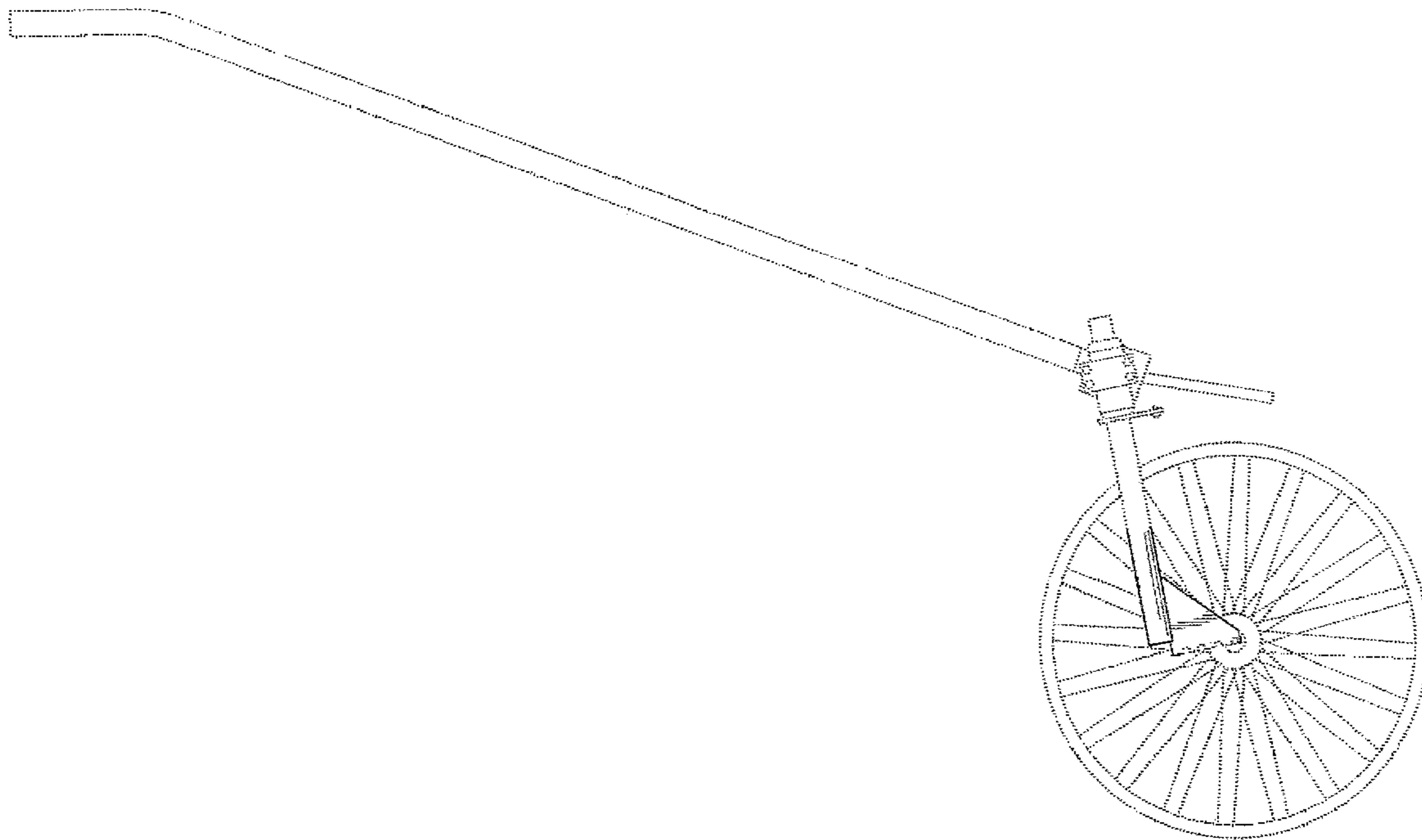
DESCRIPTION

FIG. 1 is a side elevation view of a sulky wheel connector showing our new design; and,

FIG. 2 is a top view of the sulky shown in FIG. 1.

In the drawings, the broken lines depict unclaimed subject matter only and form no part of the claimed design.

1 Claim, 2 Drawing Sheets



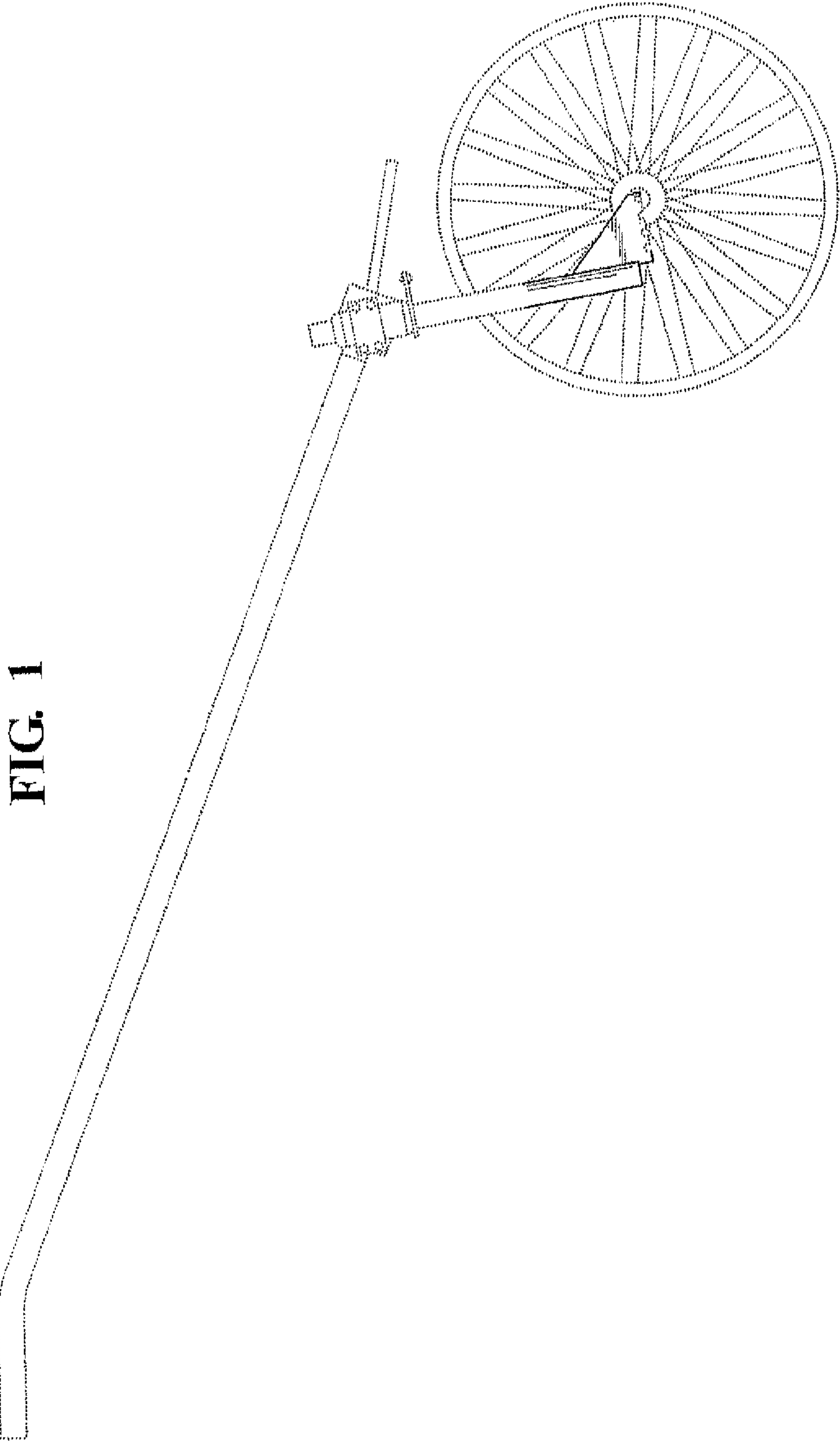


FIG. 1

FIG. 2

