



US00D665701S

(12) **United States Design Patent**  
**Dunn**

(10) **Patent No.:** **US D665,701 S**

(45) **Date of Patent:** **\*\* Aug. 21, 2012**

(54) **CROSS DISPLAY HOLDER FOR A CORD**

3,228,640 A 1/1966 Walsh

3,322,381 A 5/1967 Bubb

3,519,731 A 7/1970 Grunbaum

(Continued)

(76) Inventor: **Scott Eben Dunn**, Atlanta, GA (US)

(\*\*) Term: **14 Years**

FOREIGN PATENT DOCUMENTS

(21) Appl. No.: **29/411,285**

WO WO-2010132567 A1 11/2010

(22) Filed: **Jan. 19, 2012**

OTHER PUBLICATIONS

(51) **LOC (9) Cl.** ..... **11-02**

U.S. Appl. No. 61/439,606, Dunn.

(52) **U.S. Cl.** ..... **D11/184**

(Continued)

(58) **Field of Classification Search** ..... D11/184;

D8/105, 107, 333, 349, 354, 356, 358, 367,

D8/373, 382, 383, 394-396; D23/261; D26/38;

24/197, 561; 174/153 G; 242/400.1, 405.1,

242/405.2, 600, 916; 248/65, 74.1-74.4,

248/214, 215, 229.26, 201, 302, 204, 316.7,

248/316.8; 439/501; D34/38; 108/57.52

See application file for complete search history.

*Primary Examiner* — T. Chase Nelson

*Assistant Examiner* — Michelle E Wilson

(74) *Attorney, Agent, or Firm* — Ballard Spahr LLP

(57)

**CLAIM**

The ornamental design for a cross display holder for a cord, as shown and described.

(56) **References Cited**

U.S. PATENT DOCUMENTS

168,063 A	5/1875	Tatloe	
807,747 A	12/1905	Kling	
1,195,276 A *	8/1916	Seaman	40/584
1,337,722 A	4/1920	Porter	
1,388,219 A *	8/1921	Thompson	40/1.5
D67,289 S *	5/1925	Ladewich	D99/23
1,593,078 A	7/1926	Jacoss	
1,832,318 A *	11/1931	Myers	40/334
2,083,431 A	6/1937	Cole	
D133,983 S *	10/1942	Cruise	D11/157
D137,768 S	4/1944	Shirley	
2,355,154 A *	8/1944	Goudreau	428/3
D156,622 S	12/1949	Harmon	
2,601,088 A	6/1952	Burgess	
D167,185 S	7/1952	Wendt	
2,611,615 A	9/1952	Watson	
2,616,196 A	11/1952	Sandahl	
2,786,983 A	3/1957	Hill	
3,203,700 A *	8/1965	Antonious	473/257

**DESCRIPTION**

FIG. 1 is a perspective view of a cross display holder for a cord of the present invention;

FIG. 2 is a front elevational view of the cross display holder for a cord of FIG. 1;

FIG. 3 is a rear elevational view of the cross display holder for a cord of FIG. 1;

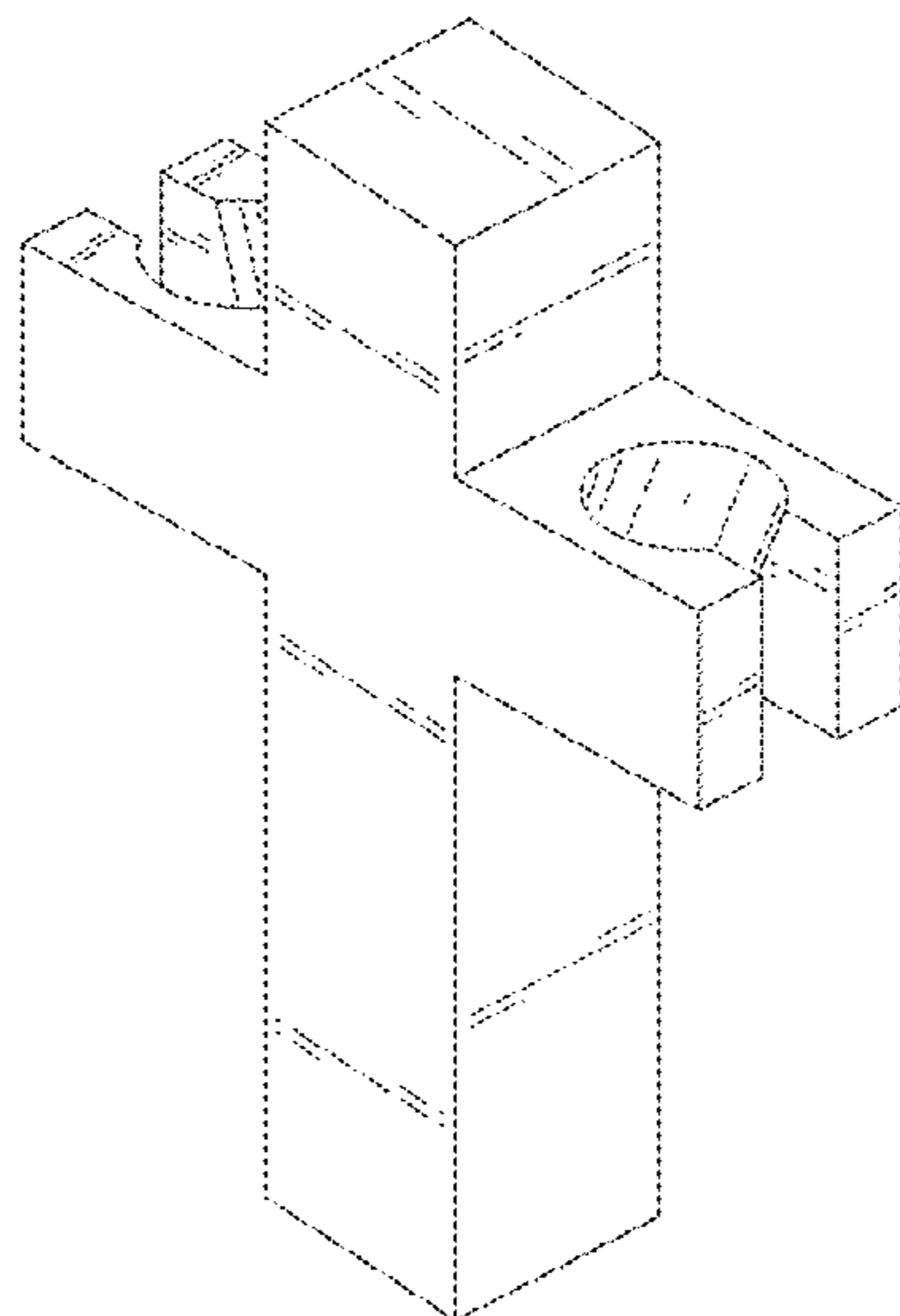
FIG. 4 is a left side elevational view of the cross display holder for a cord of FIG. 1;

FIG. 5 is a right side elevational view of the cross display holder for a cord of FIG. 1;

FIG. 6 is a top elevational view of the cross display holder for a cord of FIG. 1; and,

FIG. 7 is a bottom elevational view of the cross display holder for a cord of FIG. 1.

**1 Claim, 5 Drawing Sheets**



# US D665,701 S

## U.S. PATENT DOCUMENTS

3,576,304	A	4/1971	Gillemot et al.	6,120,565	A	9/2000	Dix et al.
3,696,920	A	10/1972	Lahay	D436,518	S	1/2001	Matsubara
3,766,854	A	10/1973	Scarlet	D438,624	S	3/2001	Reina
3,772,809	A *	11/1973	Schneller ..... 40/637	D438,788	S	3/2001	Rigel
3,788,269	A	1/1974	Scarlet	6,226,865	B1	5/2001	Tanikawa et al.
D235,023	S	4/1975	Swayze	D446,676	S	8/2001	Mayes
4,004,362	A *	1/1977	Barbieri ..... 40/316	D446,903	S	8/2001	Pavan
4,011,673	A *	3/1977	Levine ..... 40/641	6,269,573	B1	8/2001	Najmi
4,103,949	A	8/1978	Bouloy	D448,276	S	9/2001	Kelleghan
4,131,226	A	12/1978	Breiter et al.	6,301,756	B1 *	10/2001	Howard ..... 24/552
4,177,750	A	12/1979	Scarlet	D449,981	S	11/2001	Davis
4,198,202	A	4/1980	Kleber	D452,135	S	12/2001	Wyatt et al.
D256,398	S *	8/1980	Mitchell ..... D99/25	6,332,247	B1 *	12/2001	Hsieh ..... 24/11 R
4,261,121	A *	4/1981	Coon ..... 40/332	D454,244	S	3/2002	Scheff
4,294,895	A	10/1981	Atkins	D454,971	S	3/2002	Crosby
D266,054	S	9/1982	Goodman	D455,145	S	4/2002	Williams
4,398,444	A	8/1983	Walker	D456,016	S	4/2002	Denson
D270,525	S	9/1983	Bayusik	D456,389	S	4/2002	Denson
D275,174	S	8/1984	Rolli	D456,692	S	5/2002	Epstein
4,464,834	A	8/1984	Simms	D457,157	S	5/2002	Best
D280,393	S	9/1985	Lee	6,381,840	B2	5/2002	Ide
D280,394	S	9/1985	Lee	6,392,147	B1	5/2002	Hier et al.
4,539,767	A *	9/1985	Jaffe ..... 40/316	D459,194	S *	6/2002	Johansson et al. .... D8/356
D285,044	S	8/1986	Mockett	6,409,131	B1	6/2002	Bentley et al.
D289,138	S	4/1987	Nead	D460,350	S	7/2002	Davis
4,656,767	A *	4/1987	Tarrant ..... 40/316	6,430,782	B1 *	8/2002	Torres et al. .... 24/3.1
D289,732	S	5/1987	Jason	D465,993	S	11/2002	Kelleghan
D293,766	S	1/1988	Lamb	6,490,789	B1	12/2002	Ide
4,738,817	A	4/1988	Wittwer et al.	6,497,063	B1	12/2002	Stephens
4,821,988	A	4/1989	Jimenez	D477,772	S	7/2003	Nezu
4,856,214	A *	8/1989	Machen ..... 40/316	6,598,558	B2	7/2003	Griffin
D305,254	S	12/1989	Bateman et al.	6,634,528	B2 *	10/2003	Hurtgam ..... 224/251
D308,011	S	5/1990	Norris	D481,649	S	11/2003	Samuels
D314,529	S	2/1991	Willard	D482,391	S	11/2003	Hui
D317,171	S	5/1991	Saks	6,651,362	B2 *	11/2003	Caveney ..... 40/316
D321,913	S	11/1991	Wolff	6,657,126	B2	12/2003	Ide et al.
D325,400	S *	4/1992	Wolff ..... D20/42	6,662,445	B2	12/2003	Tanikawa et al.
5,122,068	A	6/1992	Koss	D485,783	S	1/2004	Youngman
5,161,799	A	11/1992	Nandra	D486,926	S	2/2004	Yuen
5,203,129	A	4/1993	Johnson	D490,692	S	6/2004	Williams
5,207,174	A	5/1993	Fabbrini	D491,836	S	6/2004	Haimoff
5,209,992	A	5/1993	Feres	D492,800	S	7/2004	Yuen
D336,131	S	6/1993	Nordstrom et al.	D494,087	S	8/2004	Lax
D340,038	S	10/1993	Venne et al.	D494,090	S	8/2004	Lax
D356,350	S	3/1995	Berggreen	D494,091	S	8/2004	Lax
D358,615	S *	5/1995	Cline ..... D20/22	D494,092	S	8/2004	Lax
D364,201	S	11/1995	Jensen	D494,093	S	8/2004	Lax
D365,781	S *	1/1996	Osborn ..... D11/96	6,844,499	B2	1/2005	Ide et al.
5,479,735	A	1/1996	Martin, Jr.	D502,122	S	2/2005	Lax
D369,042	S	4/1996	Kinart	6,858,804	B2	2/2005	Murakami et al.
D369,758	S	5/1996	Remidio	D505,091	S	5/2005	Youngman
5,536,096	A	7/1996	Nowak	D505,356	S	5/2005	Ho
5,537,042	A	7/1996	Beutler et al.	D507,508	S	7/2005	Brownell
5,584,122	A	12/1996	Kato et al.	6,940,020	B2	9/2005	Ide et al.
5,657,198	A	8/1997	Flener	D511,709	S	11/2005	Mehta
5,669,191	A	9/1997	Weaver	D511,987	S	11/2005	Swarovski
D388,833	S *	1/1998	Wilson ..... D20/22	D511,989	S	11/2005	De Castro et al.
5,712,767	A	1/1998	Koizumi	D512,934	S	12/2005	Voorn
D390,066	S	2/1998	Watkins et al.	D514,978	S	2/2006	Lakhi
D393,345	S	4/1998	Clegg et al.	D520,676	S	5/2006	Chen
5,740,622	A	4/1998	Martin	D521,409	S	5/2006	De Castro et al.
D396,146	S	7/1998	Blue	7,073,282	B2 *	7/2006	Savagian et al. .... 40/316
D401,883	S	12/1998	Madhvani	7,111,812	B2	9/2006	Shannon et al.
5,845,883	A	12/1998	Meyer	D529,557	S	10/2006	Greenwald
5,869,784	A	2/1999	Shinchi	D534,594	S	1/2007	Revere
D407,453	S	3/1999	Rashman	D535,907	S	1/2007	Sevdermish
5,887,368	A	3/1999	Rupp	D538,351	S	3/2007	Strong et al.
D412,136	S	7/1999	Namdar et al.	D542,123	S	5/2007	Symons
5,922,993	A	7/1999	Ide et al.	D548,057	S	8/2007	Kelleghan
5,925,202	A	7/1999	Ide et al.	D563,157	S	3/2008	Bouveret et al.
5,929,384	A	7/1999	Ide et al.	D563,616	S	3/2008	Lynde et al.
5,933,995	A *	8/1999	Gorbach ..... 40/672	D563,828	S *	3/2008	Meijer ..... D11/163
5,934,509	A	8/1999	Niss	D568,723	S	5/2008	Morgan
D413,544	S	9/1999	Steinberg	D572,126	S	7/2008	Tomaka
5,971,436	A *	10/1999	Cox ..... 283/81	D572,165	S	7/2008	Lichtenstein
5,979,028	A *	11/1999	Hicks et al. .... 24/712.9	D578,163	S	10/2008	Chou
D421,773	S *	3/2000	Yashar ..... D20/42	D578,275	S *	10/2008	Shantz et al. .... D99/17
6,087,589	A	7/2000	Ide	D585,196	S	1/2009	Bundrick
				D587,162	S	2/2009	Baker

D587,163	S	2/2009	Baker	
D587,164	S	2/2009	Baker	
D587,623	S	3/2009	Baker	
D587,624	S	3/2009	Baker	
D589,328	S	3/2009	Edge	
7,509,765	B2 *	3/2009	Flores .....	40/666
D590,676	S	4/2009	Pickard	
D590,885	S	4/2009	Love	
D592,540	S	5/2009	Rydlewicz	
D599,246	S	9/2009	Rudes	
D609,951	S	2/2010	Walker	
D610,482	S	2/2010	Shaw	
7,687,999	B2	3/2010	Essick et al.	
D618,985	S	7/2010	Sjoqvist	
D626,880	S	11/2010	Castaline et al.	
D629,286	S	12/2010	Laskowski	
D629,671	S	12/2010	Ohuri et al.	
D635,485	S	4/2011	Schanzer	
D639,408	S	6/2011	Newman	
D639,700	S	6/2011	Adams et al.	
D644,150	S	8/2011	Edick	
D644,501	S	9/2011	Chen	
D645,345	S	9/2011	Liebowitz et al.	
D646,730	S	10/2011	Burch	
D652,460	S	1/2012	Kulzer	
D652,766	S	1/2012	Dunn	
D652,767	S	1/2012	Dunn	
D653,163	S	1/2012	Dunn	
D653,164	S	1/2012	Dunn	
D653,165	S	1/2012	Dunn	
D653,166	S *	1/2012	Dunn .....	D11/184
D653,167	S	1/2012	Dunn	
D653,168	S	1/2012	Dunn	
D655,887	S	3/2012	Zbuchalski	
D656,067	S	3/2012	Dunn	
2008/0285785	A1 *	11/2008	Zieg et al. ....	381/370
2012/0031981	A1	2/2012	Westlake et al.	

OTHER PUBLICATIONS

U.S. Appl. No. 13/367,352, Dunn.  
 U.S. Appl. No. 29/394,588, Dunn.  
 U.S. Appl. No. 29/394,592, Dunn.  
 U.S. Appl. No. 29/394,596, Dunn.  
 U.S. Appl. No. 29/394,597, Dunn.  
 U.S. Appl. No. 29/411,284, Dunn.  
 U.S. Appl. No. 29/411,285, Dunn.  
 U.S. Appl. No. 29/411,286, Dunn.  
 U.S. Appl. No. 29/411,288 Dunn.  
 U.S. Appl. No. 29/411,291, Dunn.  
 U.S. Appl. No. 29/411,293, Dunn.  
 U.S. Appl. No. 29/411,295, Dunn.  
 U.S. Appl. No. 29/411,296, Dunn.  
 U.S. Appl. No. 29/411,297, Dunn.  
 U.S. Appl. No. 29/41,1298, Dunn.  
 U.S. Appl. No. 29/411,300, Dunn.  
 U.S. Appl. No. 29/411,302, Dunn.  
 U.S. Appl. No. 29/411,309, dated Jan. 19, 2012, Dunn.  
 U.S. Appl. No. 29/411,311, dated Jan. 19, 2012, Dunn.  
 U.S. Appl. No. 29/411,313, dated Jan. 19, 2012, Dunn.  
 U.S. Appl. No. 29/411,315, dated Jan. 19, 2012, Dunn.  
 U.S. Appl. No. 29/411,316, dated Jan. 19, 2012, Dunn.  
 U.S. Appl. No. 29/411,277, Dunn.  
 U.S. Appl. No. 29/411,282, Dunn.  
 Specification, Claims, and Drawings entered by the U.S. Patent and Trademark Office on Feb. 4, 2011 for U.S. Appl. No. 61/439,606, filed Feb. 4, 2011 (First Named Inventor—Dunn) (21 pages).  
 Specification, Claims, and Drawings entered by the U.S. Patent and Trademark Office on Feb. 6, 2012 for U.S. Appl. No. 13/367,352, filed Feb. 6, 2012 (First Named Inventor—Dunn) (28 pages).  
 Specification, Claims, and Drawings entered by the U.S. Patent and Trademark Office on Jun. 18, 2011 for U.S. Appl. No. 29/394,588, filed Jun. 18, 2011 (First Named Inventor—Dunn) (34 pages).  
 Requirement for Restriction/Election entered by the U.S. Patent and Trademark Office on Sep. 21, 2011 for U.S. Appl. No. 29/394,588, filed Jun. 18, 2011 (First Named Inventor—Dunn) (5 pages).

Response to Election/Restriction Filed entered by the U.S. Patent and Trademark Office on Nov. 21, 2011 for U.S. Appl. No. 29/394,588, filed Jun. 18, 2011 (First Named Inventor—Dunn) (2 pages).  
 Notice of Allowance and Fees Due entered by the U.S. Patent and Trademark Office on Jan. 6, 2012 for U.S. Appl. No. 29/394,588, filed Jun. 18, 2011 (First Named Inventor—Dunn) (8 pages).  
 Specification, Claims, and Drawings entered by the U.S. Patent and Trademark Office on Jun. 18, 2011 for U.S. Appl. No. 29/394,589, filed Jun. 18, 2011 (First Named Inventor—Dunn) (12 pages).  
 Notice of Allowance and Fees Due entered by the U.S. Patent and Trademark Office on Sep. 20, 2011 for U.S. Appl. No. 29/394,589, filed Jun. 18, 2011 (First Named Inventor—Dunn) (7 pages).  
 Supplemental Notice of Allowability entered by the U.S. Patent and Trademark Office on Nov. 14, 2011 for U.S. Appl. No. 29/394,589, filed Jun. 18, 2011 (First Named Inventor—Dunn) (4 pages).  
 Issue Notification entered by the U.S. Patent and Trademark Office on Jan. 11, 2012 for U.S. Appl. No. 29/394,589, filed Jun. 18, 2011 (First Named Inventor—Dunn) (1 page).  
 Specification, Claims, and Drawings entered by the U.S. Patent and Trademark Office on Jun. 18, 2011 for U.S. Appl. No. 29/394,590, filed Jun. 18, 2011 (First Named Inventor—Dunn) (14 pages).  
 Notice of Allowance and Fees Due entered by the U.S. Patent and Trademark Office on Sep. 23, 2011 for U.S. Appl. No. 29/394,590, filed Jun. 18, 2011 (First Named Inventor—Dunn) (2 pages).  
 Supplemental Notice of Allowability entered by the U.S. Patent and Trademark Office on Oct. 25, 2011 for U.S. Appl. No. 29/394,590, filed Jun. 18, 2011 (First Named Inventor—Dunn) (2 pages).  
 Issue Notification entered by the U.S. Patent and Trademark Office on Jan. 4, 2012 for U.S. Appl. No. 29/394,590, filed Jun. 18, 2011 (First Named Inventor—Dunn) (1 page).  
 Specification, Claims, and Drawings entered by the U.S. Patent and Trademark Office on Jun. 18, 2011 for U.S. Appl. No. 29/394,591, filed Jun. 18, 2011 (First Named Inventor—Dunn) (10 pages).  
 Notice of Allowance and Fees Due entered by the U.S. Patent and Trademark Office on Sep. 19, 2011 for U.S. Appl. No. 29/394,591, filed Jun. 18, 2011 (First Named Inventor—Dunn) (7 pages).  
 Supplemental Notice of Allowability entered by the U.S. Patent and Trademark Office on Oct. 12, 2011 for U.S. Appl. No. 29/394,591, filed Jun. 18, 2011 (First Named Inventor—Dunn) (2 pages).  
 Issue Notification entered by the U.S. Patent and Trademark Office on Jan. 11, 2012 for U.S. Appl. No. 29/394,591, filed Jun. 18, 2011 (First Named Inventor—Dunn) (1 page).  
 Specification, Claims, and Drawings entered by the U.S. Patent and Trademark Office on Jun. 18, 2011 for U.S. Appl. No. 29/394,592, filed Jun. 18, 2011 (First Named Inventor—Dunn) (18 pages).  
 Requirement for Restriction/Election entered by the U.S. Patent and Trademark Office on Sep. 22, 2011 for U.S. Appl. No. 29/394,592, filed Jun. 18, 2011 (First Named Inventor—Dunn) (5 pages).  
 Response to Restriction Requirement entered by the U.S. Patent and Trademark Office on Oct. 27, 2011 for U.S. Appl. No. 29/394,592, filed Jun. 18, 2011 (First Named Inventor—Dunn) (2 pages).  
 Notice of Allowance and Fees Due entered by the U.S. Patent and Trademark Office on Dec. 20, 2011 for U.S. Appl. No. 29/394,592, filed Jun. 18, 2011 (First Named Inventor—Dunn) (9 pages).  
 Specification, Claims, and Drawings entered by the U.S. Patent and Trademark Office on Jun. 18, 2011 for U.S. Appl. No. 29/394,593, filed Jun. 18, 2011 (First Named Inventor—Dunn) (12 pages).  
 Notice of Allowance and Fees Due entered by the U.S. Patent and Trademark Office on Sep. 20, 2011 for U.S. Appl. No. 29/394,593, filed Jun. 18, 2011 (First Named Inventor—Dunn) (7 pages).  
 Supplemental Notice of Allowability entered by the U.S. Patent and Trademark Office on Oct. 12, 2011 for U.S. Appl. No. 29/394,593, filed Jun. 18, 2011 (First Named Inventor—Dunn) (2 pages).  
 Issue Notification entered by the U.S. Patent and Trademark Office on Jan. 11, 2012 for U.S. Appl. No. 29/394,593, filed Jun. 18, 2011 (First Named Inventor—Dunn) (1 page).  
 Specification, Claims, and Drawings entered by the U.S. Patent and Trademark Office on Jun. 18, 2011 for U.S. Appl. No. 29/394,594, filed Jun. 18, 2011 (First Named Inventor—Dunn) (7 pages).  
 Notice of Allowance and Fees Due entered by the U.S. Patent and Trademark Office on Sep. 23, 2011 for U.S. Appl. No. 29/394,594, filed Jun. 18, 2011 (First Named Inventor—Dunn) (7 pages).



Stick'nGo, <http://stickngo.com.au>, Stick'nGo Cables Label, Accessed Nov. 26, 2010.

Fiber Network Tools, <http://www.fibernetnetworktools.com/catalog2.php>, FNT Cables and Assemblies, Accessed Nov. 26, 2010.

NELCO Products Incorporated, <http://www.nelcoproducts.com>, NELCO Blank Flag Tie Markets, Accessed Nov. 26, 2010.

Sunlec International, <http://www.sunlec.com.au>, Sunlec International Cable Sleeves, Accessed Nov. 26, 2010.

The Cable Label Co., <http://www.thecablelabelco.co.uk/buy.php>, Buy Cable Bug Labels in Bags, Accessed Nov. 26, 2010.

The Storage Store, <http://www.thestoragestore.com>, Computer Cable Flags, Accessed Nov. 26, 2010.

Non-final Office Action entered by the U.S. Patent and Trademark Office on Mar. 6, 2012 for U.S. Appl. No. 29/411,283, filed Jan. 19, 2012 (First Named Inventor—Dunn) (5 pages).

Non-final Office Action entered by the U.S. Patent and Trademark Office on Mar. 26, 2012 for U.S. Appl. No. 29/411,284, filed Jan. 19, 2012 (First Named Inventor—Dunn) (5 pages).

Notice of Allowance entered by the U.S. Patent and Trademark Office on Apr. 4, 2012 for U.S. Appl. No. 29/411,291, filed Jan. 19, 2012 (First Named Inventor—Dunn) (7 pages).

Notice of Allowance entered by the U.S. Patent and Trademark Office on Apr. 4, 2012 for U.S. Appl. No. 29/411,293, filed Jan. 19, 2012 (First Named Inventor—Dunn) (7 pages).

Notice of Allowance entered by the U.S. Patent and Trademark Office on Apr. 4, 2012 for U.S. Appl. No. 29/411,295, filed Jan. 19, 2012 (First Named Inventor—Dunn) (7 pages).

Notice of Allowance entered by the U.S. Patent and Trademark Office on Apr. 2, 2012 for U.S. Appl. No. 29/411,298, filed Jan. 19, 2012 (First Named Inventor—Dunn) (7 pages).

Notice of Allowance entered by the U.S. Patent and Trademark Office on Apr. 2, 2012 for U.S. Appl. No. 29/411,300, filed Jan. 19, 2012 (First Named Inventor—Dunn) (7 pages).

Office Action entered by the U.S. Patent and Trademark Office on Mar. 30, 2012 for U.S. Appl. No. 29/411,309, filed Jan. 19, 2012 (First Named Inventor—Dunn) (6 pages).

Notice of Allowance entered by the U.S. Patent and Trademark Office on Apr. 4, 2012 for U.S. Appl. No. 29/411,311, filed Jan. 19, 2012 (First Named Inventor—Dunn) (7 pages).

Specification, Claims, and Drawings entered by the U.S. Patent and Trademark Office on Jan. 19, 2012 for U.S. Appl. No. 29/411,277, filed Jan. 19, 2012 (First Named Inventor—Dunn) (7 pages).

Notice of Allowance and Fees Due entered by the U.S. Patent and Trademark Office on Mar. 2, 2012 for U.S. Appl. No. 29/411,277, filed Jan. 19, 2012 (First Named Inventor—Dunn) (7 pages).

Specification, Claims, and Drawings entered by the U.S. Patent and Trademark Office on Jan. 19, 2012 for U.S. Appl. No. 29/411,282, filed Jan. 19, 2012 (First Named Inventor—Dunn) (8 pages).

\* cited by examiner

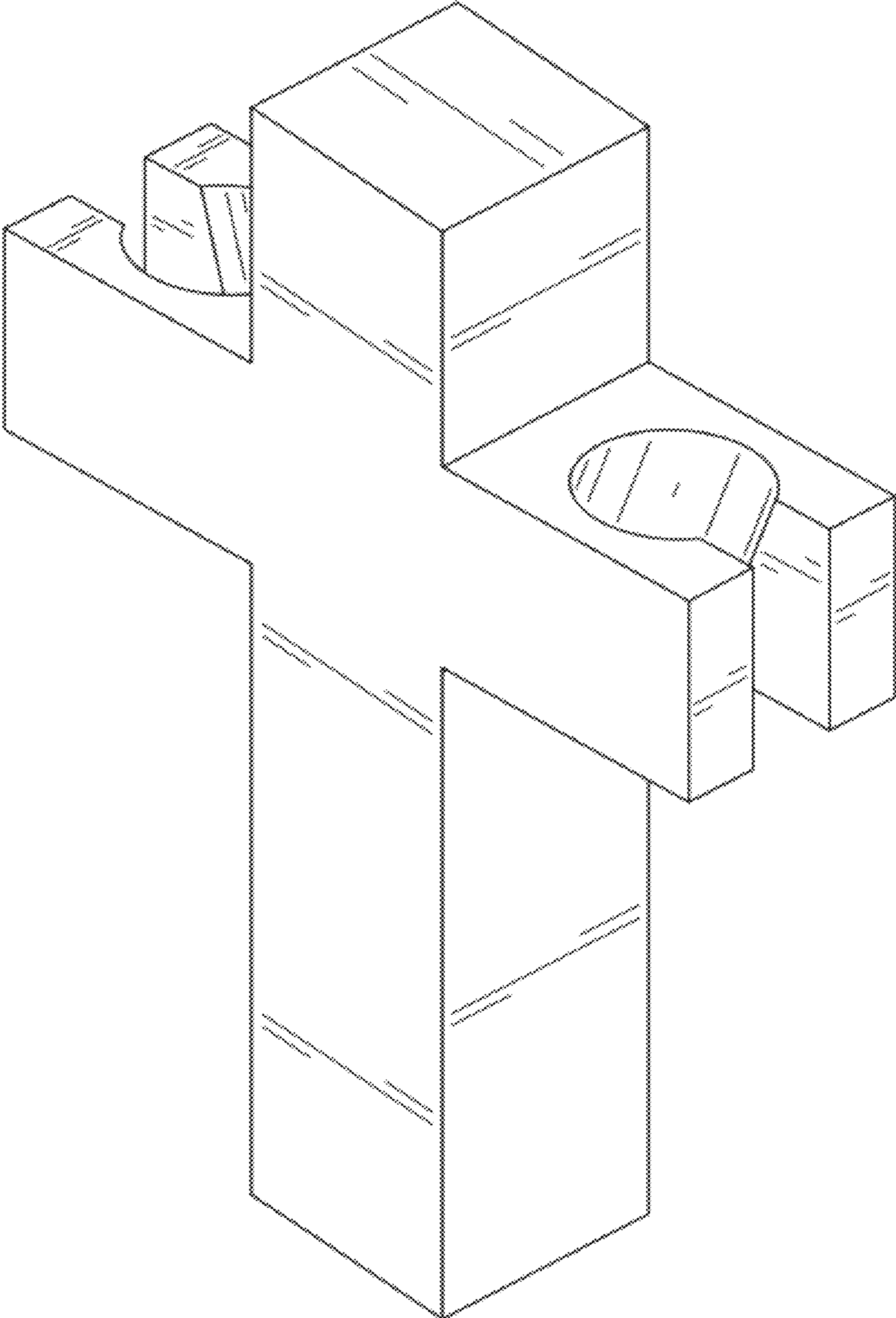


FIG. 1

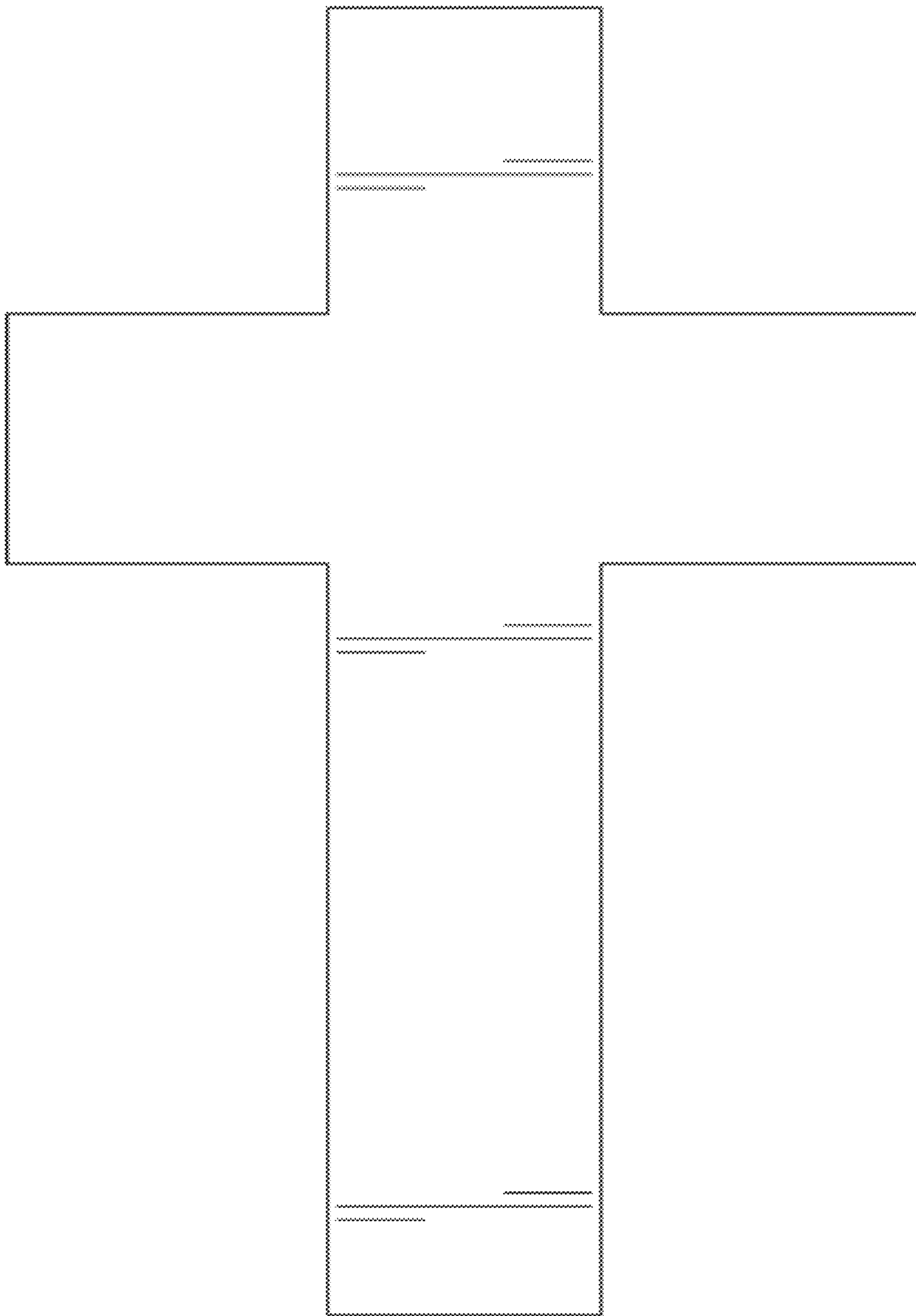


FIG. 2

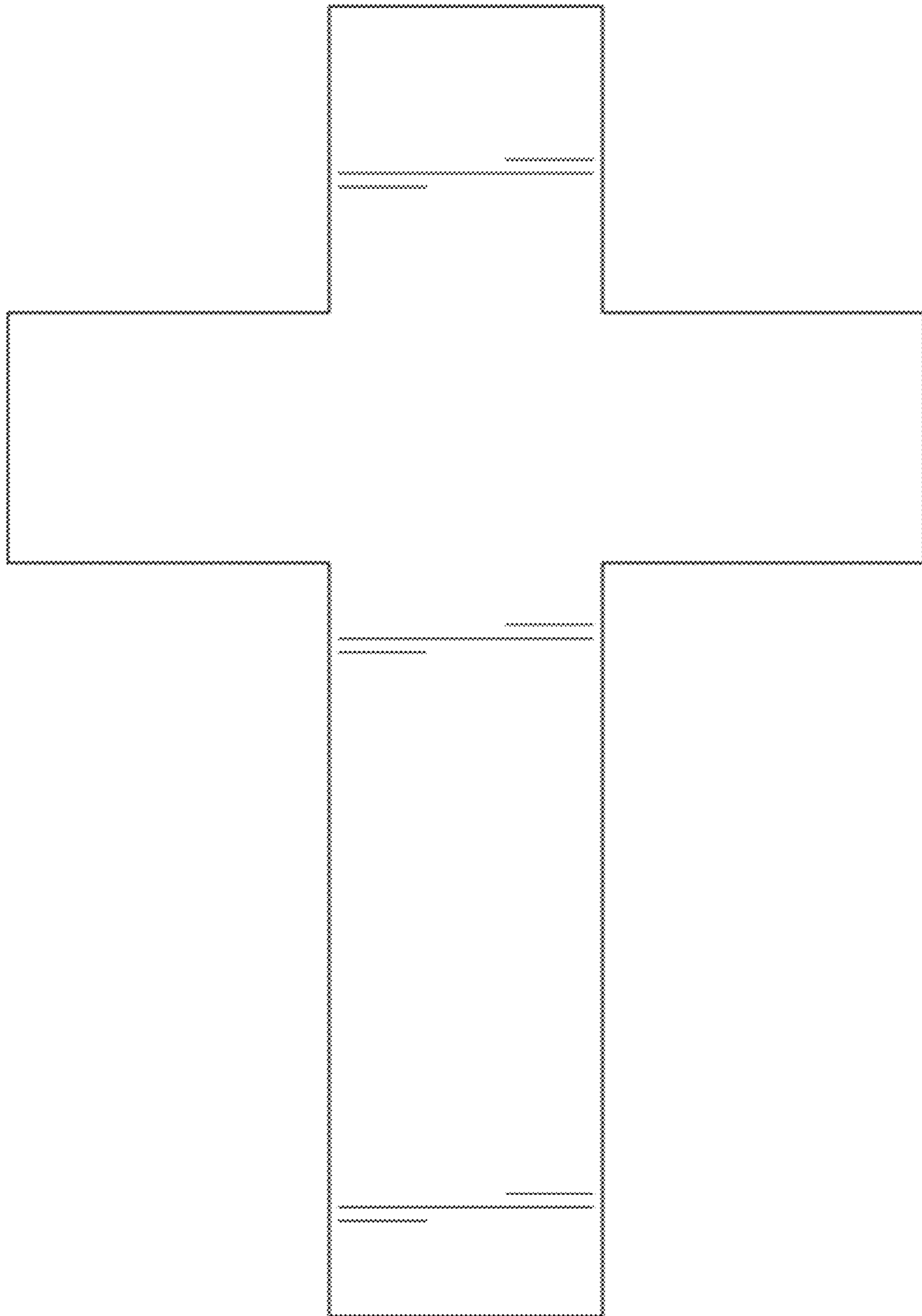


FIG. 3



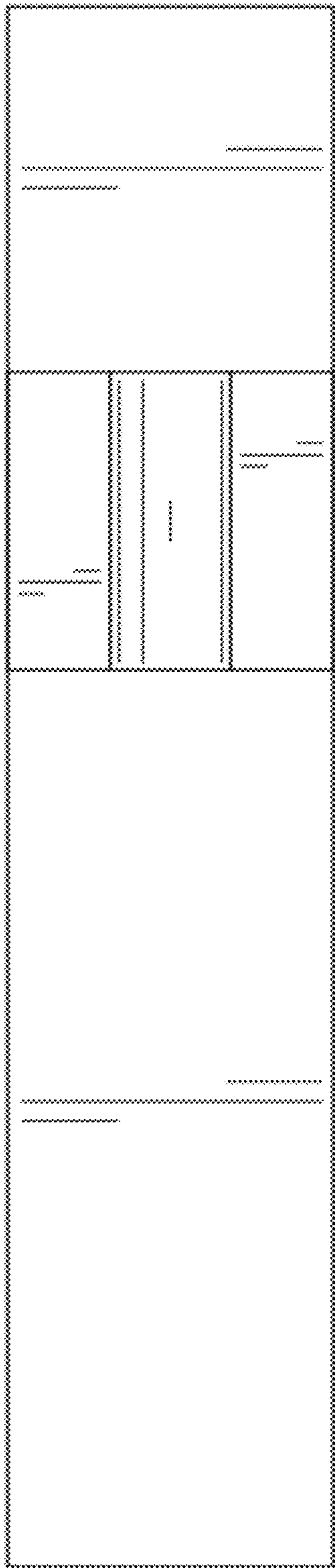


FIG. 4

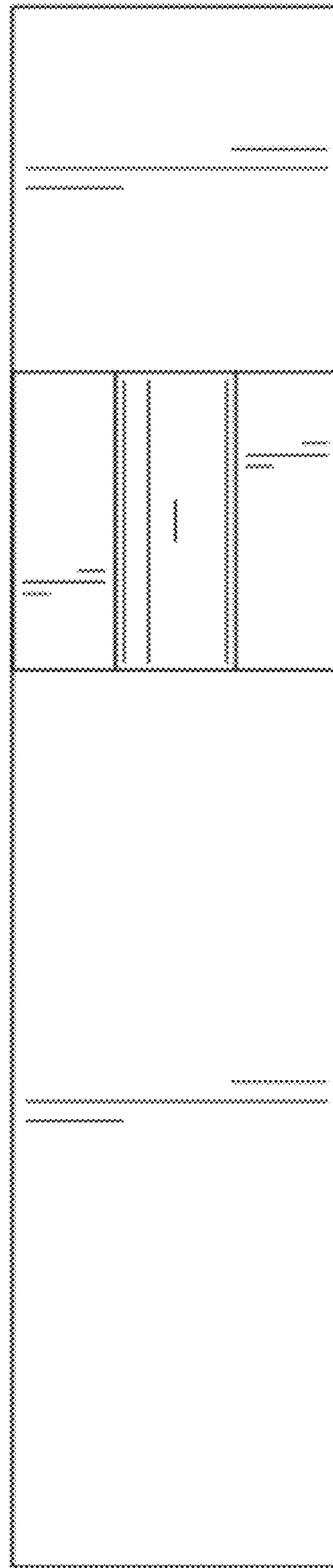


FIG. 5

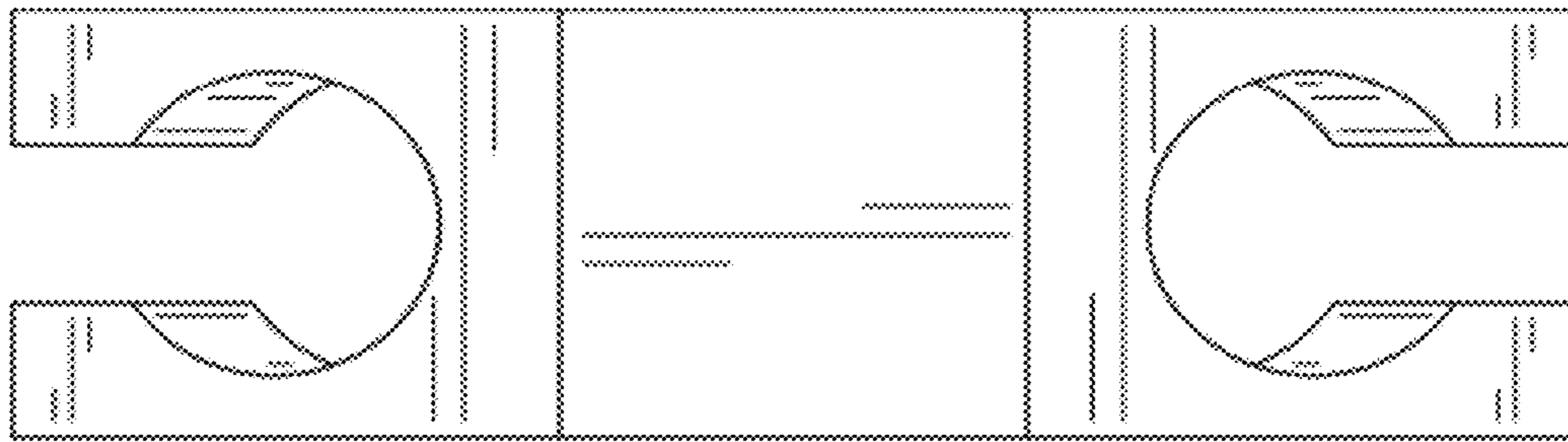


FIG. 6

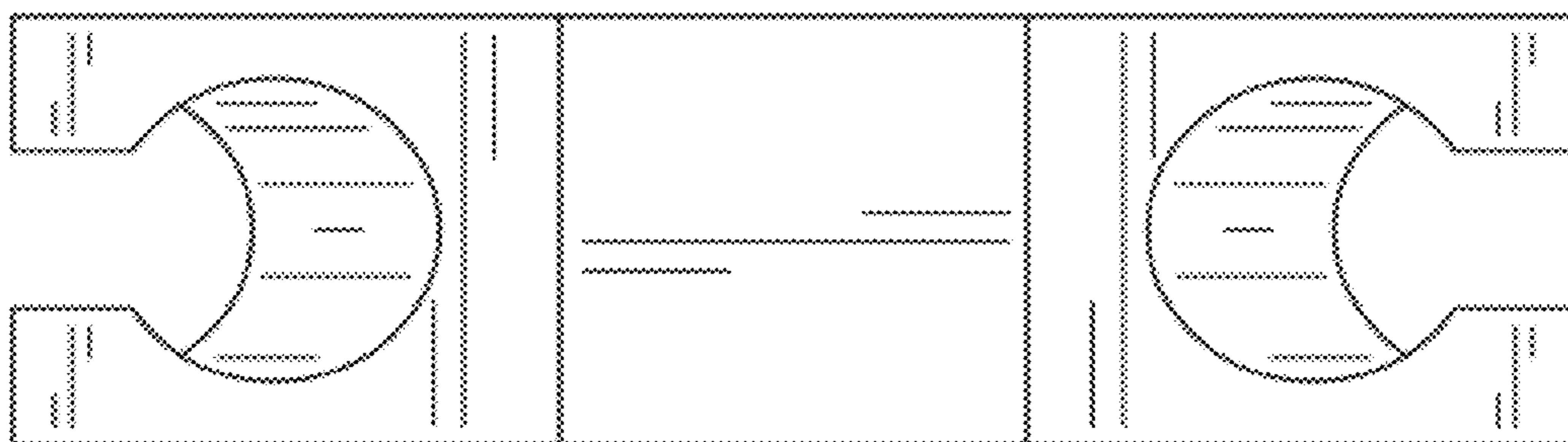


FIG. 7