



US00D665699S

(12) **United States Design Patent**
Dubow

(10) **Patent No.:** **US D665,699 S**

(45) **Date of Patent:** **** Aug. 21, 2012**

(54) **HANDBAG CORK CAGE ORNAMENT**

D617,611 S * 6/2010 DuBow D7/628
D626,325 S * 11/2010 DuBow D3/202

(75) **Inventor:** **Ardeen Dubow**, Santa Ana, CA (US)

* cited by examiner

(73) **Assignee:** **Epic Products, Inc.**, Santa Ana, CA (US)

Primary Examiner — T. Chase Nelson
Assistant Examiner — Michelle E Wilson

(**) **Term:** **14 Years**

(74) *Attorney, Agent, or Firm* — The Nath Law Group;
Jerald L. Meyer; Robert T. Burns

(21) **Appl. No.:** **29/412,485**

(57) **CLAIM**

The ornamental design for a handbag cork cage ornament, as shown and described.

(22) **Filed:** **Feb. 3, 2012**

(51) **LOC (9) Cl.** **11-02**

(52) **U.S. Cl.** **D11/157**

(58) **Field of Classification Search** D11/130,
D11/157, 164, 184; D7/560, 564, 563, 571,
D7/628, 604, 606, 625, 601; D9/681, 600;
D3/270, 271.1; 206/206

See application file for complete search history.

DESCRIPTION

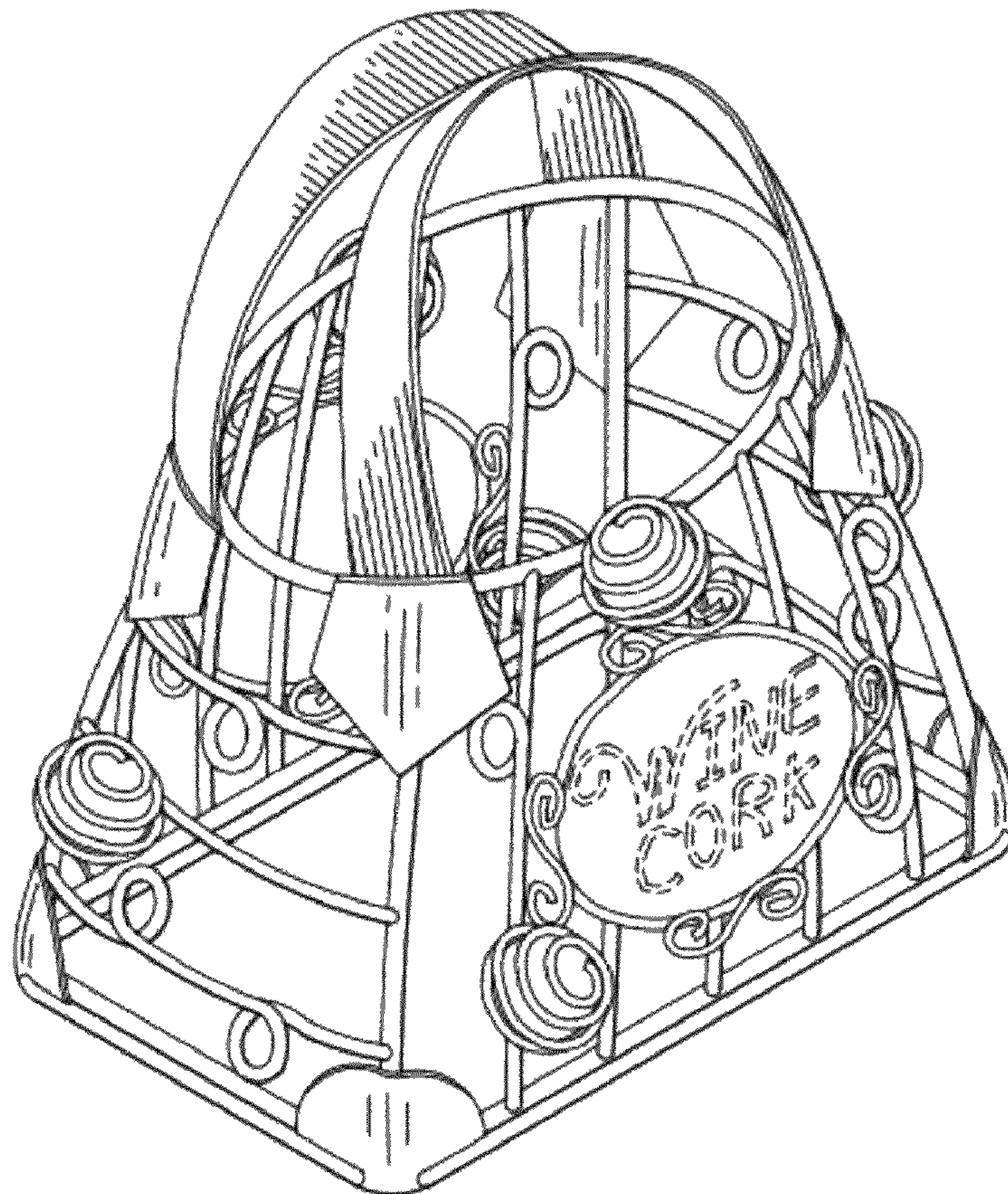
FIG. 1 is a perspective view of a handbag cork cage ornament showing my new design;
FIG. 2 is a front elevation view thereof;
FIG. 3 is a back elevation view thereof;
FIG. 4 is a left side elevation view thereof;
FIG. 5 is a right side elevation view thereof;
FIG. 6 is a top view thereof; and,
FIG. 7 is a bottom view thereof.
The broken line showing of the text on the handbag label forms no part of the claimed design.

(56) **References Cited**

U.S. PATENT DOCUMENTS

D309,429 S * 7/1990 Grimm D3/271.1
D451,665 S * 12/2001 Phillips et al. D3/202
D544,208 S * 6/2007 Guy et al. D3/274

1 Claim, 4 Drawing Sheets



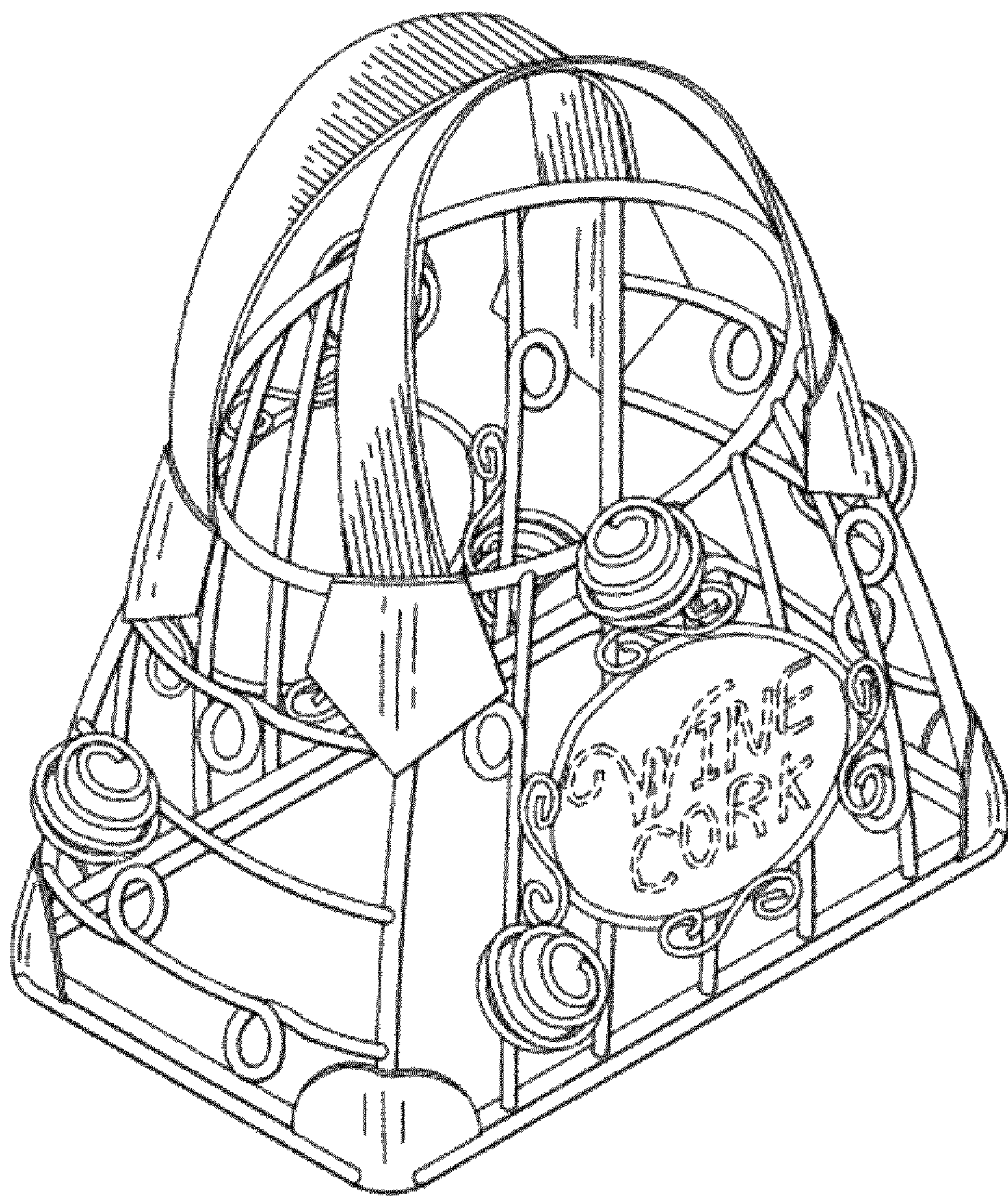


FIG. 1

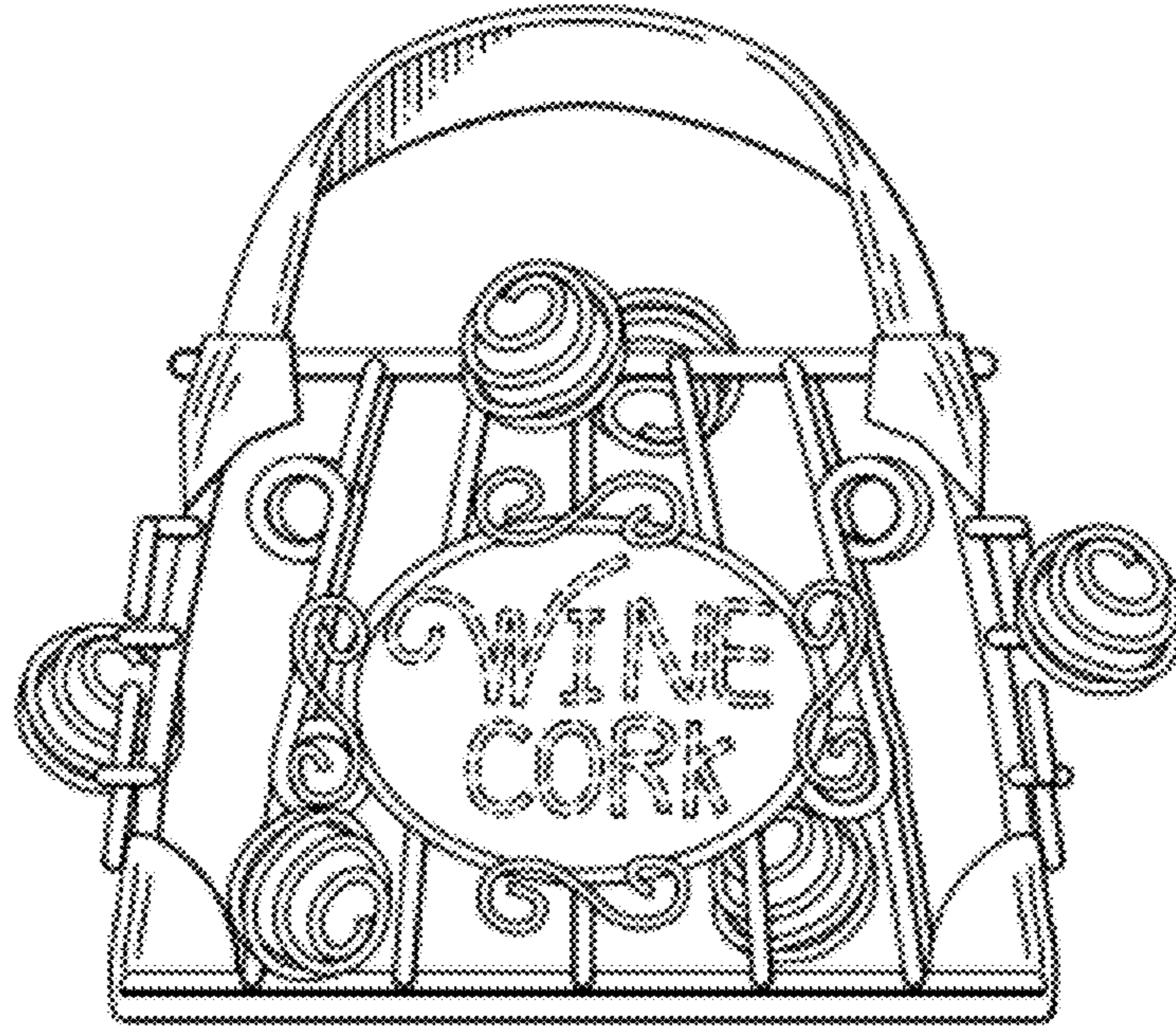


FIG. 2

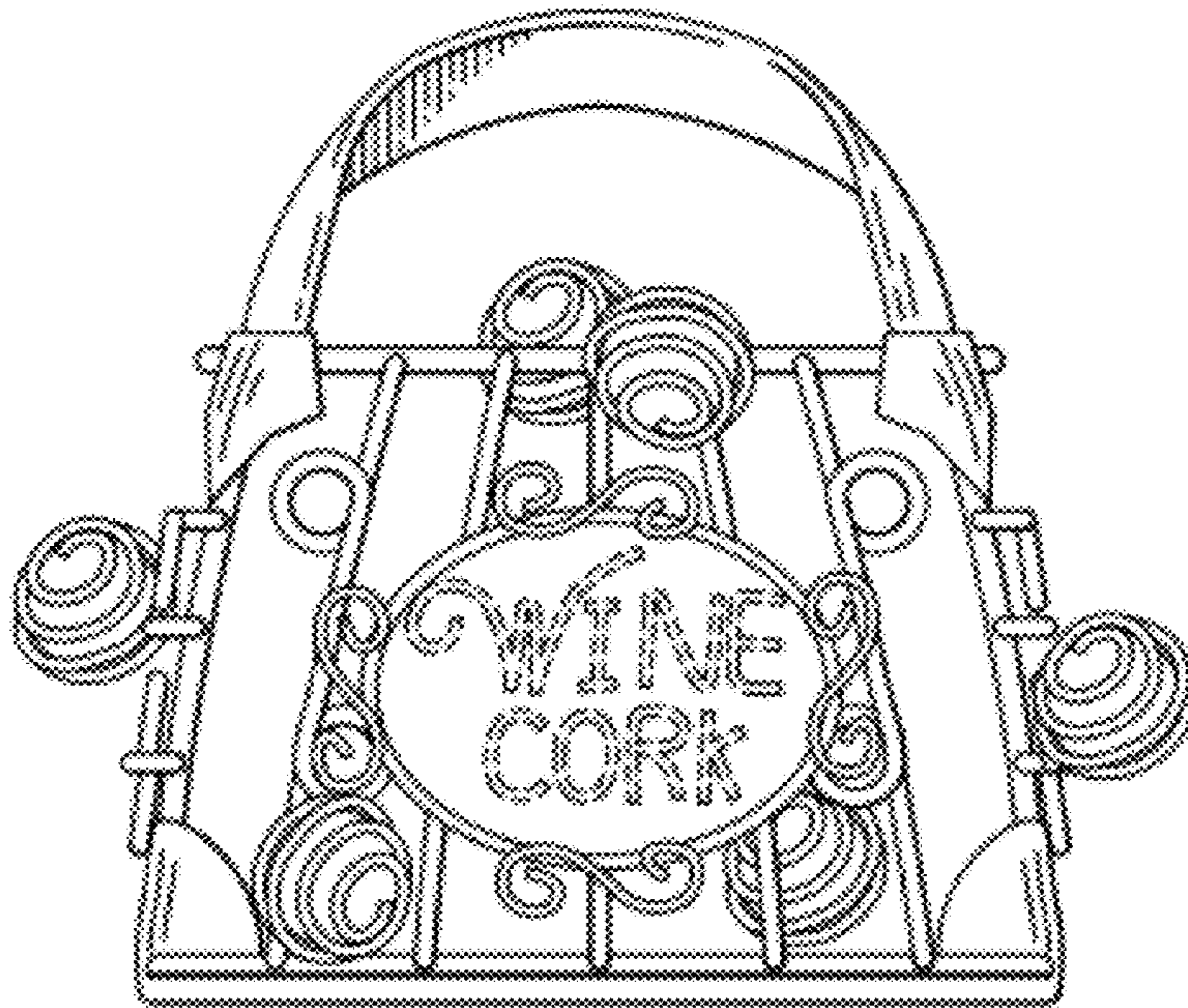


FIG. 3

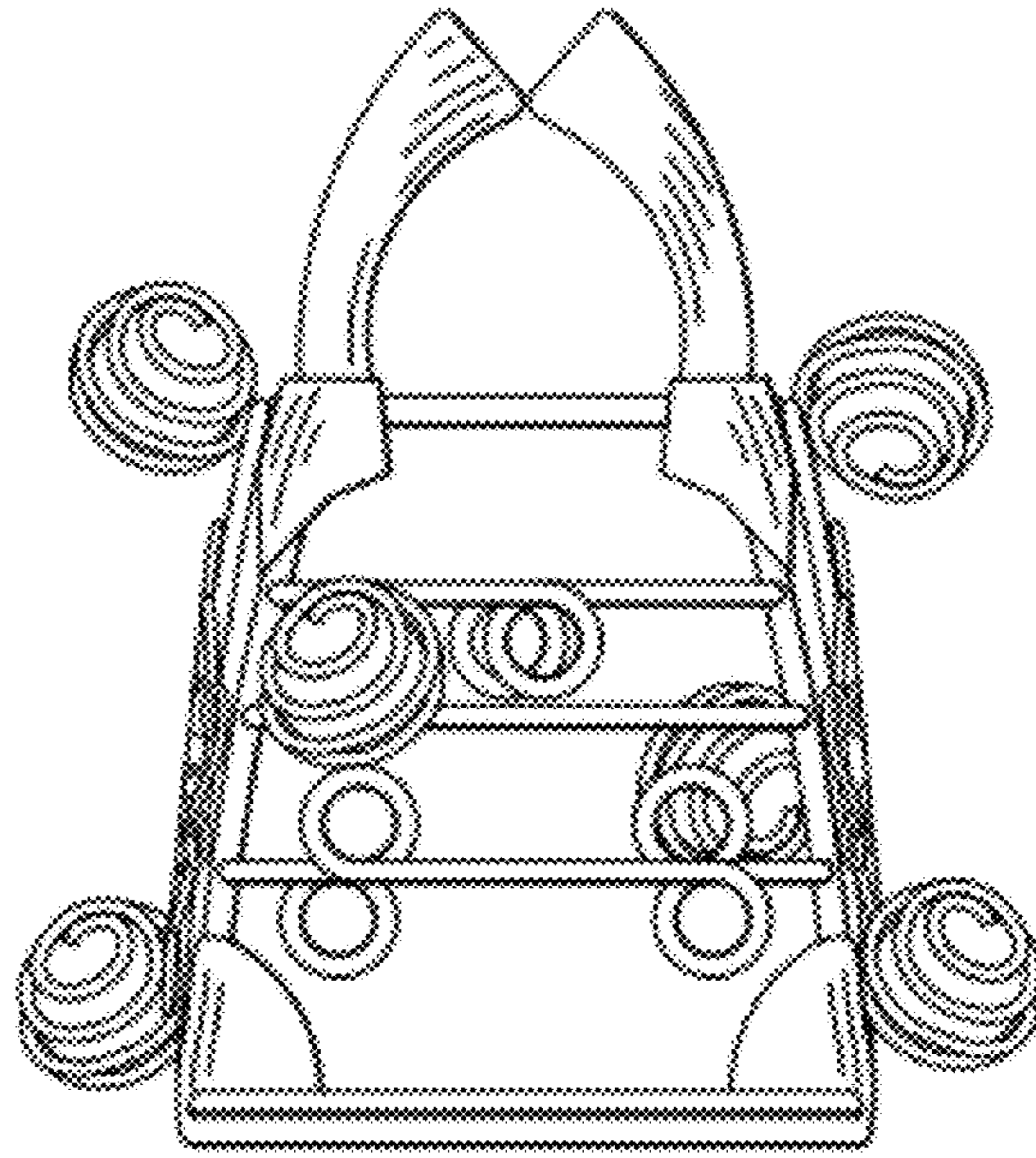


FIG. 4

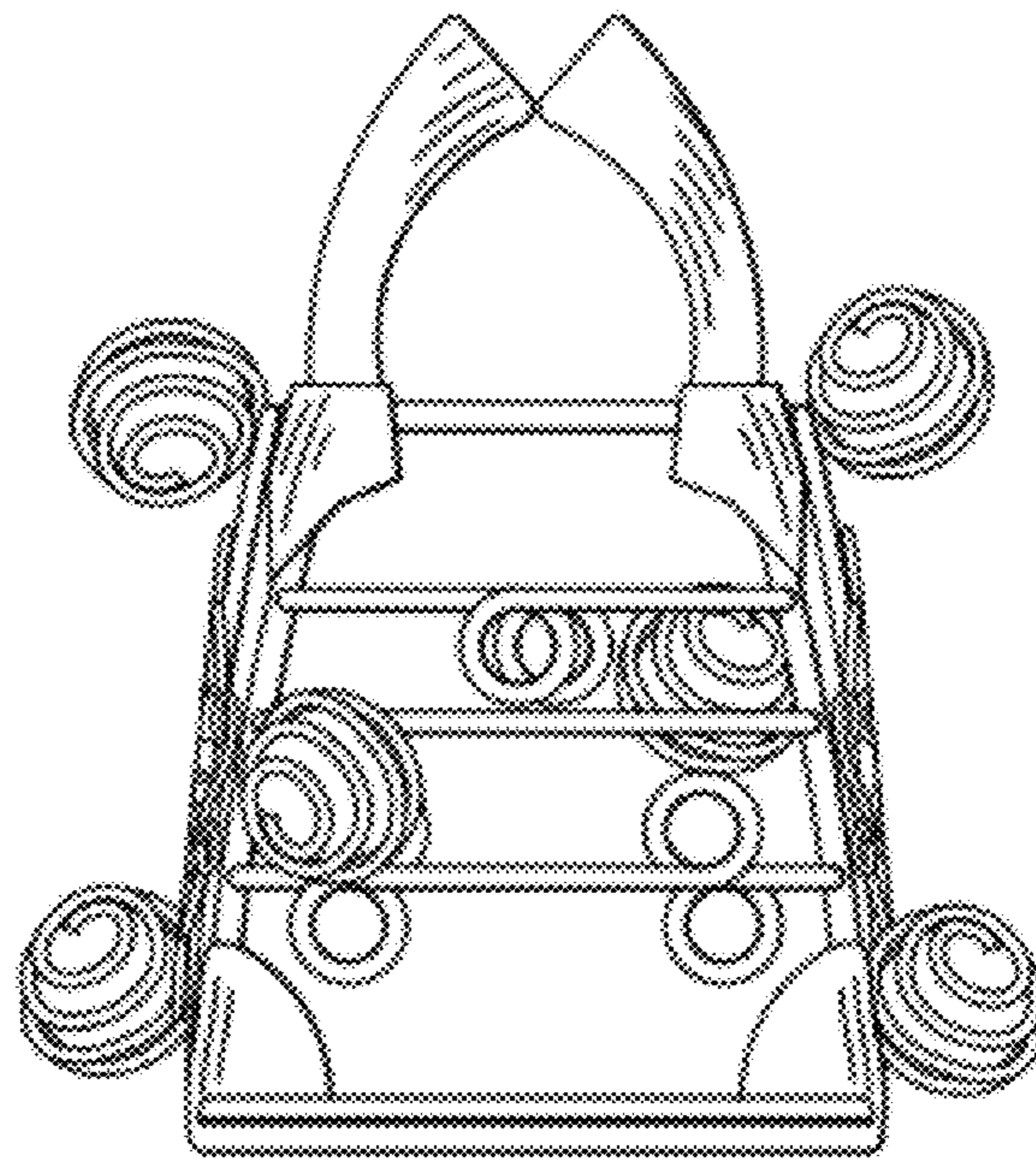


FIG. 5

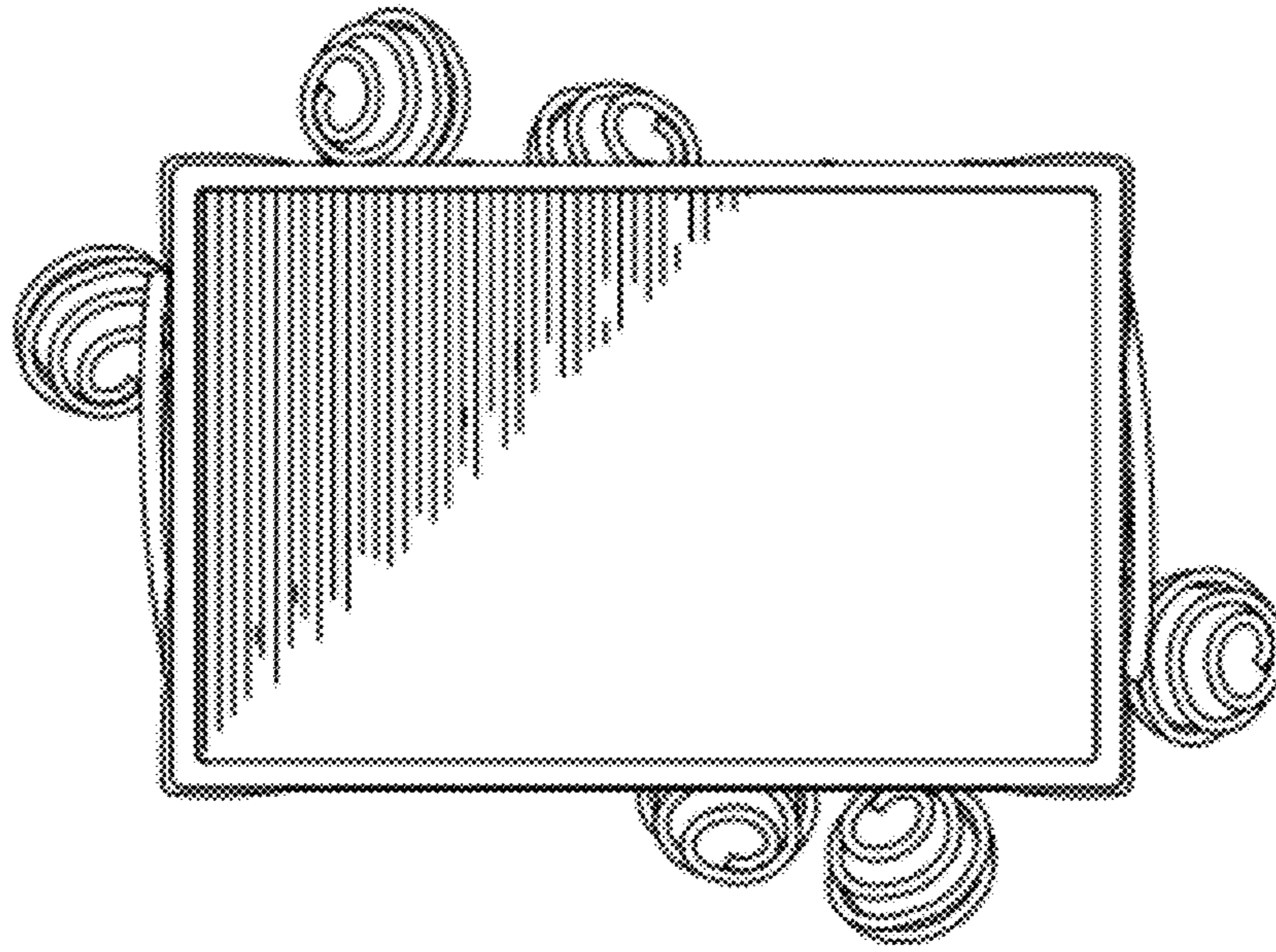


FIG. 6

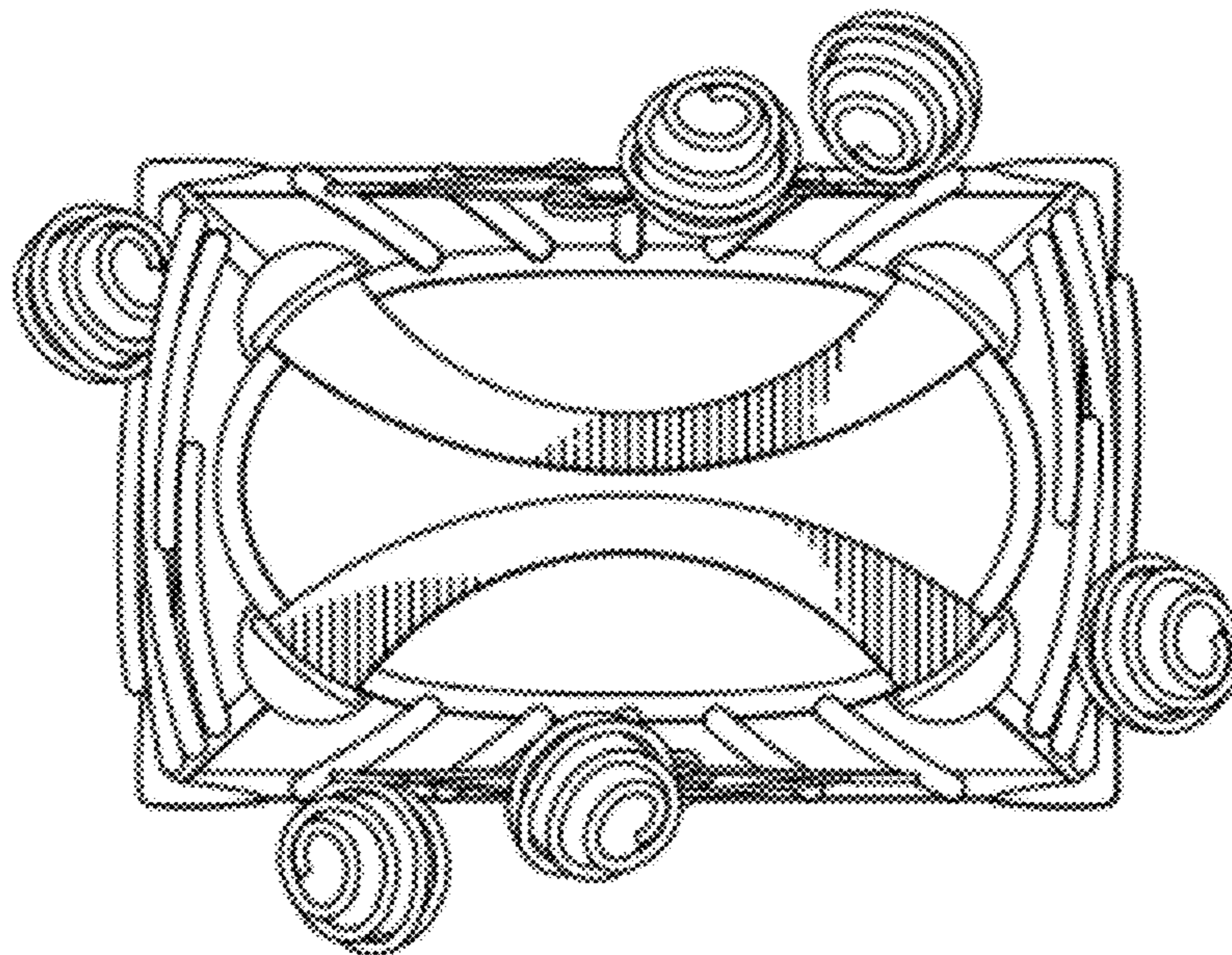


FIG. 7