



US00D665690S

(12) **United States Design Patent**
Bode

(10) **Patent No.:** **US D665,690 S**

(45) **Date of Patent:** **** *Aug. 21, 2012**

(54) **WATCH DIAL**

(75) **Inventor:** **Nils Bode**, Hanovre (DE)

(73) **Assignee:** **Lange Ehren GmbH**, Glashutte (DE)

(*) **Notice:** This patent is subject to a terminal disclaimer.

(**) **Term:** **14 Years**

(21) **Appl. No.:** **29/373,924**

(22) **Filed:** **Jun. 9, 2011**

(30) **Foreign Application Priority Data**

Dec. 13, 2010 (WO) DM/075 031

(51) **LOC (9) Cl.** **10-07**

(52) **U.S. Cl.** **D10/126**

(58) **Field of Classification Search** D10/122-126,
D10/30-39; 368/80, 223, 228, 232, 234

See application file for complete search history.

(56) **References Cited**

U.S. PATENT DOCUMENTS

6,275,450	B1 *	8/2001	Makiba	368/80
D506,936	S *	7/2005	Takahashi	D10/32
D508,860	S *	8/2005	Plan	D10/39
D513,710	S *	1/2006	Nataf	D10/126
D519,852	S *	5/2006	Roden	D10/31
D524,171	S *	7/2006	Monachon	D10/32
D548,625	S *	8/2007	Schoepfer	D10/39

D554,002	S *	10/2007	Journe	D10/31
D554,003	S *	10/2007	Journe	D10/31
D557,618	S *	12/2007	El Kadiri	D10/31
D560,124	S *	1/2008	Sirmakes	D10/32
D564,930	S *	3/2008	Kume	D10/126
D566,602	S *	4/2008	Nataf	D10/126
D578,412	S *	10/2008	Belamich	D10/39
D597,880	S *	8/2009	Behling	D10/126
D598,318	S *	8/2009	Behling	D10/126
7,609,588	B2 *	10/2009	Tokoro et al.	368/28
D620,382	S *	7/2010	Hegi	D10/126
D628,929	S *	12/2010	Gruosi	D10/125
D640,145	S *	6/2011	Goto	D10/32
2006/0140057	A1 *	6/2006	Hirano et al.	368/28

* cited by examiner

Primary Examiner — Lucy Lieberman

(74) *Attorney, Agent, or Firm* — Clifford W. Browning;
Krieg DeVault LLP

(57) **CLAIM**

The ornamental design for a watch dial, as shown and described.

DESCRIPTION

FIG. 1 is a top view of the watch dial of the present invention.

FIG. 2 is a bottom view of the watch dial of FIG. 1.

FIG. 3 is a front view of the watch dial of FIG. 1.

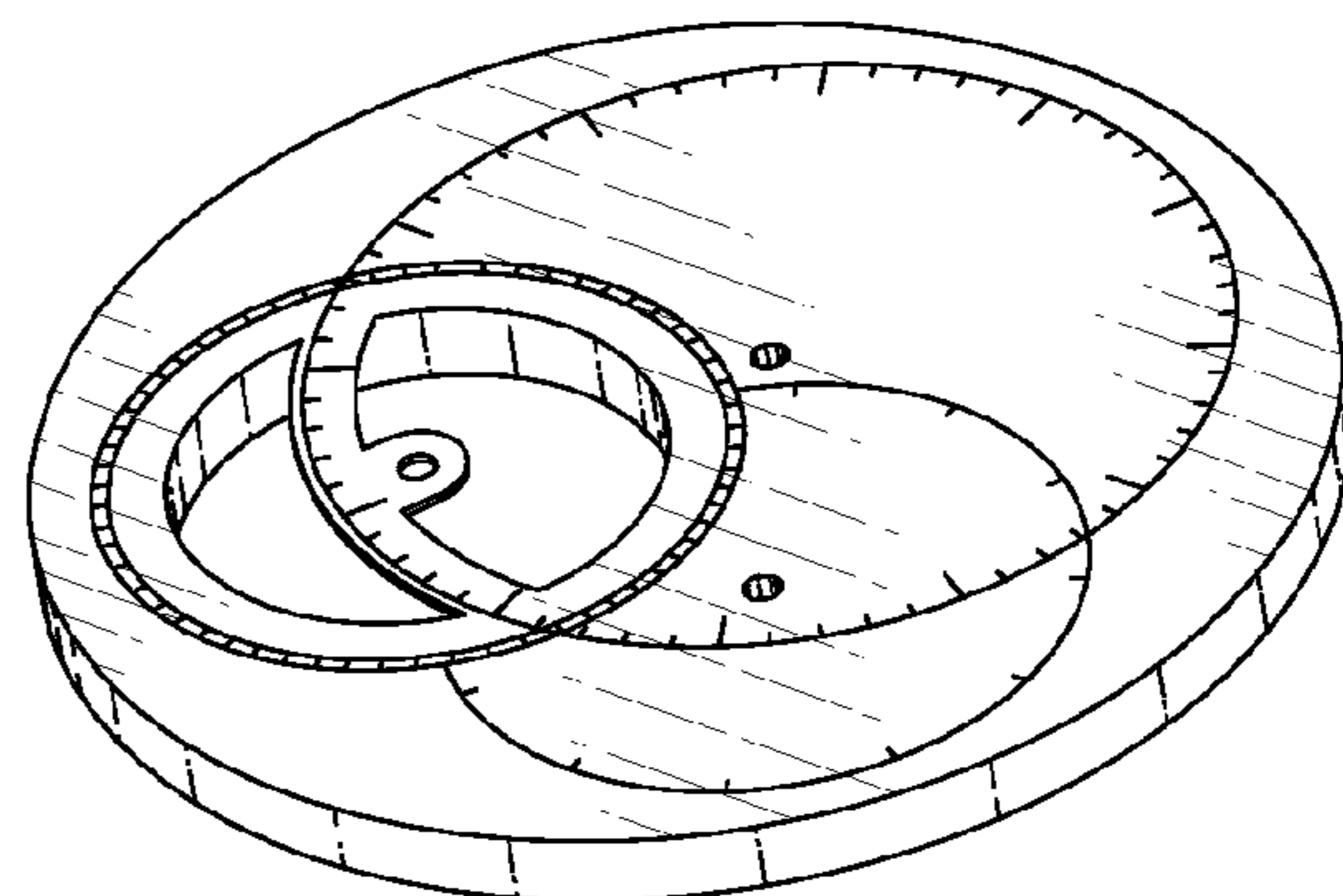
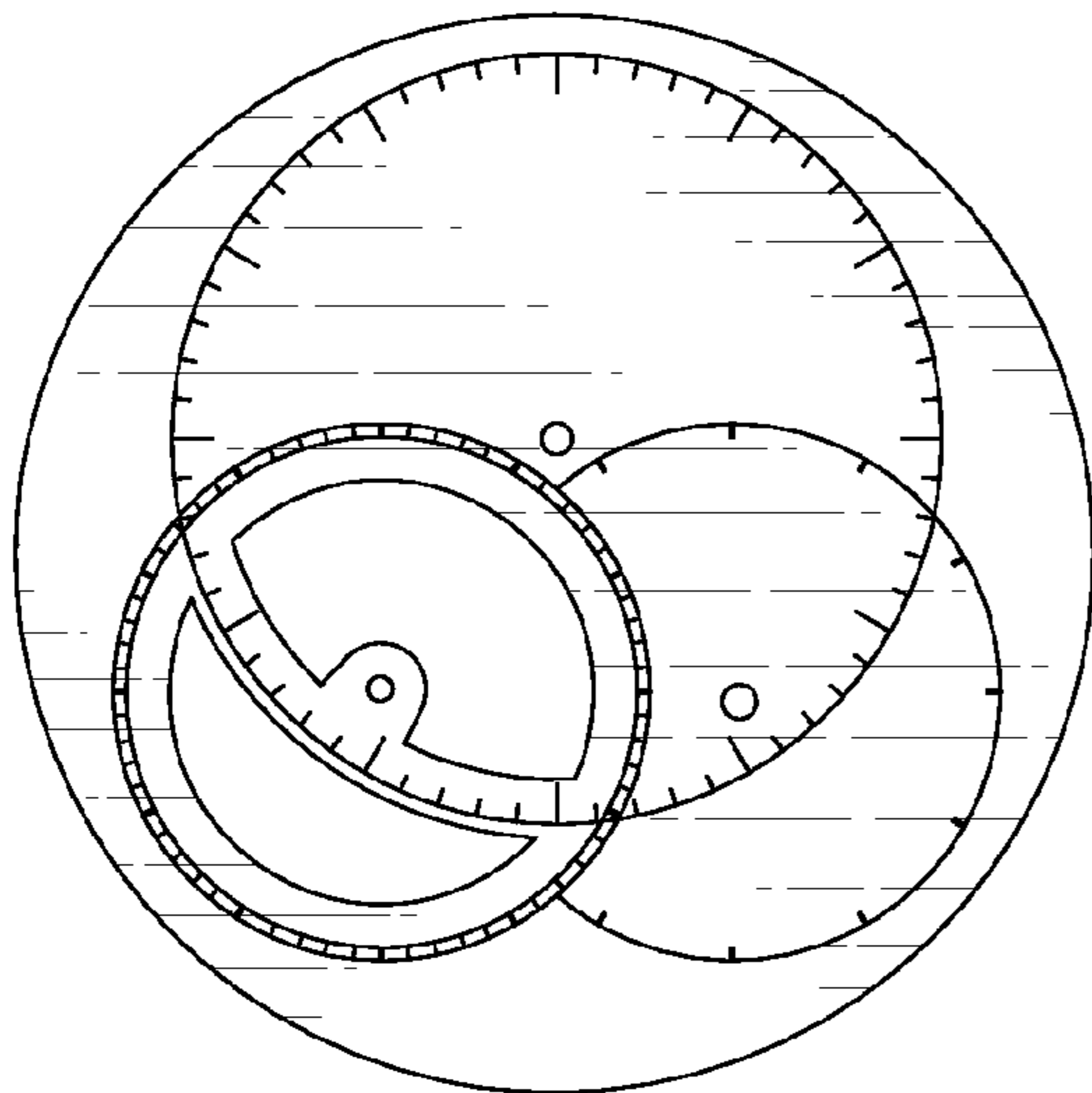
FIG. 4 is a back view of the watch dial of FIG. 1.

FIG. 5 is a right side view of the watch dial of FIG. 1.

FIG. 6 is a left side view of the watch dial of FIG. 1; and,

FIG. 7 is a perspective view of the watch dial of FIG. 1.

1 Claim, 1 Drawing Sheet



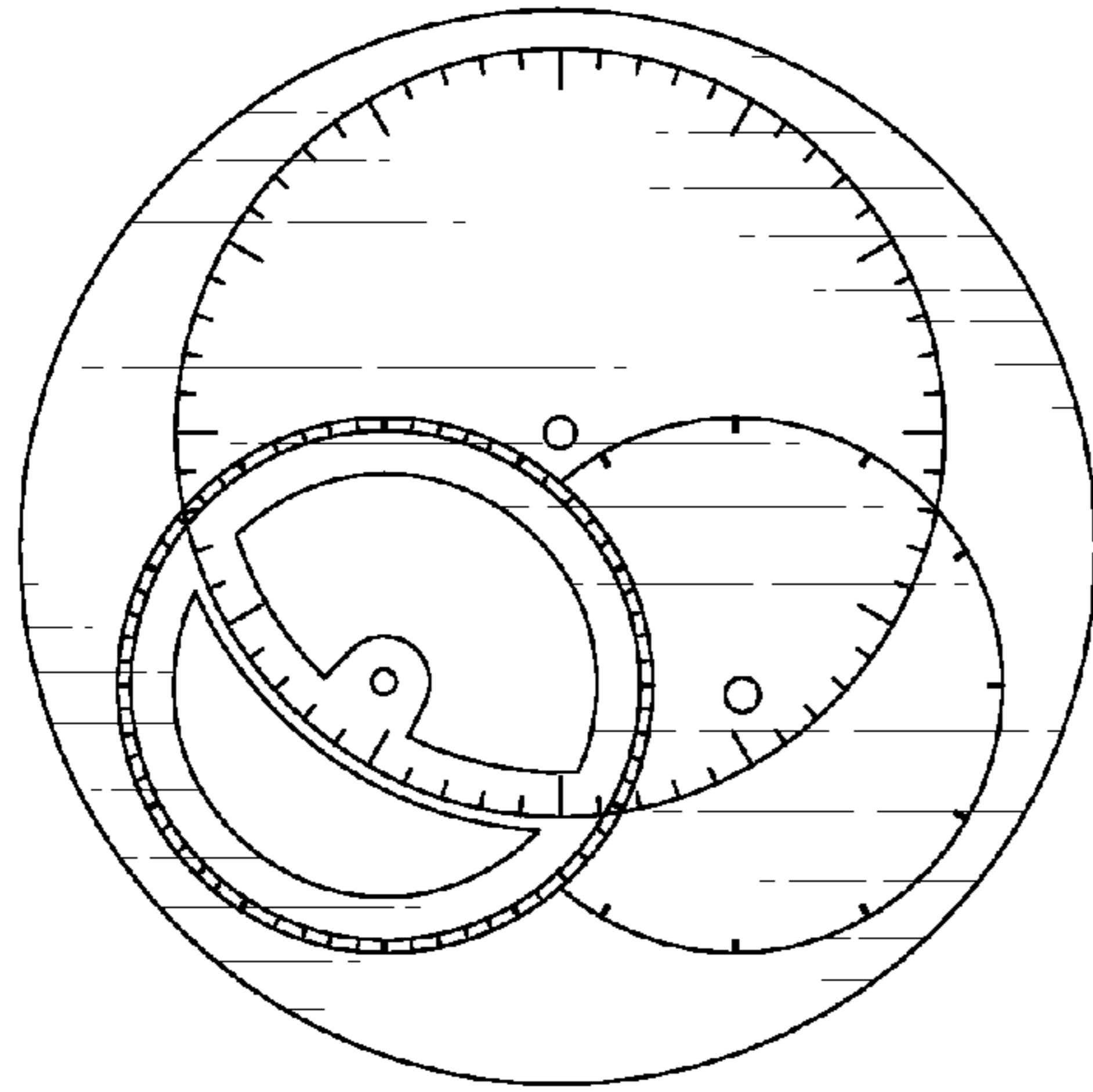


FIG. 1

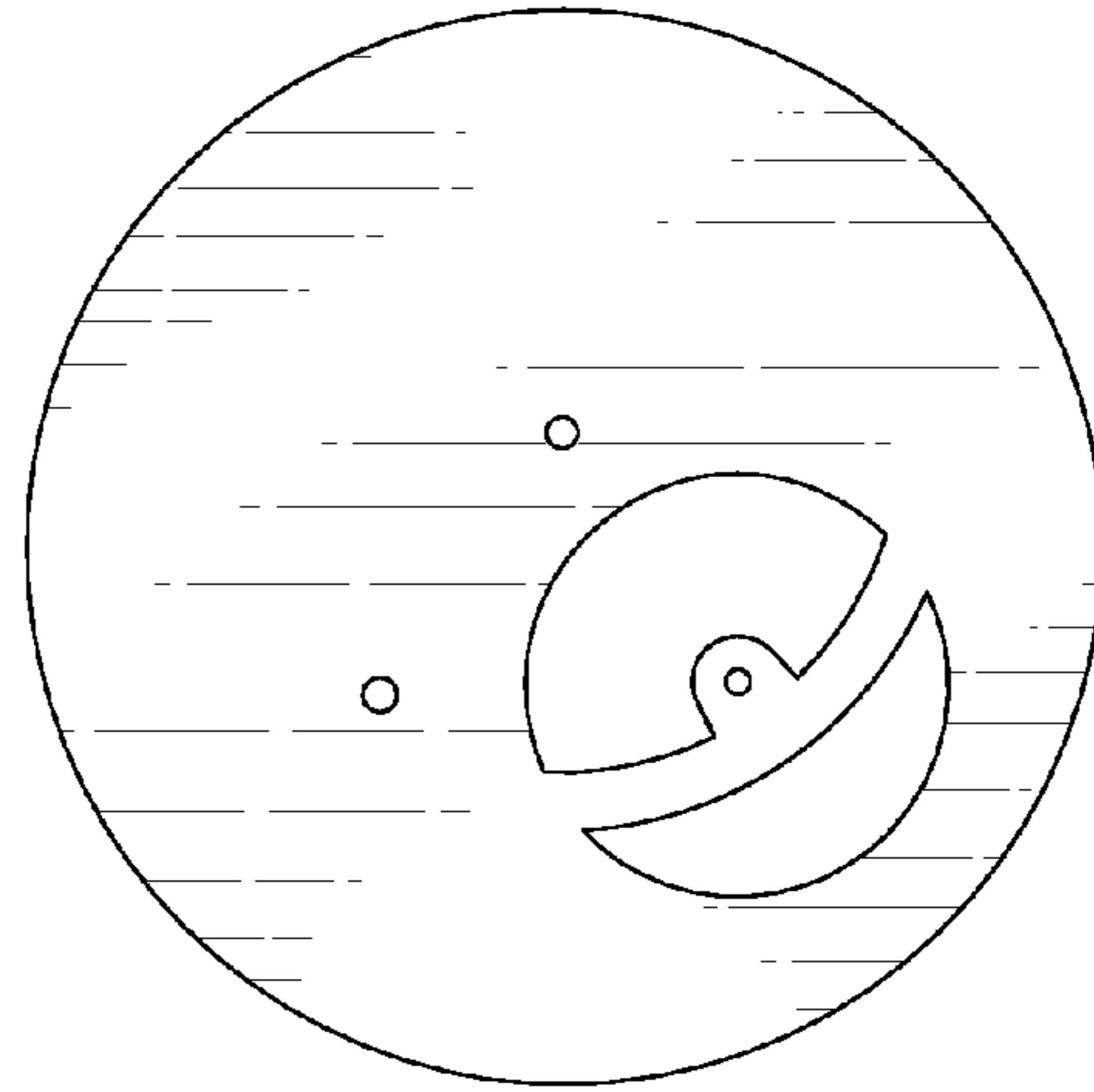


FIG. 2

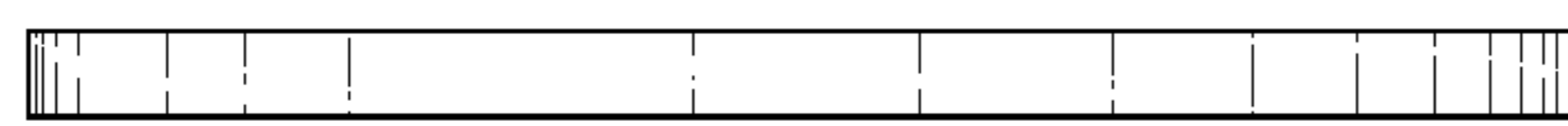


FIG. 3

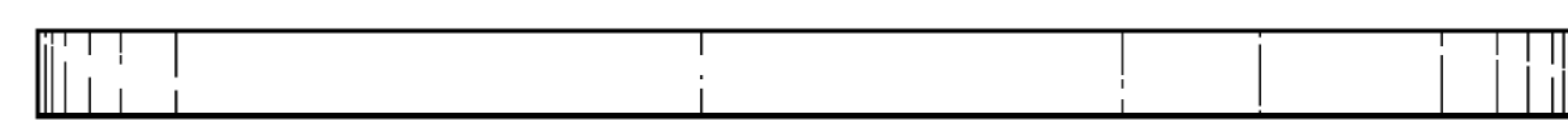


FIG. 4

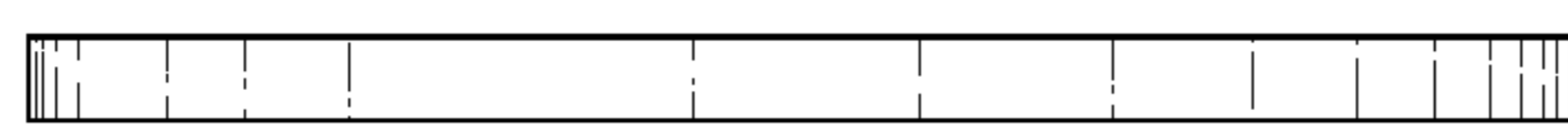


FIG. 5

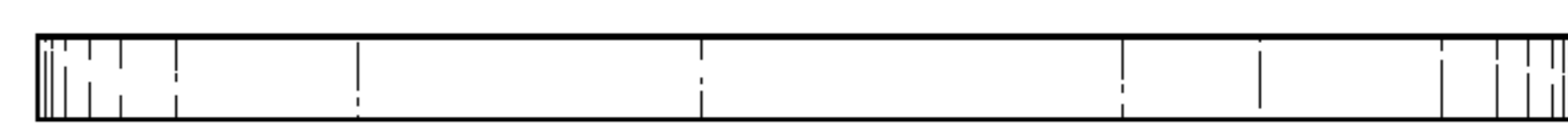


FIG. 6

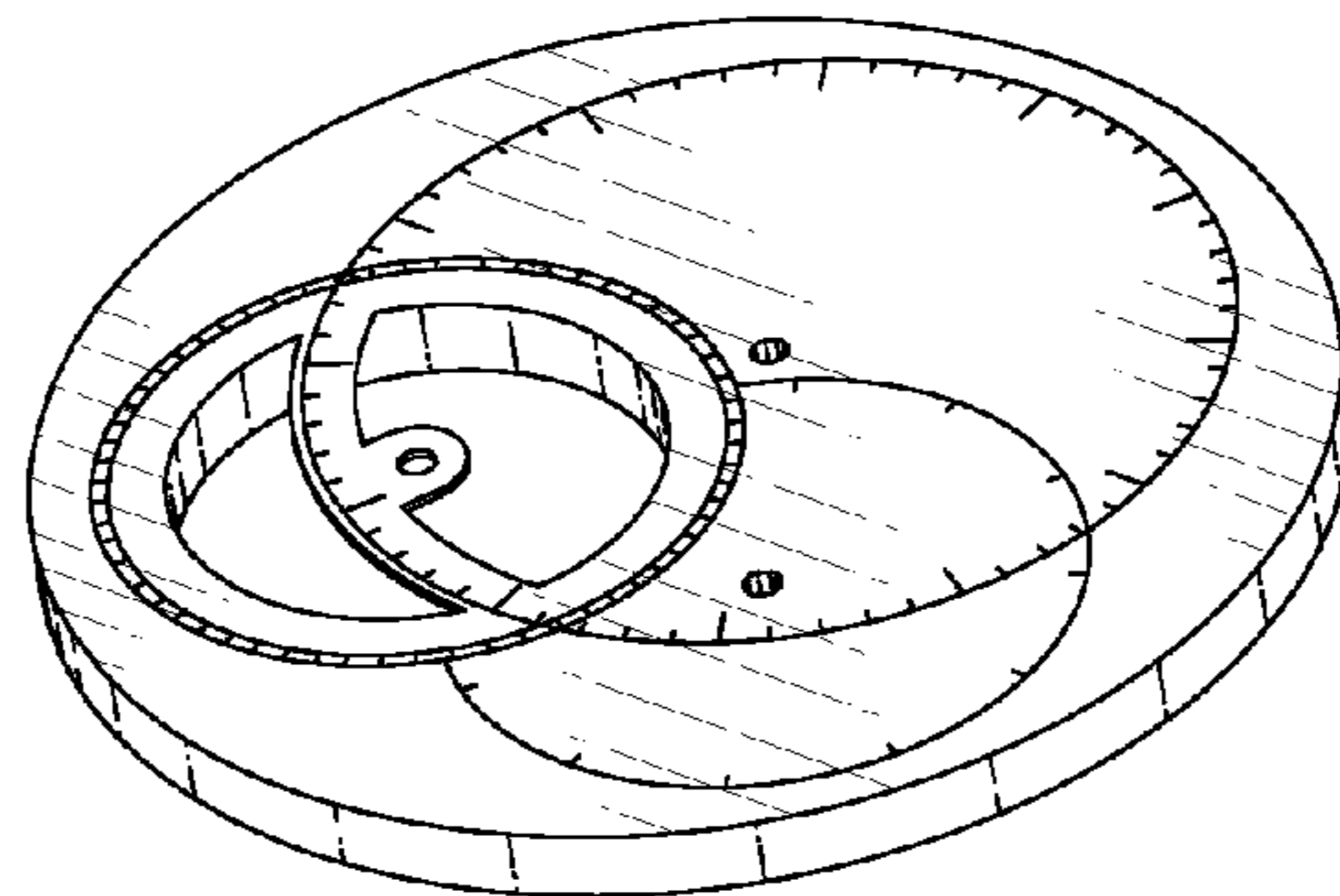


FIG. 7