

US00D665689S

(12) **United States Design Patent**  
**Mettler et al.**

(10) **Patent No.:** **US D665,689 S**

(45) **Date of Patent:** **\*\* Aug. 21, 2012**

(54) **BARRICADE PANEL**

(75) Inventors: **Charles M. Mettler**, Perry, OH (US);  
**Gregory H. Brown**, Stow, OH (US)

(73) Assignee: **Plastic Safety Systems, Inc.**, Cleveland,  
OH (US)

(\*\*) Term: **14 Years**

(21) Appl. No.: **29/396,060**

(22) Filed: **Jun. 24, 2011**

(51) **LOC (9) Cl.** ..... **10-05**

(52) **U.S. Cl.** ..... **D10/113.3**

(58) **Field of Classification Search** ..... D10/109.1,  
D10/113.1, 113.2, 113.3; 116/63 C; 256/19;  
362/152; 404/6; D21/814

See application file for complete search history.

(56) **References Cited**

**U.S. PATENT DOCUMENTS**

D67,696	S *	6/1925	Griswold	.....	D10/114.6
4,298,186	A	11/1981	Glass		
5,195,453	A *	3/1993	McGibbon, II	.....	116/63 C
5,458,434	A	10/1995	Bent et al.		
5,762,444	A	6/1998	Giannelli		
5,860,386	A	1/1999	Schwab et al.		
5,993,103	A	11/1999	Christensen		

D430,255	S *	8/2000	Yates et al.	.....	D21/814
6,237,895	B1	5/2001	Thurston		
7,540,682	B1 *	6/2009	Christensen et al.	.....	404/6
D621,288	S *	8/2010	Cortez et al.	.....	D10/113.2
D621,289	S *	8/2010	Cortez et al.	.....	D10/113.2
2008/0286041	A1 *	11/2008	Yodock et al.	.....	404/6
2011/0103044	A1 *	5/2011	Quintanilla I Gonzalez	.	362/152
2011/0163287	A1 *	7/2011	Massameno	.....	256/19
2011/0220010	A1 *	9/2011	Klein et al.	.....	116/63 C

\* cited by examiner

*Primary Examiner* — George D Kirschbaum

(74) *Attorney, Agent, or Firm* — Renner, Otto, Boisselle & Sklar, LLP

(57) **CLAIM**

The ornamental design for a barricade panel, as shown and described.

**DESCRIPTION**

FIG. 1 is a front perspective view of a barricade panel showing our new design.

FIG. 2 is a rear perspective view thereof.

FIG. 3 is a front view thereof.

FIG. 4 is a back view thereof.

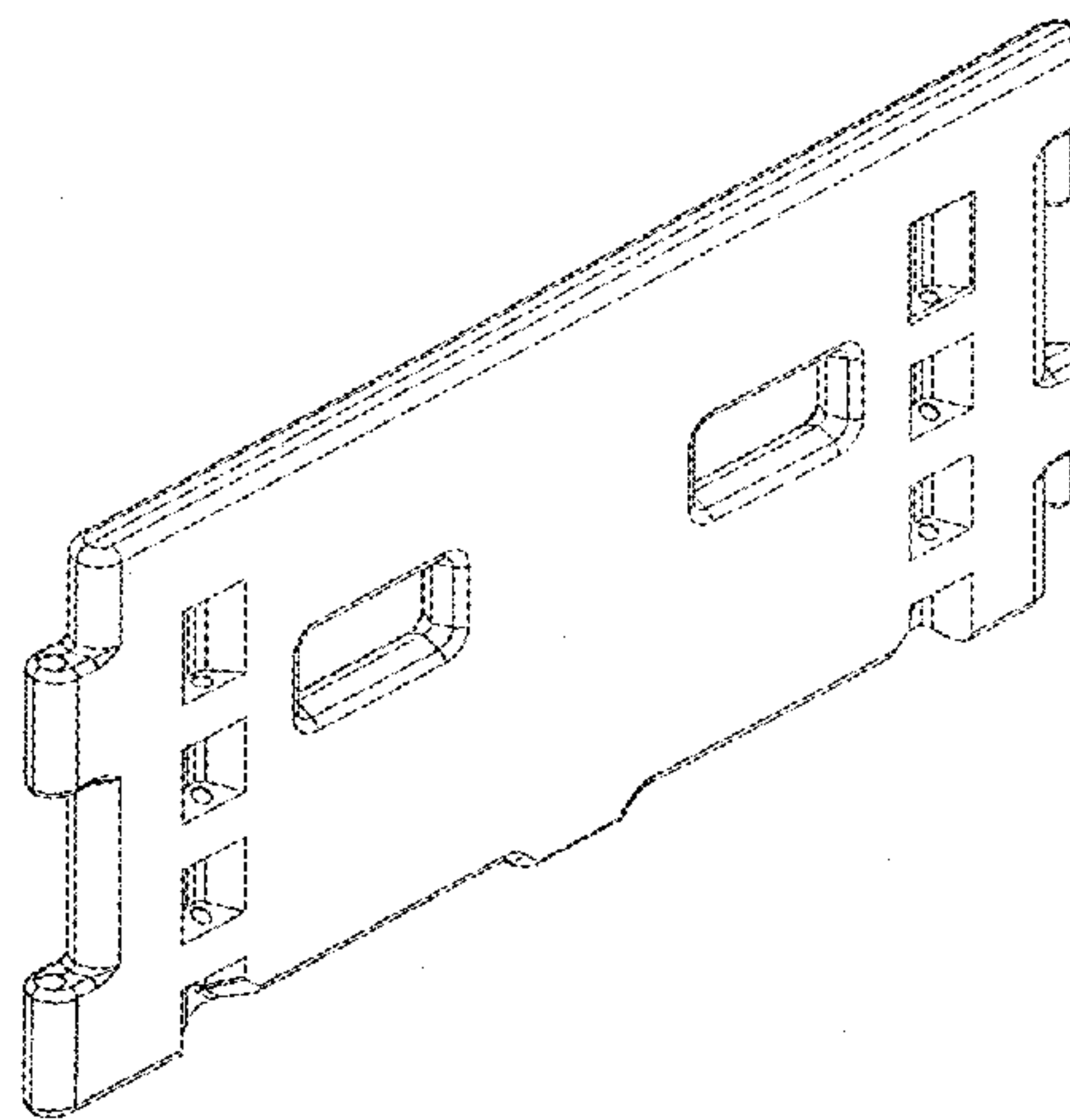
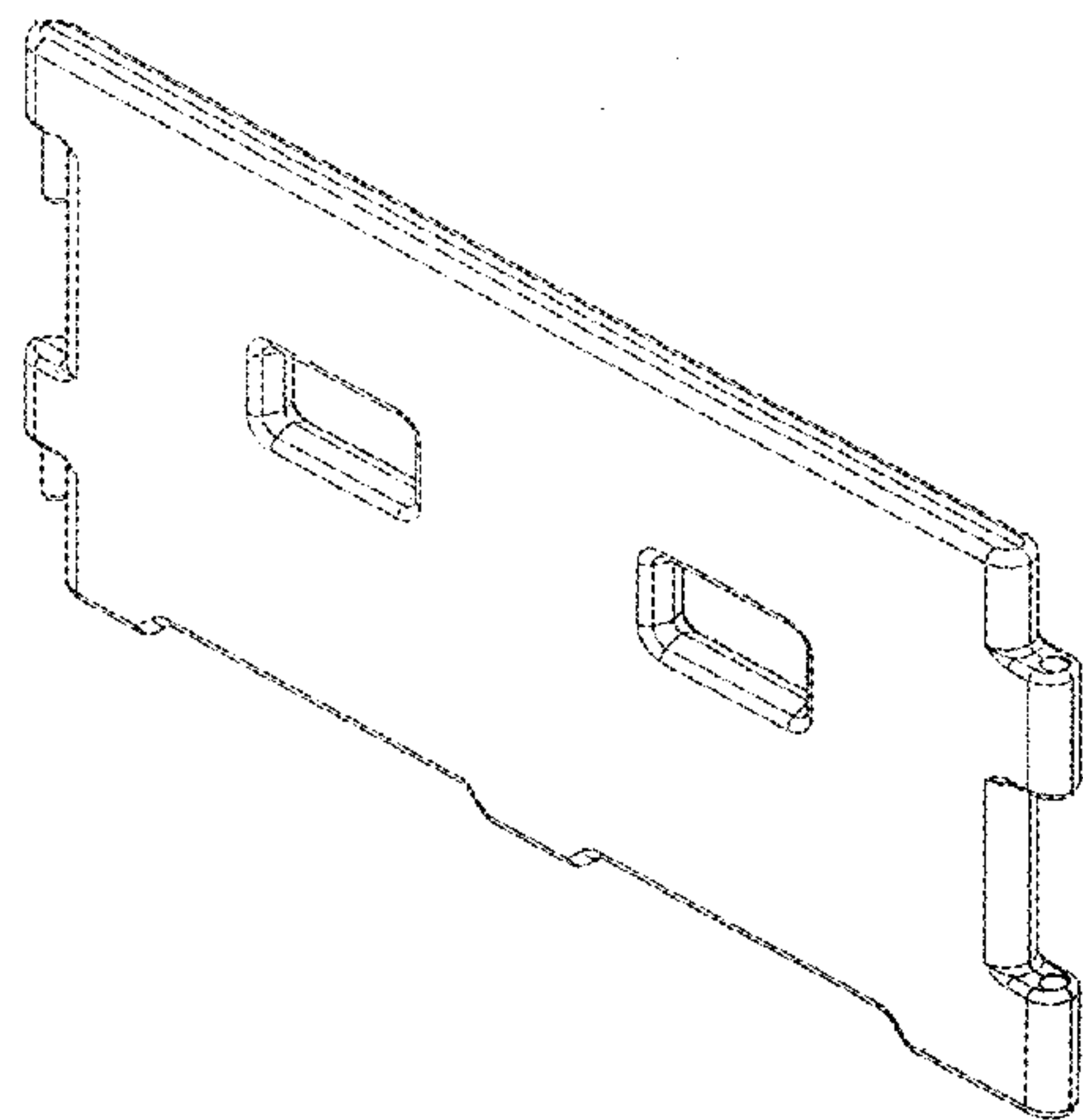
FIG. 5 is a top view of FIG. 3.

FIG. 6 is a bottom view of FIG. 3.

FIG. 7 is a left side view of FIG. 3; and,

FIG. 8 is a right side view of FIG. 3.

**1 Claim, 6 Drawing Sheets**



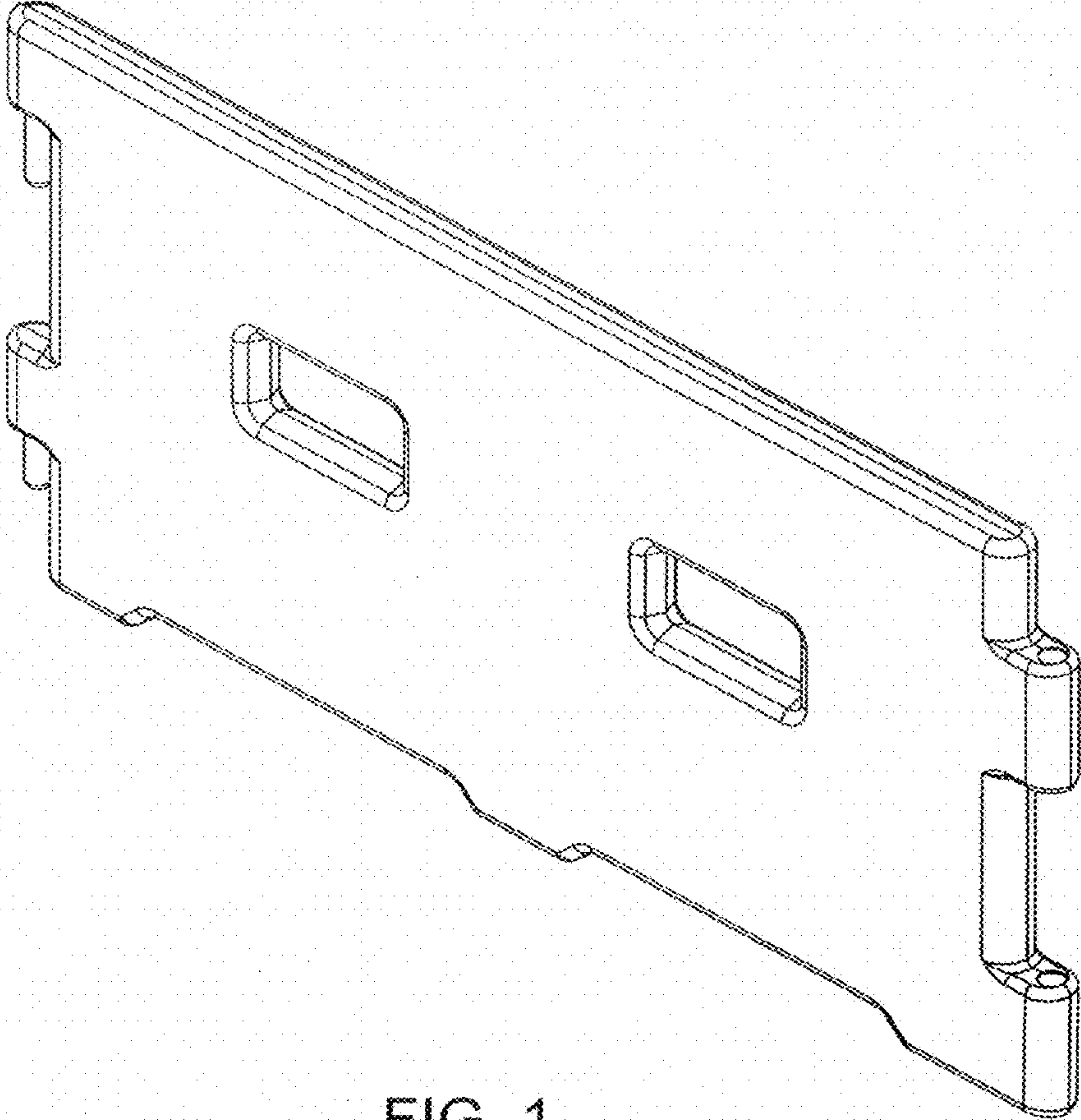
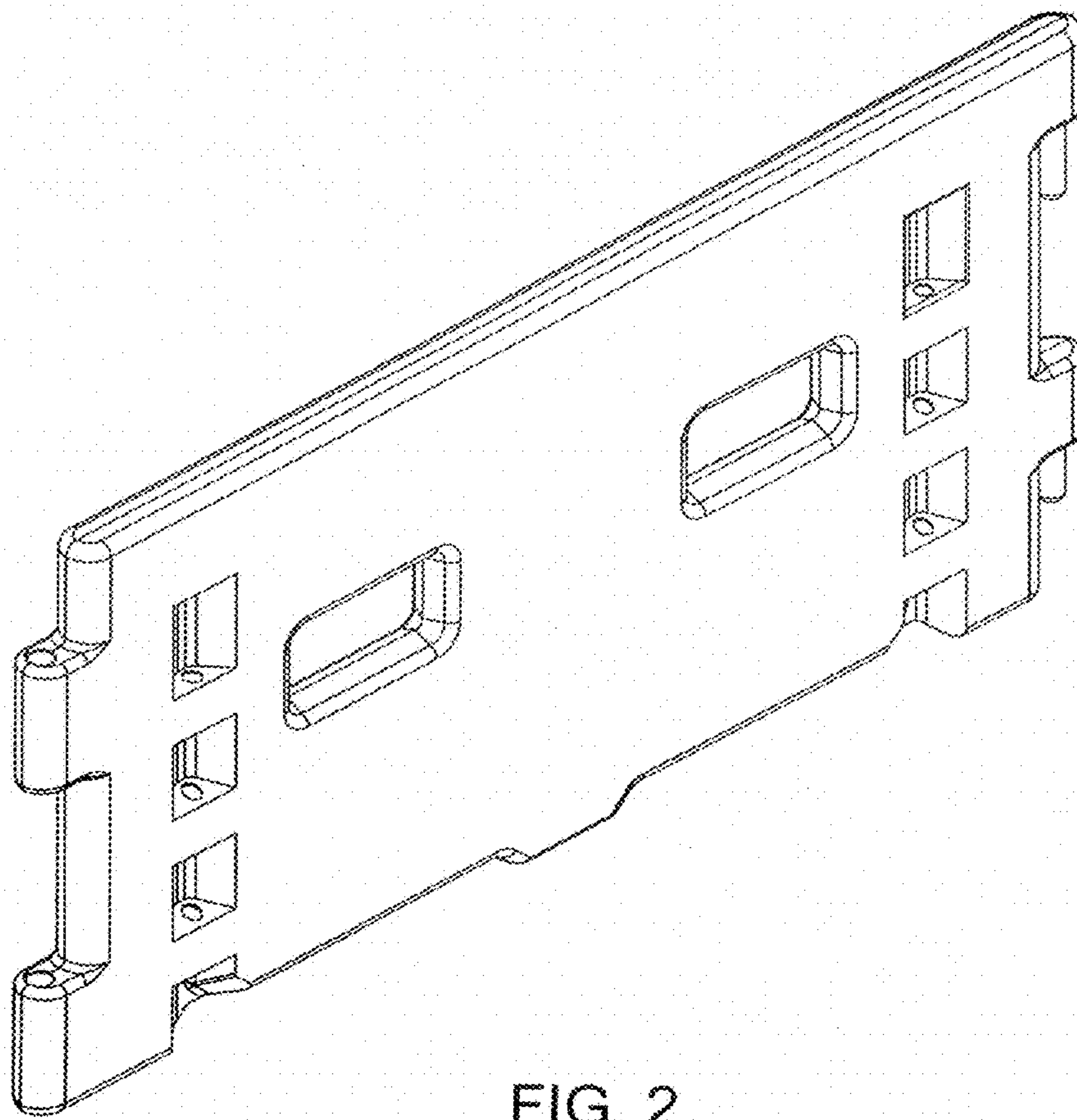


FIG. 1



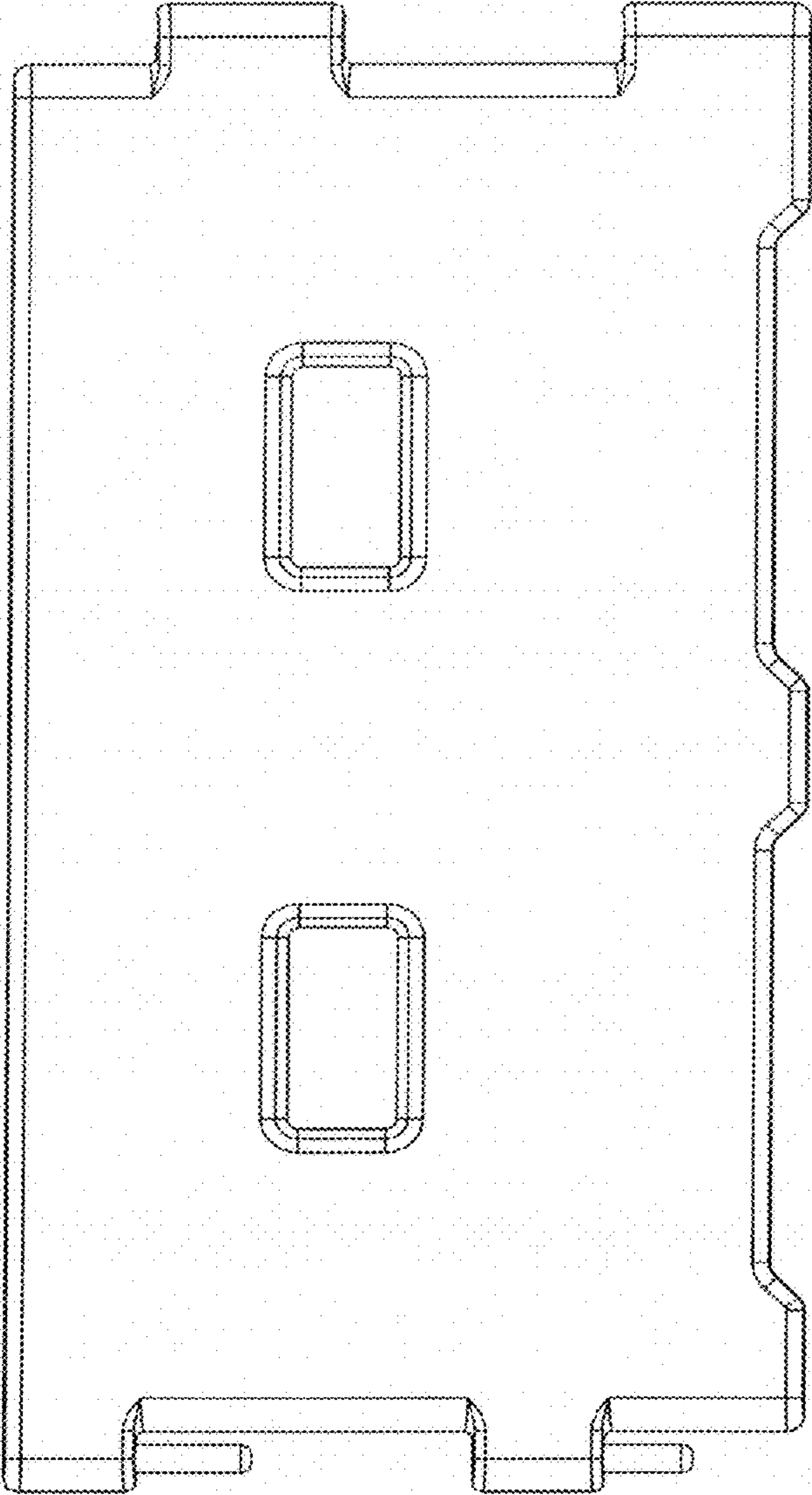


FIG. 3



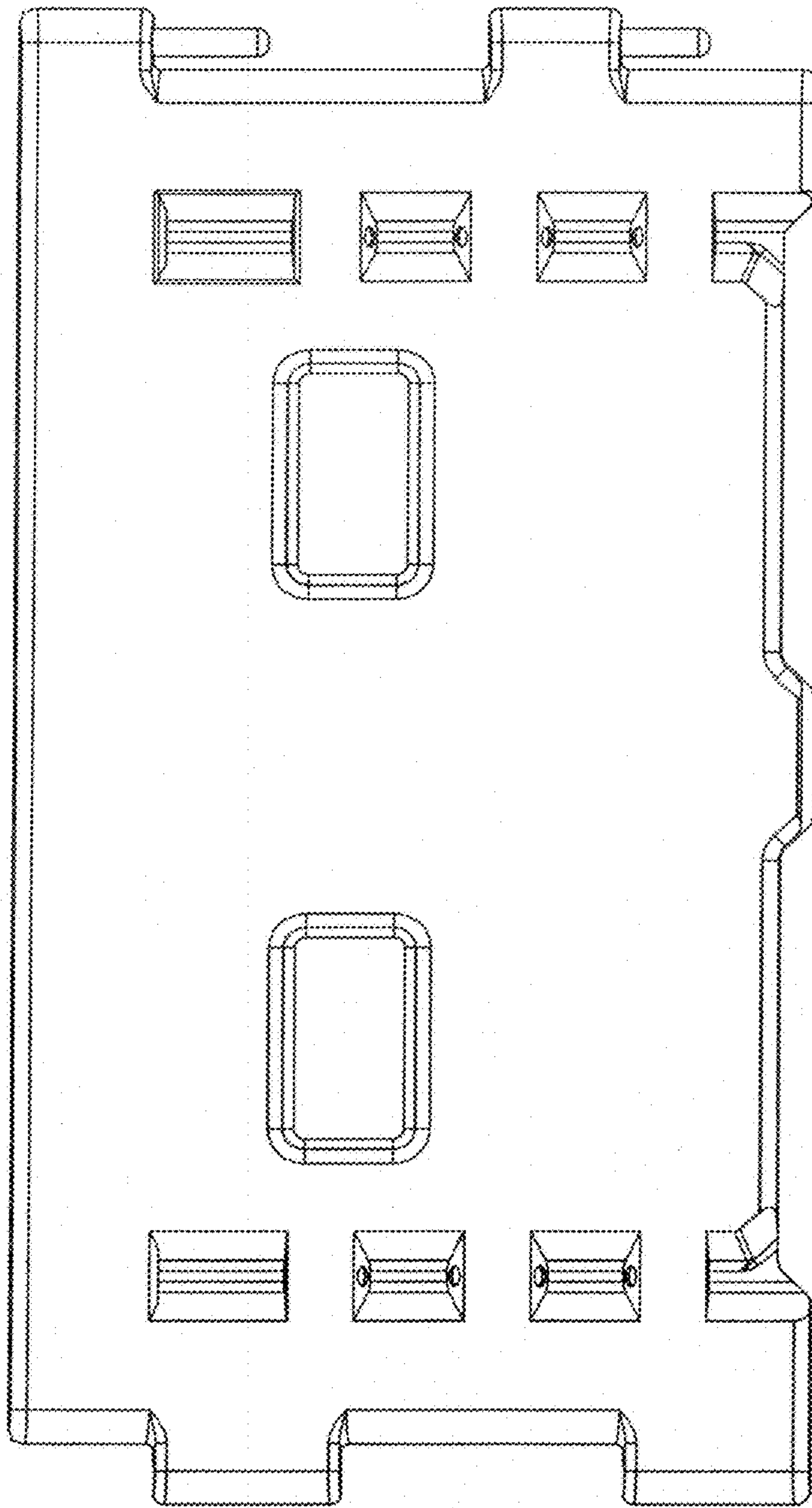


FIG. 4

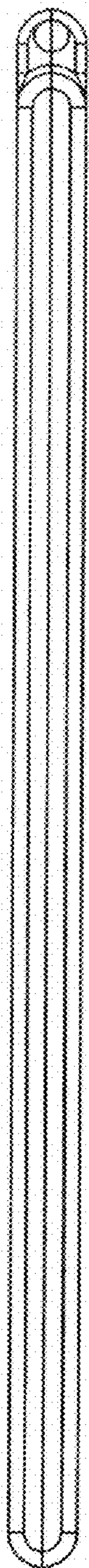


FIG. 5

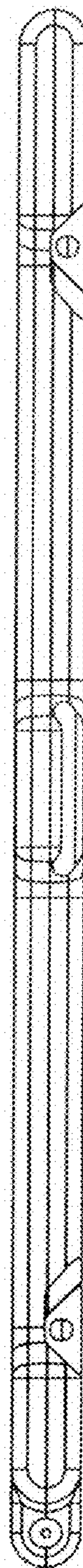


FIG. 6

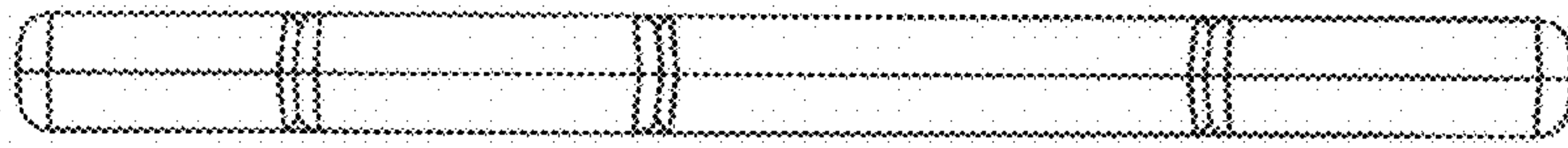


FIG. 8

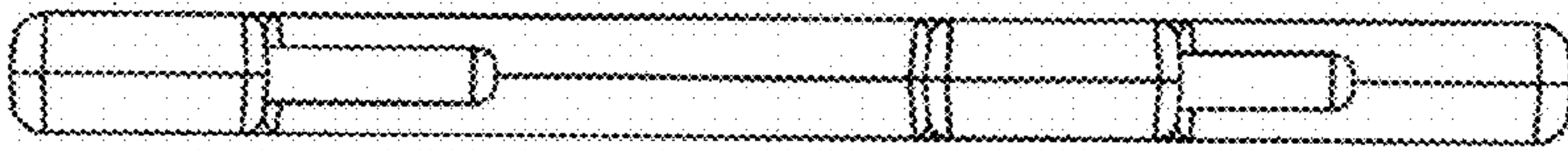


FIG. 7