

US00D665687S

(12) **United States Design Patent**
Lee et al.

(10) **Patent No.:** **US D665,687 S**

(45) **Date of Patent:** **** Aug. 21, 2012**

(54) **ELEVATOR INDICATOR**

(75) Inventors: **Se Heon Lee**, Gunpo (KR); **Han Woo Lee**, Guri (KR)

(73) Assignee: **Otis Elevator Company**, Farmington, CT (US)

(**) Term: **14 Years**

(21) Appl. No.: **29/402,477**

(22) Filed: **Sep. 23, 2011**

(30) **Foreign Application Priority Data**

May 16, 2011 (KR) 30-2011-0019716

(51) **LOC (9) Cl.** **10-05**

(52) **U.S. Cl.** **D10/108**

(58) **Field of Classification Search** D10/108;
D13/174, 175, 162, 162.1, 164; D14/371,
D14/383, 388-390, 198, 247, 307; D18/6-7,
D18/24-32; 40/541; 187/396-397, 389-391,
187/380; D20/10; D6/470, 314

See application file for complete search history.

(56) **References Cited**

U.S. PATENT DOCUMENTS

D268,026 S * 2/1983 Bevilaqua et al. D13/164
D268,668 S * 4/1983 Bevilaqua et al. D13/164
D289,291 S * 4/1987 Kapper D14/389

D308,364 S * 6/1990 Beasley et al. D14/389
D370,355 S * 6/1996 Kenney D6/314
D435,270 S * 12/2000 Healy D20/10
D439,244 S * 3/2001 Conley D14/247
D451,603 S * 12/2001 Bastyr et al. D24/186
D452,234 S * 12/2001 Russell et al. D14/247
D479,659 S * 9/2003 Fleckenstein et al. D6/470
D518,480 S * 4/2006 Zheng et al. D14/307
D589,829 S * 4/2009 Friedli D10/108
D589,831 S * 4/2009 Friedli D10/108
D589,832 S * 4/2009 Ogura et al. D10/108
D601,052 S * 9/2009 Friedli D10/108

* cited by examiner

Primary Examiner — George D Kirschbaum

(74) *Attorney, Agent, or Firm* — Carlson, Gaskey & Olds PC

(57) **CLAIM**

We claim the ornamental design of an elevator indicator, as shown and described.

DESCRIPTION

FIG. 1 is a perspective view of an elevator indicator including two information displays.

FIG. 2 is a front view of the elevator indicator of FIG. 1.

FIG. 3 is a top view of the elevator indicator of FIG. 1.

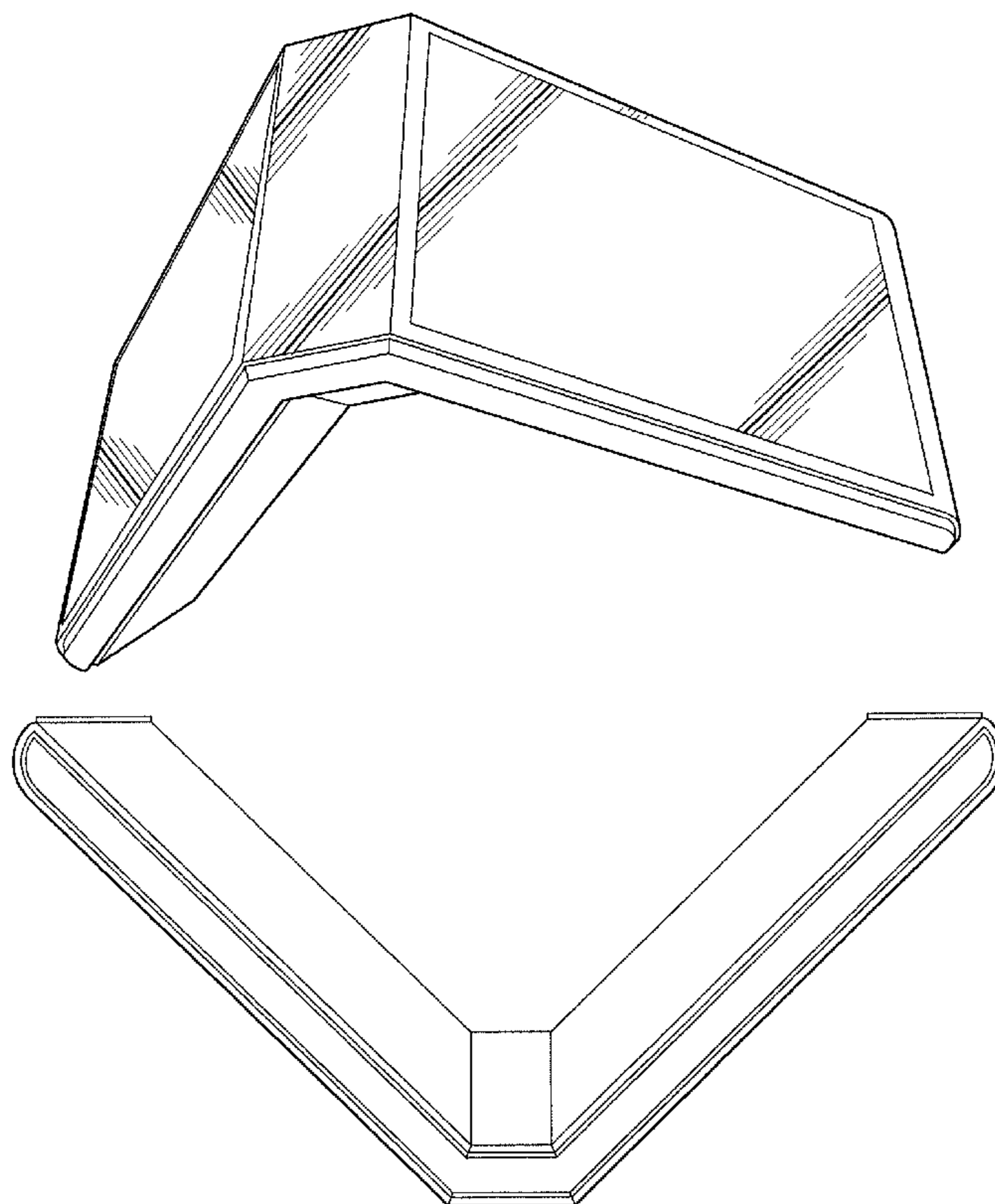
FIG. 4 is a bottom view of the elevator indicator of FIG. 1.

FIG. 5 is a rear view of the elevator indicator of FIG. 1.

FIG. 6 is a left side view of the elevator indicator of FIG. 1; and,

FIG. 7 is a right side view of the elevator indicator of FIG. 1.

1 Claim, 2 Drawing Sheets



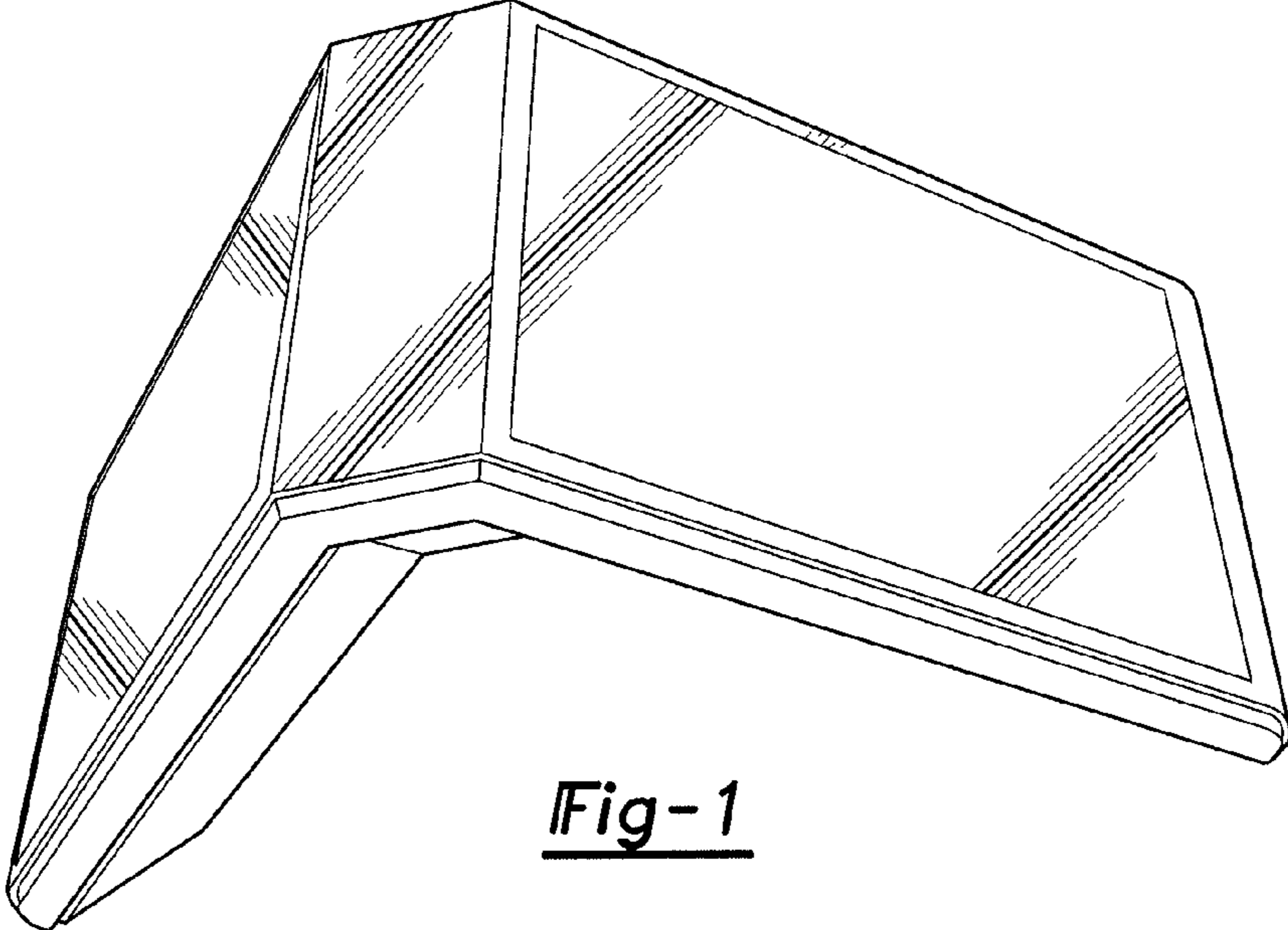


Fig-1

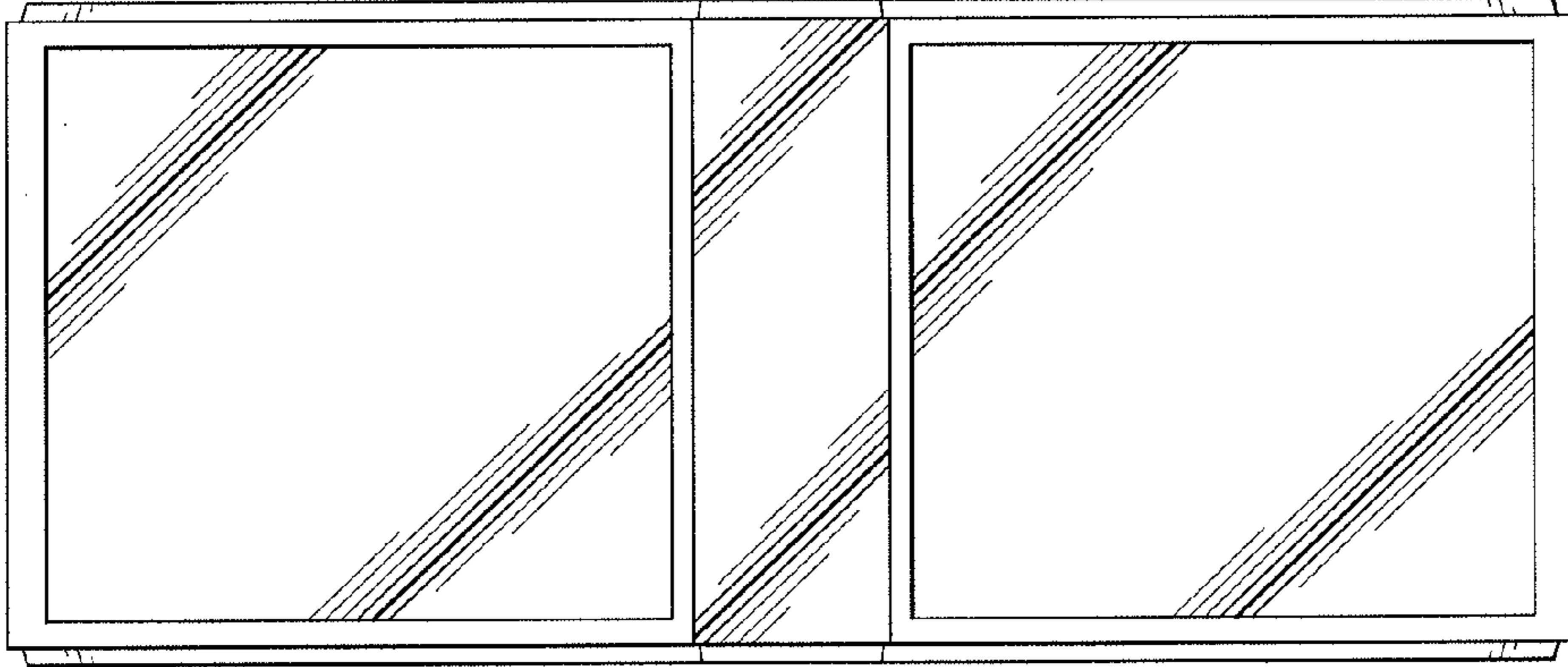


Fig-2

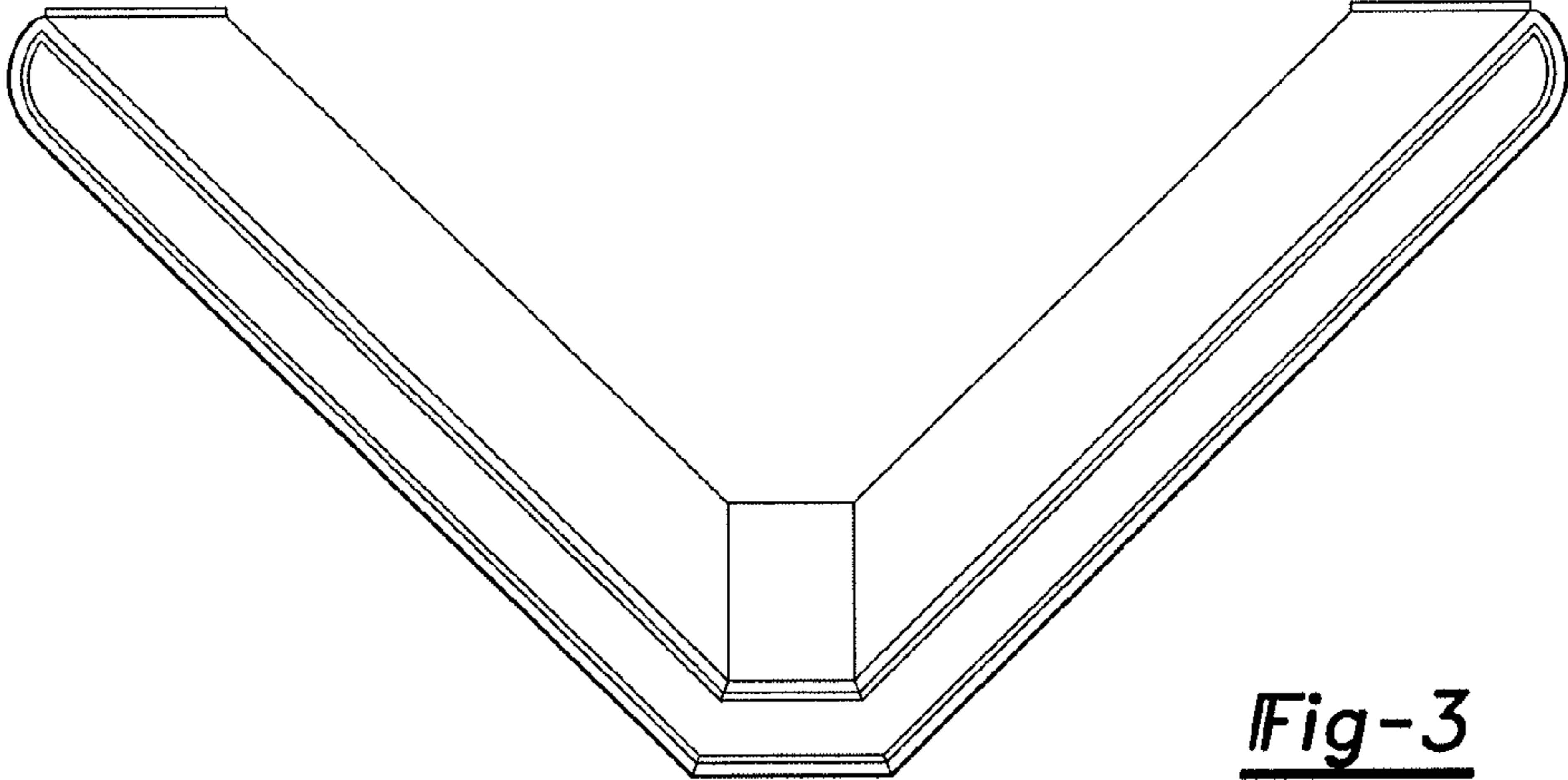


Fig-3

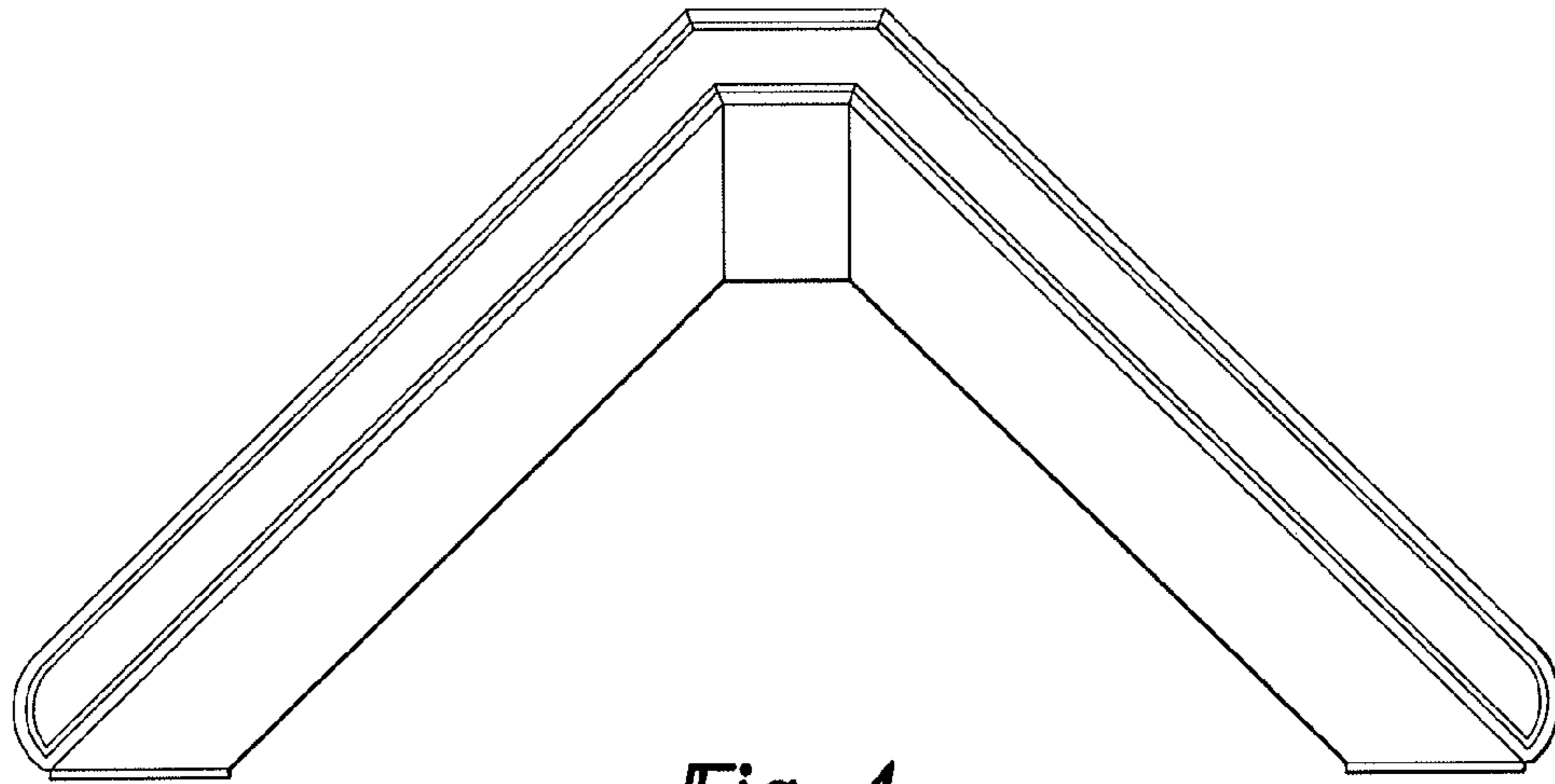


Fig-4

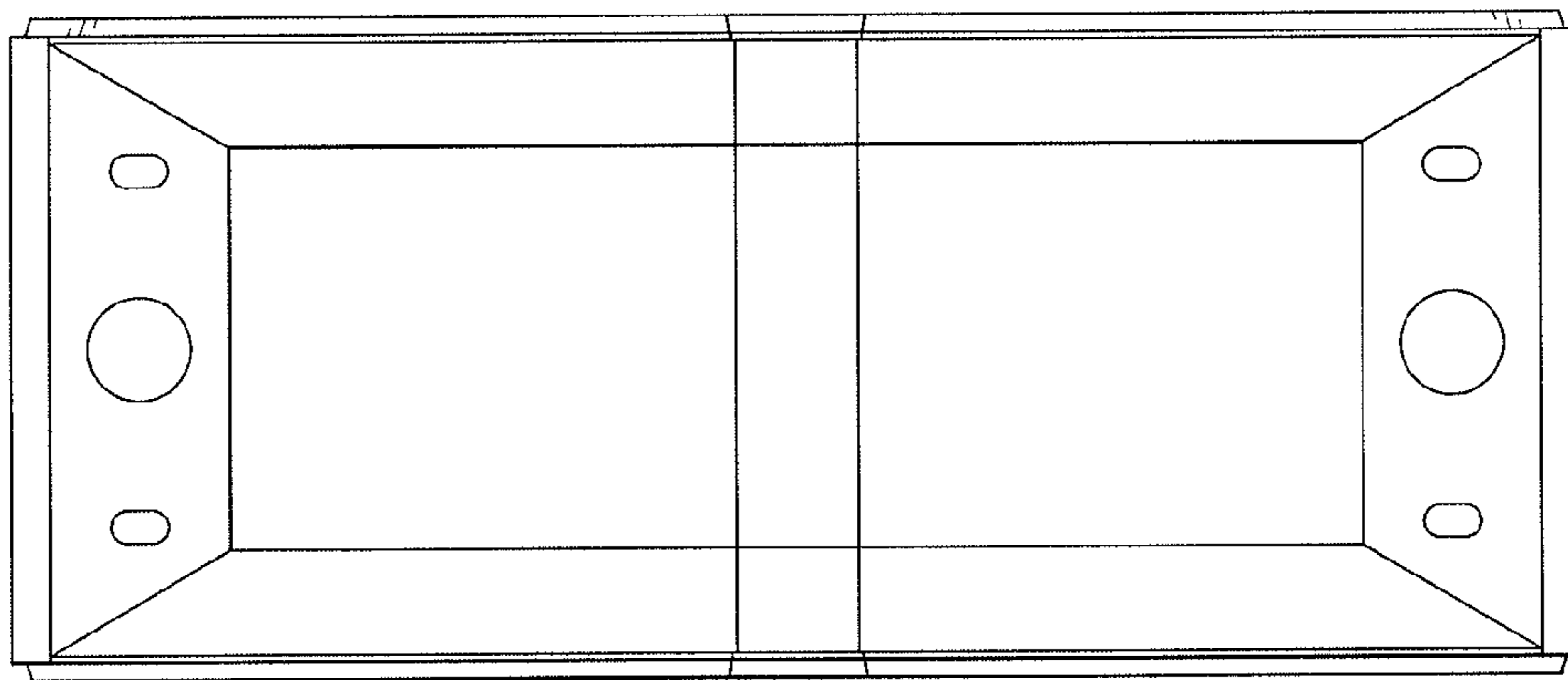


Fig-5

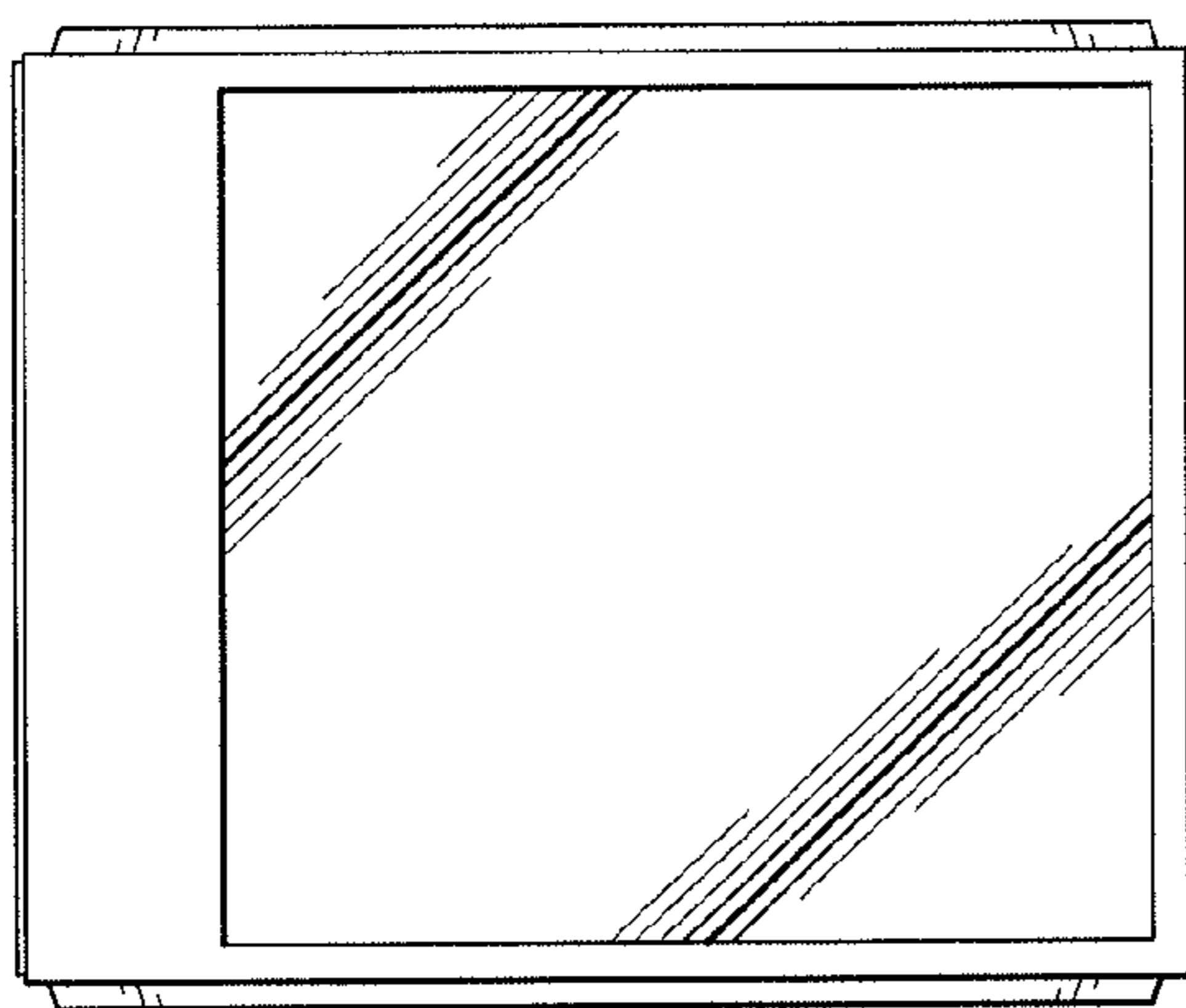


Fig-6

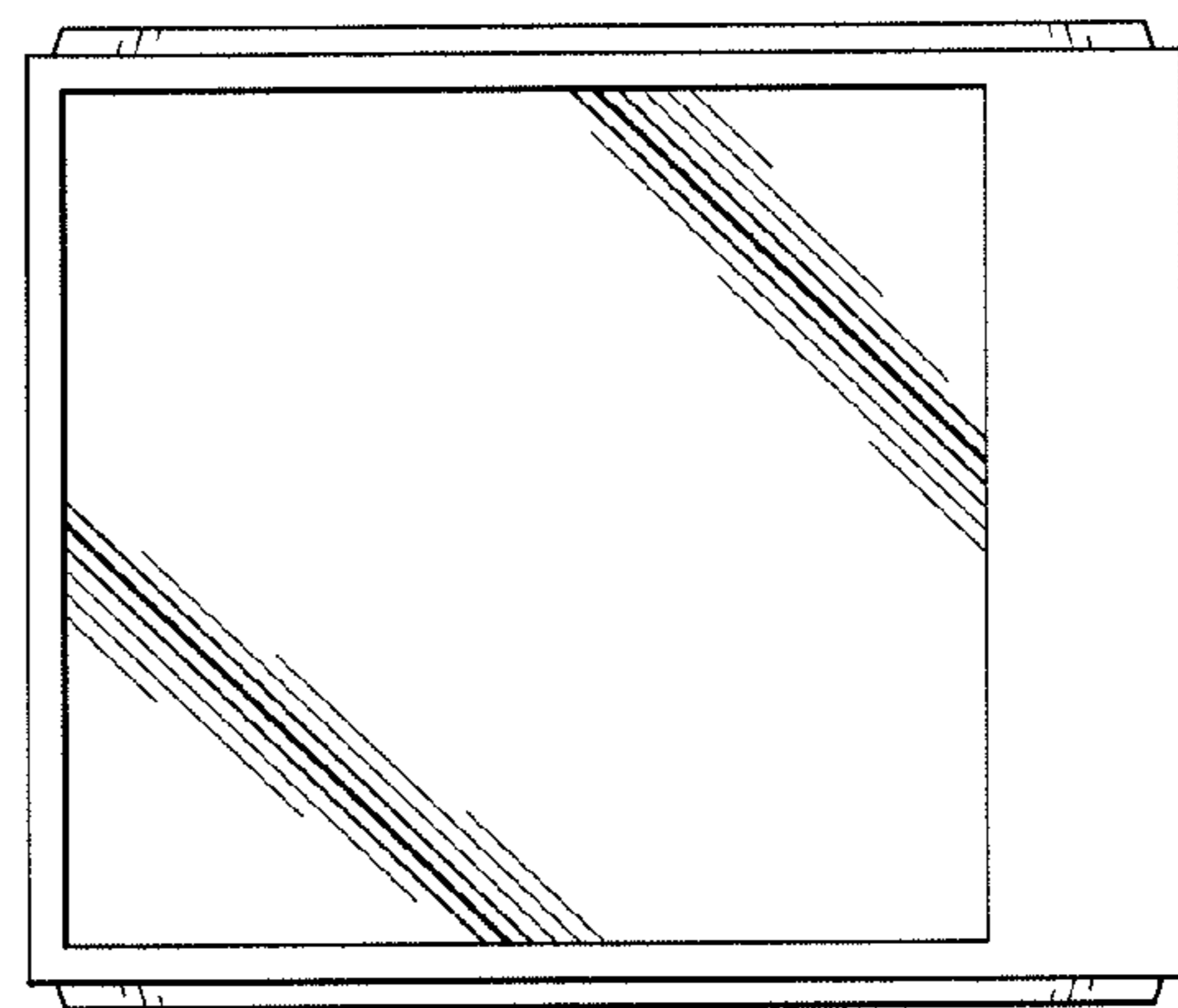


Fig-7