

US00D665681S

(12) **United States Design Patent**  
**Nishimoto**

(10) **Patent No.:** **US D665,681 S**

(45) **Date of Patent:** **\*\* Aug. 21, 2012**

(54) **CARTRIDGE FOR AN ION DENSITY MEASURING INSTRUMENT**

(75) Inventor: **Hideaki Nishimoto**, Fukuoka (JP)

(73) Assignee: **Hitachi Chemical Company, Ltd.**, Tokyo (JP)

(\*\*) Term: **14 Years**

(21) Appl. No.: **29/385,955**

(22) Filed: **Feb. 23, 2011**

(30) **Foreign Application Priority Data**

Aug. 23, 2010 (JP) ..... D2010-020325

(51) **LOC (9) Cl.** ..... **10-04**

(52) **U.S. Cl.** ..... **D10/81**

(58) **Field of Classification Search** ..... D10/81;  
216/61; 257/396; 438/8, 14, 706, 714  
See application file for complete search history.

(56) **References Cited**

**U.S. PATENT DOCUMENTS**

6,656,752 B1 \* 12/2003 Mise et al. .... 438/14  
D522,145 S \* 5/2006 Best et al. .... D10/81  
D634,659 S \* 3/2011 Kadota ..... D10/81

**OTHER PUBLICATIONS**

Co-pending U.S. Appl. No. 29/385,944, filed Feb. 23, 2011,  
Nishimoto et al.

Co-pending U.S. Appl. No. 29/385,949, filed Feb. 23, 2011,  
Nishimoto et al.

Co-pending U.S. Appl. No. 29/385,952, filed Feb. 23, 2011,  
Nishimoto et al.

Notice of Allowance of U.S. Appl. No. 29/385,944 dated Apr. 3,  
2012.

\* cited by examiner

*Primary Examiner* — Antoine D Davis

(74) *Attorney, Agent, or Firm* — Antonelli, Terry, Stout &  
Kraus, LLP.

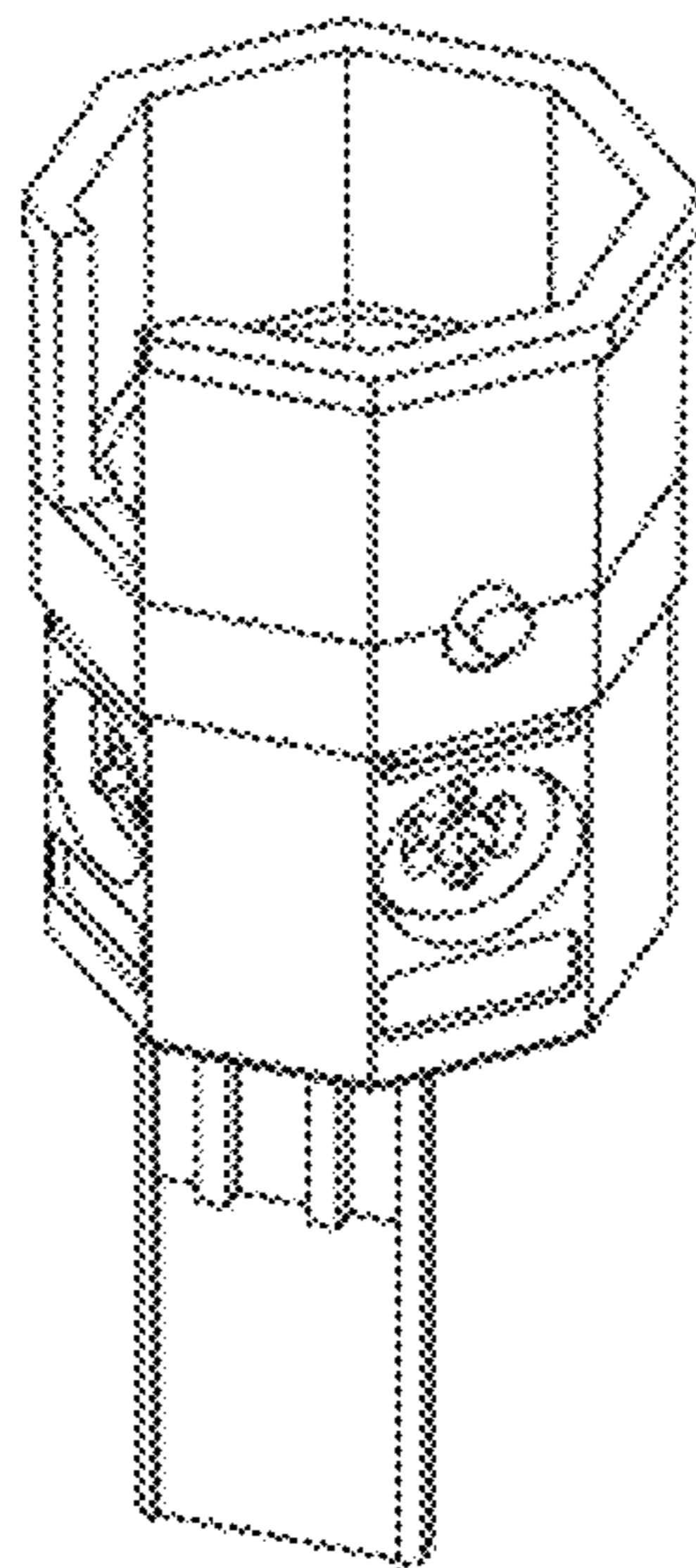
(57) **CLAIM**

The ornamental design for cartridge for an ion density mea-  
suring instrument, as shown.

**DESCRIPTION**

FIG. 1 is a front elevational view of a cartridge for an ion  
density measuring instrument showing my new design;  
FIG. 2 is a rear elevational view thereof;  
FIG. 3 is a top plan view thereof;  
FIG. 4 is a bottom plan view thereof;  
FIG. 5 is a right side elevational view thereof; and,  
FIG. 6 is a left side elevational view thereof; and  
FIG. 7 is a top, left and front side perspective view thereof;  
and,  
FIG. 8 is a bottom, right and front side perspective view  
thereof.

**1 Claim, 8 Drawing Sheets**



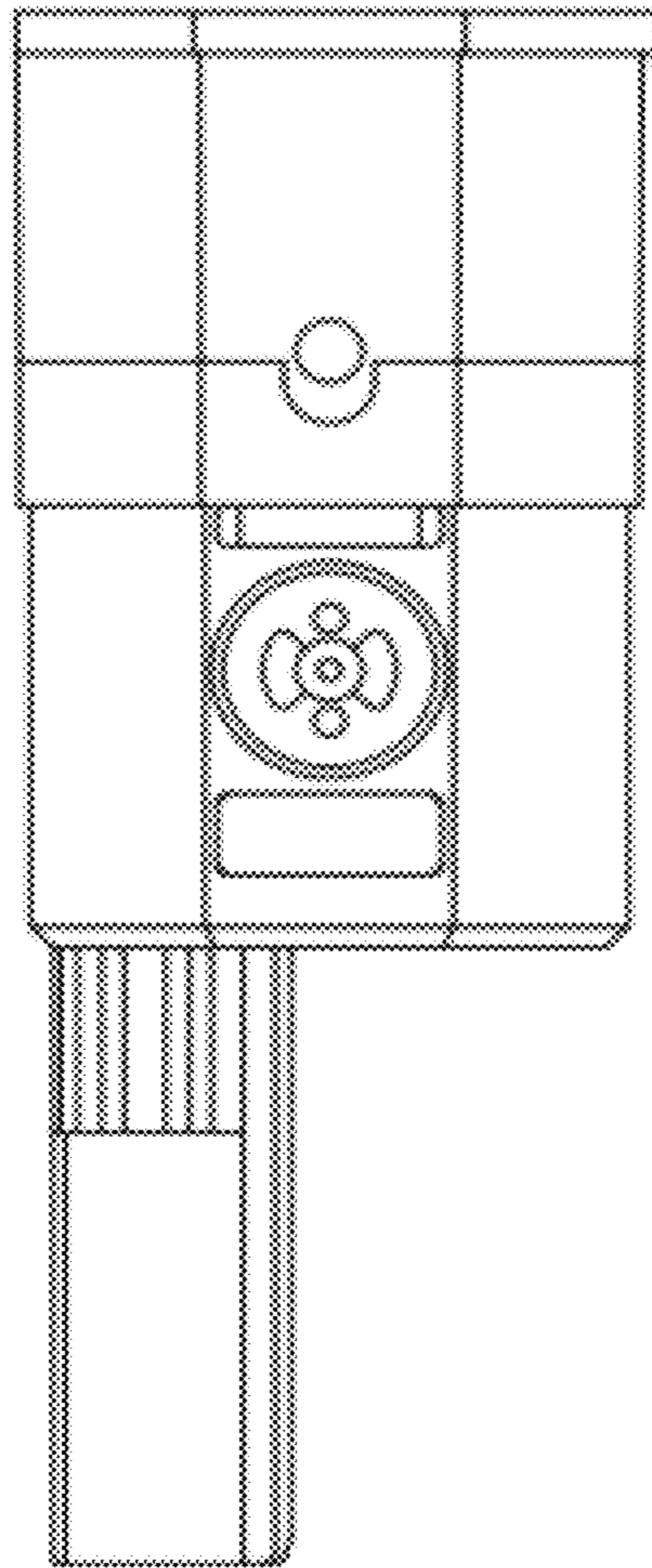


FIG. 1

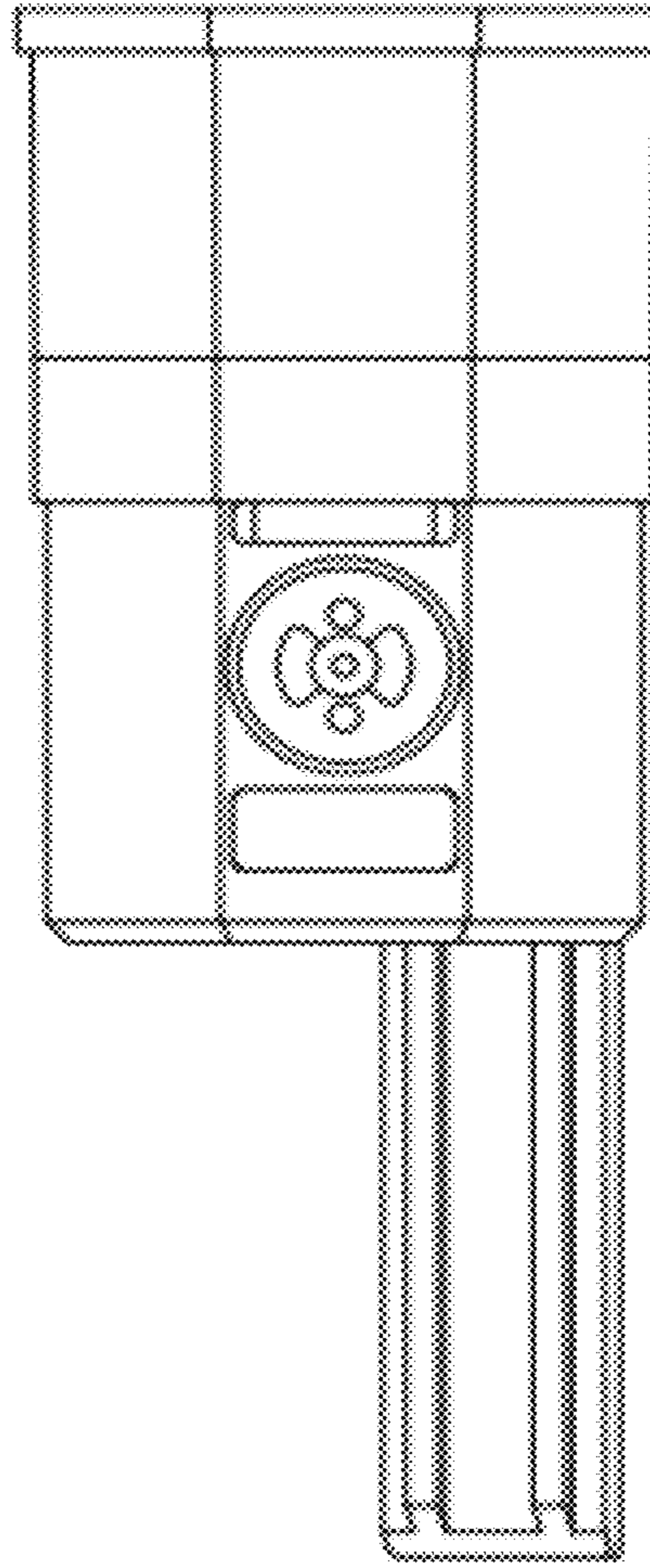


FIG. 2

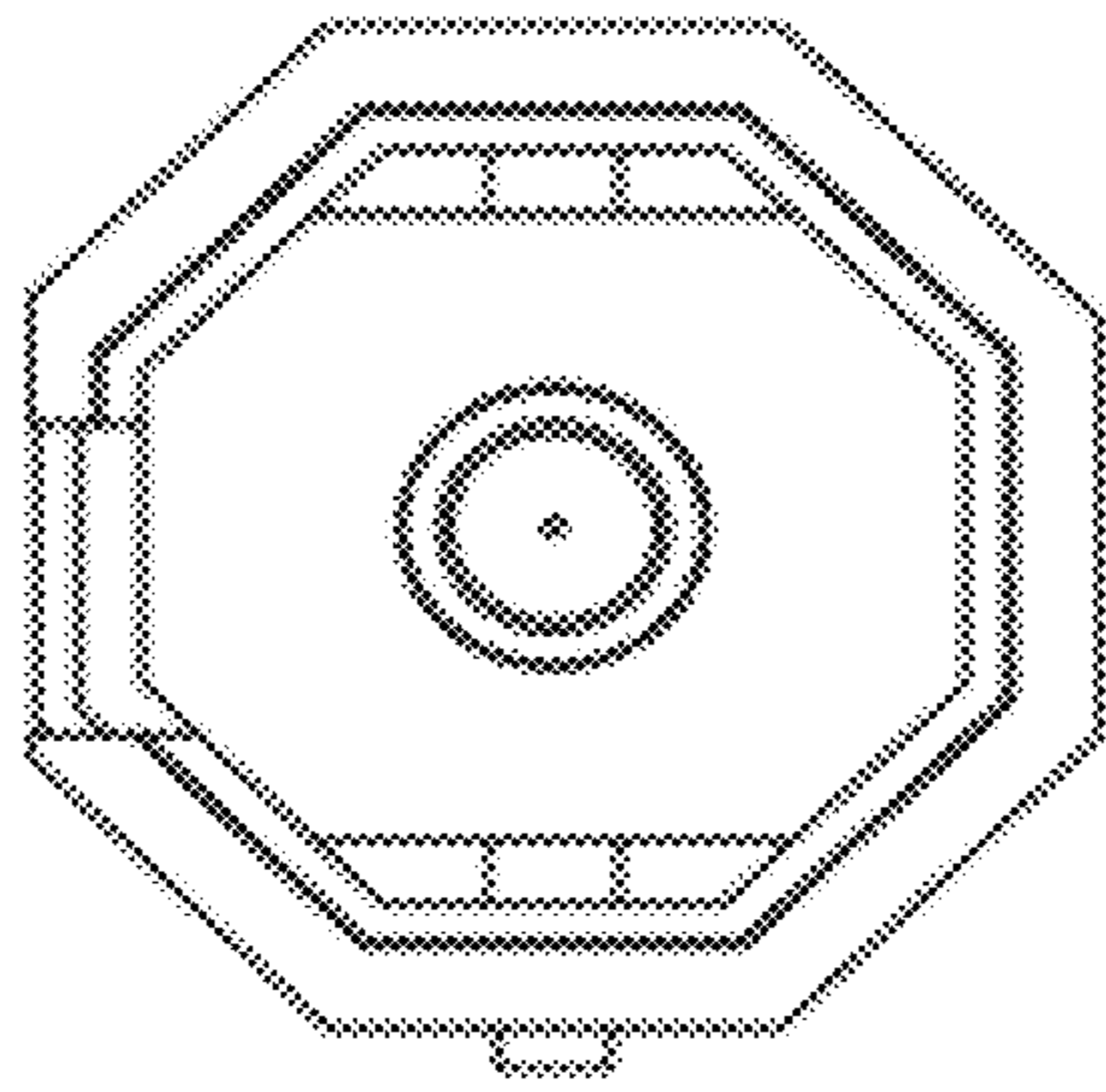


FIG. 3

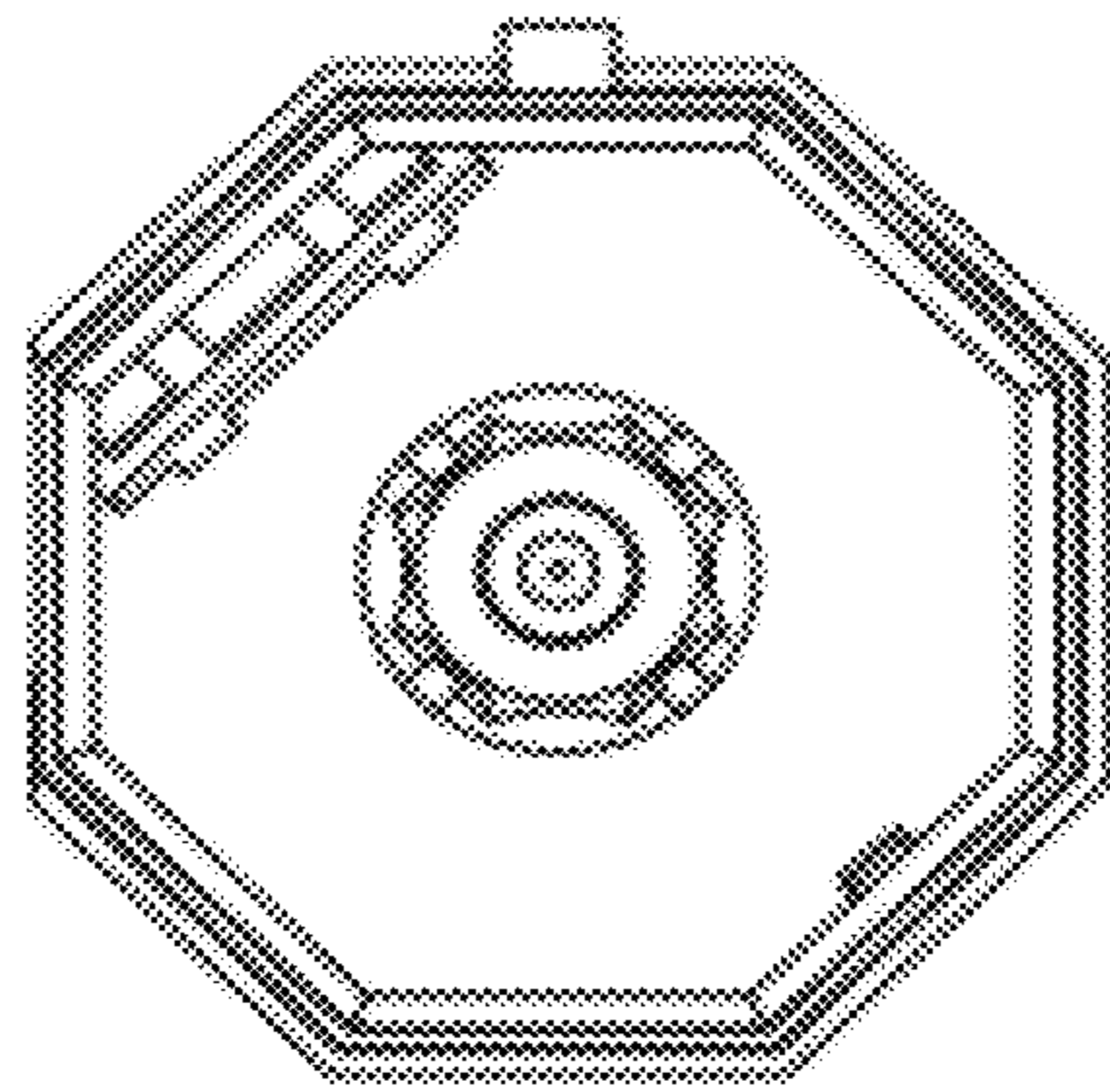


FIG. 4

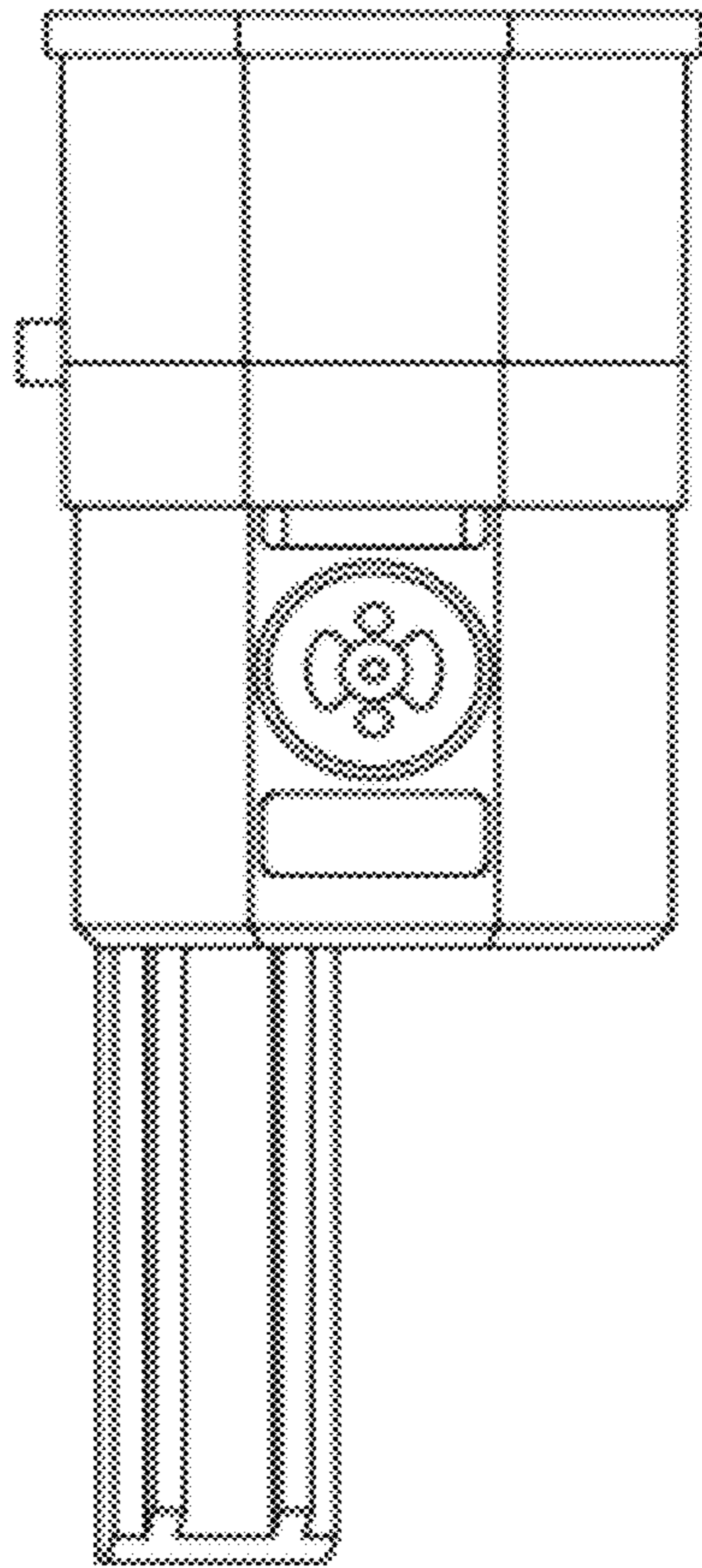


FIG. 5

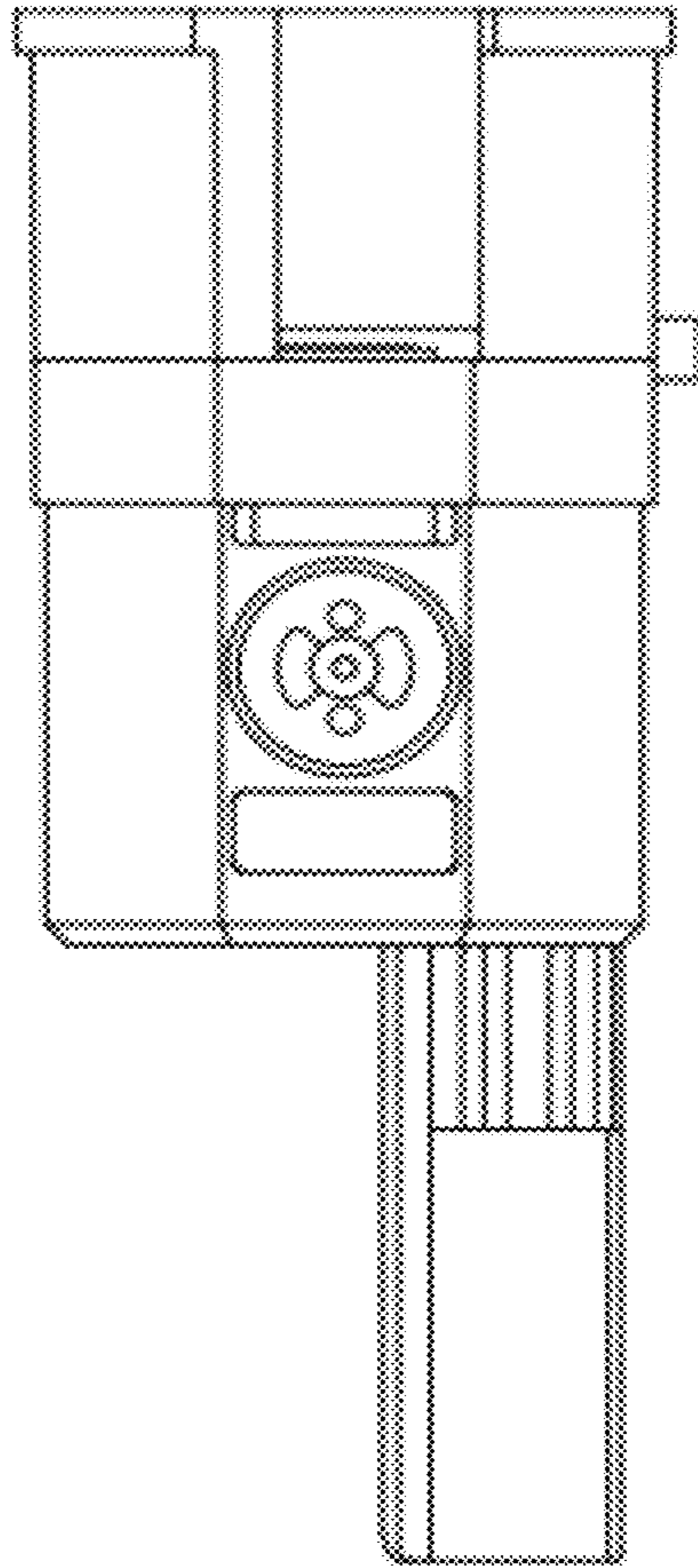


FIG. 6

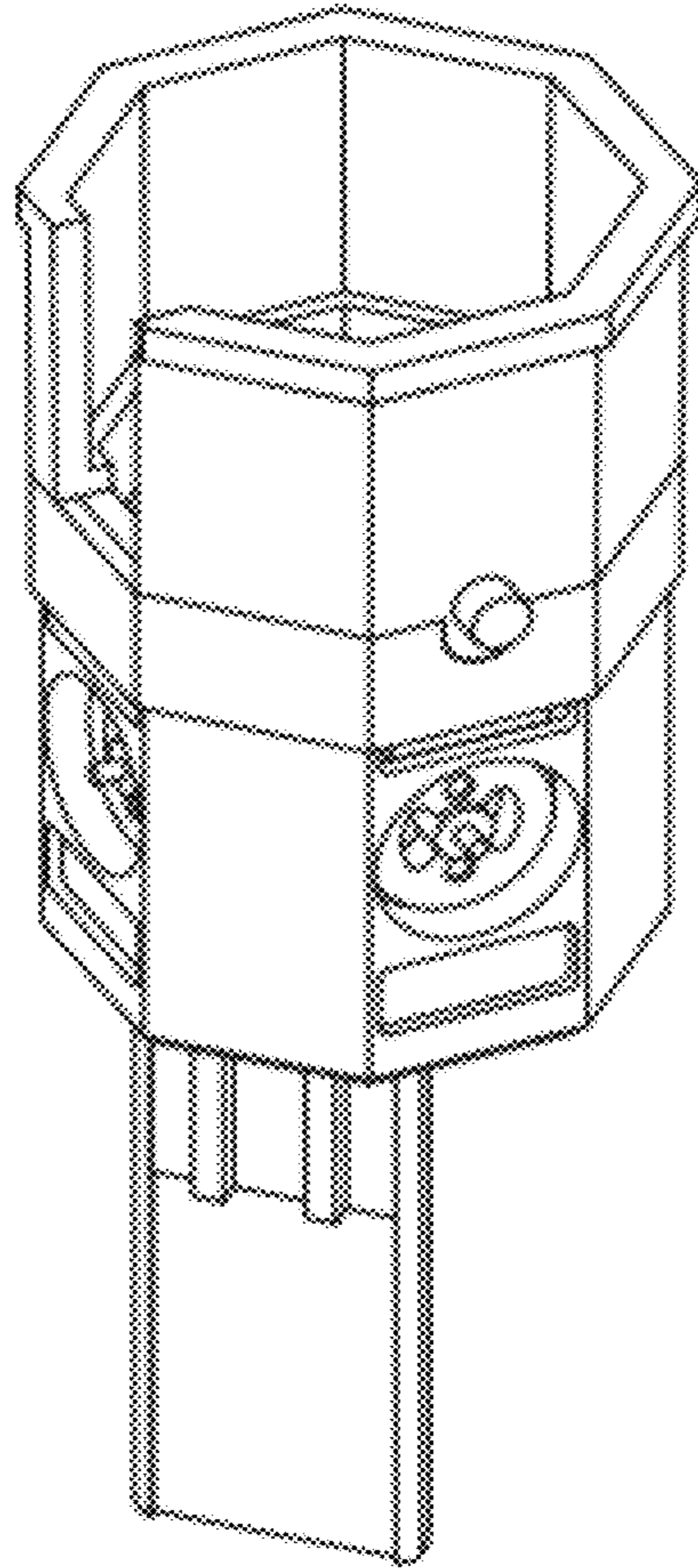


FIG. 7



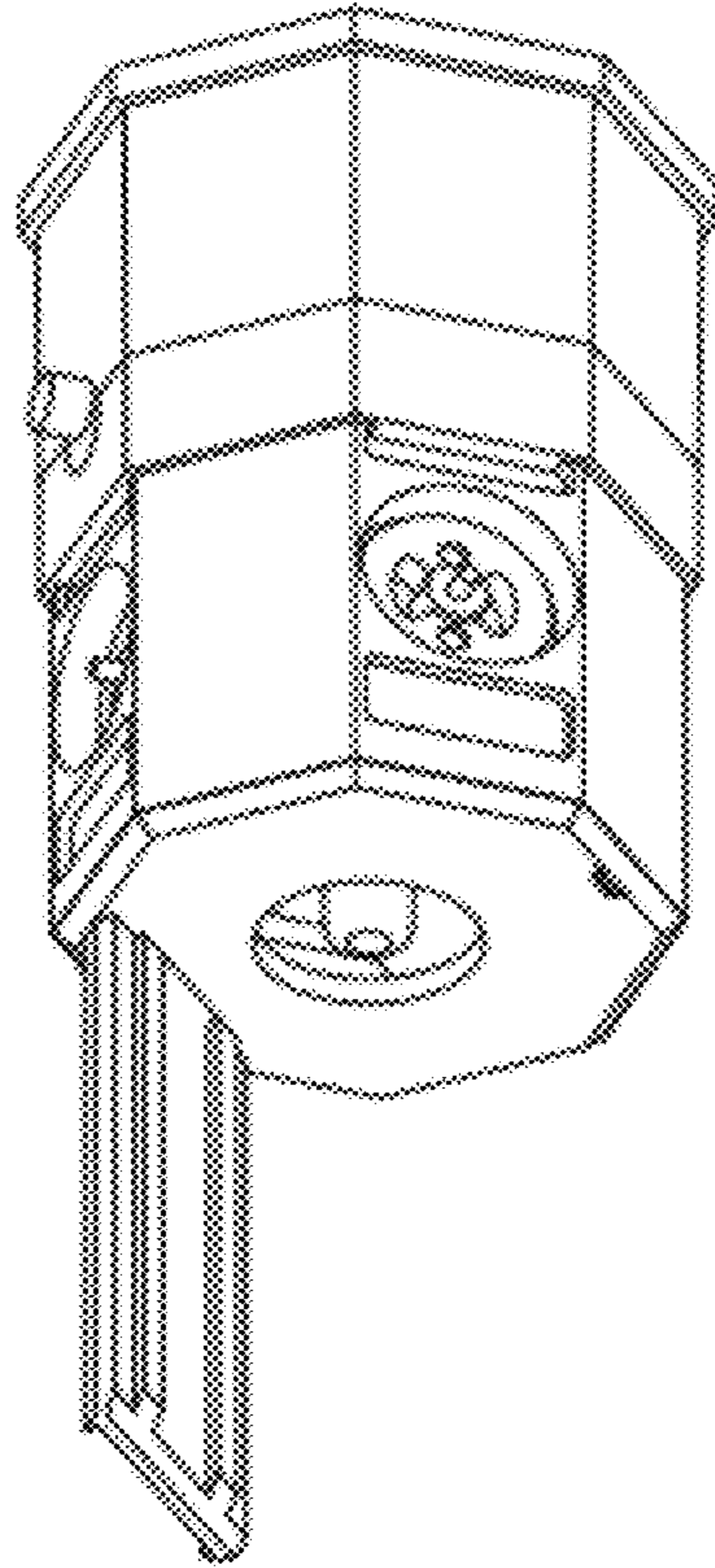


FIG. 8