



US00D665678S

(12) **United States Design Patent**
Ranzau

(10) **Patent No.:** **US D665,678 S**

(45) **Date of Patent:** **** Aug. 21, 2012**

(54) **BOW MAKING TEMPLATE**

(76) Inventor: **Karyn E. Ranzau**, Louisville, KY (US)

(**) Term: **14 Years**

(21) Appl. No.: **29/397,453**

(22) Filed: **Jul. 15, 2011**

(51) **LOC (9) Cl.** **10-04**

(52) **U.S. Cl.** **D10/64**

(58) **Field of Classification Search** D10/64;
33/562-566; 68/147; 223/46; D3/26; 28/150;
428/4, 11

See application file for complete search history.

(56) **References Cited**

U.S. PATENT DOCUMENTS

3,021,038	A *	2/1962	Dean	223/46
4,651,908	A *	3/1987	Ford	223/46
6,779,817	B2	8/2004	Ota		
D614,858	S	5/2010	Ranzau		
D615,746	S	5/2010	Ranzau		
D618,242	S *	6/2010	Akana et al.	D14/374
D644,541	S *	9/2011	Schrader et al.	D10/64

2007/0240323	A1 *	10/2007	Hung et al.	33/562
2010/0025438	A1	2/2010	Ranzau		
2011/0024467	A1 *	2/2011	Fuentes	223/46

* cited by examiner

Primary Examiner — Antoine D Davis

(74) *Attorney, Agent, or Firm* — Dinsmore & Shohl, LLP

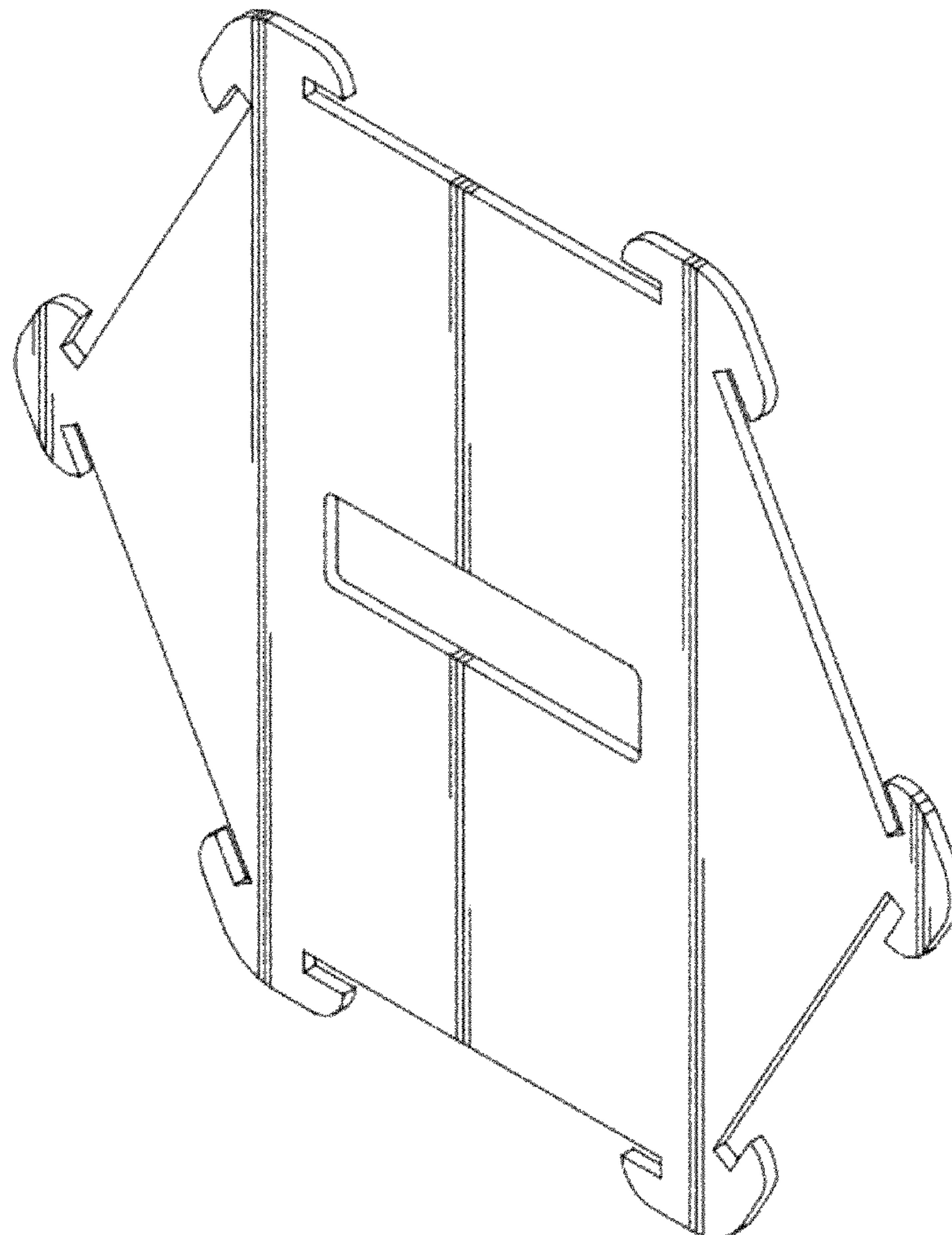
(57) **CLAIM**

The ornamental design of a bow making template, as shown and described.

DESCRIPTION

FIG. 1 shows a perspective view of a first embodiment of a bow making template;
FIG. 2 shows a top side view thereof;
FIG. 3 shows a top view thereof, and the bottom view is a mirror image of the top view;
FIG. 4 shows a bottom side view thereof;
FIG. 5 shows a left side view thereof; and,
FIG. 6 shows a right side view thereof.

1 Claim, 3 Drawing Sheets



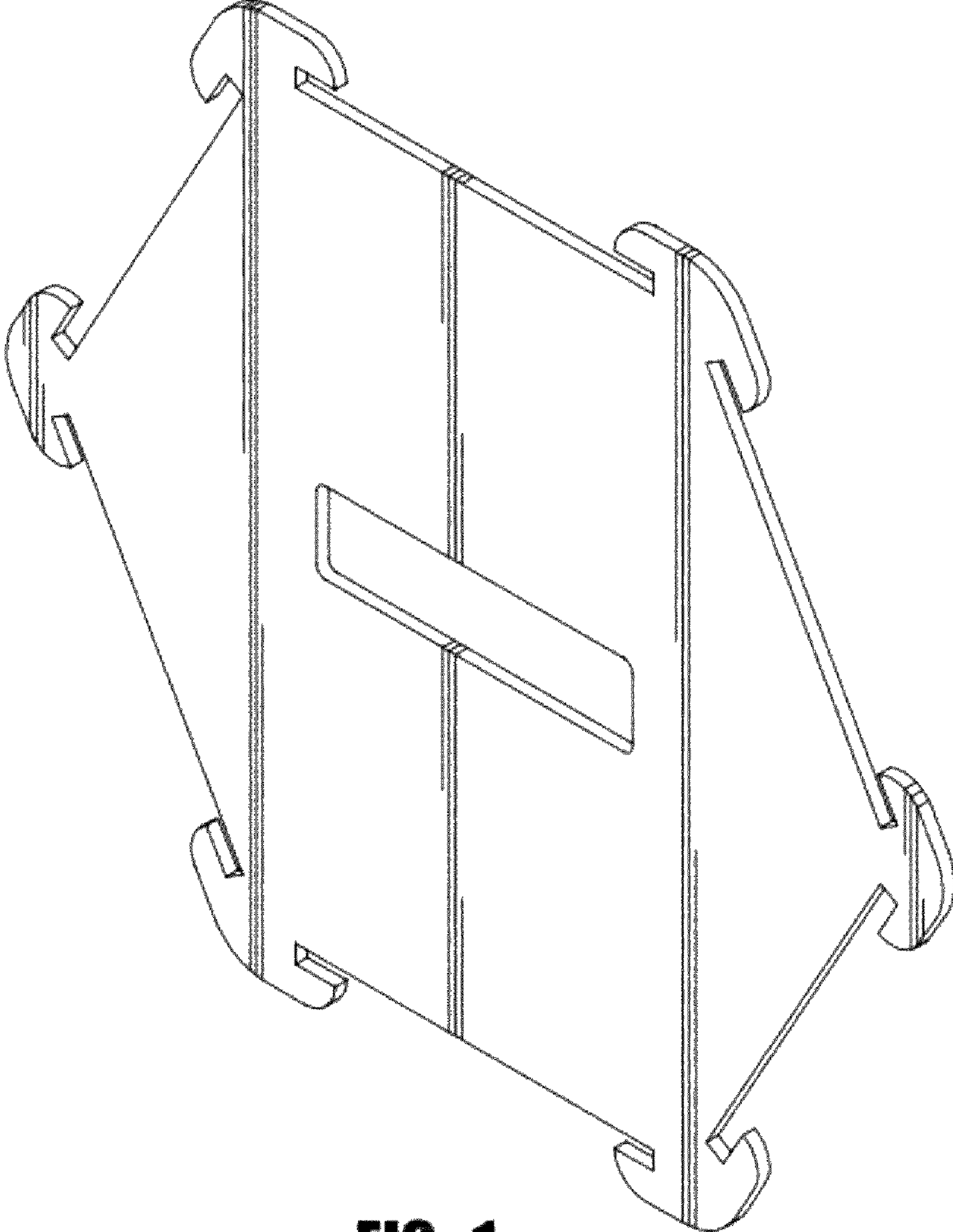


FIG. 1

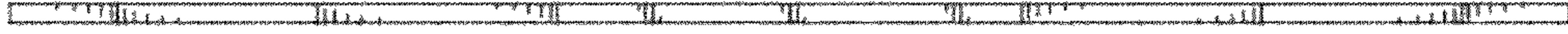


FIG. 2

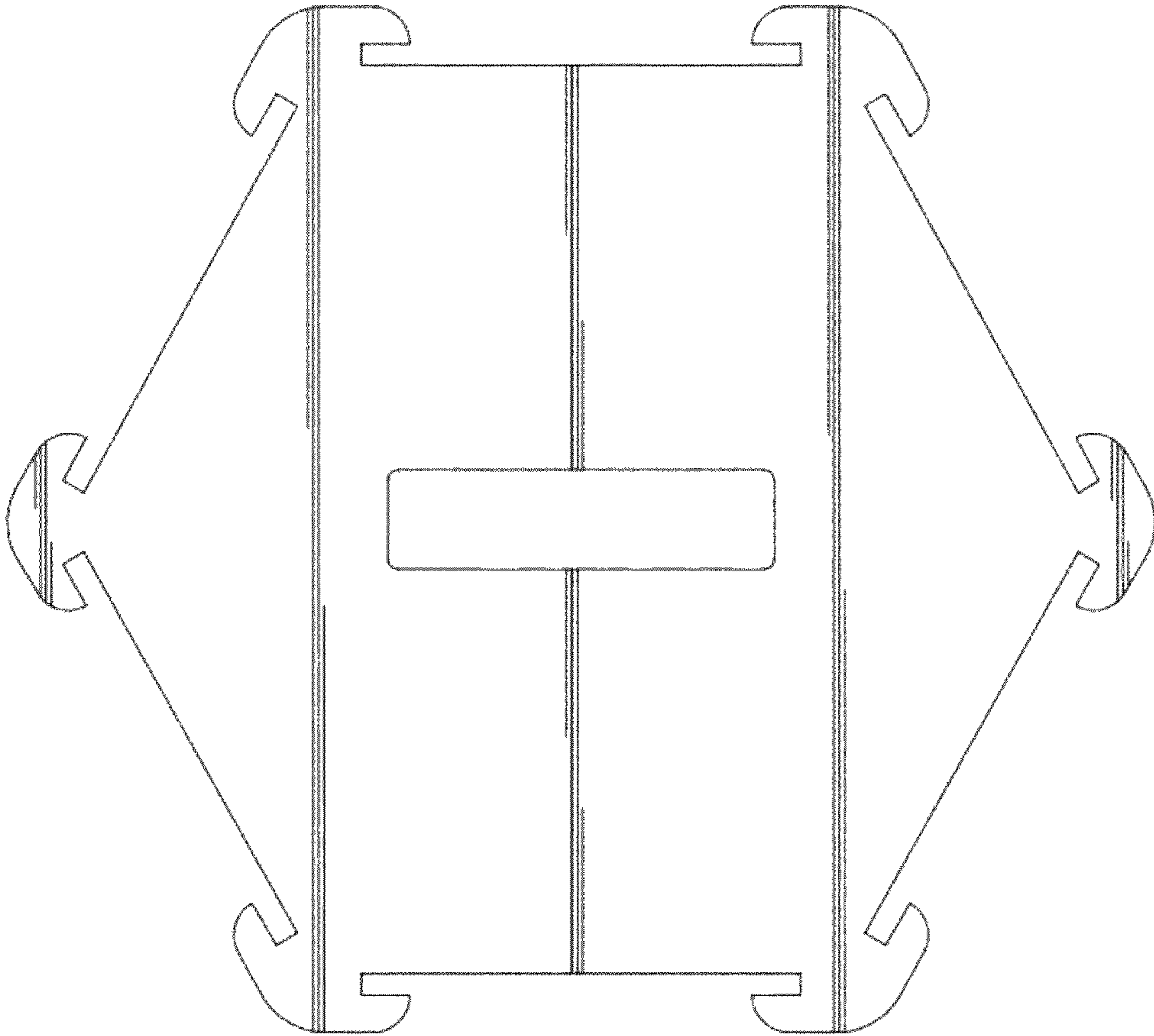


FIG. 3

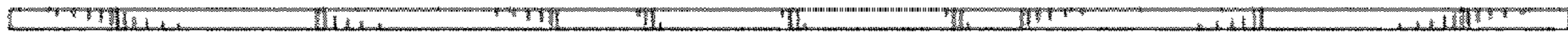


FIG. 4



FIG. 5



FIG. 6