

US00D665677S

(12) **United States Design Patent**  
**Wu**

(10) **Patent No.:** **US D665,677 S**

(45) **Date of Patent:** **\*\* Aug. 21, 2012**

(54) **FOOD CONTAINER**

(76) Inventor: **Jingdong Wu**, Taishan (CN)

(\*\*) Term: **14 Years**

(21) Appl. No.: **29/404,776**

(22) Filed: **Oct. 25, 2011**

(51) **LOC (9) Cl.** ..... **09-03**

(52) **U.S. Cl.** ..... **D9/761; D9/43; D7/629**

(58) **Field of Classification Search** ..... D7/602,  
D7/629, 538-542; D9/424-432, 761; D3/273;  
220/669-673, 675, 574-575, 573.1, 660,  
220/326, 324, 236, 780-806, 23.8, 23.83,  
220/4.21, 4.24, 288, 260; 229/107, 406,  
229/407, 120, 125.17, 902-906

See application file for complete search history.

(56) **References Cited**

**U.S. PATENT DOCUMENTS**

D246,289	S	*	11/1977	Boucher	.....	D7/602
4,976,370	A	*	12/1990	Cassel	.....	220/792
D439,159	S	*	3/2001	Chen	.....	D9/425
D466,808	S	*	12/2002	Liu et al.	.....	D9/425
D468,637	S	*	1/2003	Chou	.....	D9/425
D502,061	S	*	2/2005	Dais et al.	.....	D7/629
D503,336	S	*	3/2005	Tucker et al.	.....	D9/425
D517,311	S	*	3/2006	Kim	.....	D3/218
D606,812	S	*	12/2009	Wu	.....	D7/629
D614,950	S	*	5/2010	Colacitti	.....	D9/425
D615,396	S		5/2010	Changpan		
D618,516	S	*	6/2010	DiPietro et al.	.....	D7/629
D645,342	S		9/2011	Allers et al.		
D645,343	S		9/2011	Allers et al.		
2008/0116098	A1	*	5/2008	Marooflan et al.	.....	220/324

**FOREIGN PATENT DOCUMENTS**

CN	301193416	S	5/2010
CN	301306333	S	8/2010
CN	301436124	S	1/2011
CN	301578778	S	6/2011

\* cited by examiner

*Primary Examiner* — Terry Wallace

(74) *Attorney, Agent, or Firm* — The Farrell Law Firm P.C.

(57) **CLAIM**

The ornamental design for a food container, as shown and described.

**DESCRIPTION**

FIG. 1 is a top perspective view of a food container showing my new design with a lid closed;

FIG. 2 is a front top perspective view of the food container with the lid closed;

FIG. 3 is a front top perspective view of the food container with the lid separated;

FIG. 4 is a front bottom perspective view of the food container with the lid separated;

FIG. 5 is a front view of the food container with the lid separated;

FIG. 6 is a rear view of the food container with the lid separated;

FIG. 7 is a right side view of the food container with the lid separated;

FIG. 8 is a front view of the food container with the lid closed;

FIG. 9 is a rear view of the food container with the lid closed;

FIG. 10 is a right side view of the food container with the lid closed;

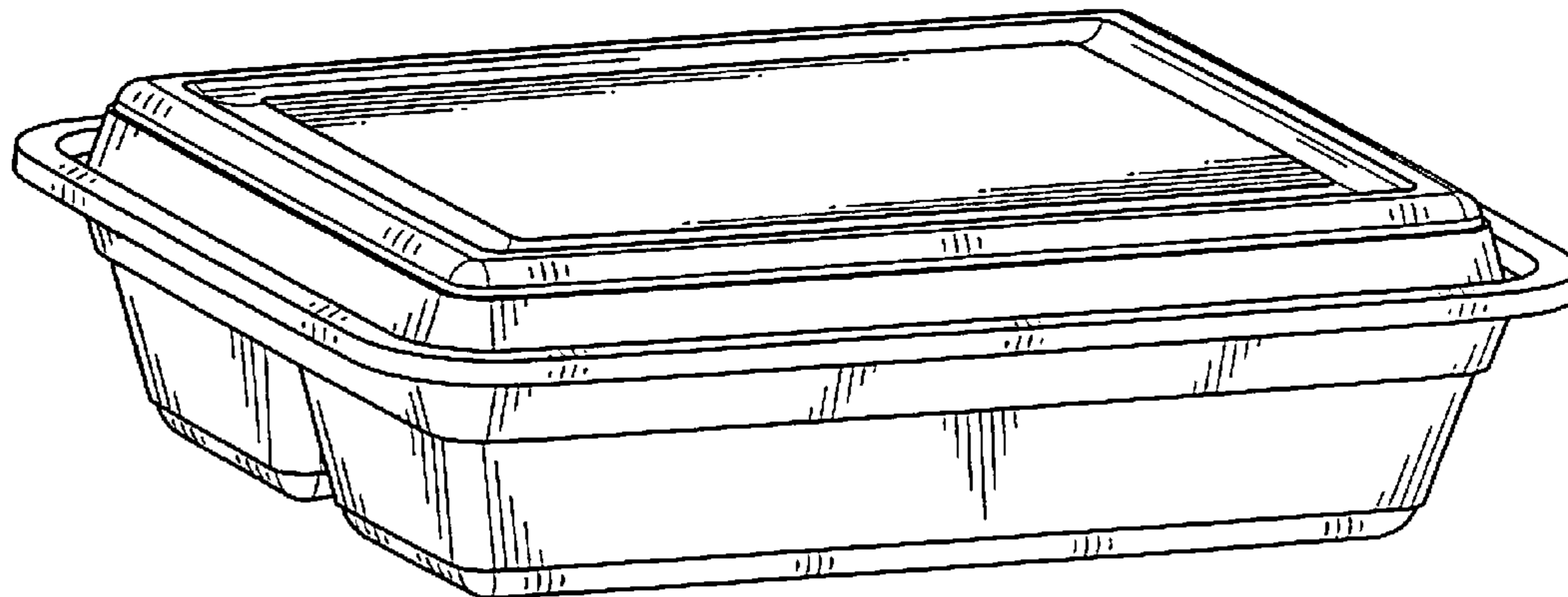
FIG. 11 is a left side view of the food container with the lid closed;

FIG. 12 is a top view of the food container; and,

FIG. 13 is a bottom view of the food container;

The broken lines in the drawings are for illustrative purposes only and form no part of the claimed design.

**1 Claim, 13 Drawing Sheets**



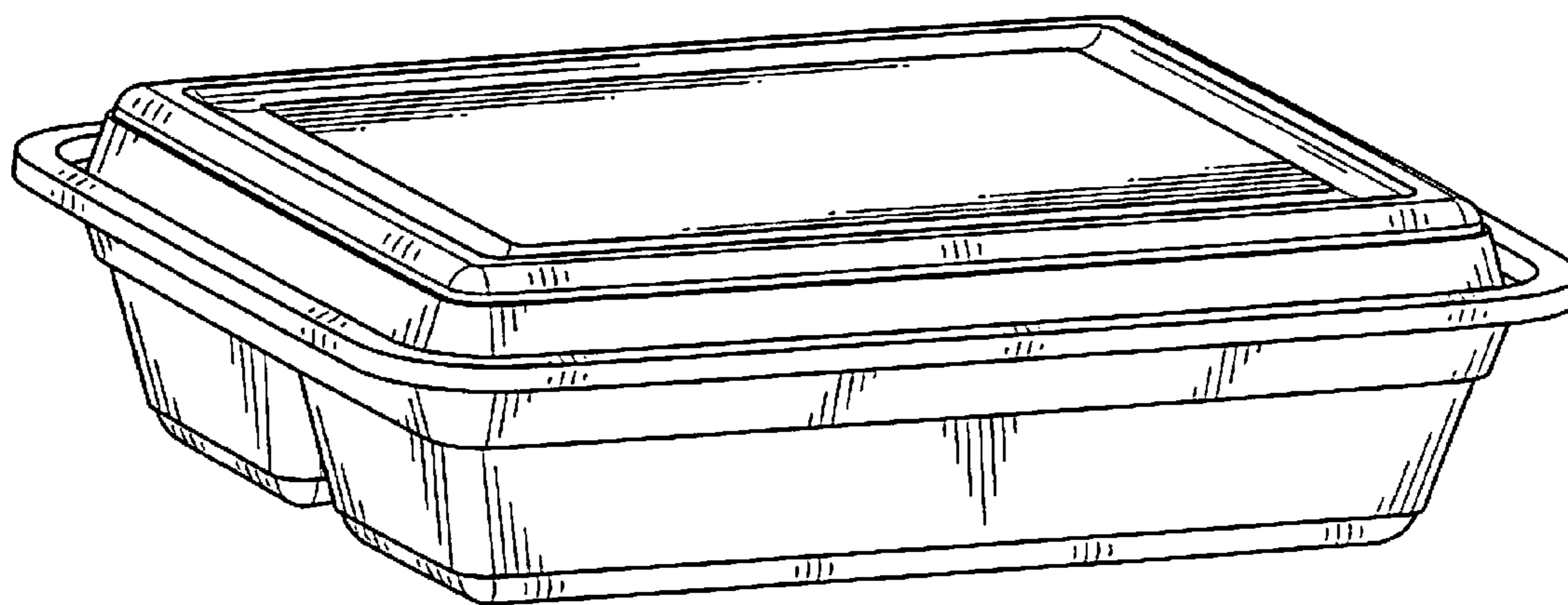


FIG. 1

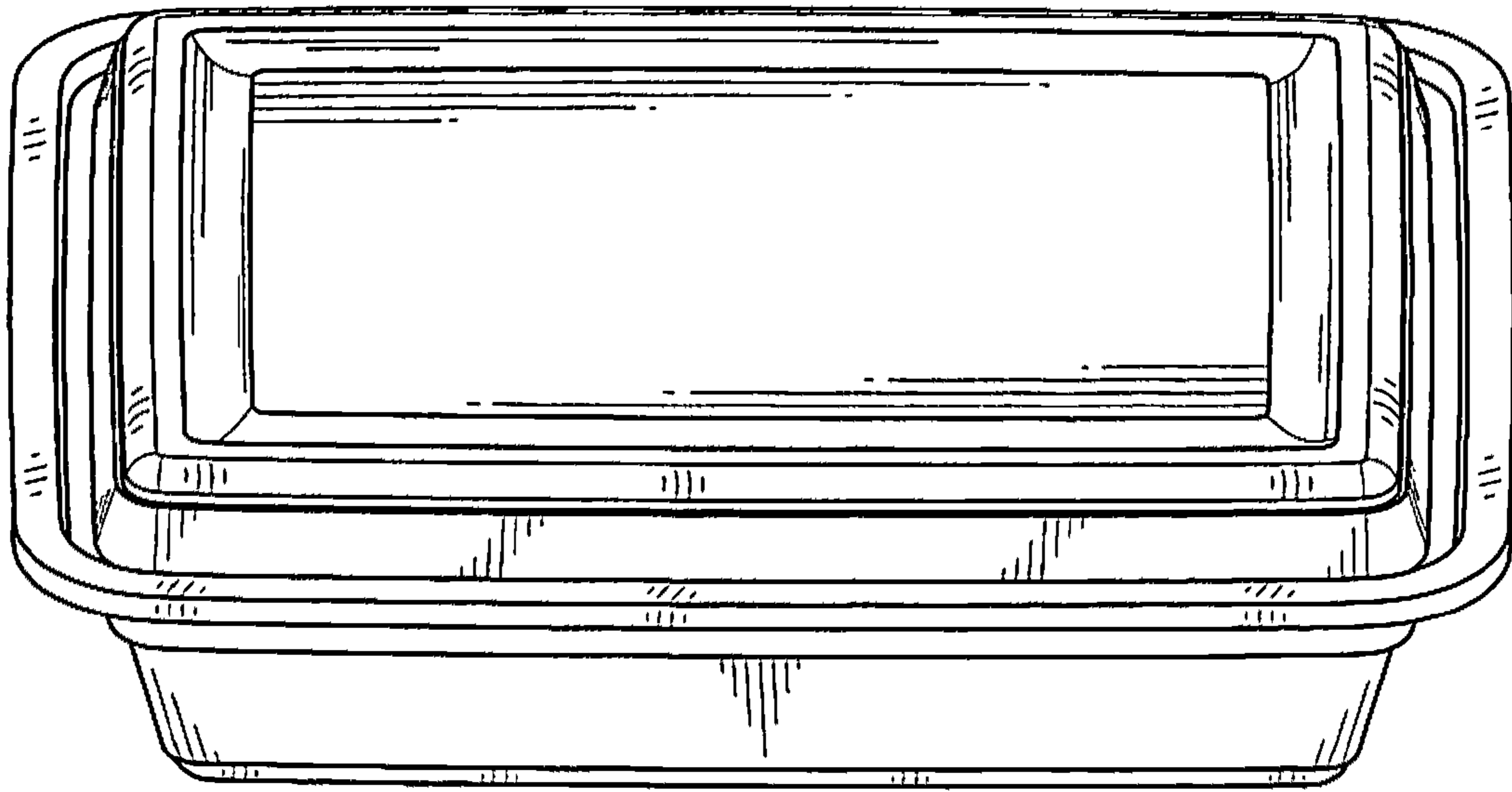


FIG. 2

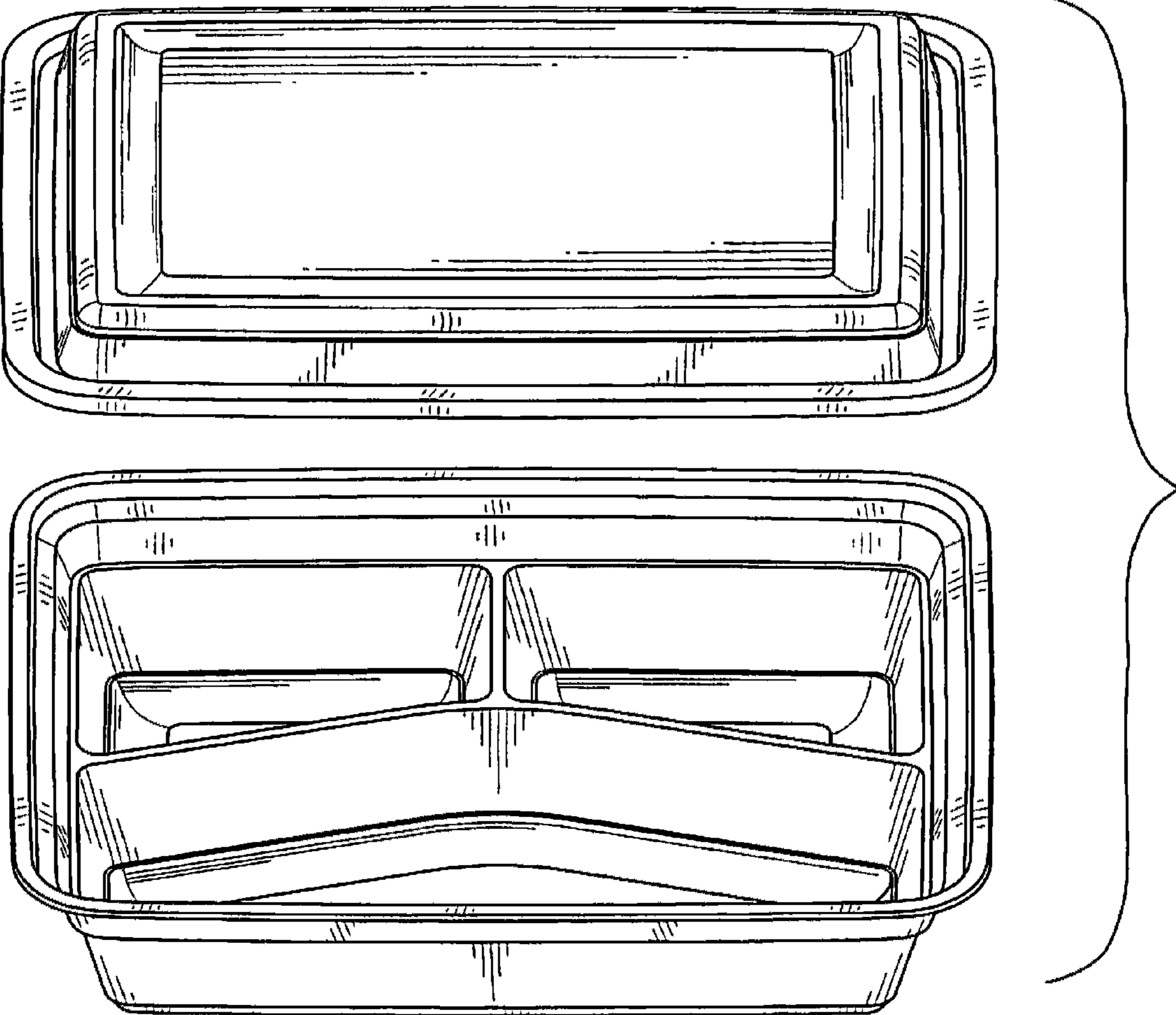


FIG. 3

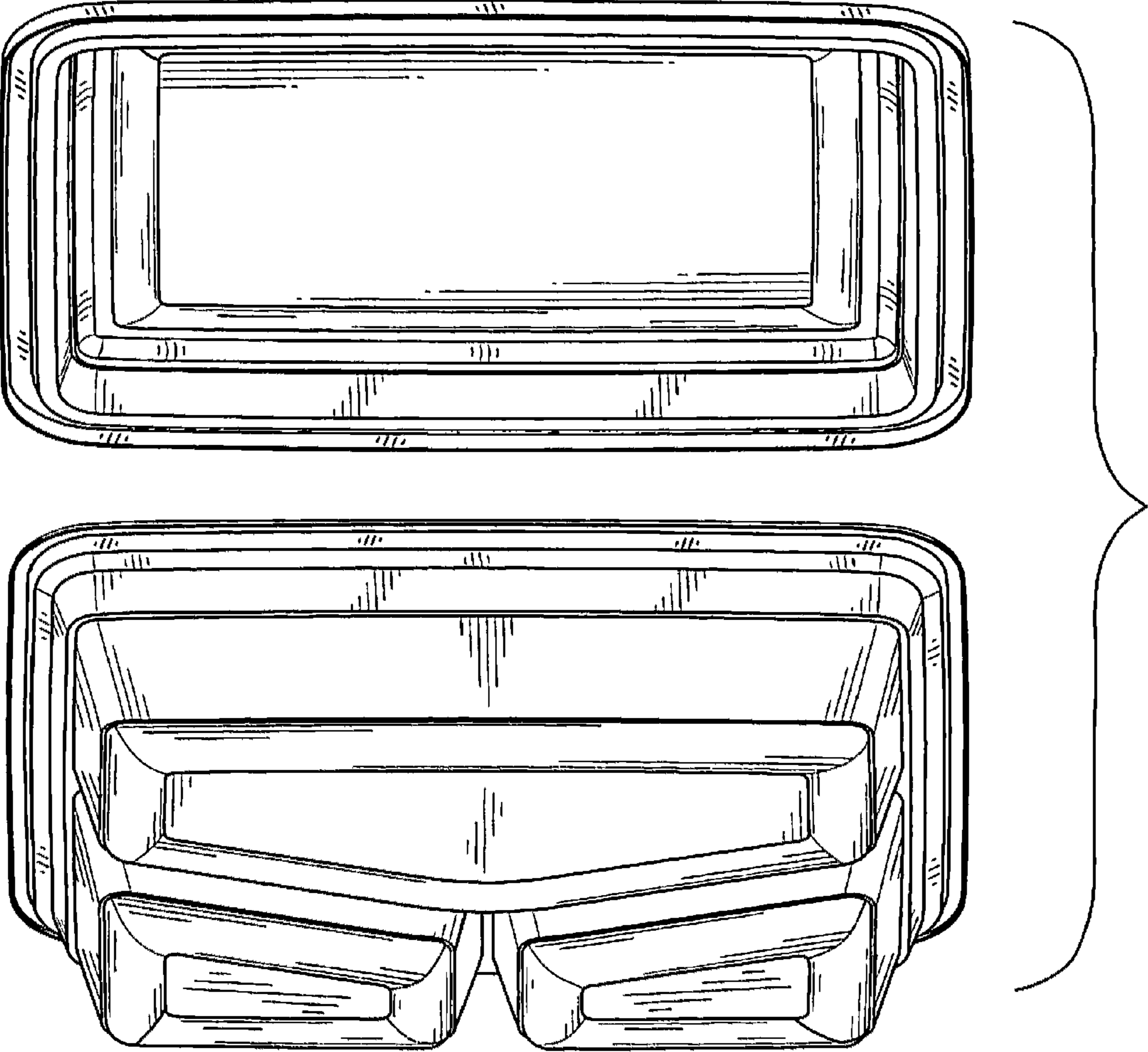


FIG. 4

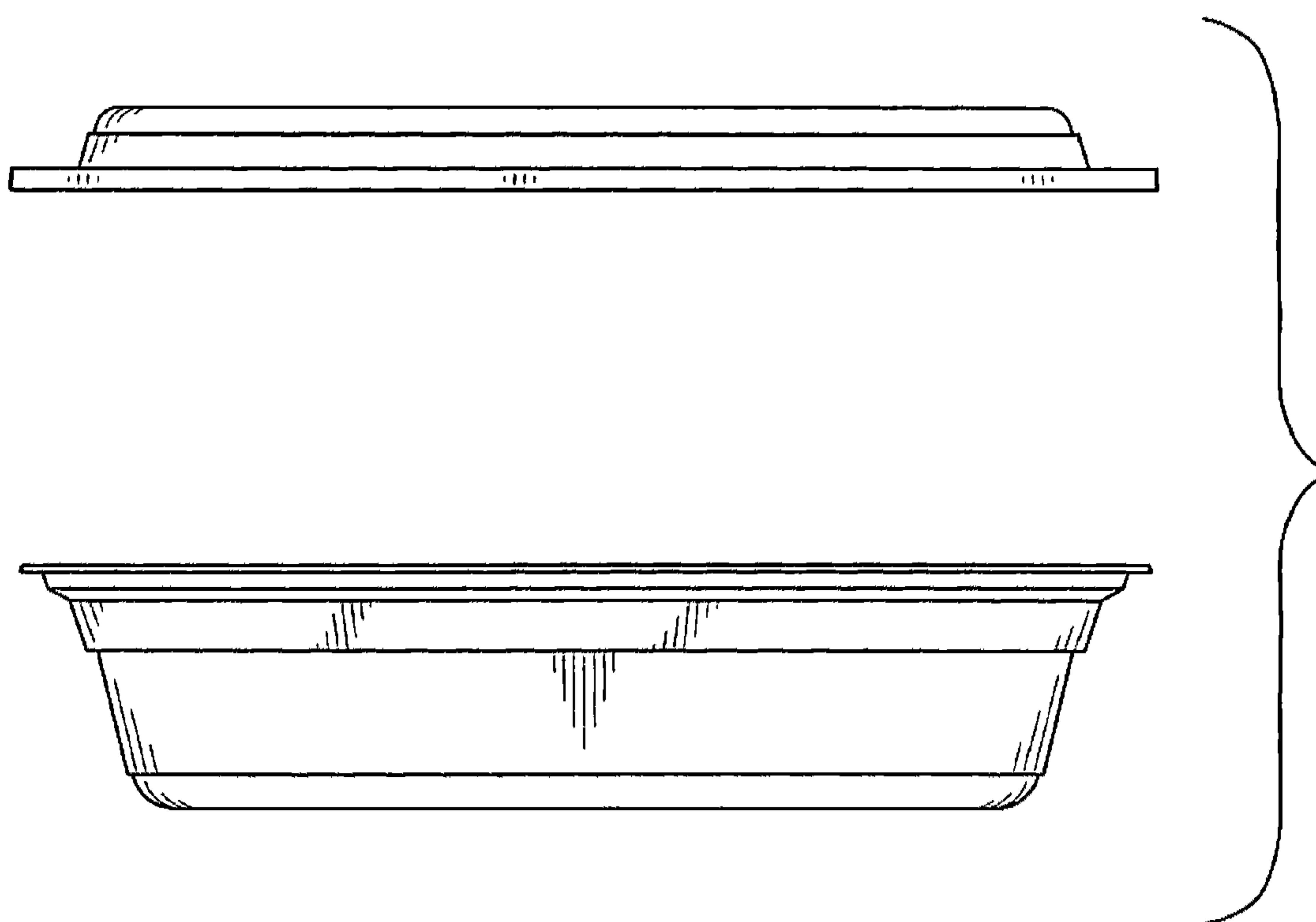


FIG. 5

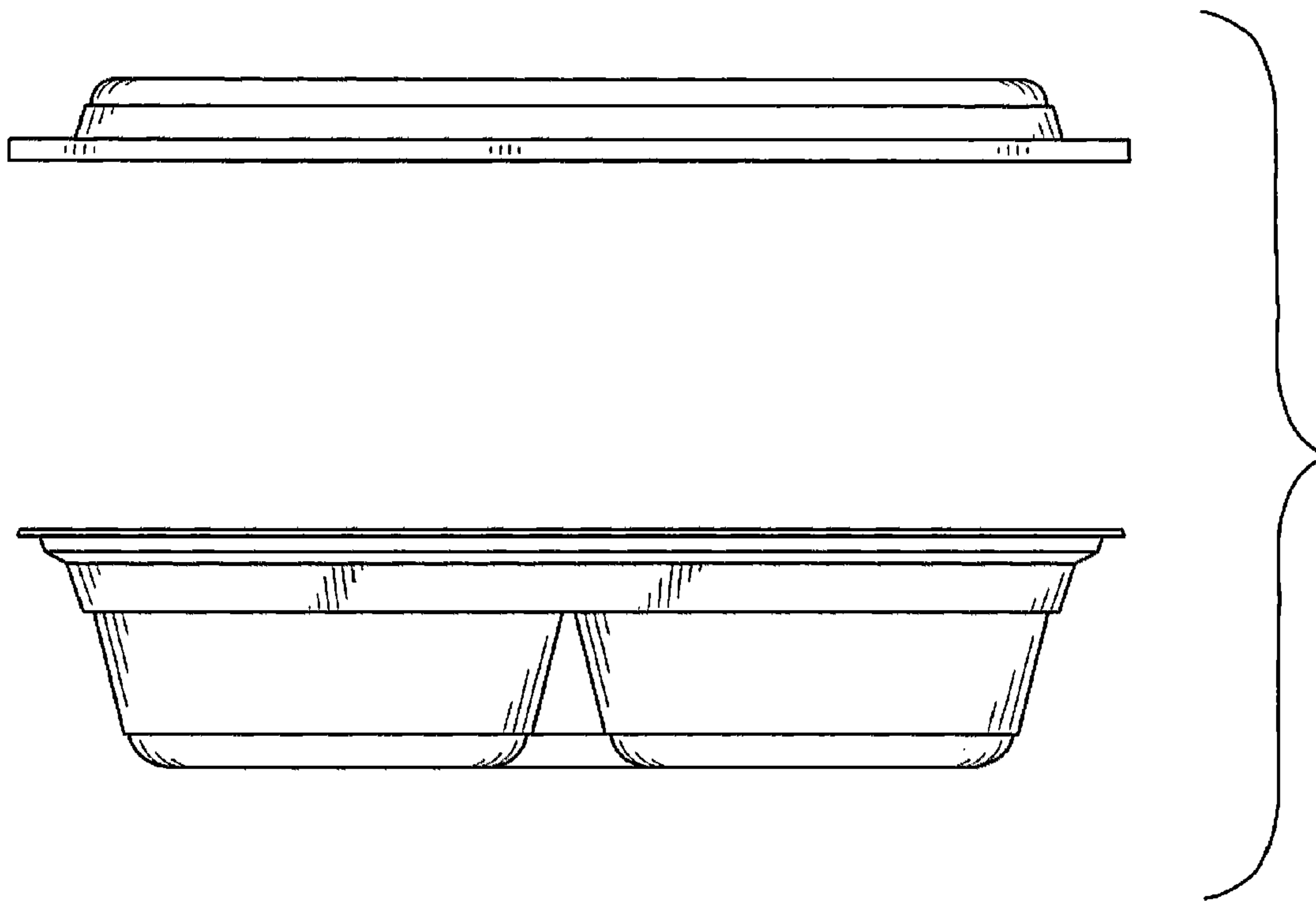


FIG. 6

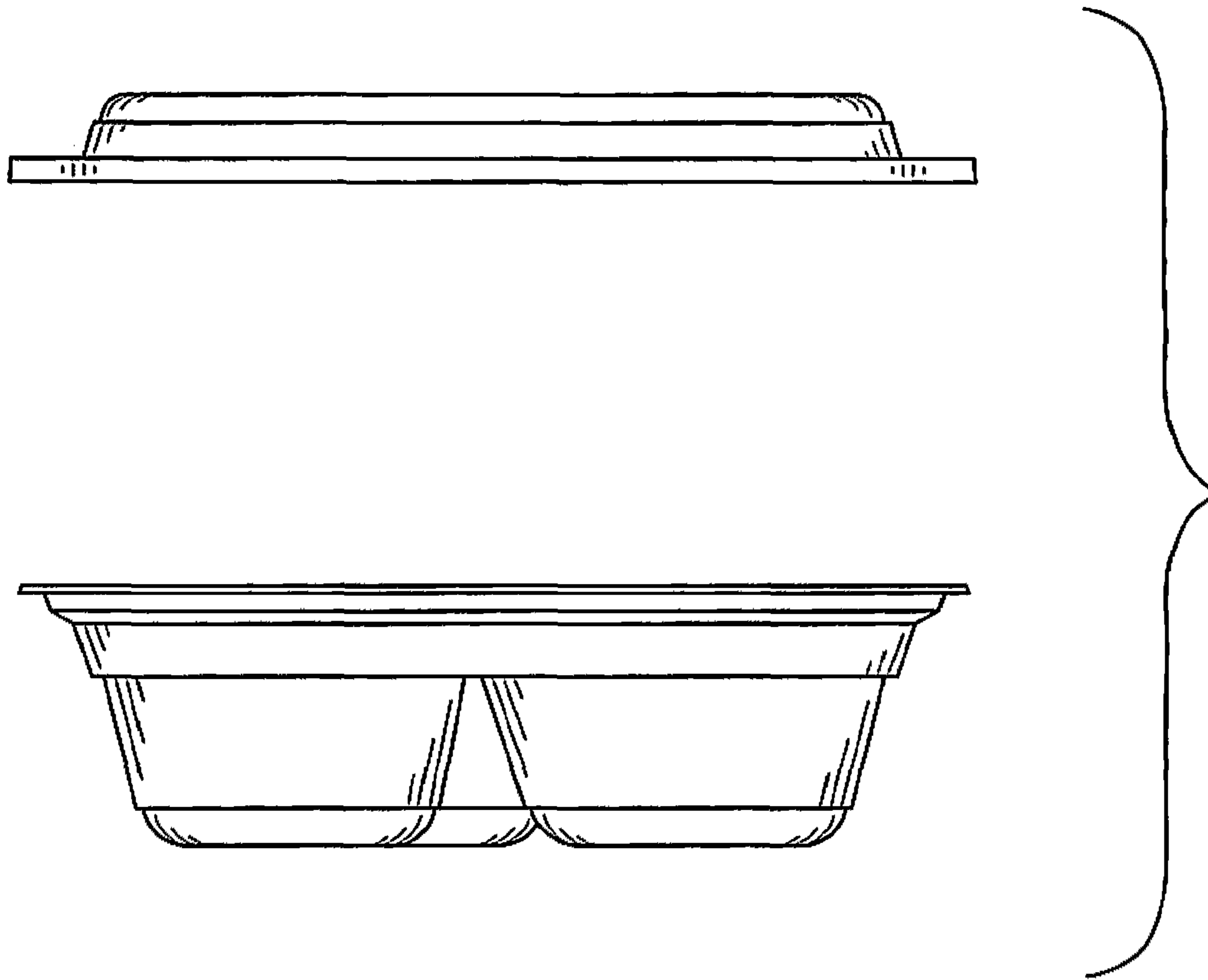


FIG. 7



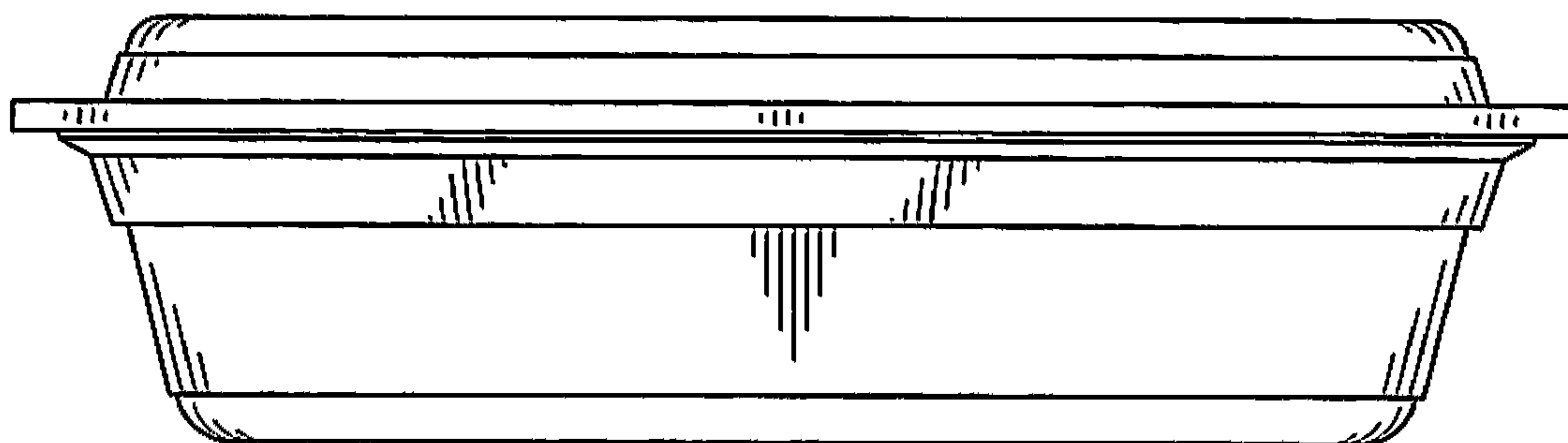


FIG. 8

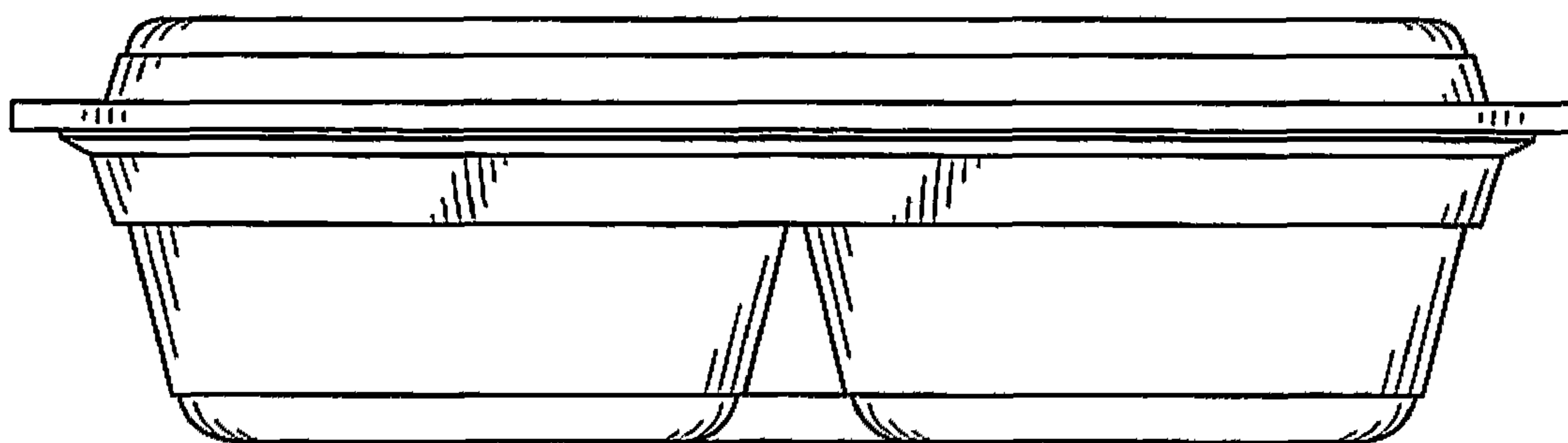


FIG. 9

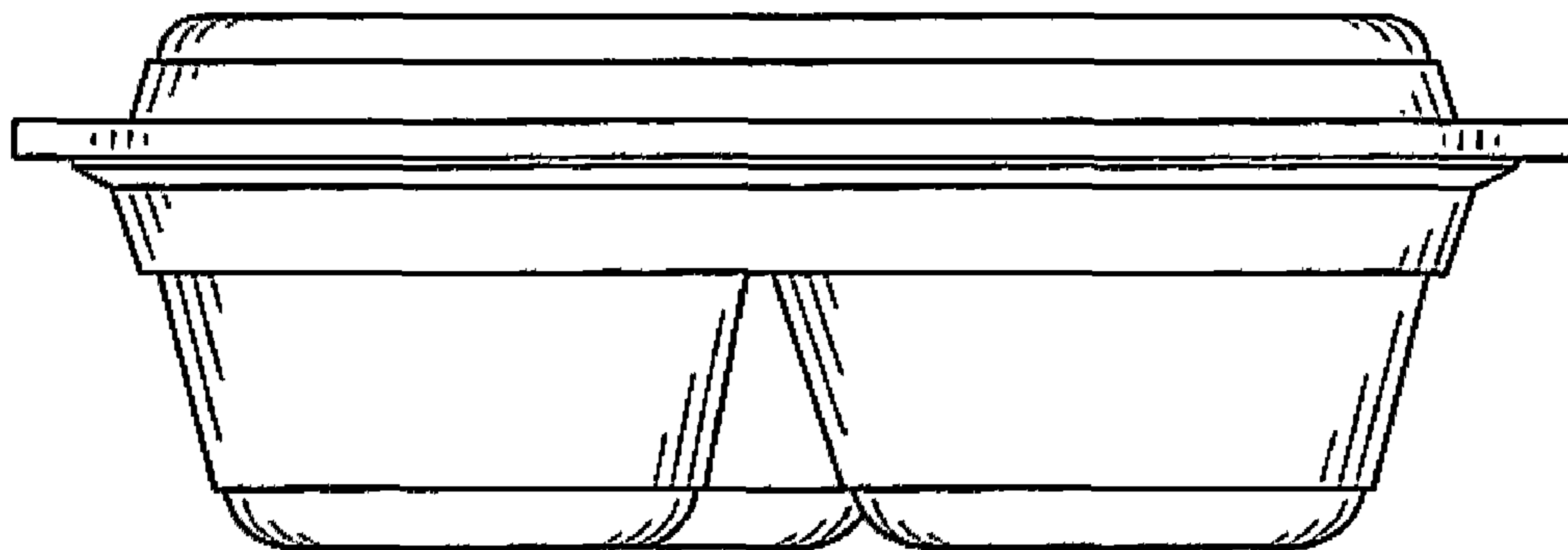


FIG. 10

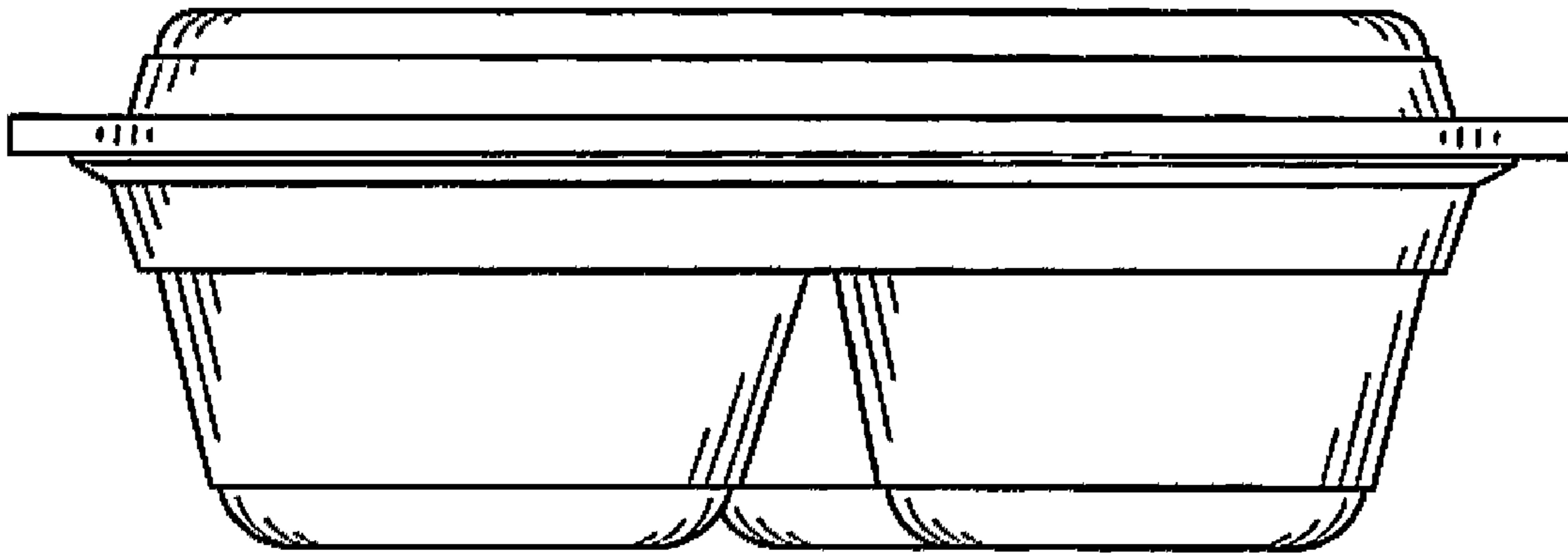


FIG. 11

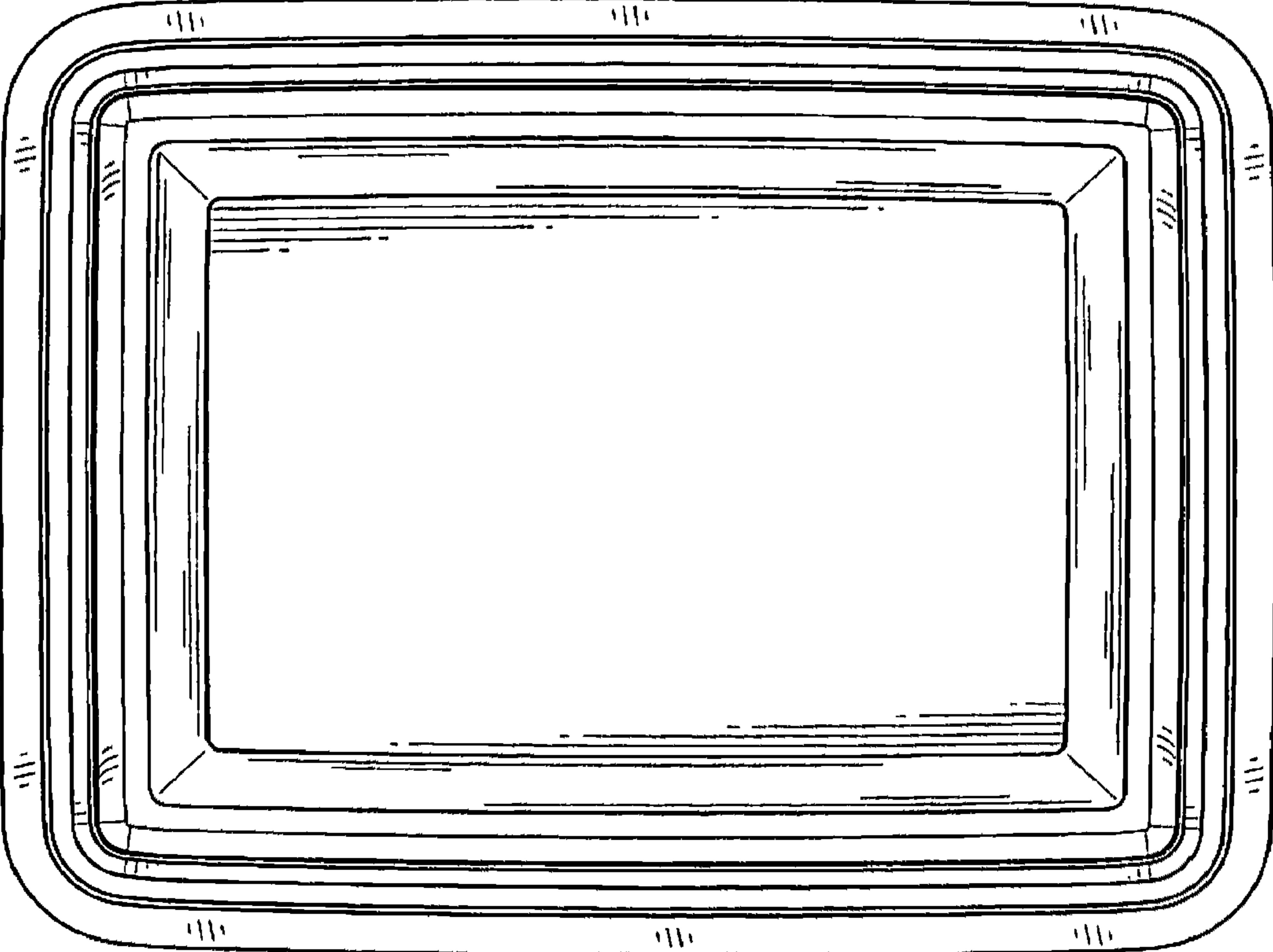


FIG. 12

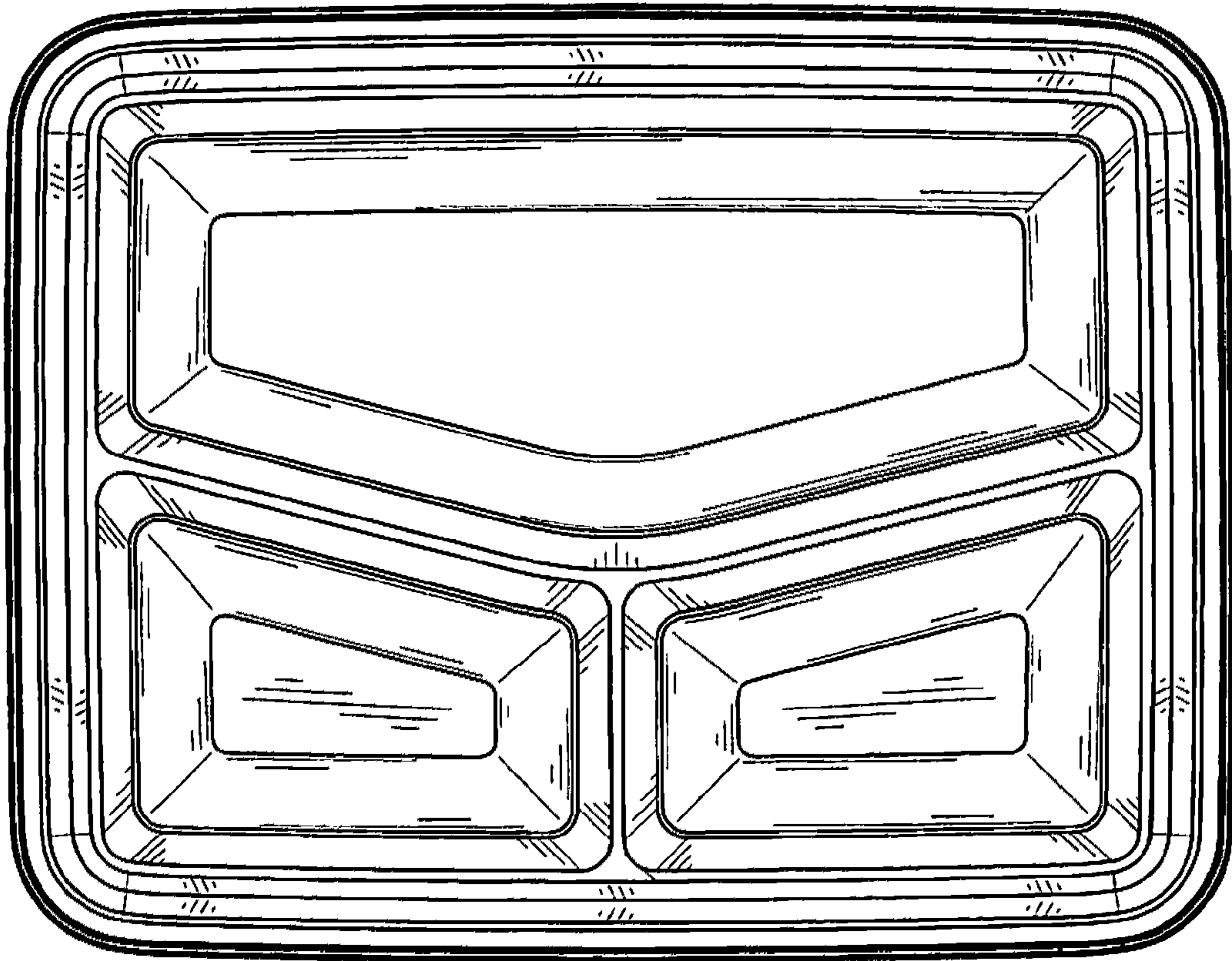


FIG. 13