



US00D665676S

(12) **United States Design Patent**
Wu

(10) **Patent No.:** **US D665,676 S**

(45) **Date of Patent:** **** Aug. 21, 2012**

(54) **FOOD CONTAINER**

(74) *Attorney, Agent, or Firm* — The Farrell Law Firm, P.C.

(76) Inventor: **Jingdong Wu**, Taishan (CN)

(**) Term: **14 Years**

(57) **CLAIM**

The ornamental design for a food container, as shown and described.

(21) Appl. No.: **29/404,771**

(22) Filed: **Oct. 25, 2011**

DESCRIPTION

(51) **LOC (9) Cl.** **09-03**

(52) **U.S. Cl.** **D9/761; D9/737; D7/629**

(58) **Field of Classification Search** D7/601,
D7/602, 629, 538–542; D9/761, 737, 424–432;
D3/273; 220/669–673, 675, 574–575, 573.1,
220/660, 326, 236, 780–706, 23.83, 23.8,
220/4.21, 4.24, 288, 260; 229/107, 406,
229/407, 120, 125.17, 902–906

See application file for complete search history.

FIG. 1 is a top perspective view of a food container showing my new design with a lid closed;

FIG. 2 is a front top perspective view of the food container with the lid closed;

FIG. 3 is a front top perspective view of the food container with the lid separated;

FIG. 4 is a front bottom perspective view of the food container with the lid separated;

FIG. 5 is a front view of the food container with the lid separated;

FIG. 6 is a side view of the food container with the lid separated, the opposite side view with the lid separated being identical;

FIG. 7 is a front view of the food container with the lid closed;

FIG. 8 is a rear view of the food container with the lid closed;

FIG. 9 is a side view of the food container with the lid closed, the opposite side view with the lid closed being identical;

FIG. 10 is a top view of the food container; and,

FIG. 11 is a bottom view of the food container.

The broken lines in the drawings are for illustrative purposes only and form no part of the claimed design.

(56) **References Cited**

U.S. PATENT DOCUMENTS

D353,327 S *	12/1994	Castner et al.	D9/756
D551,546 S *	9/2007	Ramirez et al.	D9/761
D571,655 S *	6/2008	Lovett	D9/737
7,451,889 B2 *	11/2008	Mantis	220/502
D615,396 S	5/2010	Changpan		
D626,863 S *	11/2010	Lovett	D9/761
7,874,449 B1 *	1/2011	Studee et al.	220/502
D645,342 S	9/2011	Allers et al.		
D645,343 S	9/2011	Allers et al.		

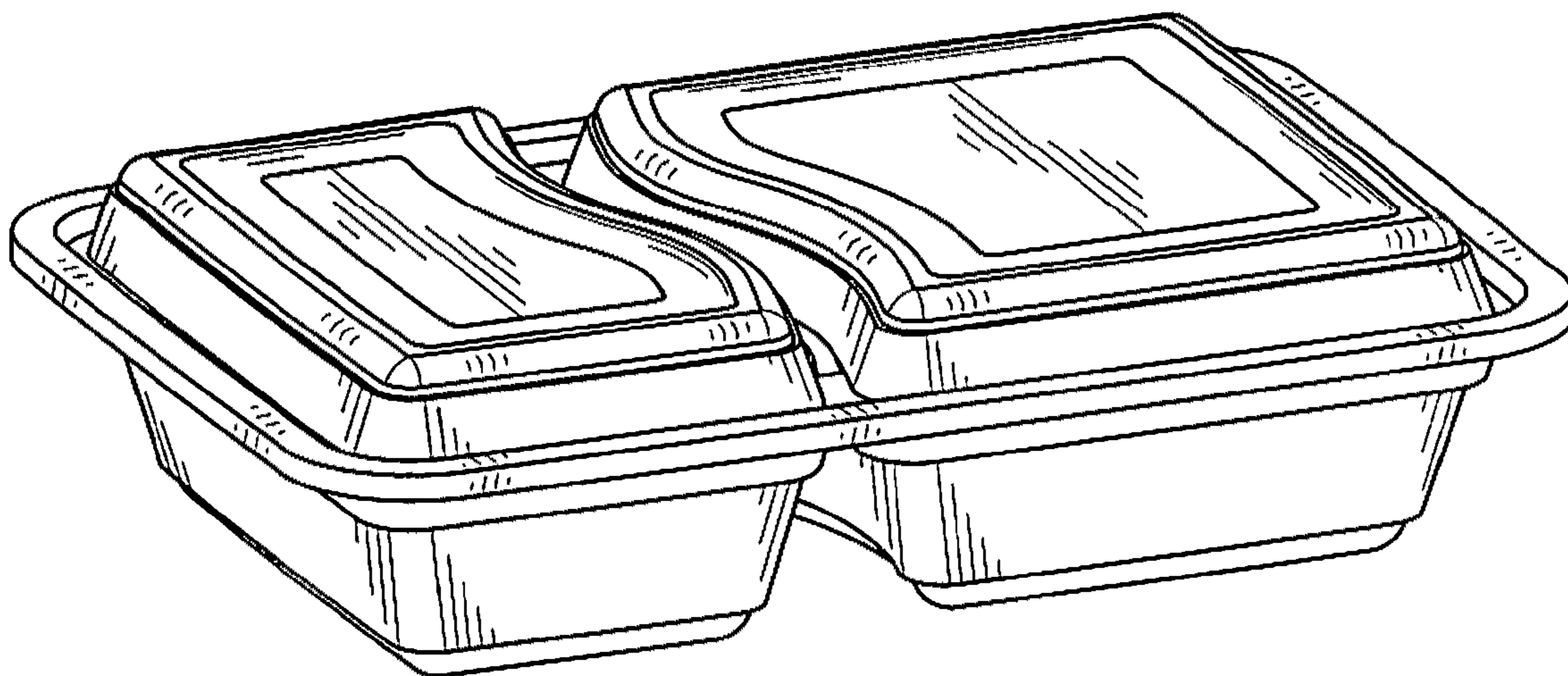
FOREIGN PATENT DOCUMENTS

CN	301193416 S	5/2010
CN	301306333 S	8/2010
CN	301436124 S	1/2011
CN	301578778 S	6/2011

* cited by examiner

Primary Examiner — Terry Wallace

1 Claim, 11 Drawing Sheets



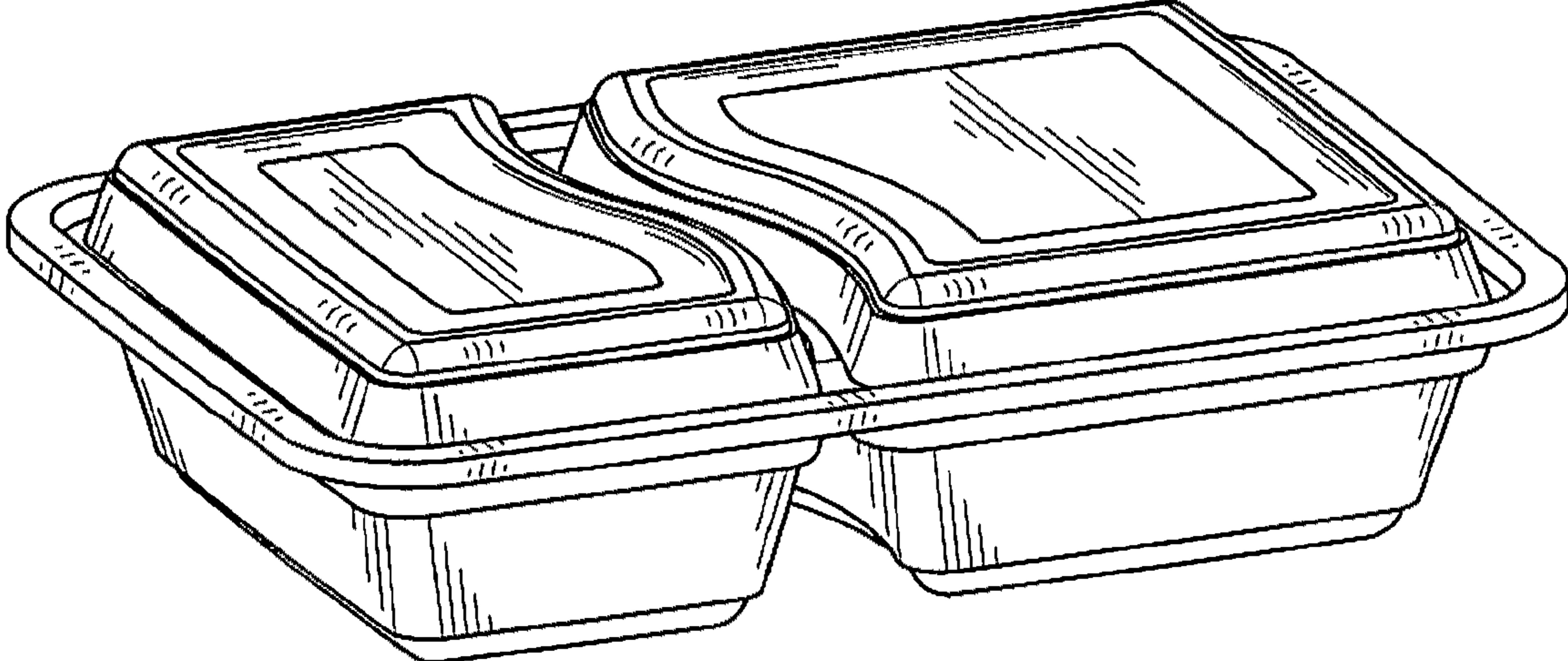


FIG.1

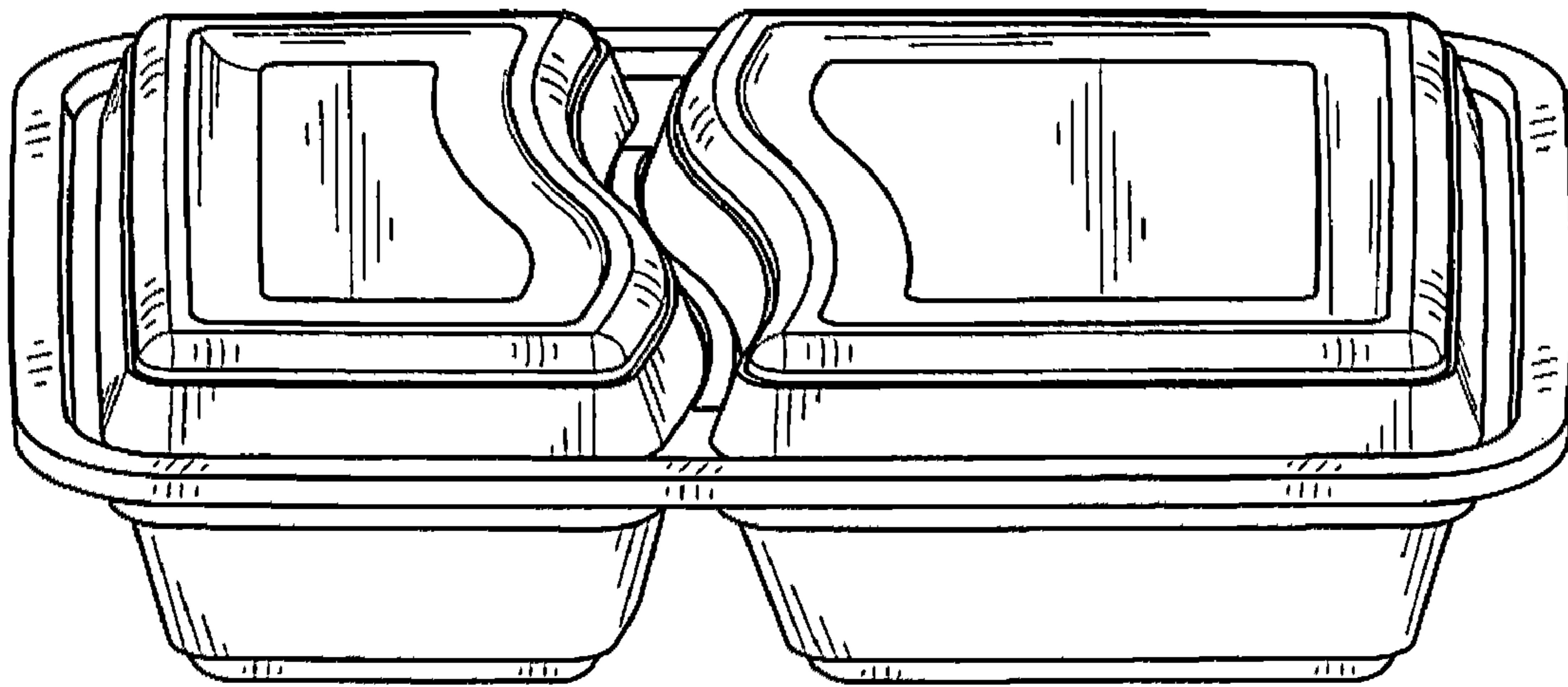


FIG.2

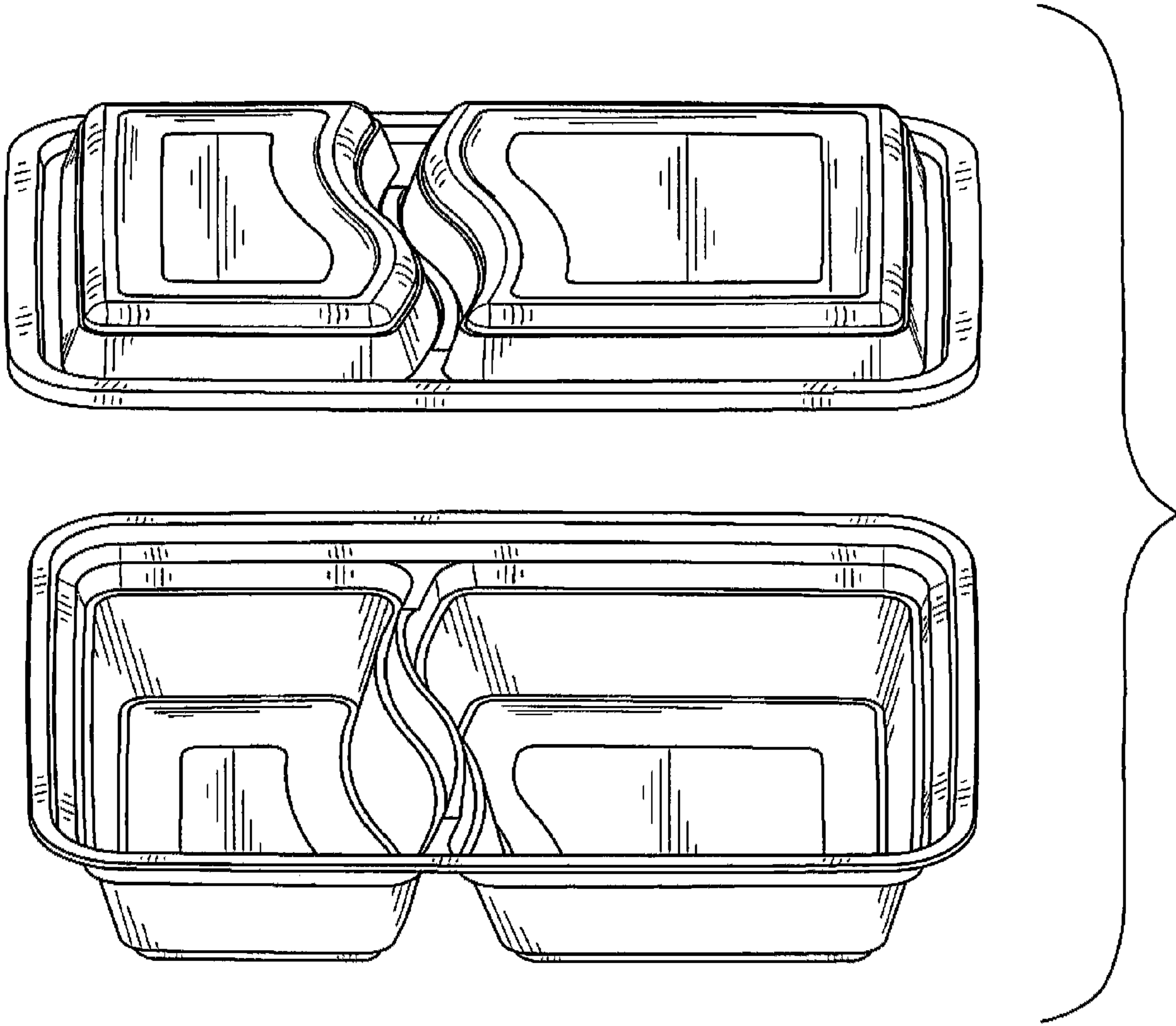


FIG.3

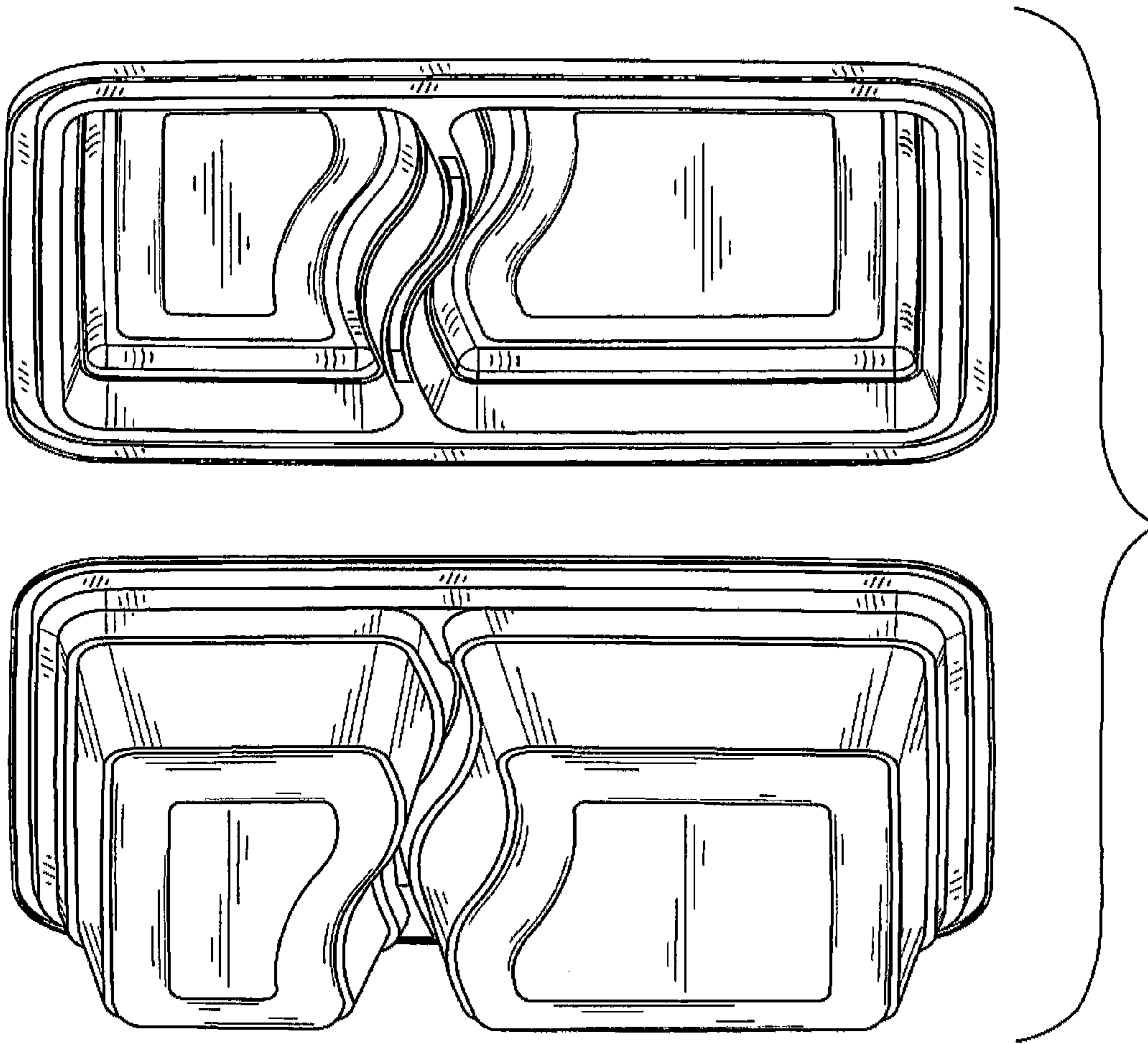


FIG.4

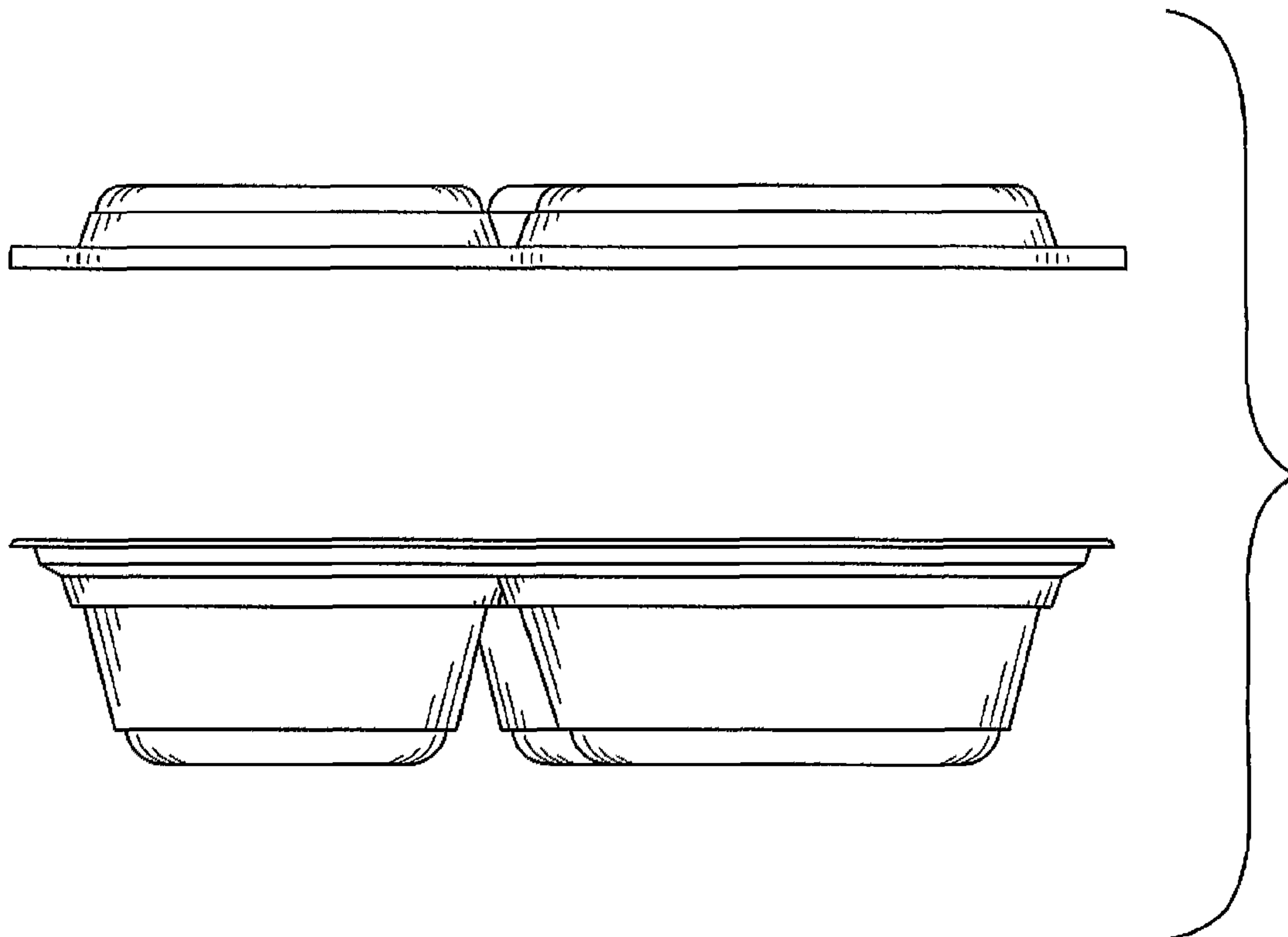


FIG.5

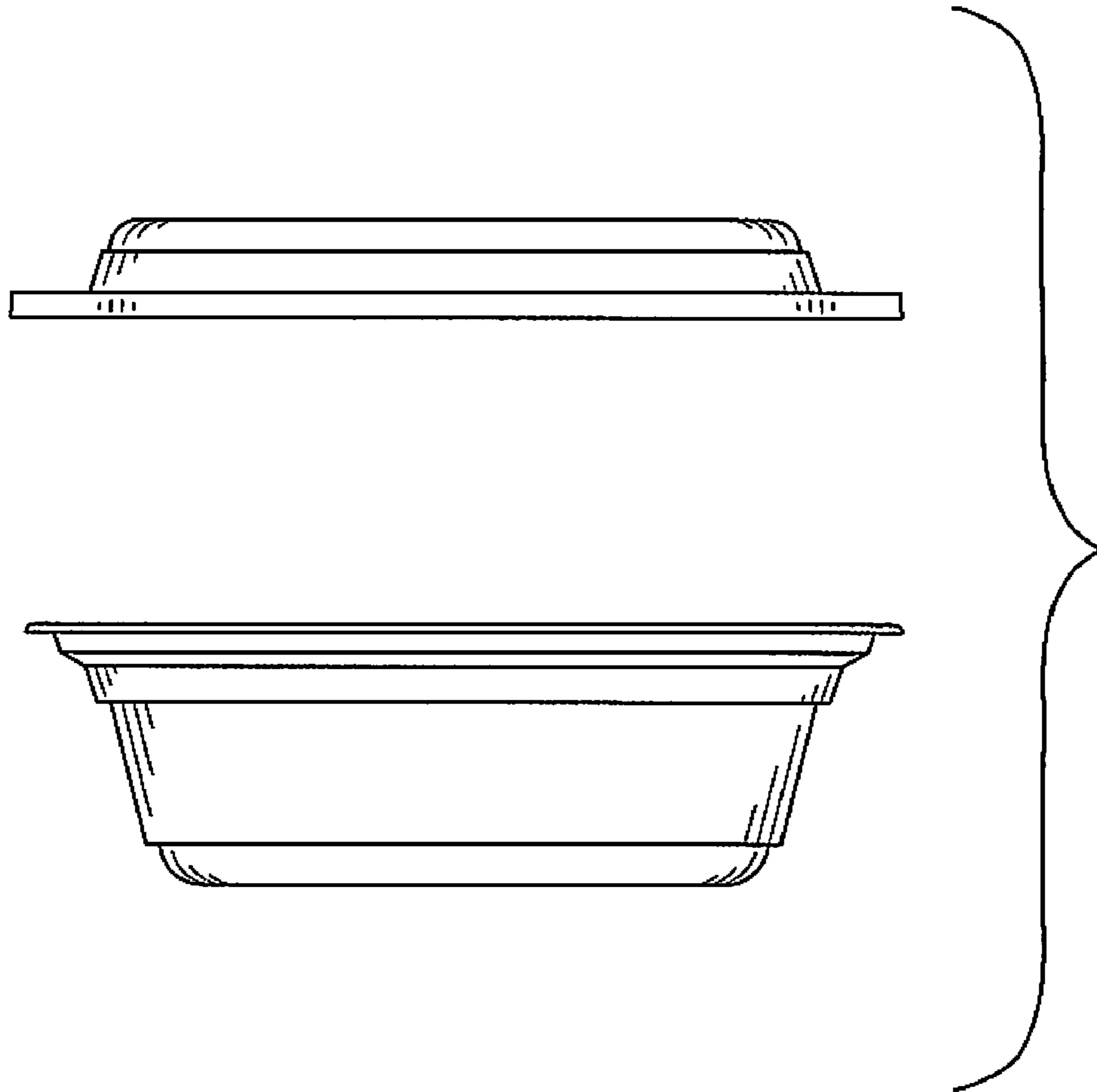


FIG.6

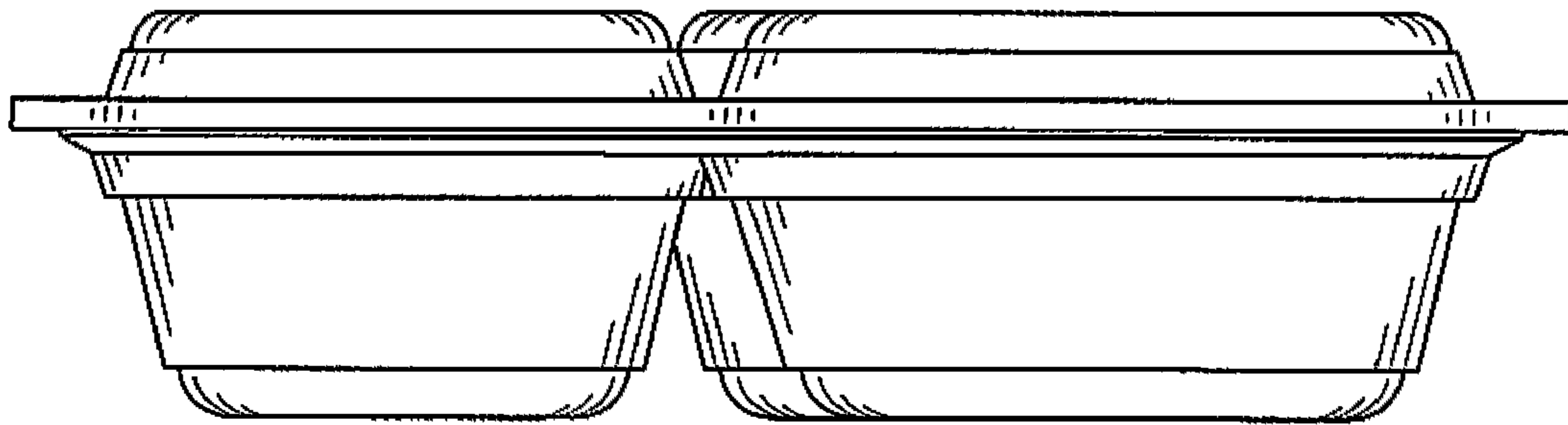


FIG. 7

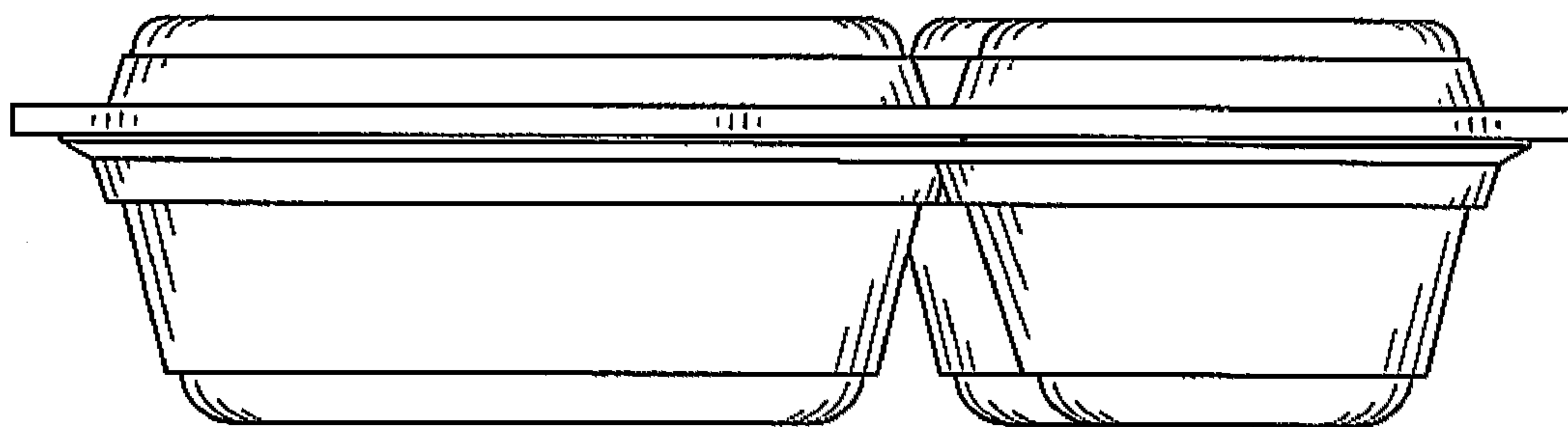


FIG.8

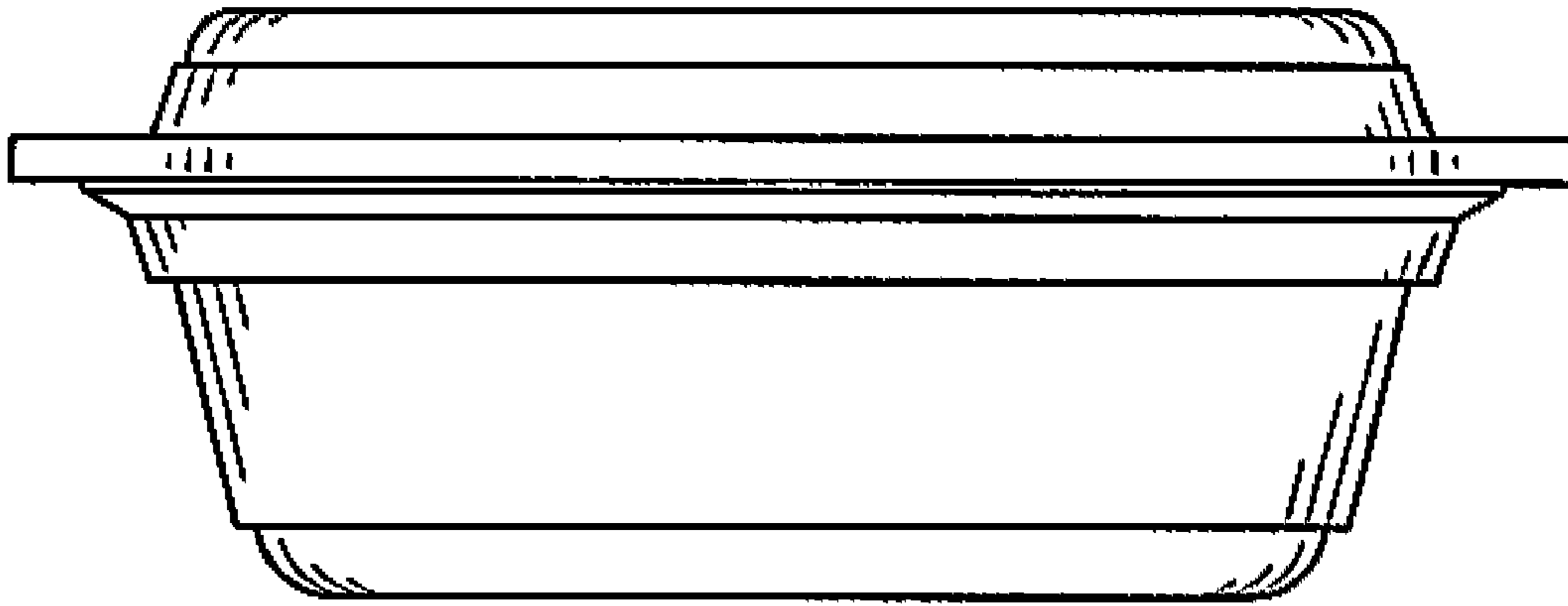


FIG. 9

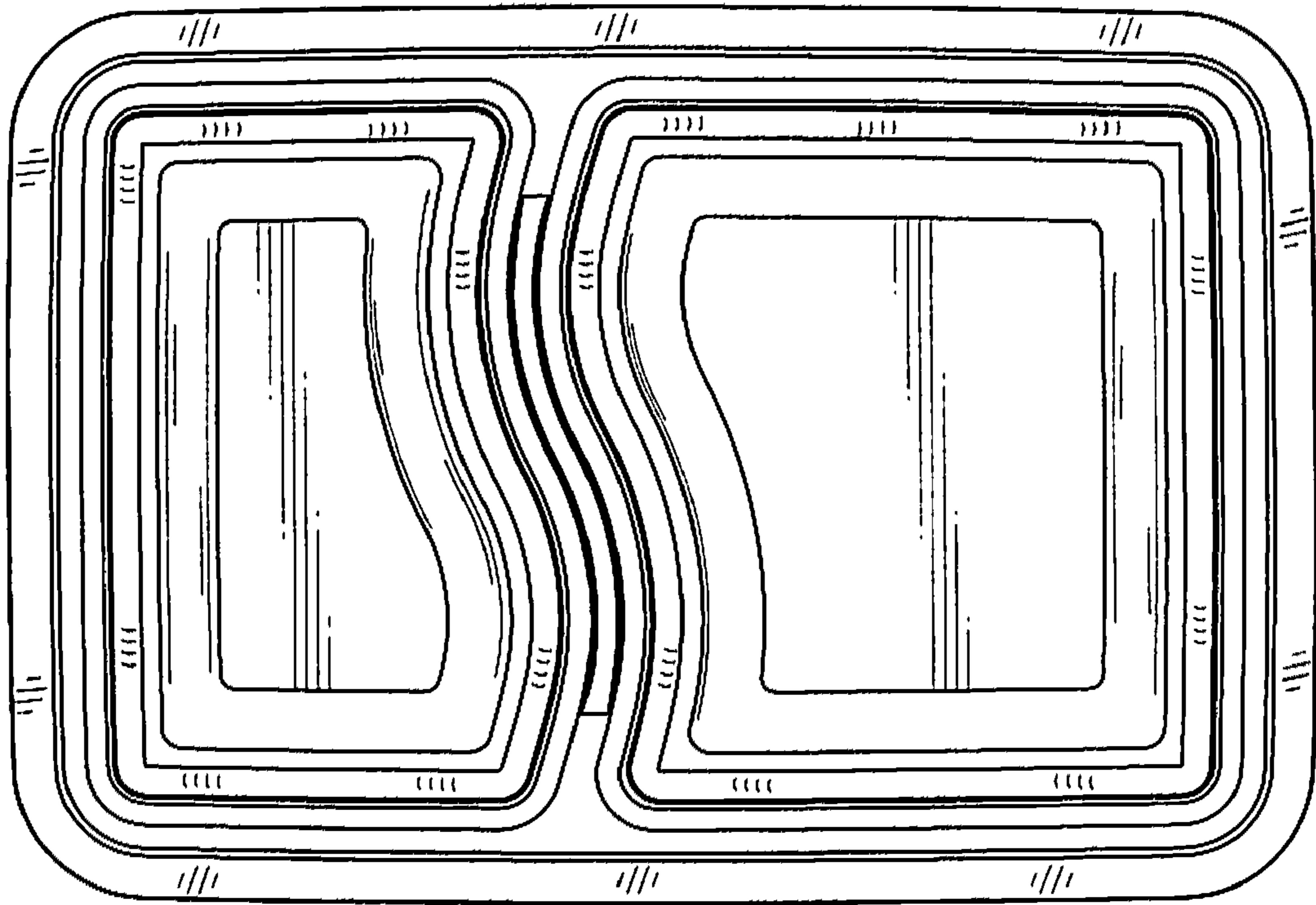


FIG.10

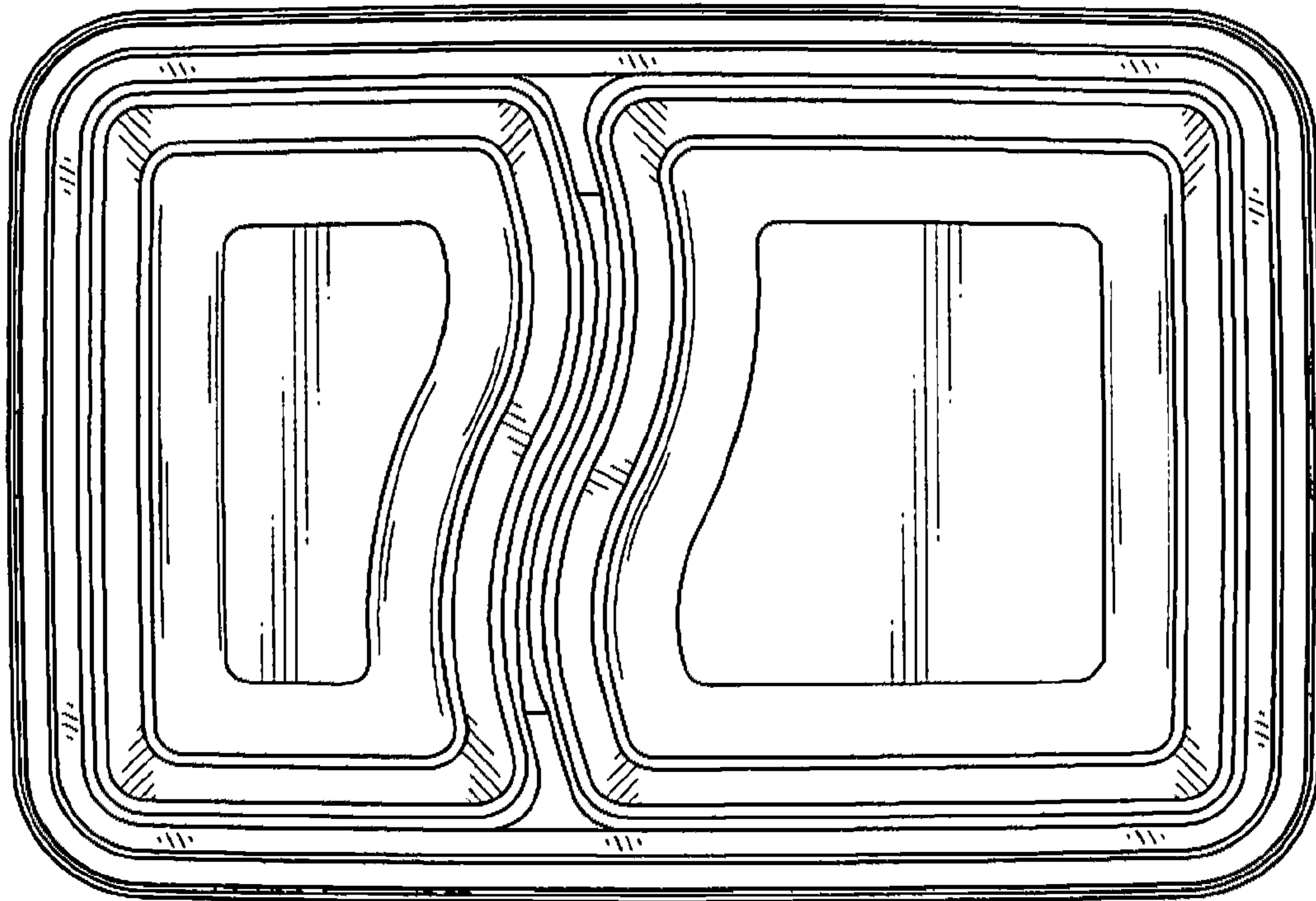


FIG.11