



US00D665675S

(12) **United States Design Patent**
Wu

(10) **Patent No.:** **US D665,675 S**

(45) **Date of Patent:** **** Aug. 21, 2012**

(54) **FOOD CONTAINER**

(76) Inventor: **Jingdong Wu**, Taishan (CN)

(**) Term: **14 Years**

(21) Appl. No.: **29/404,765**

(22) Filed: **Oct. 25, 2011**

(51) **LOC (9) Cl.** **09-03**

(52) **U.S. Cl.** **D9/761; D7/629; D9/737**

(58) **Field of Classification Search** D7/602,
D7/629, 538-542; D9/424-432, 761, 737;
D3/273; 220/669-673, 675, 574-575, 573.1,
220/660, 326, 236, 780-806, 23.83, 23.8,
220/4.21, 4.24, 288, 260; 229/107, 406,
229/407, 120, 125.17, 902-906

See application file for complete search history.

(56) **References Cited**

U.S. PATENT DOCUMENTS

3,107,027	A *	10/1963	Hong	220/23.8
D375,259	S *	11/1996	Whitehead	D9/761
D392,882	S *	3/1998	Pfirmann et al.	D9/737
D427,525	S *	7/2000	Hayes et al.	D9/761
D451,018	S *	11/2001	Chen et al.	D9/737
D489,579	S *	5/2004	Wright	D7/629
D551,546	S *	9/2007	Ramirez et al.	D9/761
D552,487	S *	10/2007	Chou	D9/737
D571,655	S *	6/2008	Lovett	D9/737
7,451,889	B2 *	11/2008	Mantis	220/530
D615,396	S	5/2010	Changpan		
D626,863	S *	11/2010	Lovett	D9/761
7,874,449	B1 *	1/2011	Studee et al.	220/502
D645,342	S	9/2011	Allers et al.		
D645,343	S	9/2011	Allers et al.		

FOREIGN PATENT DOCUMENTS

CN	301193416	S	5/2010
CN	301306333	S	8/2010
CN	301436124	S	1/2011
CN	301578778	S	6/2011

* cited by examiner

Primary Examiner — Terry Wallace

(74) *Attorney, Agent, or Firm* — The Farrell Law Firm, P.C.

(57) **CLAIM**

The ornamental design for a food container, as shown and described.

DESCRIPTION

FIG. 1 is a top perspective view of a food container showing my new design with a lid closed;

FIG. 2 is a front top perspective view of the food container with the lid closed;

FIG. 3 is a front top perspective view of the food container with the lid separated;

FIG. 4 is a front bottom perspective view of the food container with the lid separated;

FIG. 5 is a rear view of the food container with the lid separated;

FIG. 6 is a left side view of the food container with the lid separated;

FIG. 7 is a rear view of the food container with the lid closed;

FIG. 8 is a front view of the food container with the lid closed;

FIG. 9 is a right side view of the food container with the lid closed;

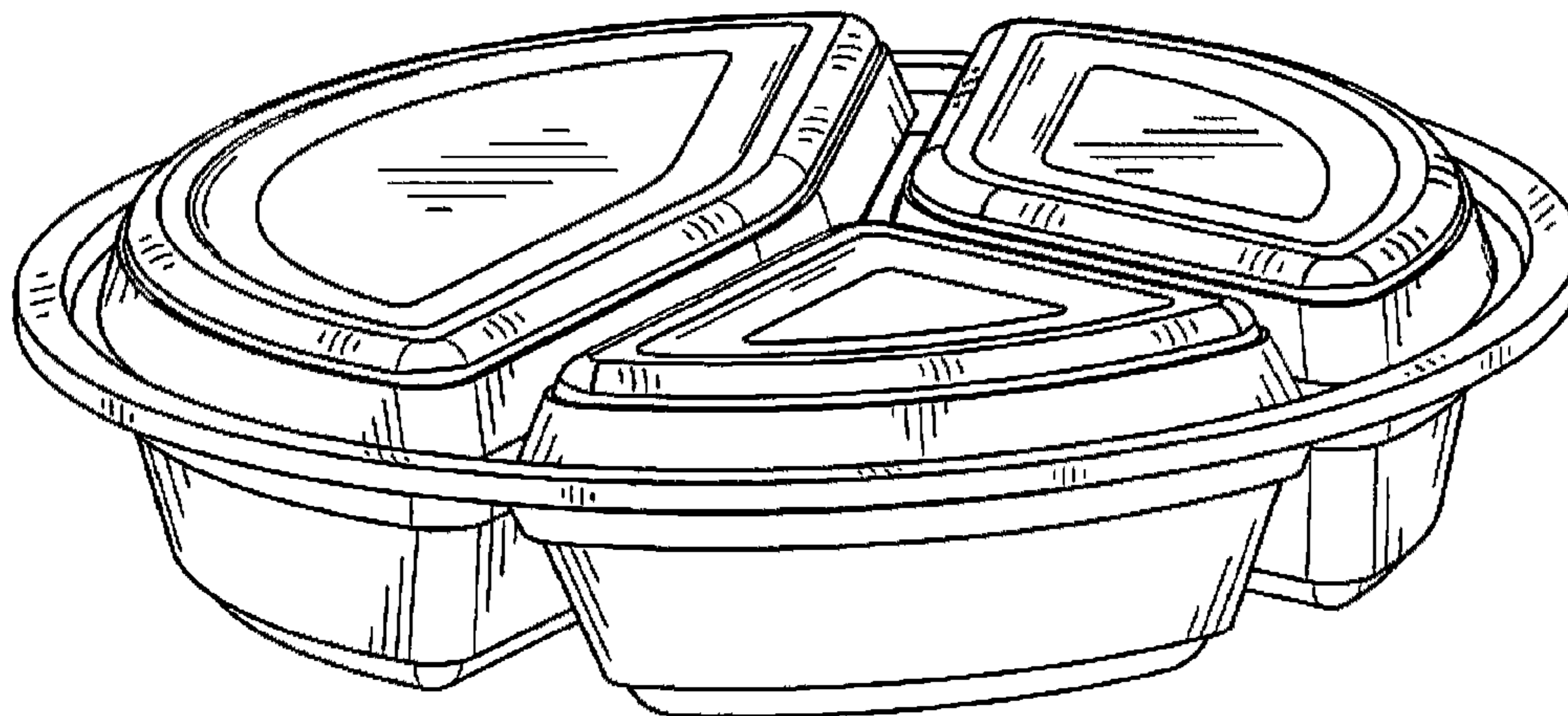
FIG. 10 is a left side view of the food container with the lid closed;

FIG. 11 is a top view of the food container; and,

FIG. 12 is a bottom view thereof of the food container.

The broken lines in the drawings are for illustrative purposes only and form no part of the claimed design.

1 Claim, 12 Drawing Sheets



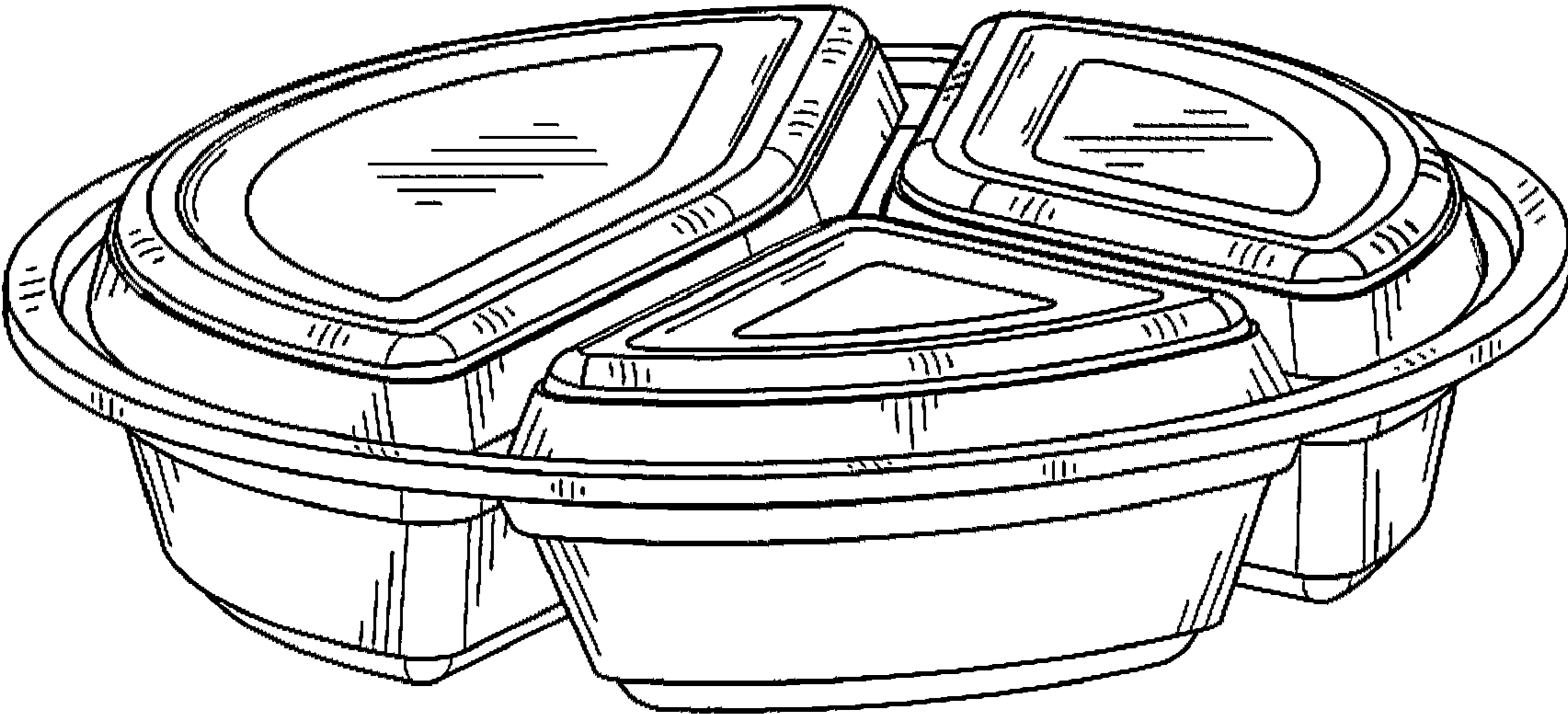


FIG.1

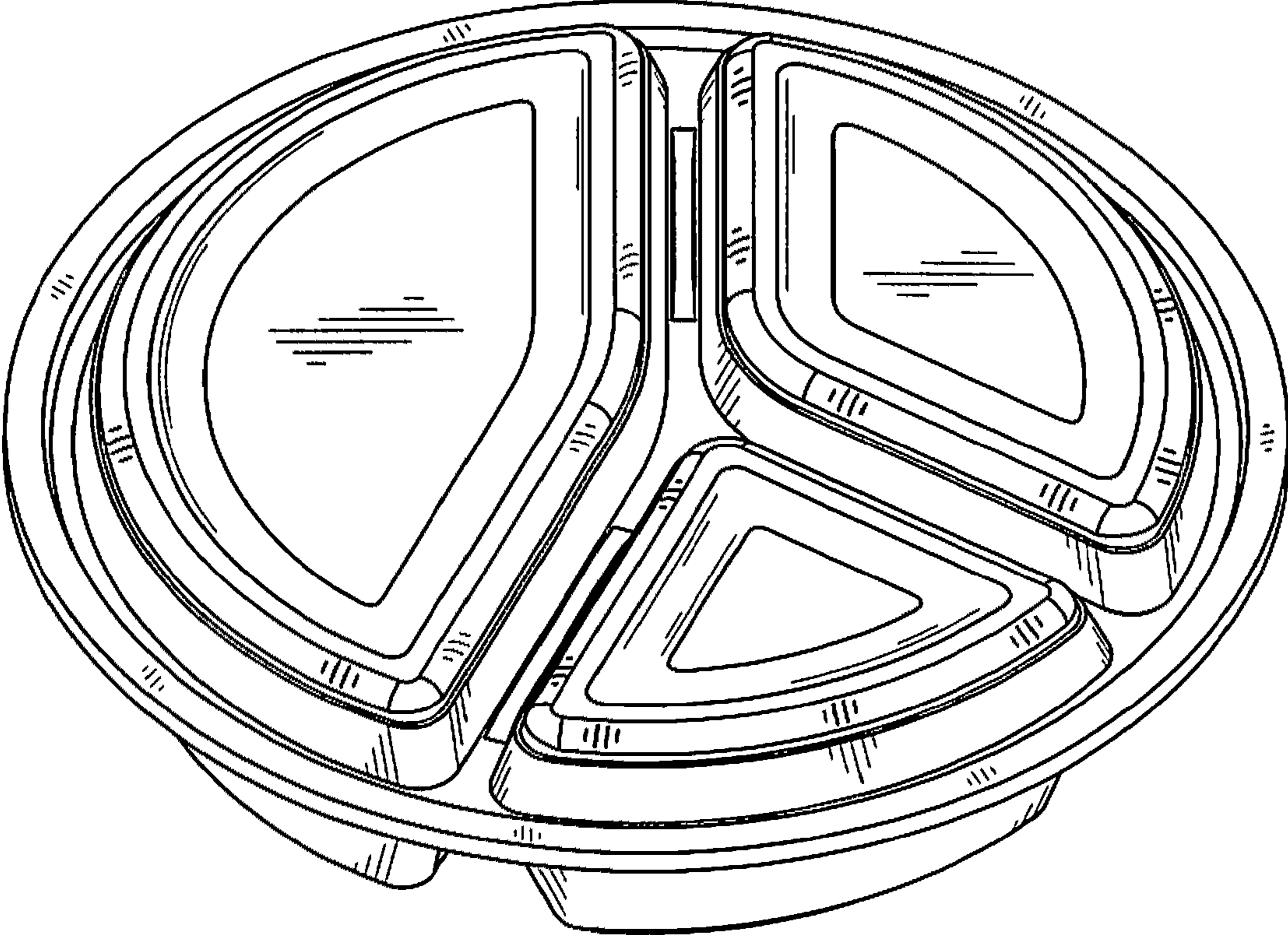


FIG.2

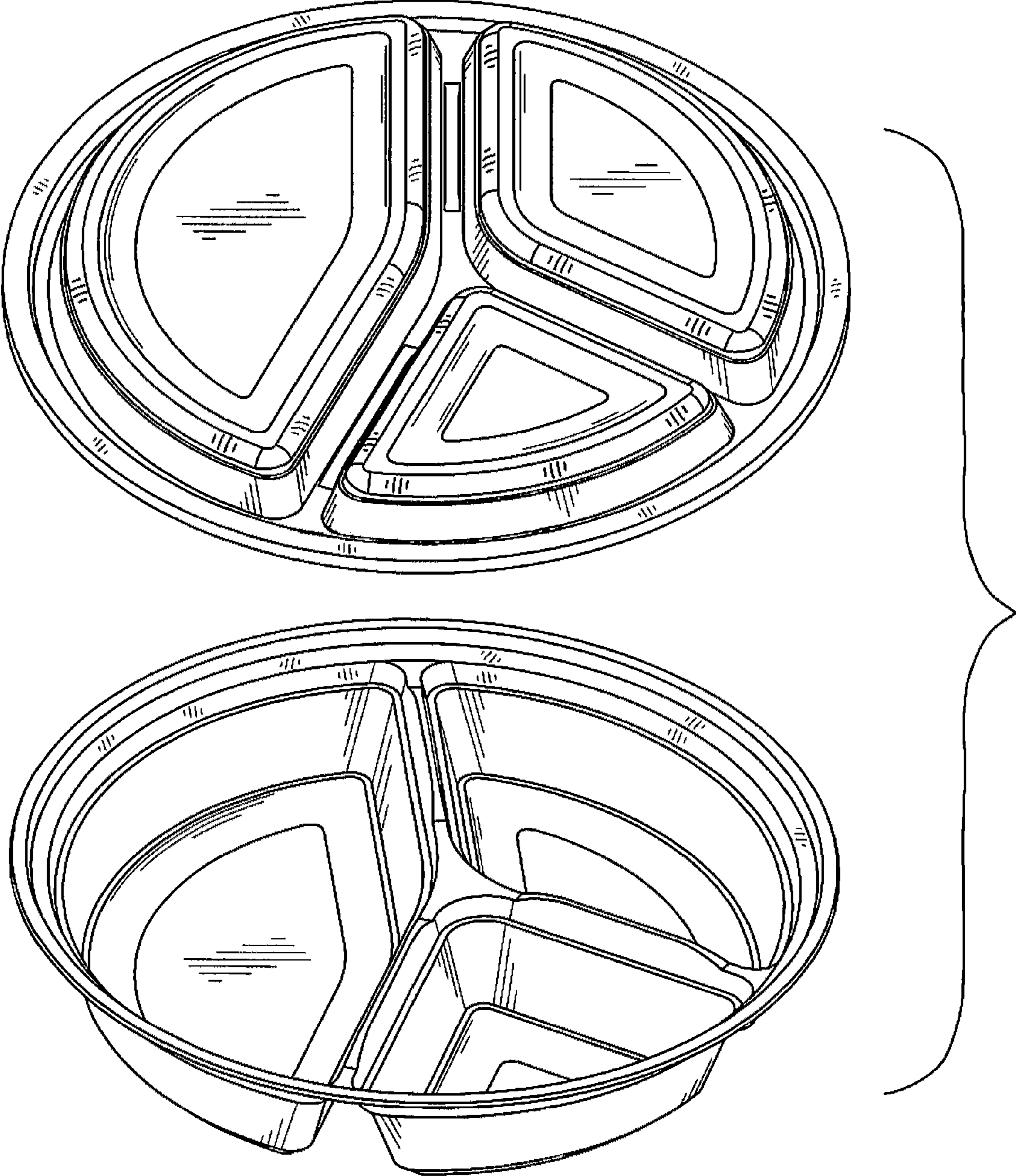


FIG.3

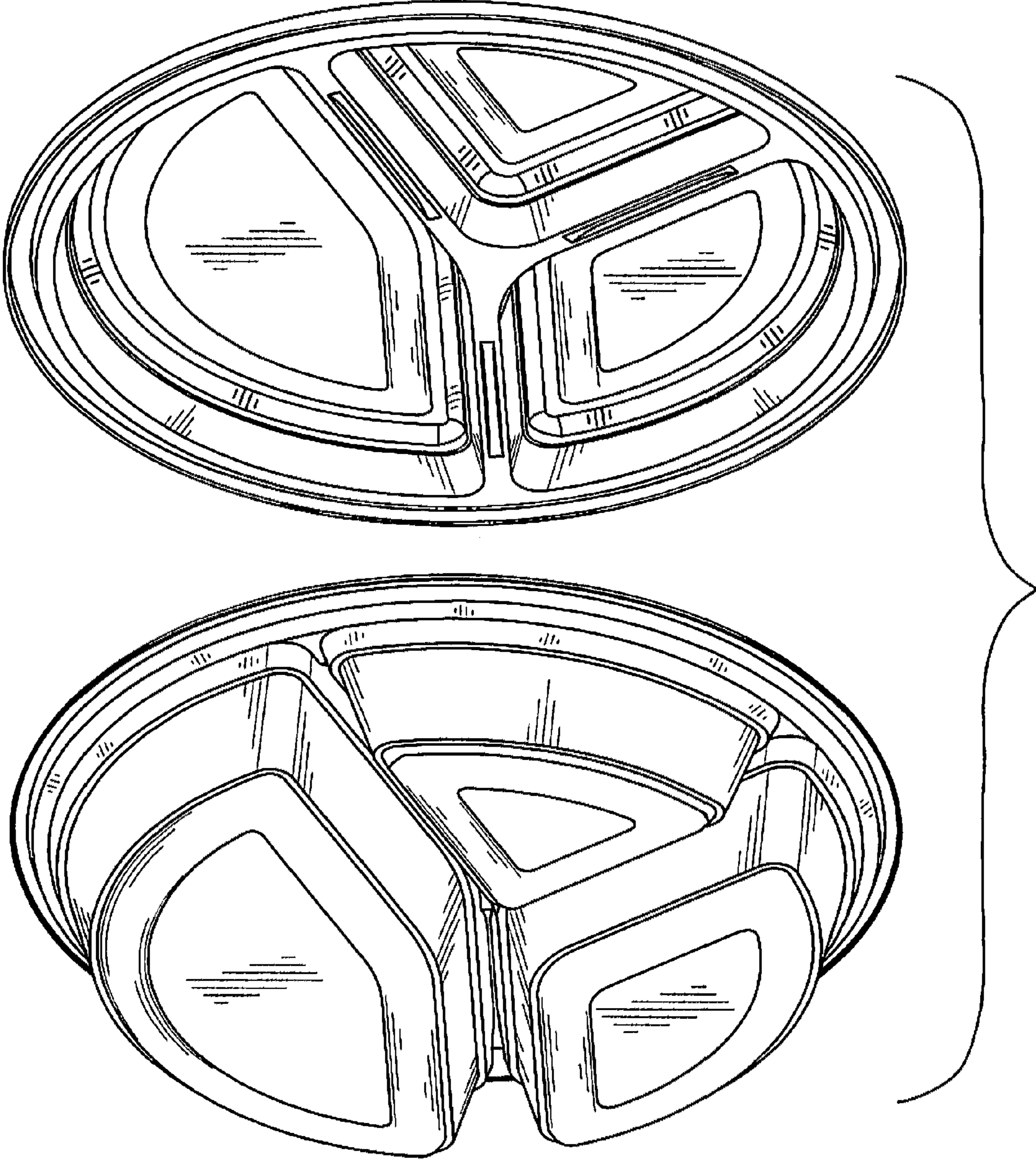


FIG.4

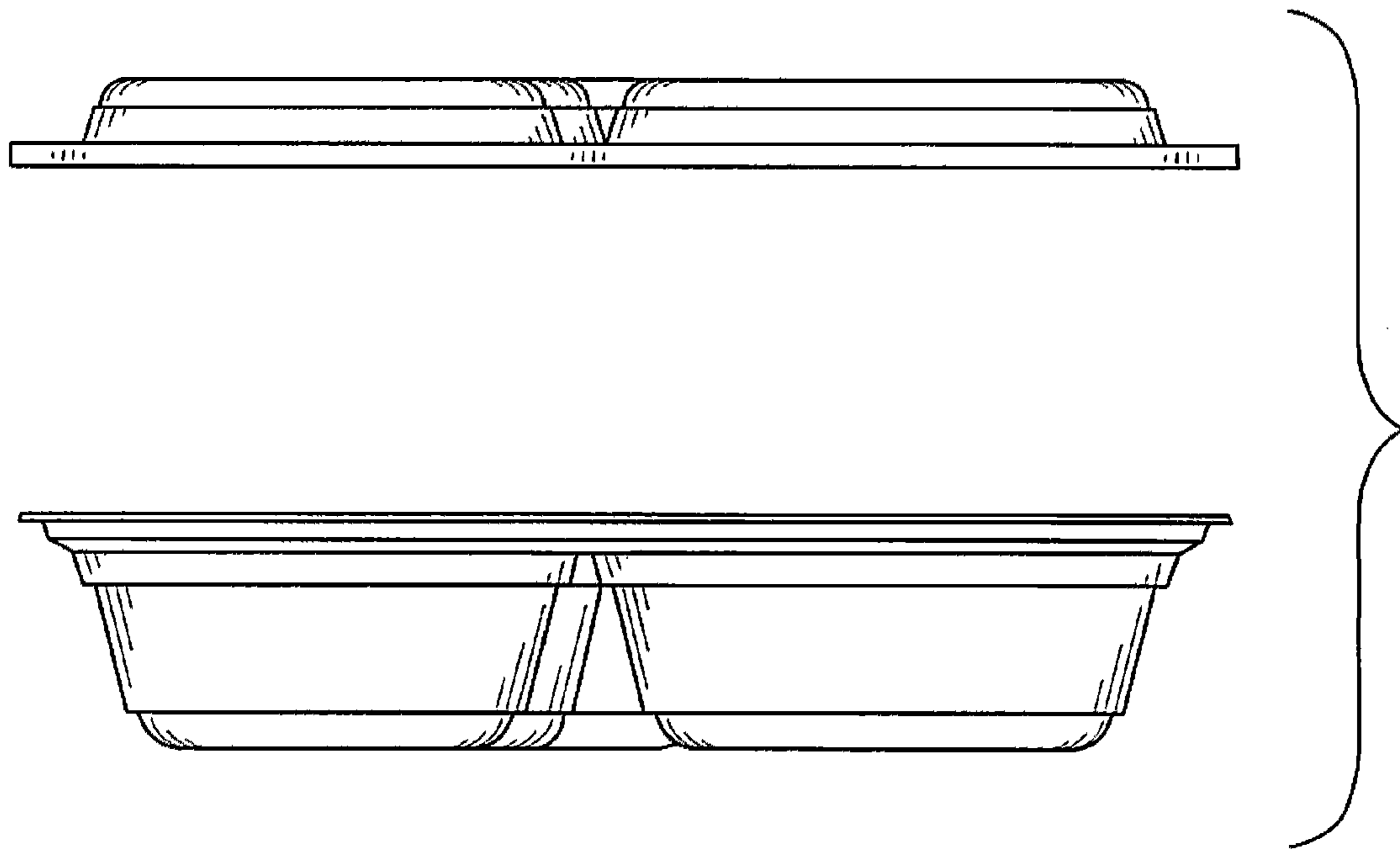


FIG. 5

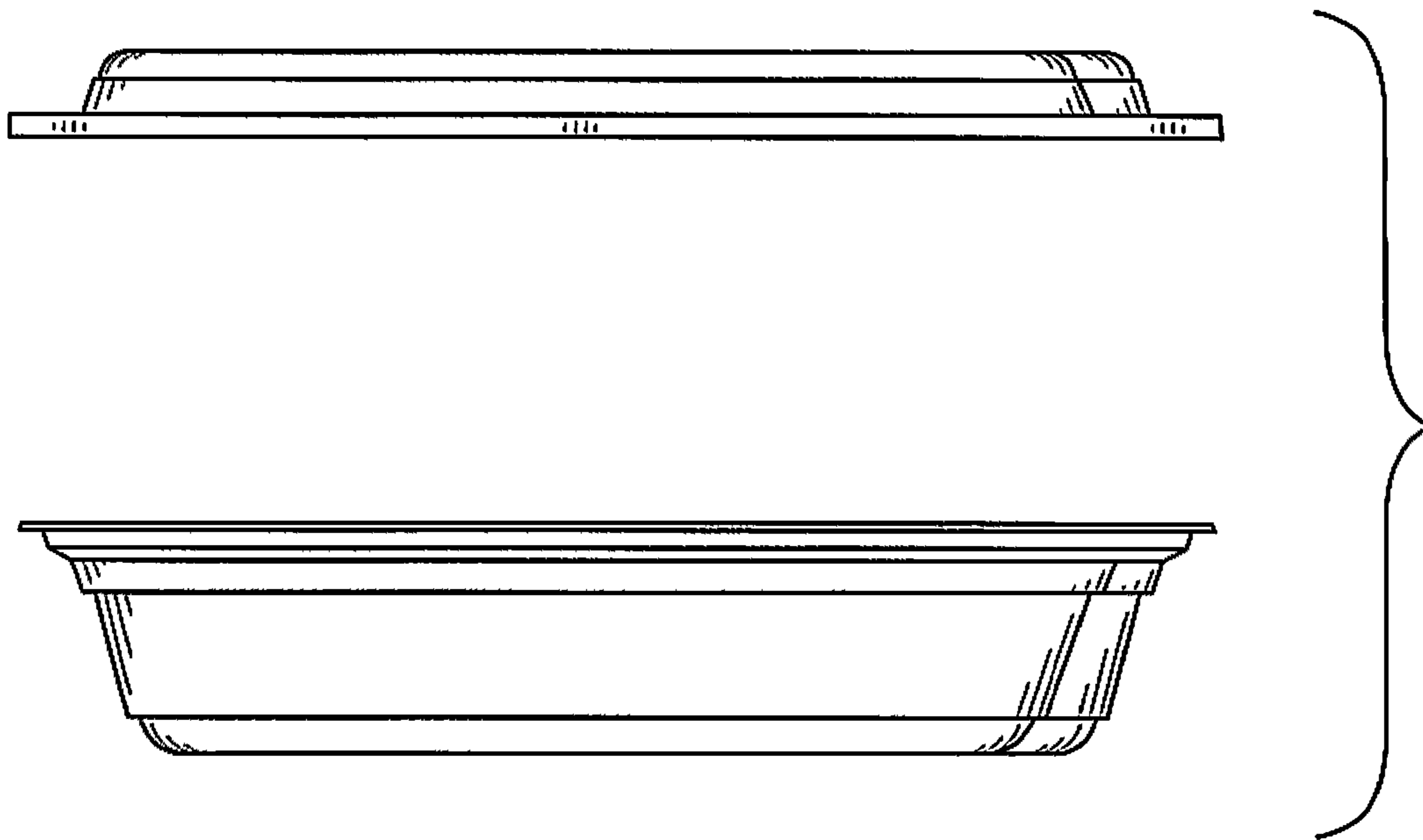


FIG.6

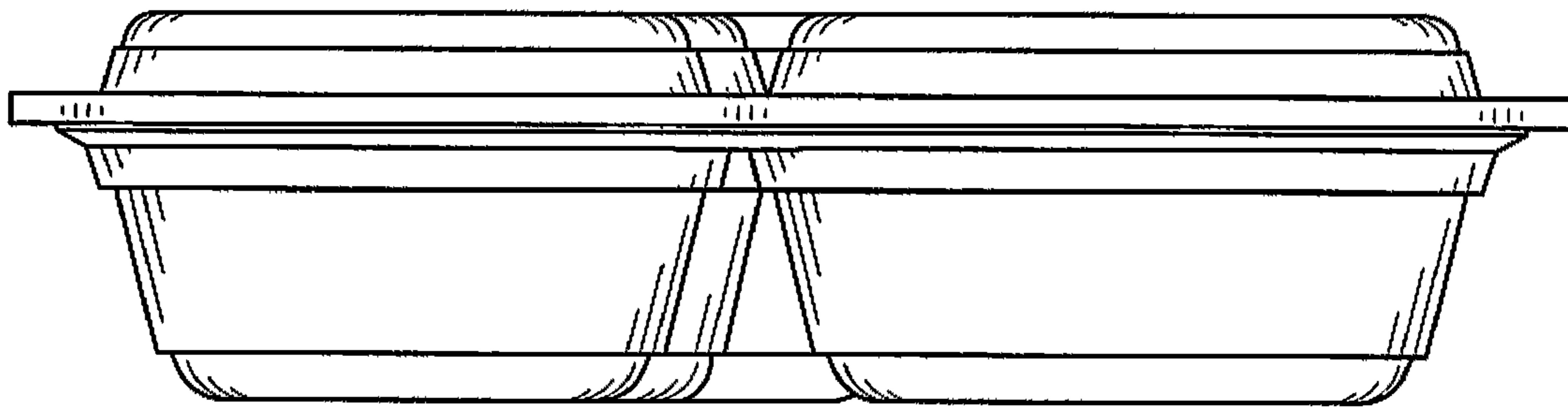


FIG. 7

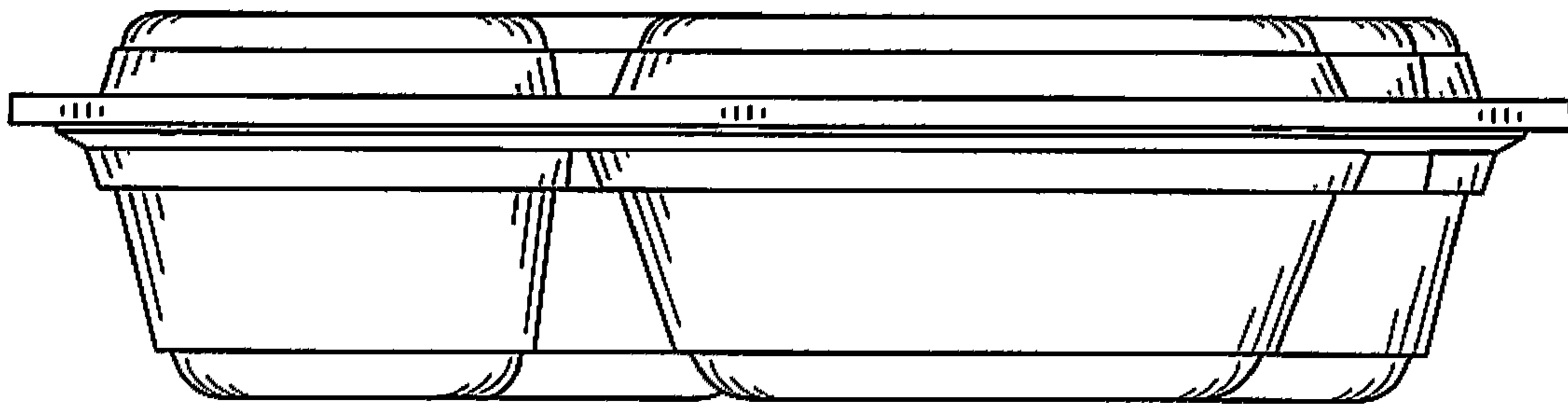


FIG.8

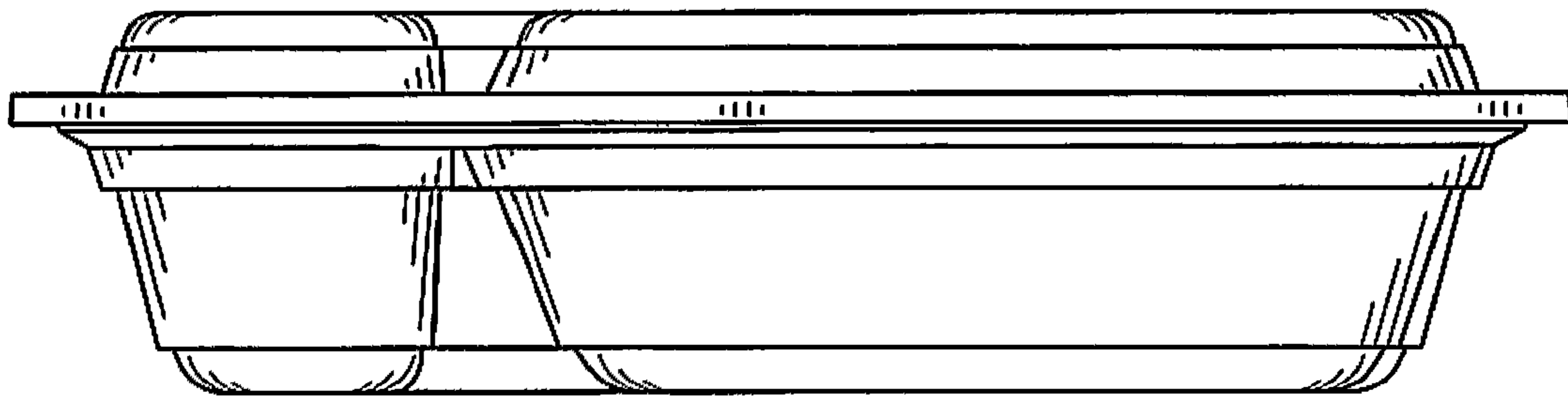


FIG.9

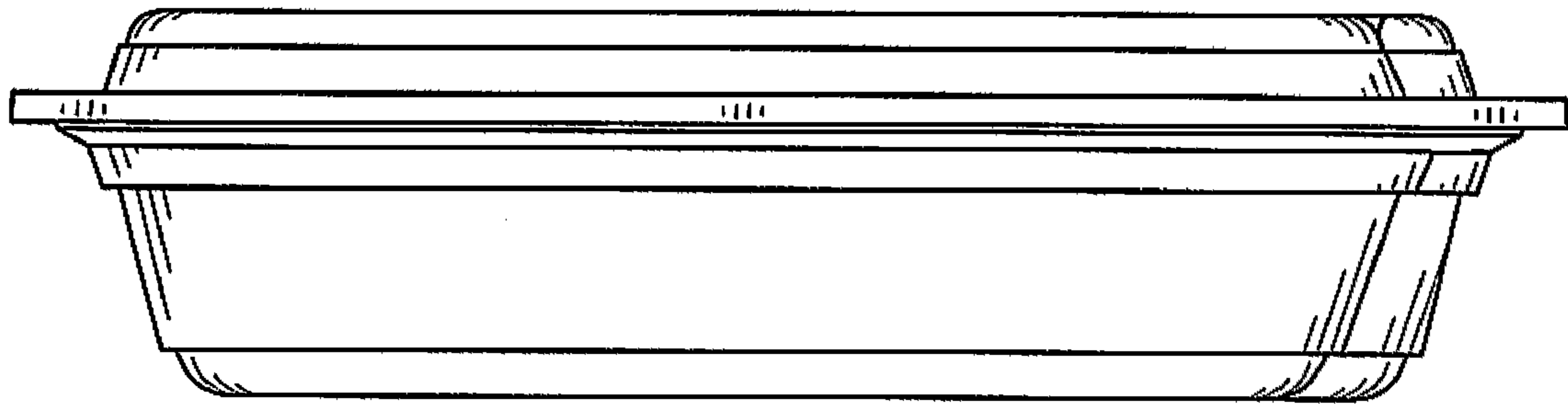


FIG.10

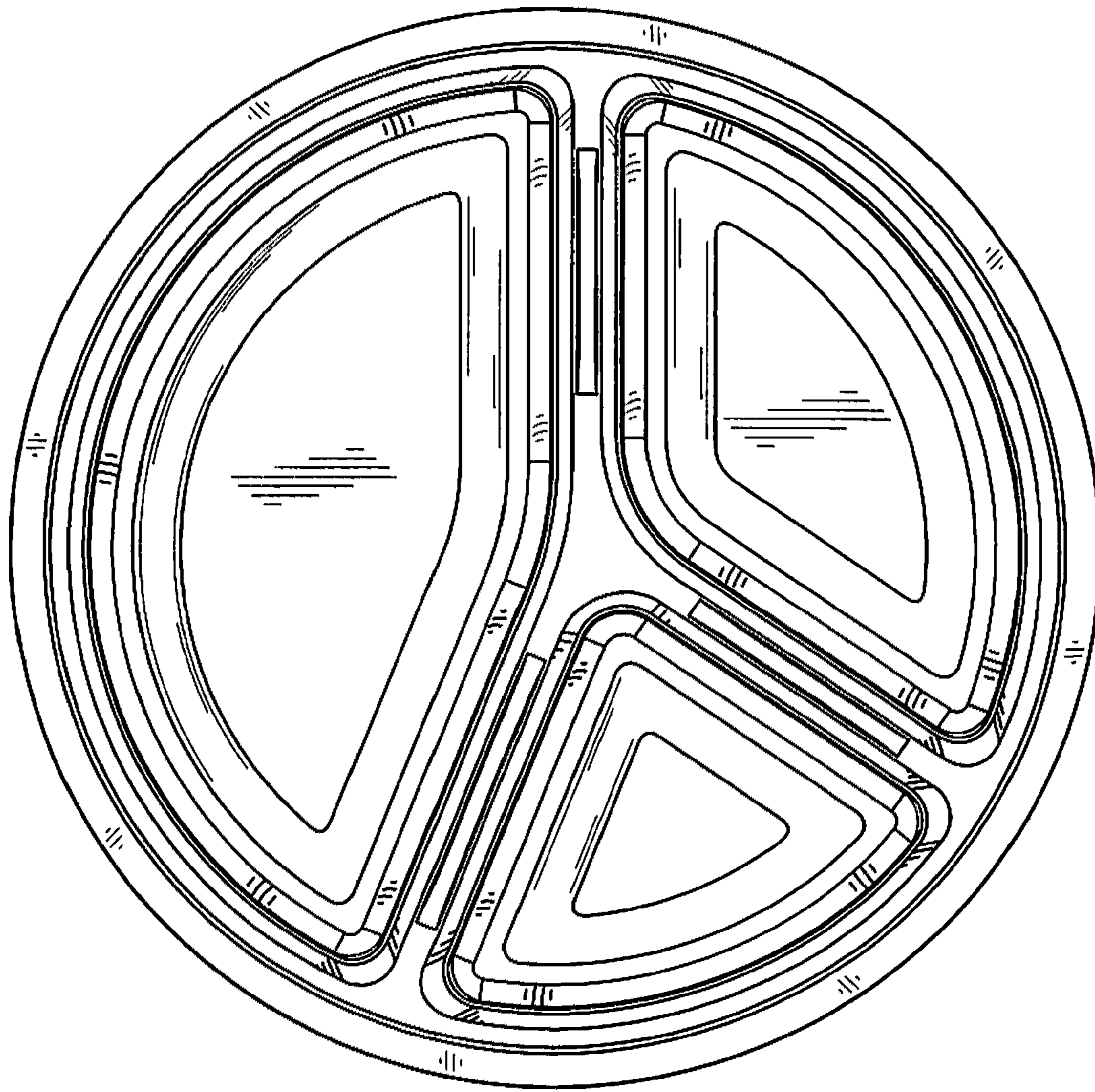


FIG.11

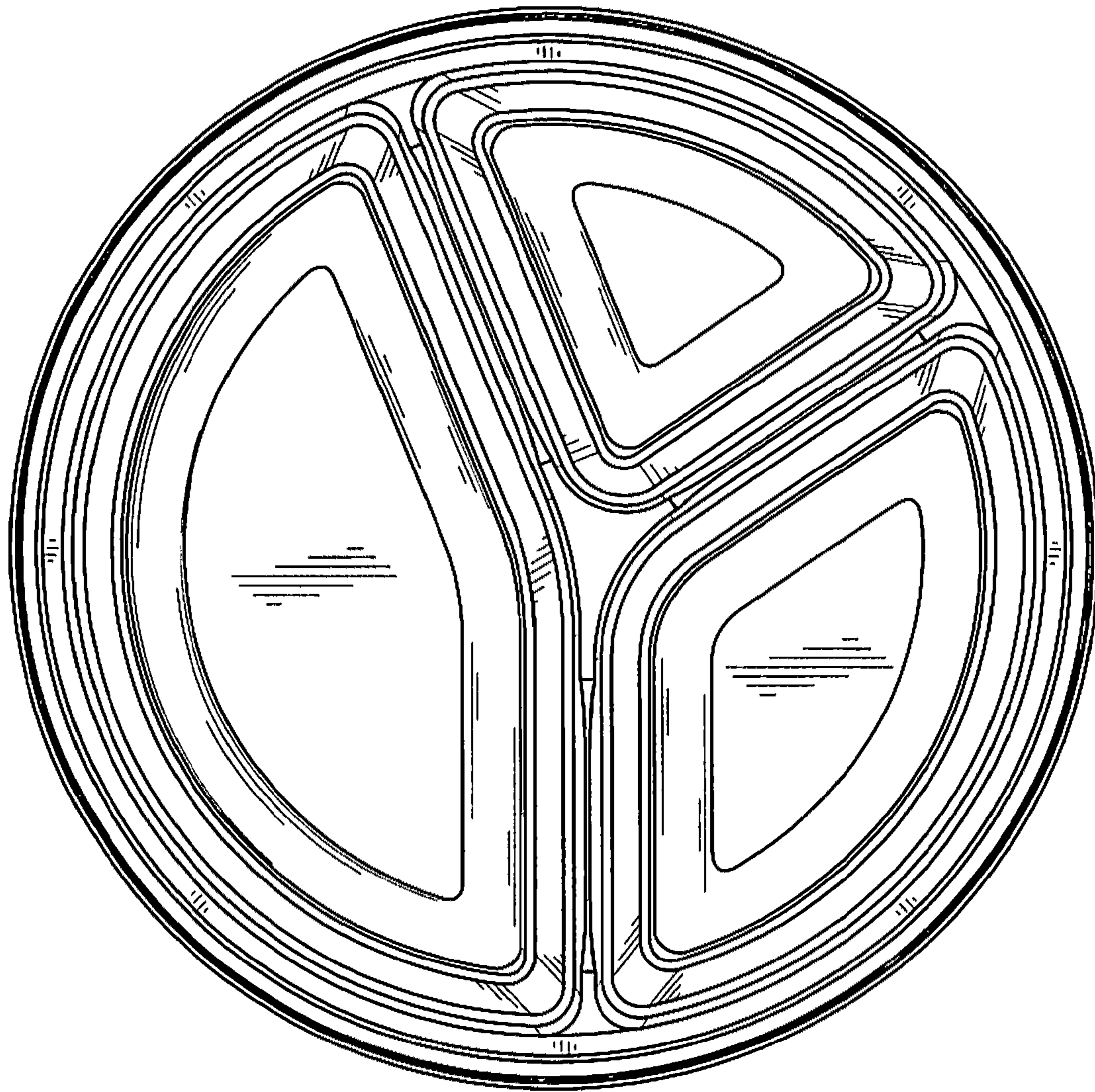


FIG.12