

US00D665674S

(12) **United States Design Patent**  
**Wu**

(10) **Patent No.:** **US D665,674 S**

(45) **Date of Patent:** **\*\* Aug. 21, 2012**

(54) **FOOD CONTAINER**

(76) Inventor: **Jingdong Wu**, Taishan (CN)

(\*\*) Term: **14 Years**

(21) Appl. No.: **29/407,193**

(22) Filed: **Nov. 23, 2011**

(51) **LOC (9) Cl.** ..... **09-03**

(52) **U.S. Cl.** ..... **D9/730; D9/737; D7/629**

(58) **Field of Classification Search** ..... D7/601,  
D7/602, 629, 630, 538-542, 612-615; D9/424-432;  
220/780-802, 675, 574-575, 236, 326, 4.23-4.25,  
220/256.1

See application file for complete search history.

(56) **References Cited**

**U.S. PATENT DOCUMENTS**

246,289	A	11/1977	Boucher	
D246,289	S *	11/1977	Boucher	D7/602
251,657	A	4/1979	Jewell	
4,787,527	A *	11/1988	Monetti	220/557
4,819,824	A *	4/1989	Longbottom et al.	220/266
4,976,370	A *	12/1990	Cassel	220/792
D351,090	S *	10/1994	Narsutis	D7/629
D439,159	S *	3/2001	Chen	D9/425
D449,495	S *	10/2001	Tucker et al.	D7/629
D466,808	S *	12/2002	Liu et al.	D9/425
D468,637	S *	1/2003	Chou	D9/425
D469,689	S *	2/2003	Buchalski et al.	D9/425
D502,061	S *	2/2005	Dais et al.	D7/629
D503,336	S *	3/2005	Tucker et al.	D9/425
D517,311	S *	3/2006	Kim	D3/218
D541,598	S *	5/2007	Kim	D7/629
D546,632	S *	7/2007	Oberloier	D7/629

D551,515	S *	9/2007	Ablo et al.	D7/629
D606,812	S *	12/2009	Wu	D7/629
D610,878	S *	3/2010	Kim	D7/629
610,879	A1	3/2010	Kim	
D611,807	S *	3/2010	Miga, Jr.	D9/424
D614,919	S *	5/2010	Carlson	D7/602
D614,950	S *	5/2010	Colacitti	D9/425
D618,516	S *	6/2010	DiPietro et al.	D7/629
2008/0116098	A1 *	5/2008	Marooflan et al.	206/503

\* cited by examiner

*Primary Examiner* — Terry Wallace

(74) *Attorney, Agent, or Firm* — The Farrell Law Firm, P.C.

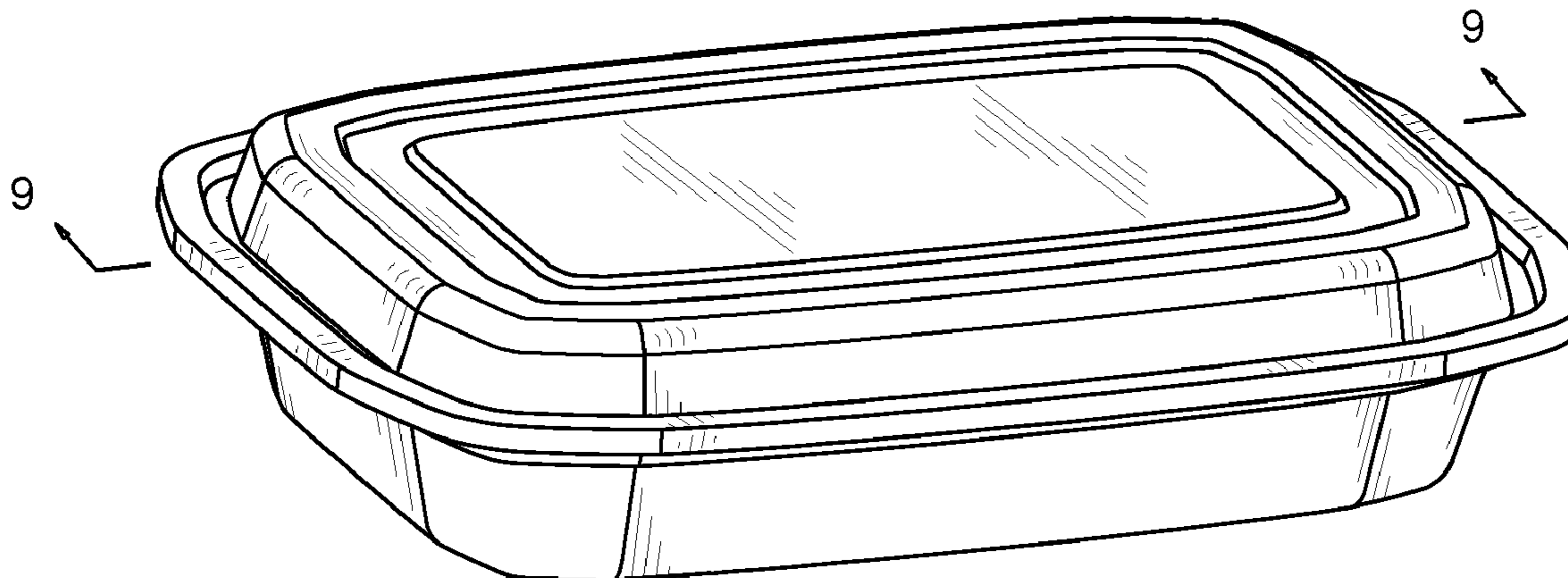
(57) **CLAIM**

The ornamental design for a food container, as shown and described.

**DESCRIPTION**

FIG. 1 is a top perspective view of a food container showing my new design with a lid closed;  
 FIG. 2 is a front view thereof with the lid closed, the rear view with the lid closed being identical;  
 FIG. 3 is a top view thereof;  
 FIG. 4 is a bottom view thereof;  
 FIG. 5 is a side view thereof with the lid closed, the opposite side view with the lid closed being identical;  
 FIG. 6 is a bottom perspective view thereof with the lid closed;  
 FIG. 7 is a top perspective view thereof with the lid separated;  
 FIG. 8 is a bottom perspective view thereof with the lid separated; and,  
 FIG. 9 is a cross sectional view thereof along line 9-9 of FIG. 1.

**1 Claim, 9 Drawing Sheets**



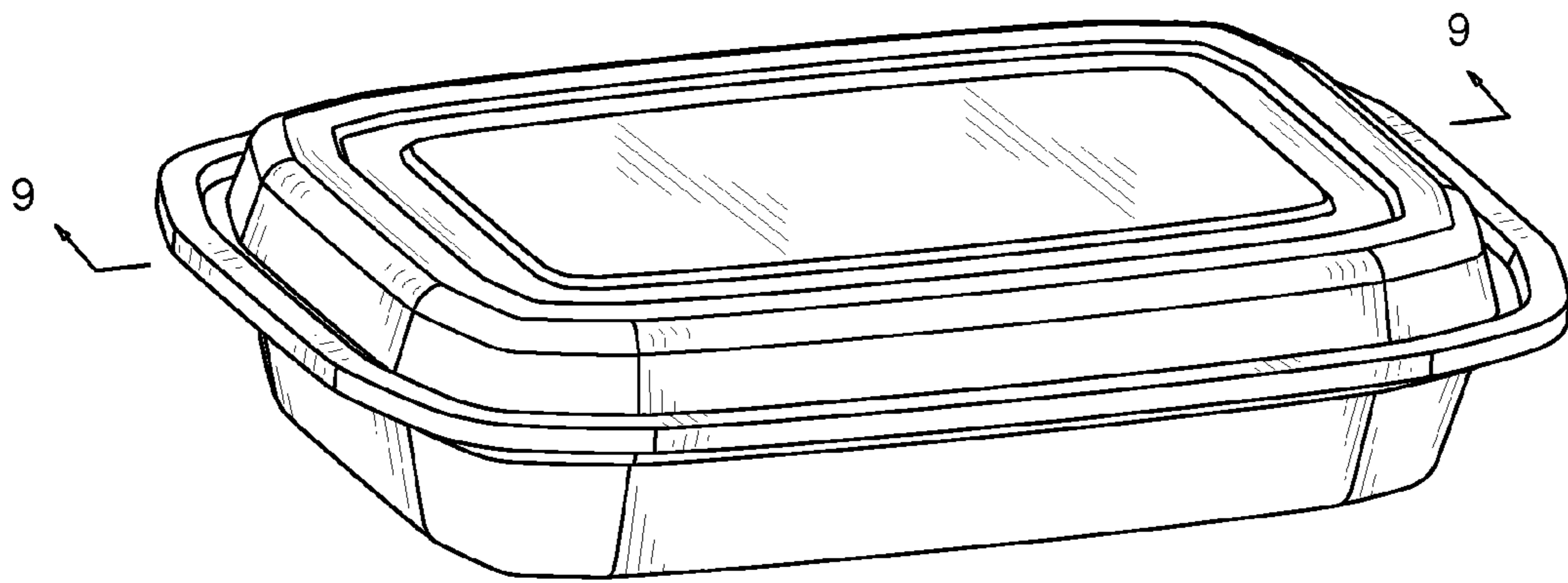


FIG. 1

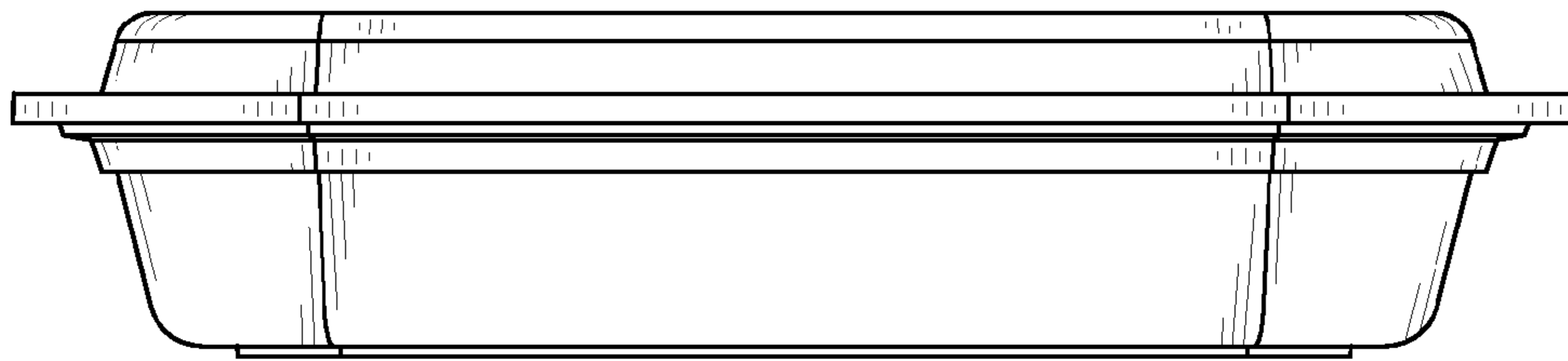


FIG. 2

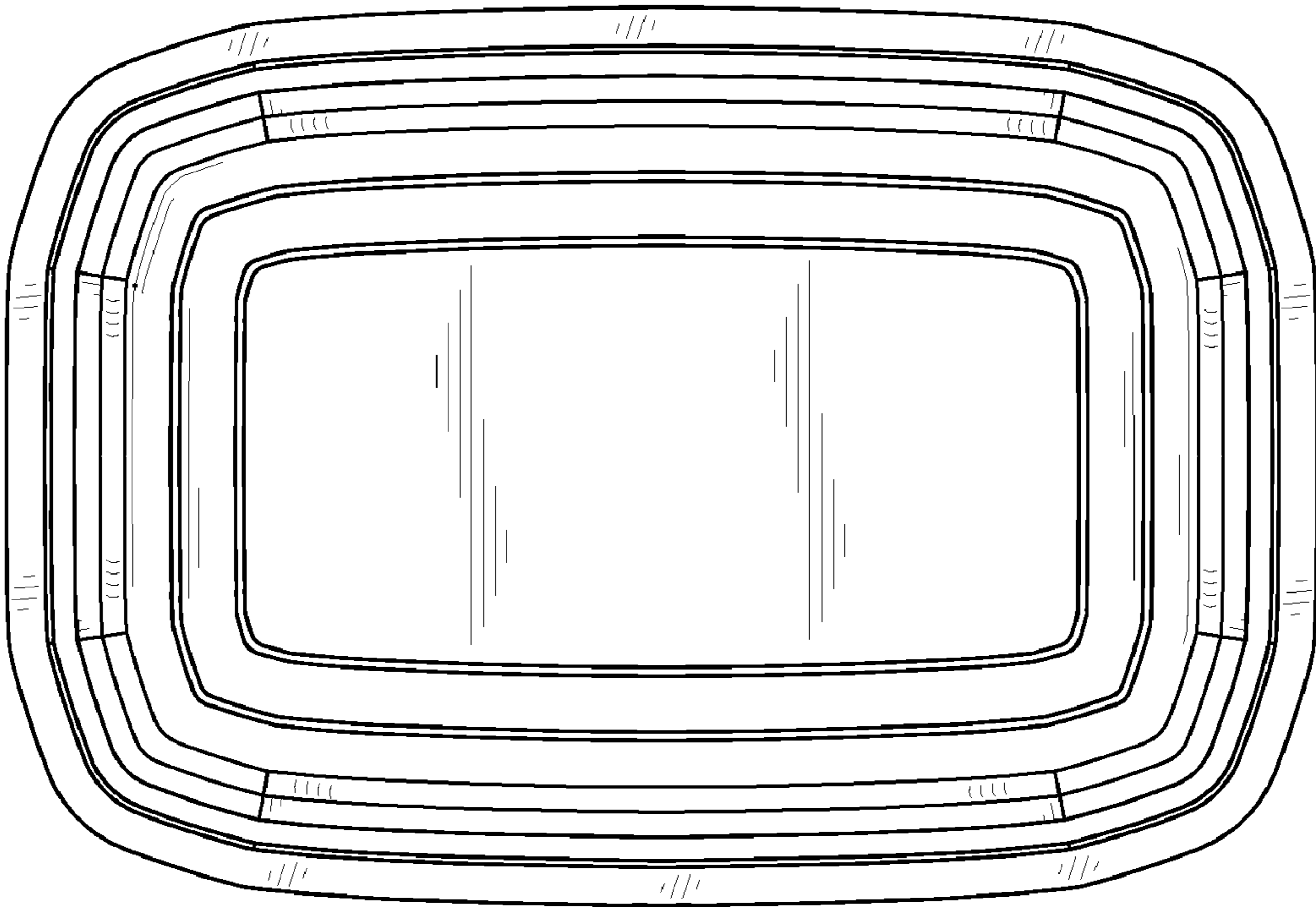


FIG. 3

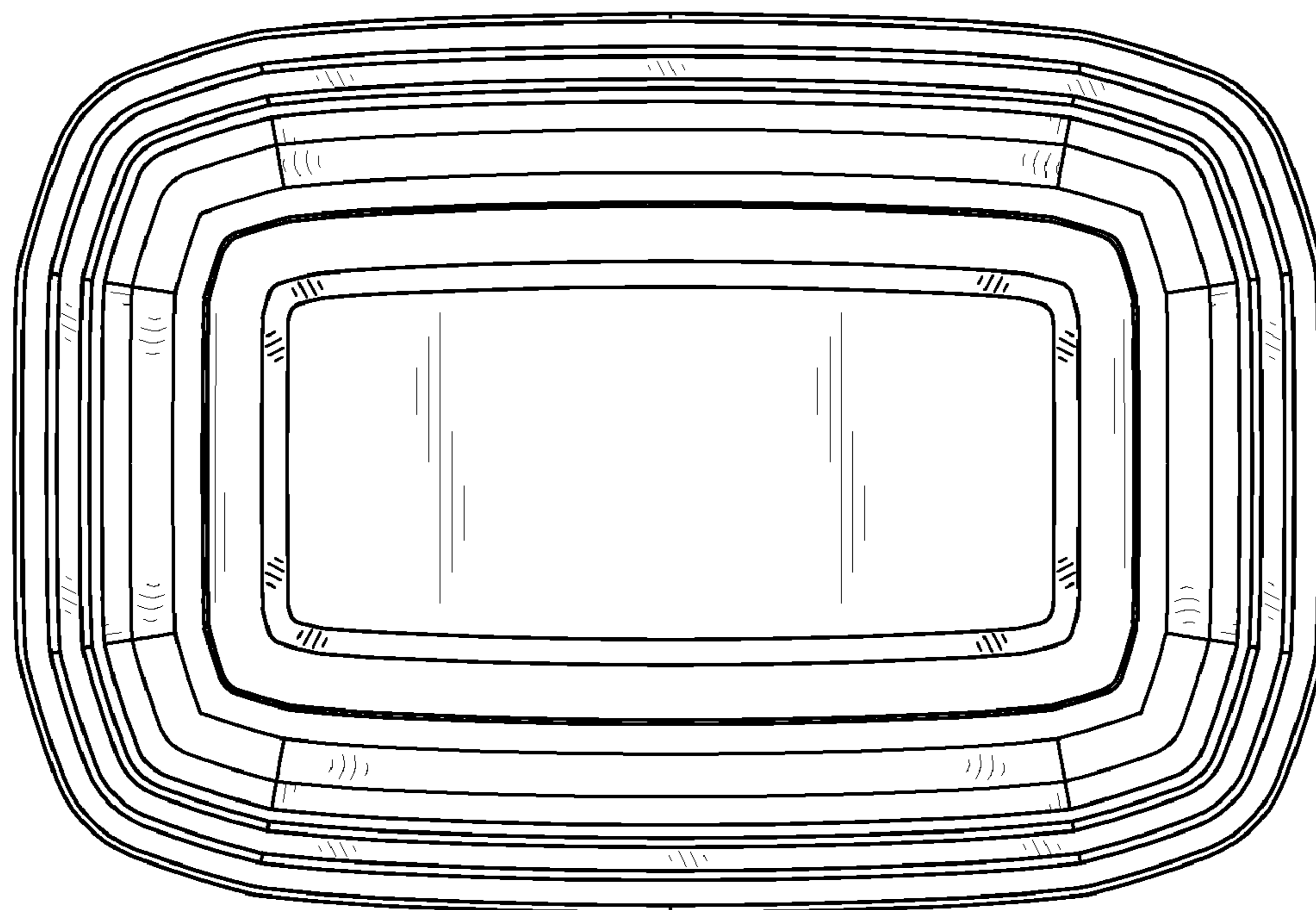


FIG. 4

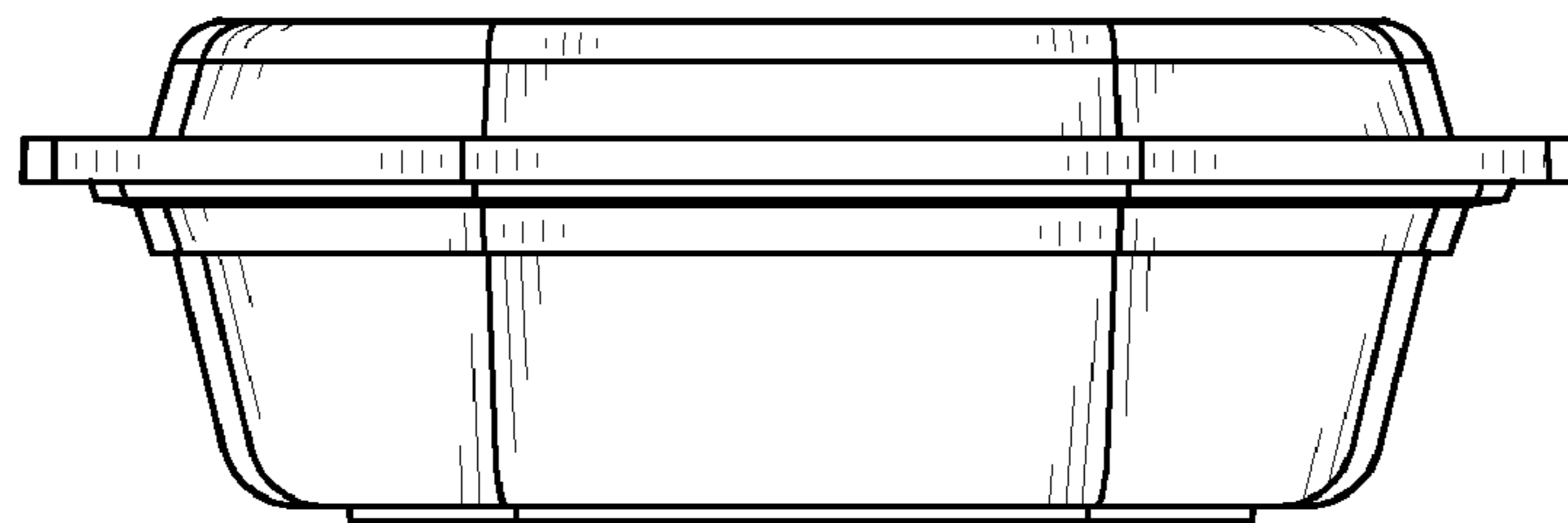


FIG. 5



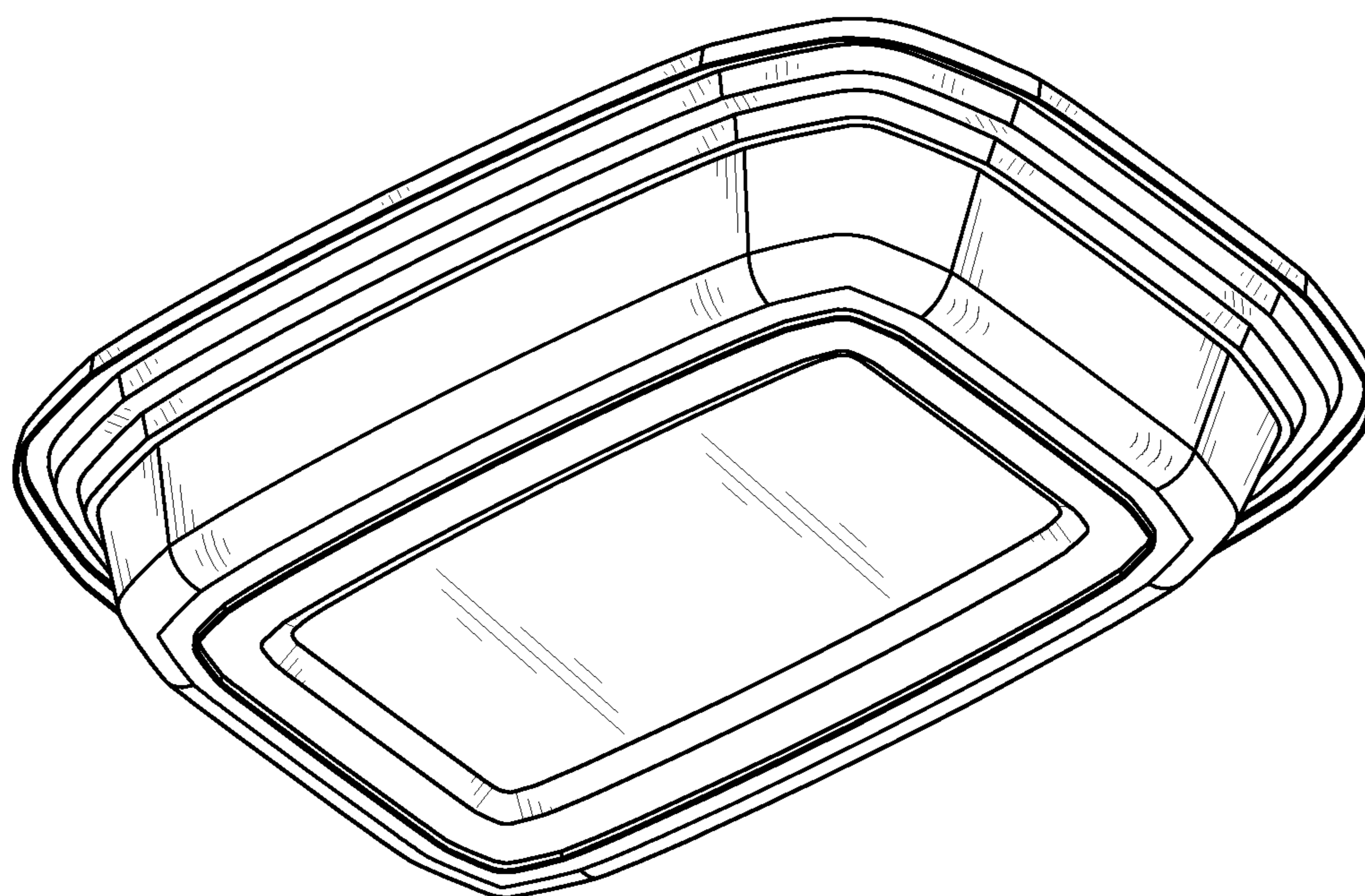


FIG. 6

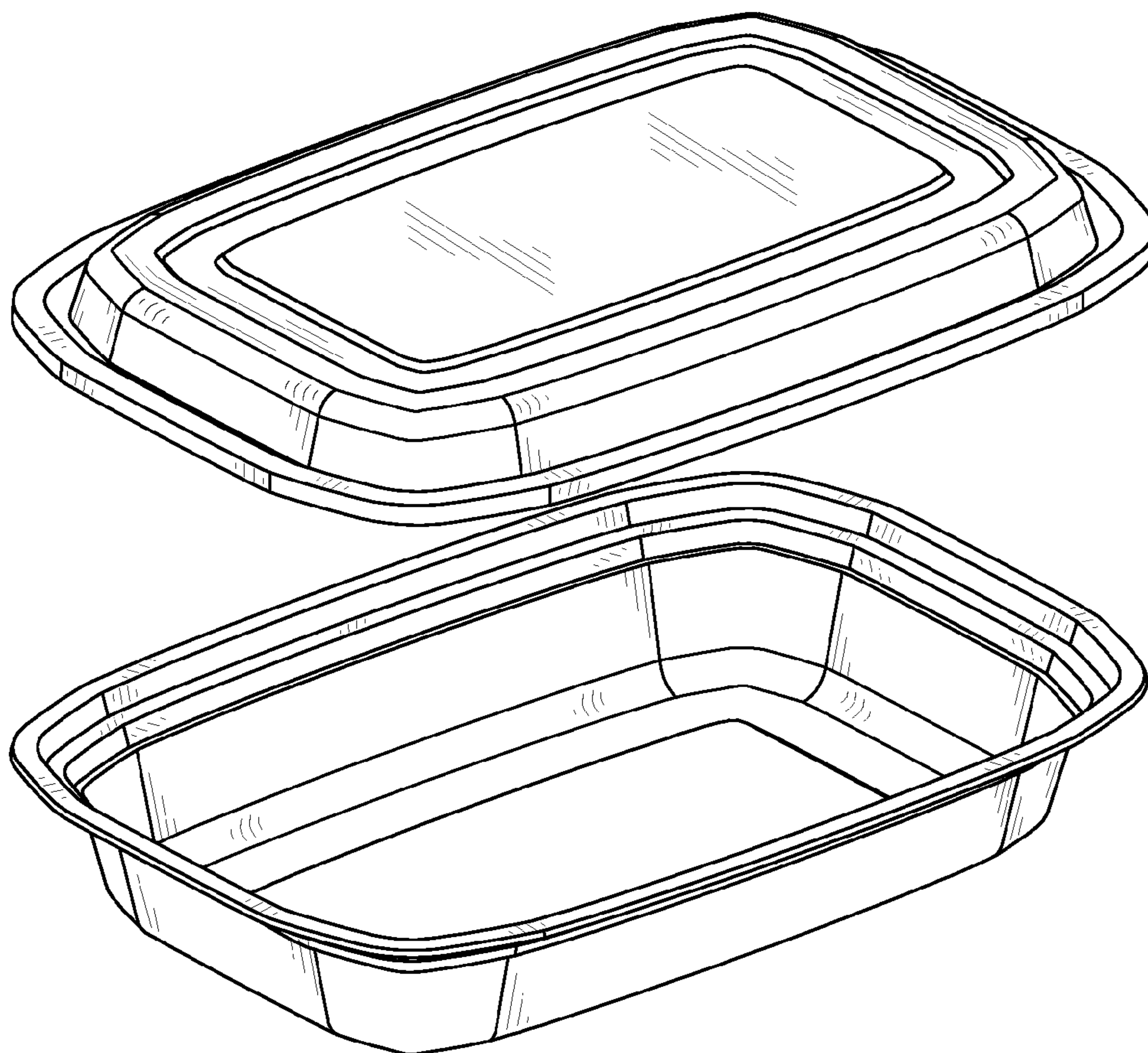


FIG. 7



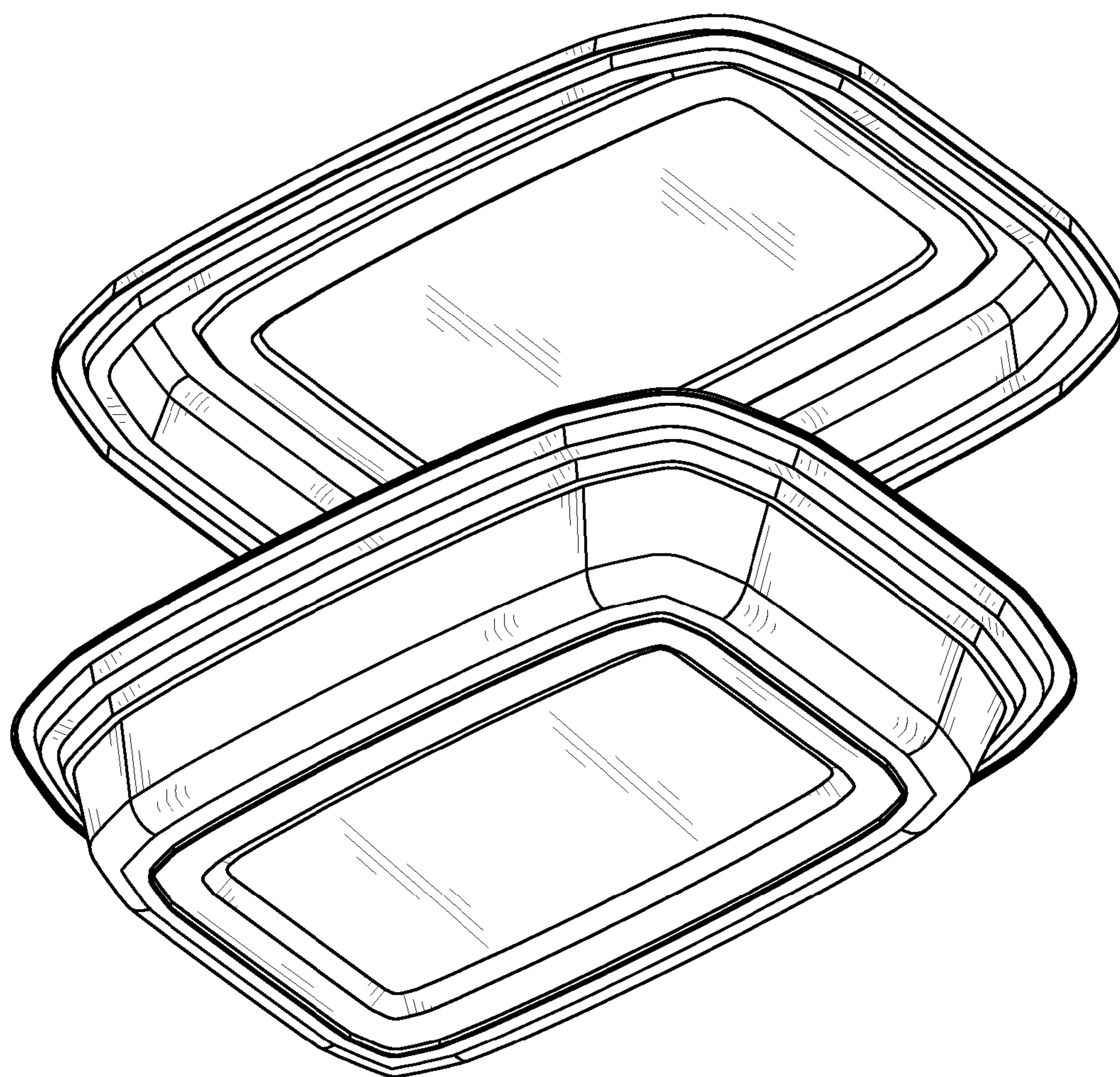


FIG. 8

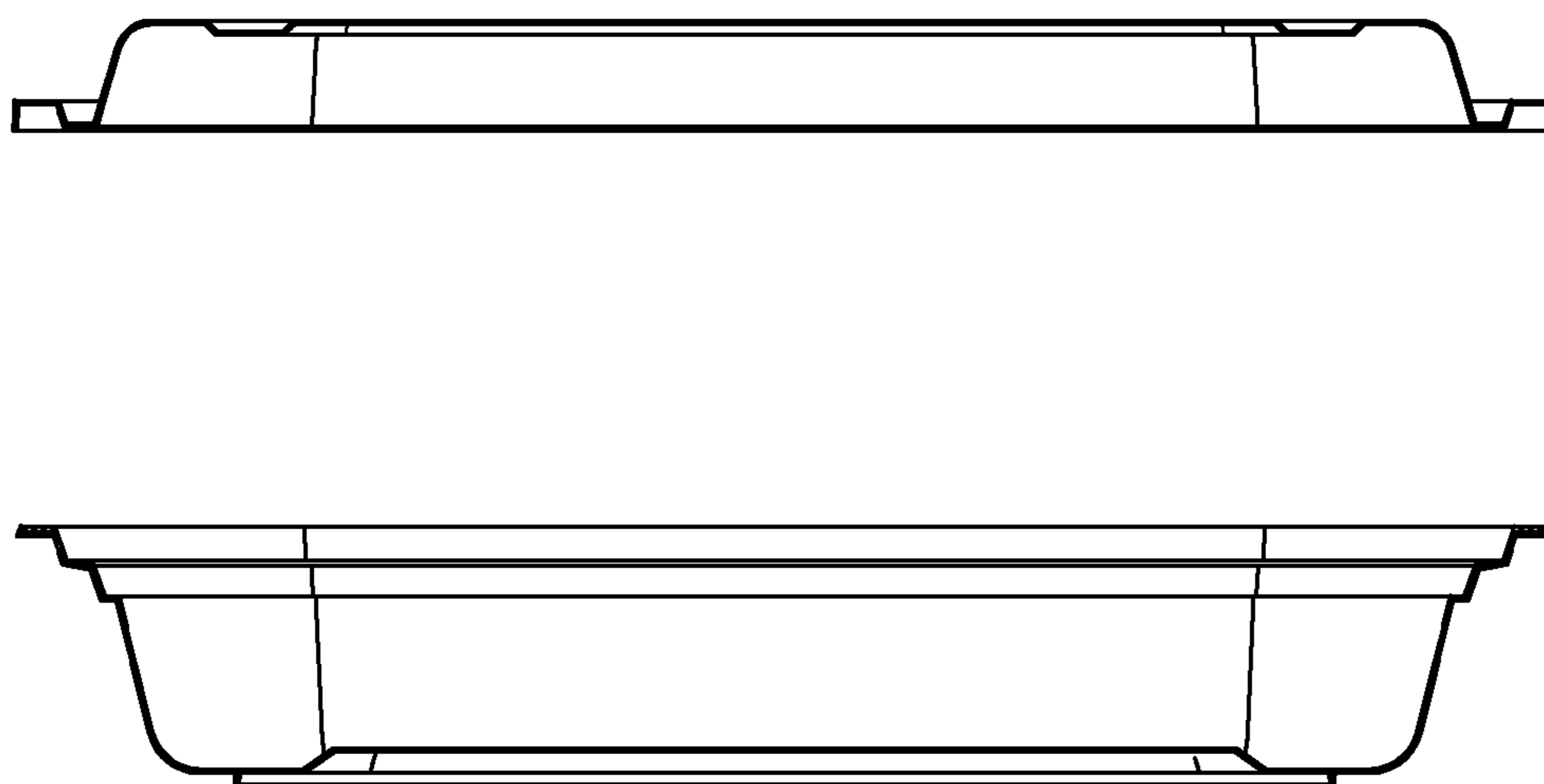


FIG. 9