



US00D665671S

(12) **United States Design Patent**  
**Loetz et al.**

(10) **Patent No.:** **US D665,671 S**  
(45) **Date of Patent:** **\*\* Aug. 21, 2012**

(54) **BUBBLE SOLUTION BOTTLE**

(75) Inventors: **Lee R. Loetz**, Valley Village, CA (US);  
**Arthur S. Hirsch**, Northridge, CA (US)

(73) Assignee: **Imperial Toy, LLC**, North Hills, CA  
(US)

(\*\*) Term: **14 Years**

(21) Appl. No.: **29/379,640**

(22) Filed: **Nov. 22, 2010**

(51) **LOC (9) Cl.** ..... **09-01**

(52) **U.S. Cl.** ..... **D9/529; D9/538; D9/551; D9/552;**  
**D9/553; D9/554; D9/445; D9/454**

(58) **Field of Classification Search** ..... **D9/516,**  
**D9/520, 537-541, 549, 551-554, 556, 558,**  
**D9/574-575, 439, 441, 445, 454; 215/381-385**  
See application file for complete search history.

(56) **References Cited**

**U.S. PATENT DOCUMENTS**

D72,873 S *	6/1927	Stewart	.....	D9/551
D87,142 S *	6/1932	Barbiers	.....	D9/516 X
D107,433 S *	12/1937	Lorenzen	.....	D9/552 X
D155,073 S *	9/1949	Broadhead	.....	D9/558
D186,413 S *	10/1959	Vuilleminot	.....	D9/542
D207,189 S *	3/1967	Thomsos et al.	.....	D9/558
D216,094 S *	11/1969	Lawton	.....	D9/551 X
D235,187 S *	5/1975	Archenbach	.....	D7/391
D322,212 S *	12/1991	Bourassa et al.	.....	D9/600
D333,268 S *	2/1993	Arlinghaus et al.	.....	D9/538
D344,236 S *	2/1994	Drounau	.....	D9/552 X
D408,290 S *	4/1999	Verdura et al.	.....	D9/543
D417,156 S *	11/1999	Veysiere	.....	D9/552

D471,438 S *	3/2003	Bianco et al.	.....	D9/600
D494,854 S *	8/2004	Matauch	.....	D9/551 X
D495,599 S *	9/2004	Biesecker	.....	D9/454 X
D513,185 S *	12/2005	Ruiz	.....	D9/504
D550,562 S *	9/2007	Yew	.....	D9/538
D556,591 S *	12/2007	Kort et al.	.....	D9/556 X
D567,665 S *	4/2008	Cheng	.....	D9/600
D572,140 S *	7/2008	Davis et al.	.....	D9/551
D574,254 S *	8/2008	Kruparova	.....	D9/645
D580,756 S *	11/2008	Seebold	.....	D9/439
D582,290 S *	12/2008	Dimmel et al.	.....	D9/558 X
D589,811 S *	4/2009	Williams	.....	D9/538
D598,780 S *	8/2009	Thorman	.....	D9/556

\* cited by examiner

*Primary Examiner* — Carol P Rademaker

(74) *Attorney, Agent, or Firm* — Connolly Bove Lodge & Hutz LLP

(57) **CLAIM**

The ornamental design for a bubble solution bottle, as shown and described.

**DESCRIPTION**

FIG. 1 is a front perspective view of the bottle having my new design;

FIG. 2 is a front elevational view showing the bottler;

FIG. 3 is a left side elevational view of the bottle;

FIG. 4 is a rear elevational view showing a bottle;

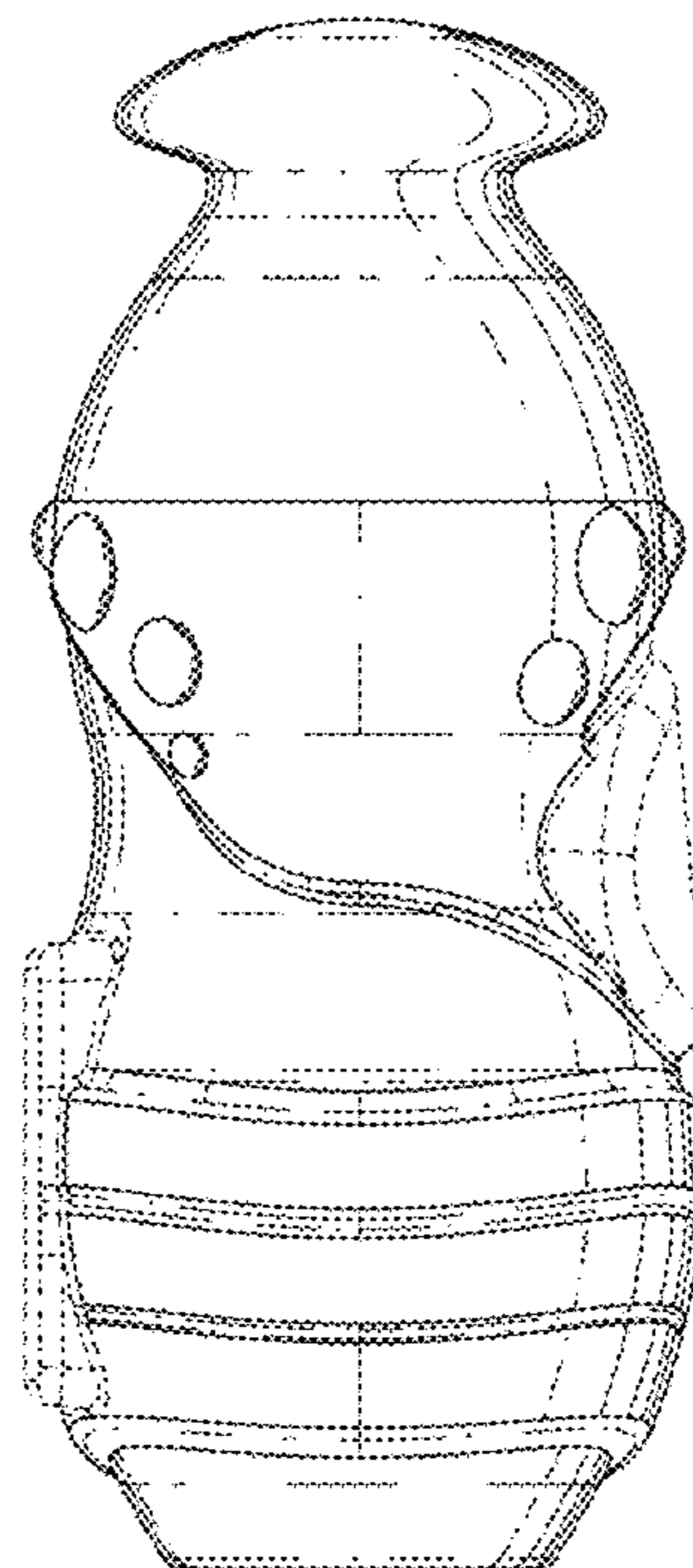
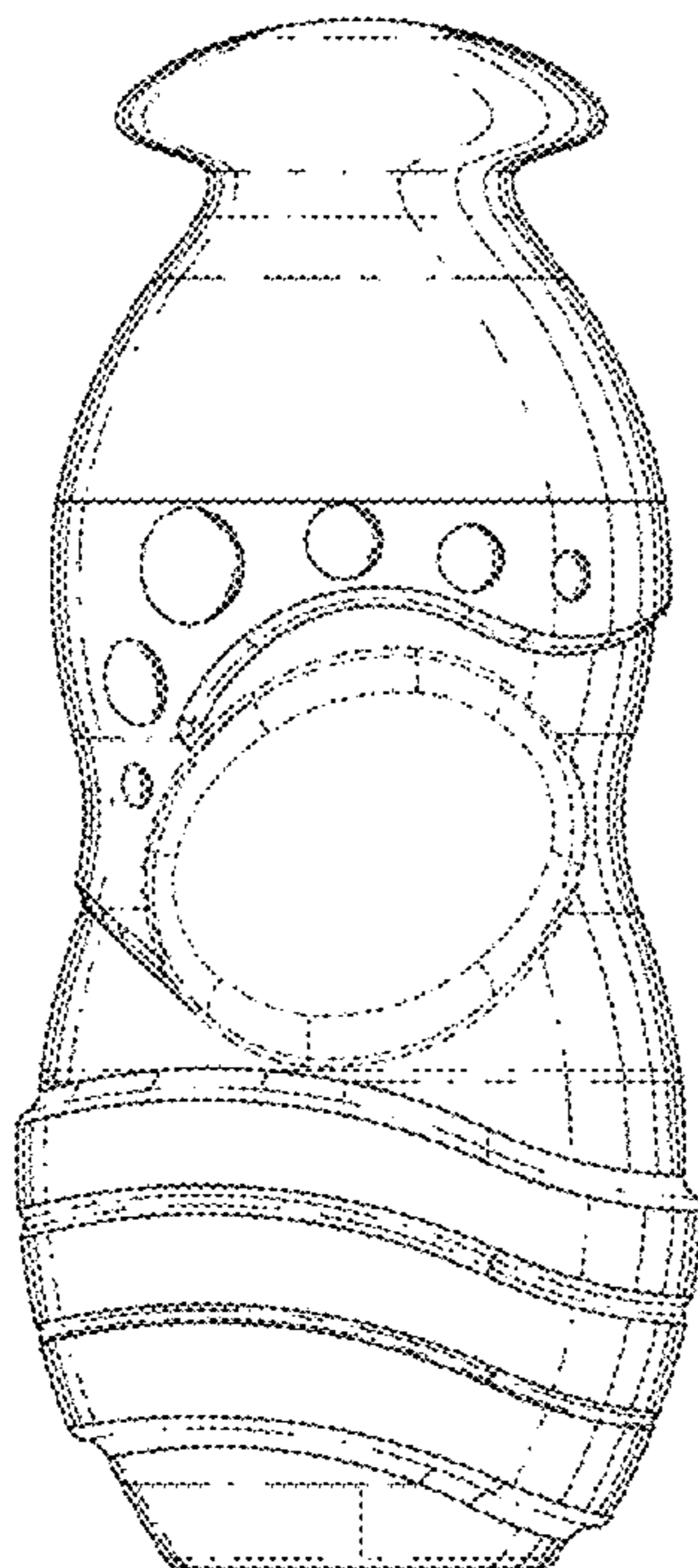
FIG. 5 is a right side elevational view of the bottle;

FIG. 6 is a top plan view of the bottle; and,

FIG. 7 is a bottom plan view of the bottle.

The broken lines in the drawings are for the purpose of illustrating environmental structure and form no part of the claimed design.

**1 Claim, 6 Drawing Sheets**



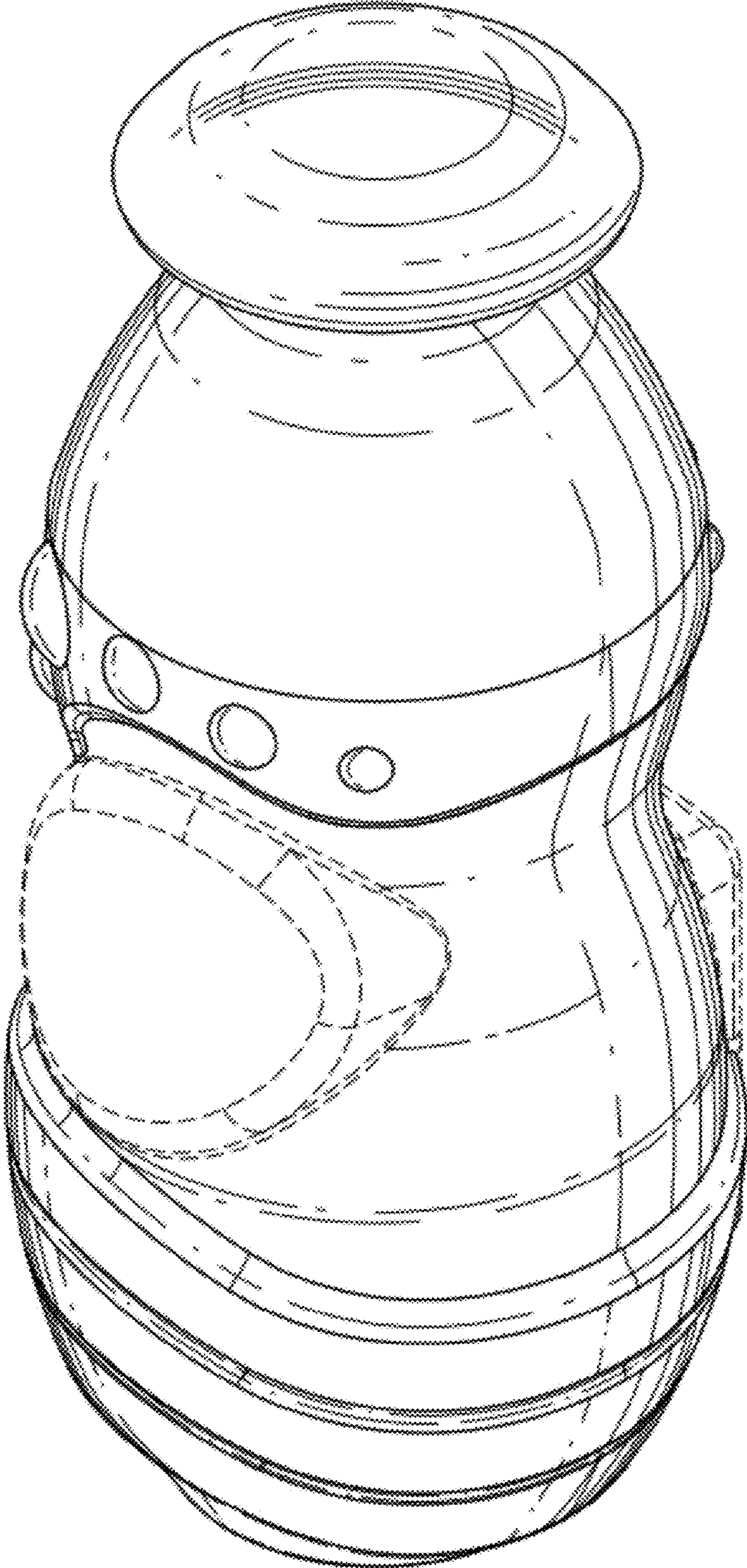


FIG. 1

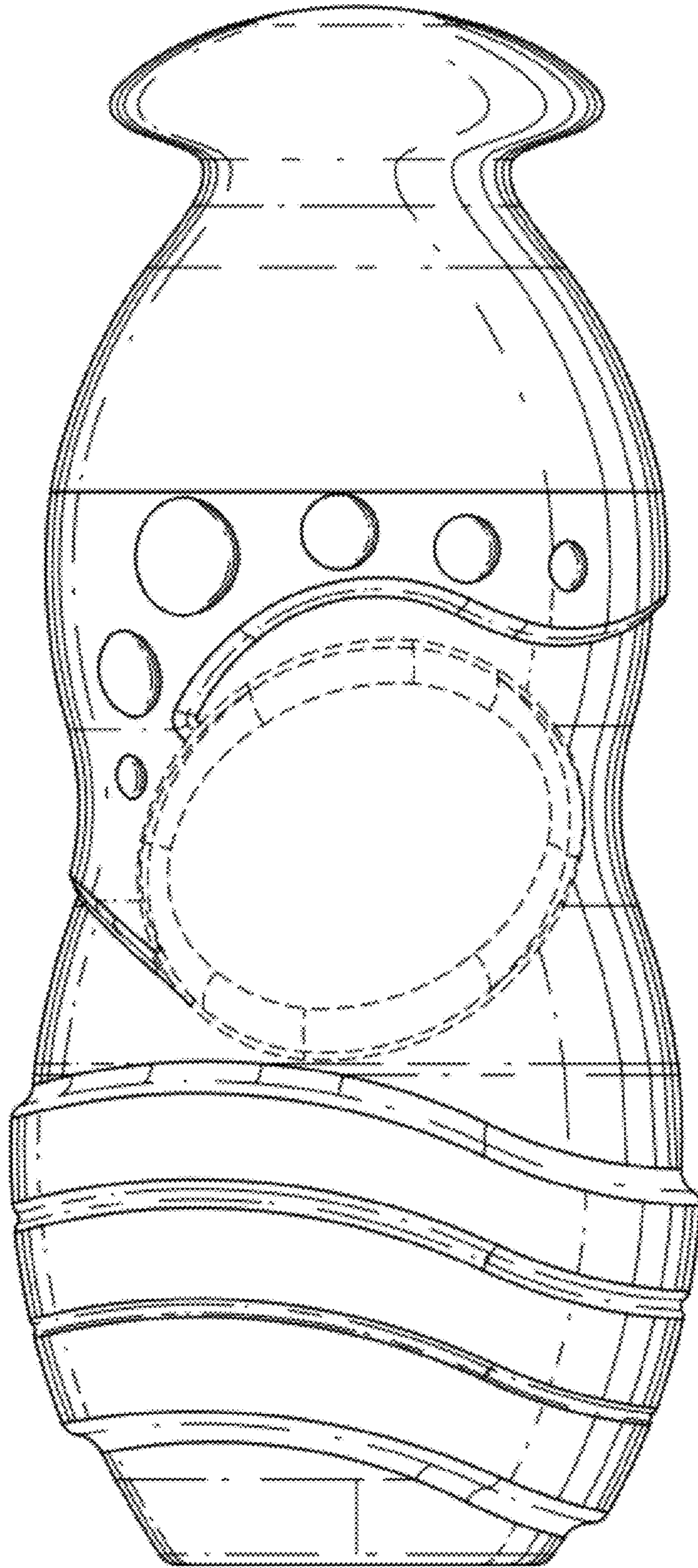


FIG. 2

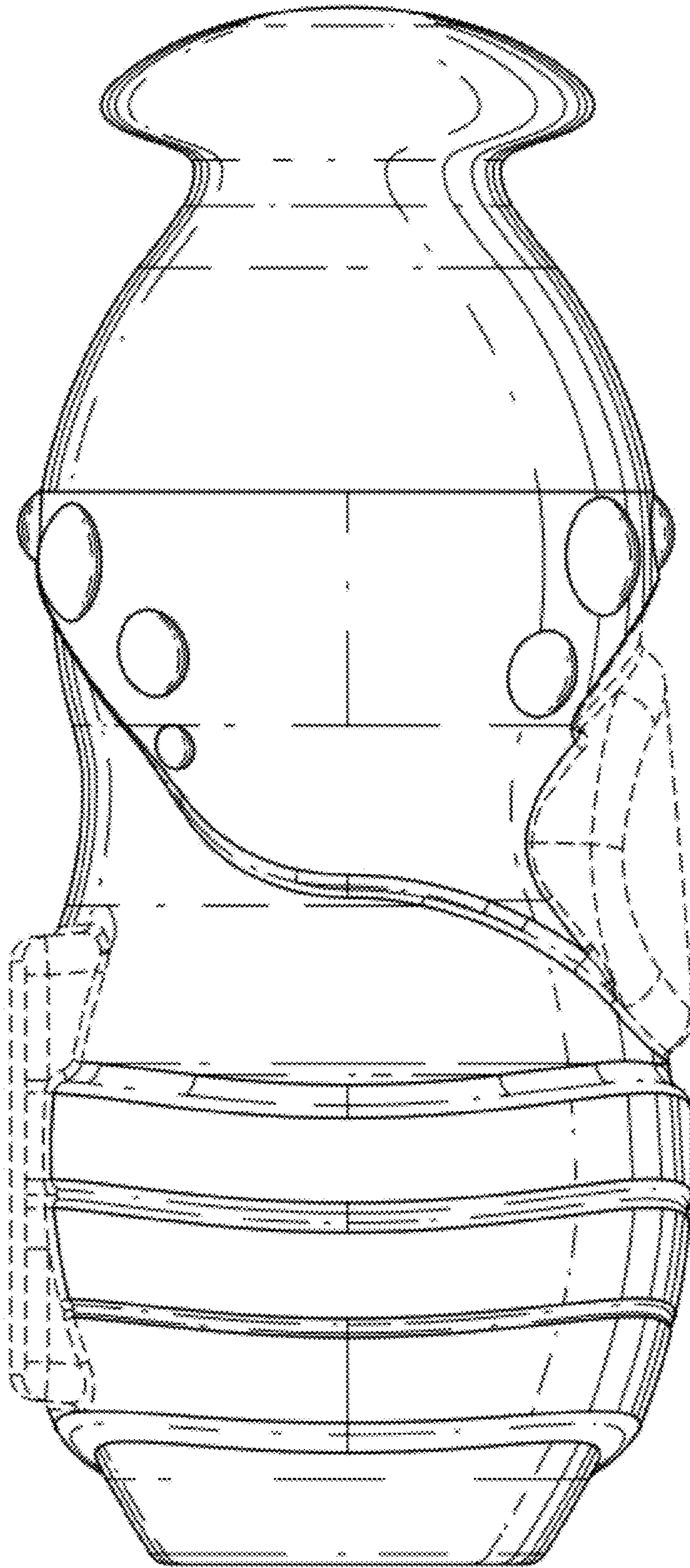


FIG. 3

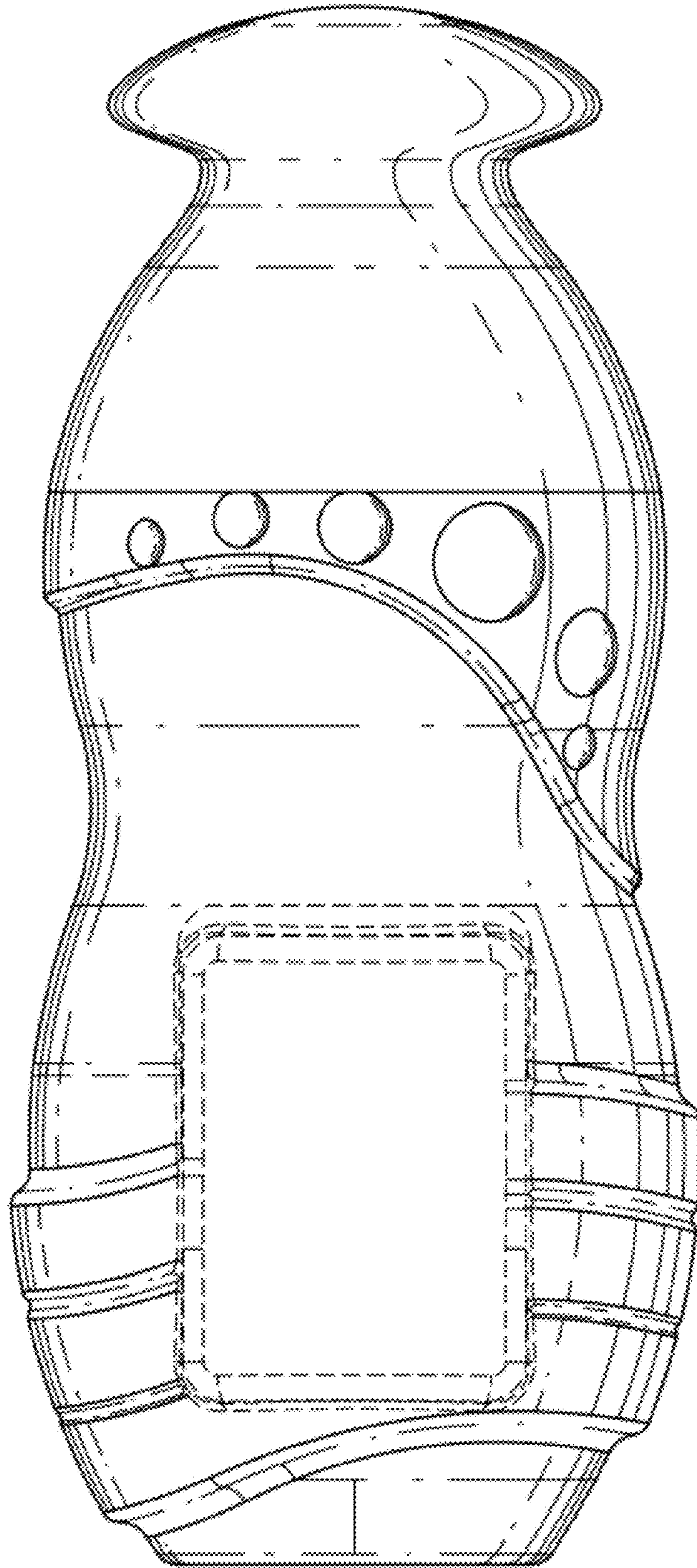


FIG. 4

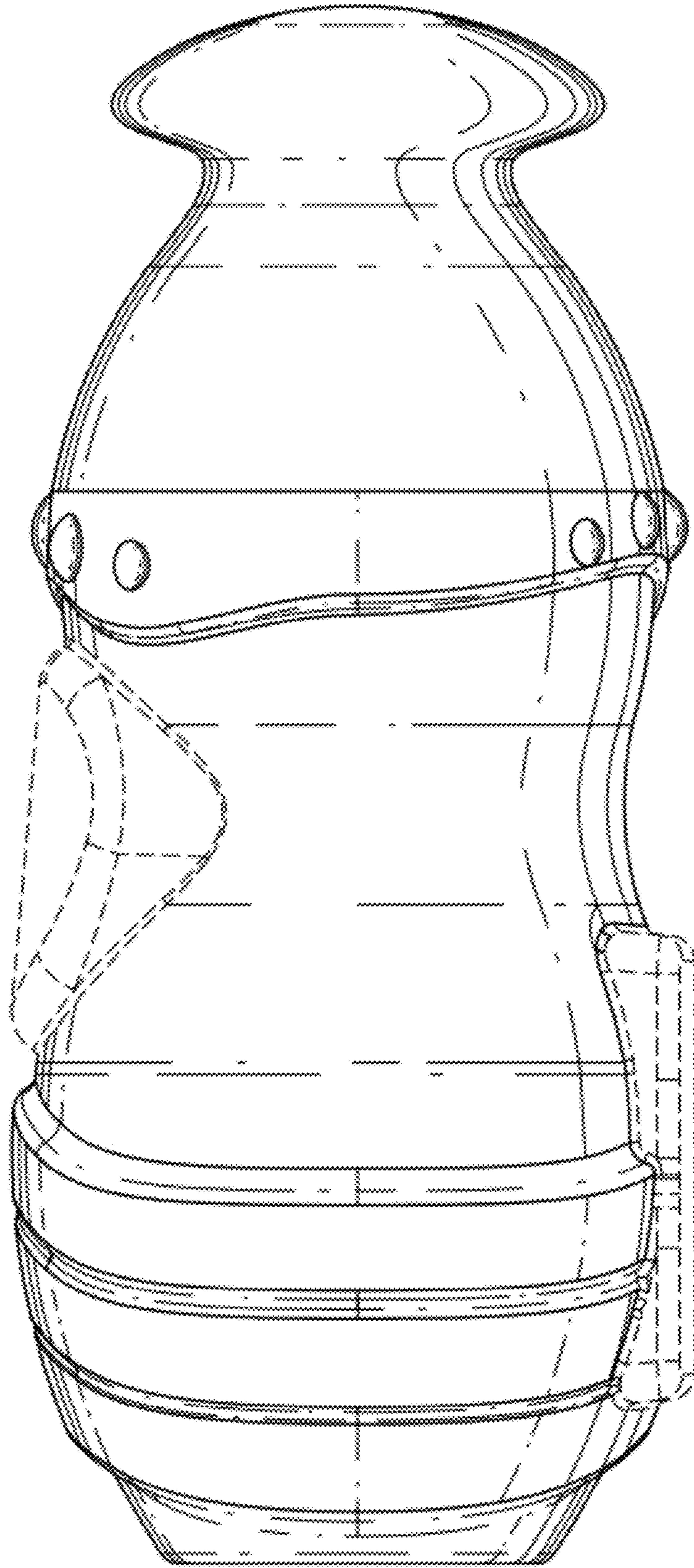


FIG. 5

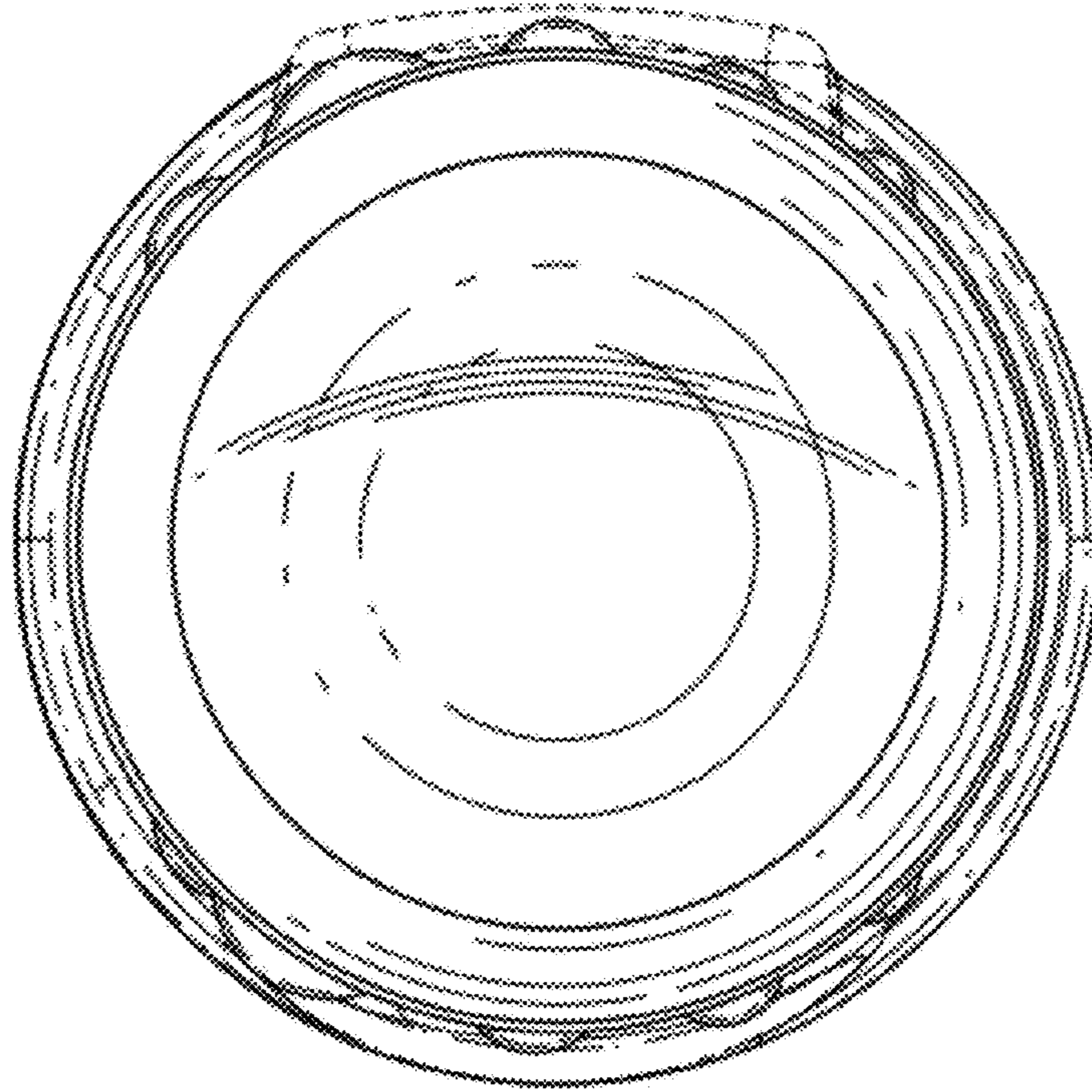


FIG. 6

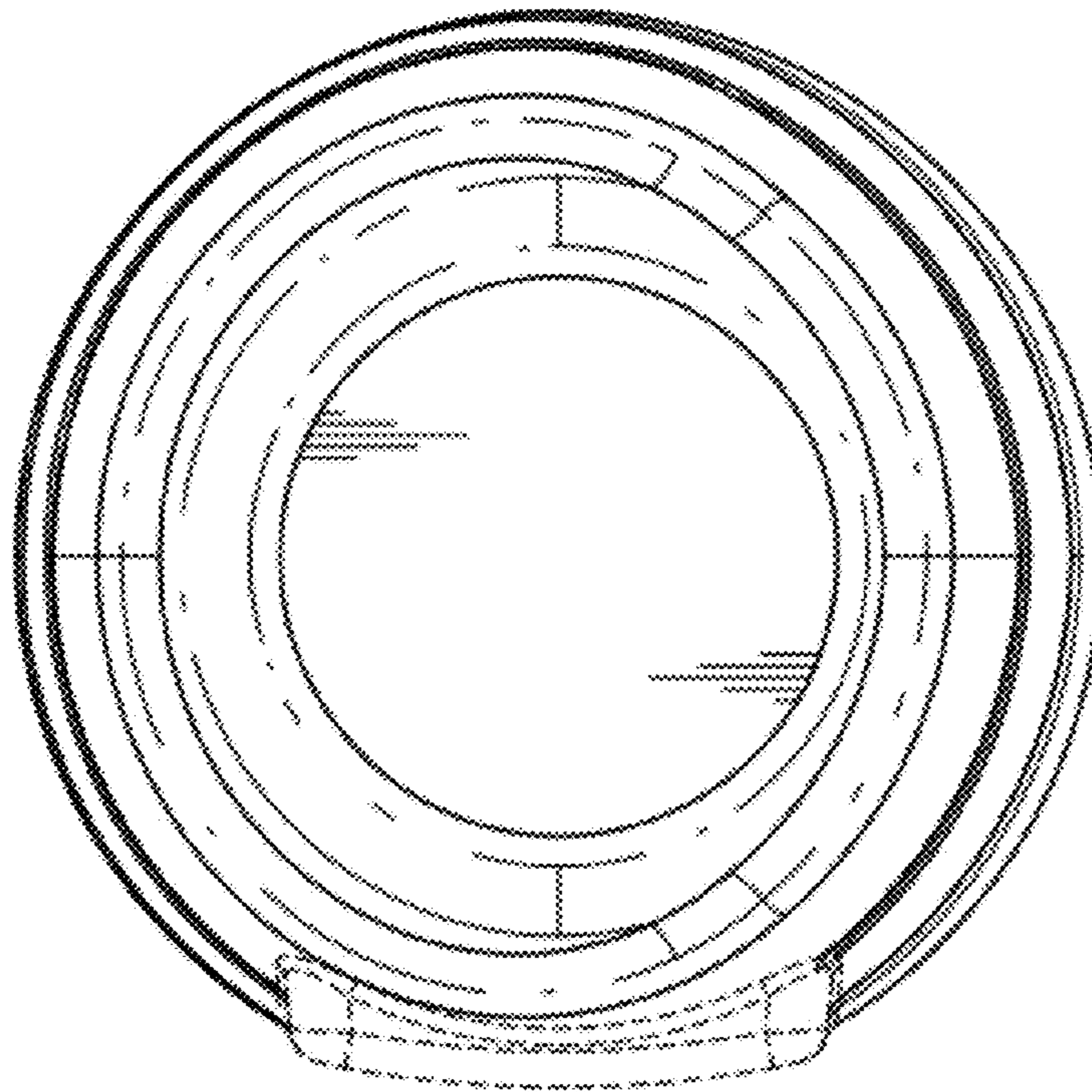


FIG. 7