

US00D665668S

(12) **United States Design Patent**
Cho et al.

(10) **Patent No.:** **US D665,668 S**

(45) **Date of Patent:** **** Aug. 21, 2012**

(54) **SPRAY ACTUATOR**

(75) Inventors: **Sean H. Cho**, Elgin, IL (US); **Peter J. Walters**, Barrington, IL (US)

(73) Assignee: **AptarGroup, Inc.**, Crystal Lake, IL (US)

(**) Term: **14 Years**

(21) Appl. No.: **29/399,331**

(22) Filed: **Aug. 12, 2011**

(51) **LOC (9) Cl.** **09-07**

(52) **U.S. Cl.** **D9/448**

(58) **Field of Classification Search** D9/688,
D9/686, 682, 454, 448, 445, 44; D6/544,
D6/542; D28/76; D23/255, 252, 238; 222/630,
222/631, 566, 402.22, 402.13, 402.1, 401,
222/330, 331, 252, 153.07, 135

See application file for complete search history.

(56) **References Cited**

U.S. PATENT DOCUMENTS

D356,249 S *	3/1995	Abfier et al.	D9/448
D457,429 S *	5/2002	Walters	D9/448
D567,651 S *	4/2008	Bloc	D9/448
D625,186 S *	10/2010	Rossignol	D9/448

* cited by examiner

Primary Examiner — Susan Bennett Hattan

(74) *Attorney, Agent, or Firm* — Wood, Phillips, Katz, Clark & Mortimer

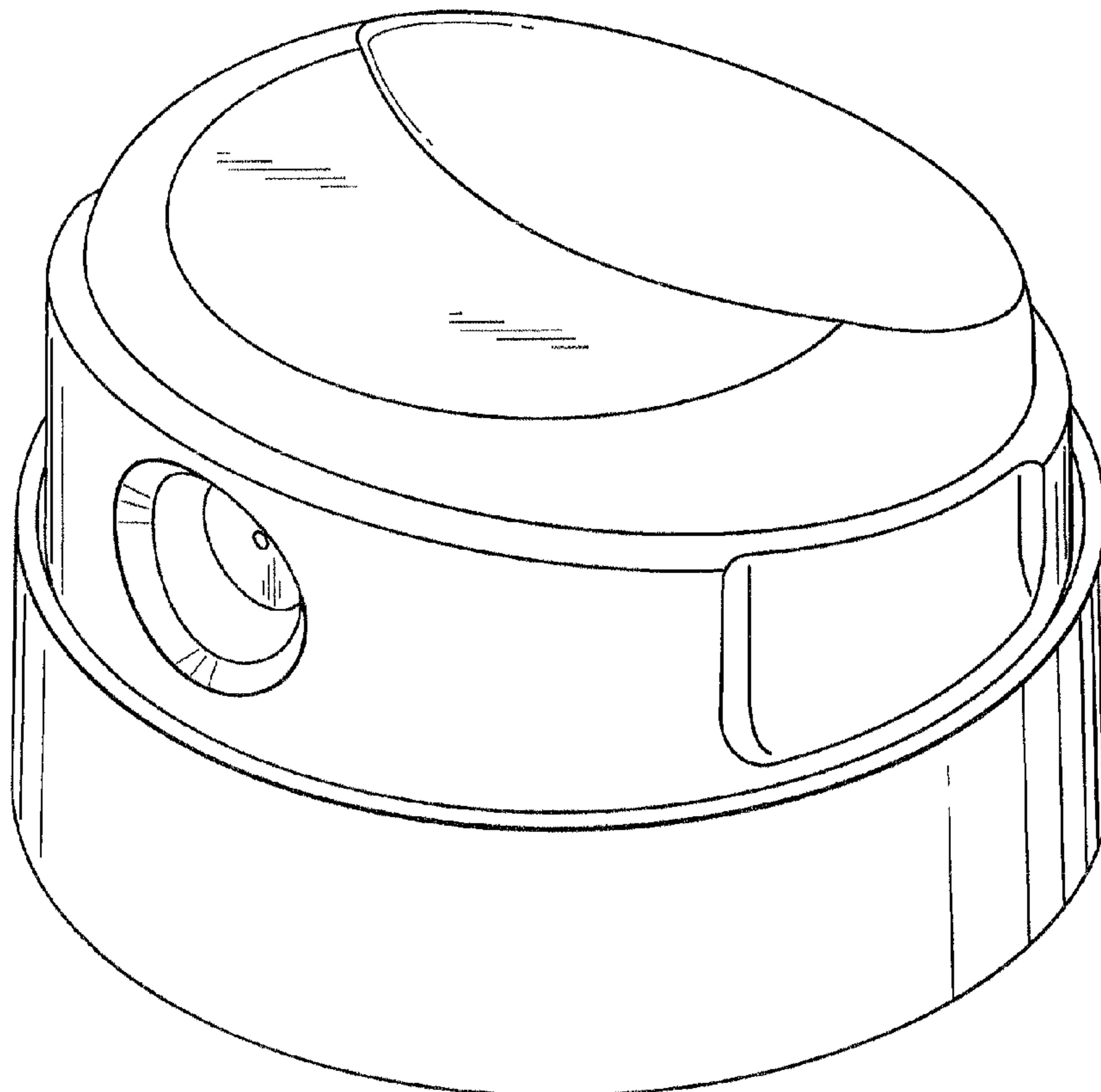
(57) **CLAIM**

The ornamental design for a spray actuator, as shown and described.

DESCRIPTION

FIG. 1 is an isometric view a spray actuator which is adapted for installation on a container (not shown); FIG. 2 is a front view thereof; FIG. 3 is a right side view thereof, the left side view thereof being a mirror image; FIG. 4 is a rear view thereof; and, FIG. 5 is a top view thereof. The undisclosed bottom view is unornamented and forms no part of the claimed design.

1 Claim, 3 Drawing Sheets



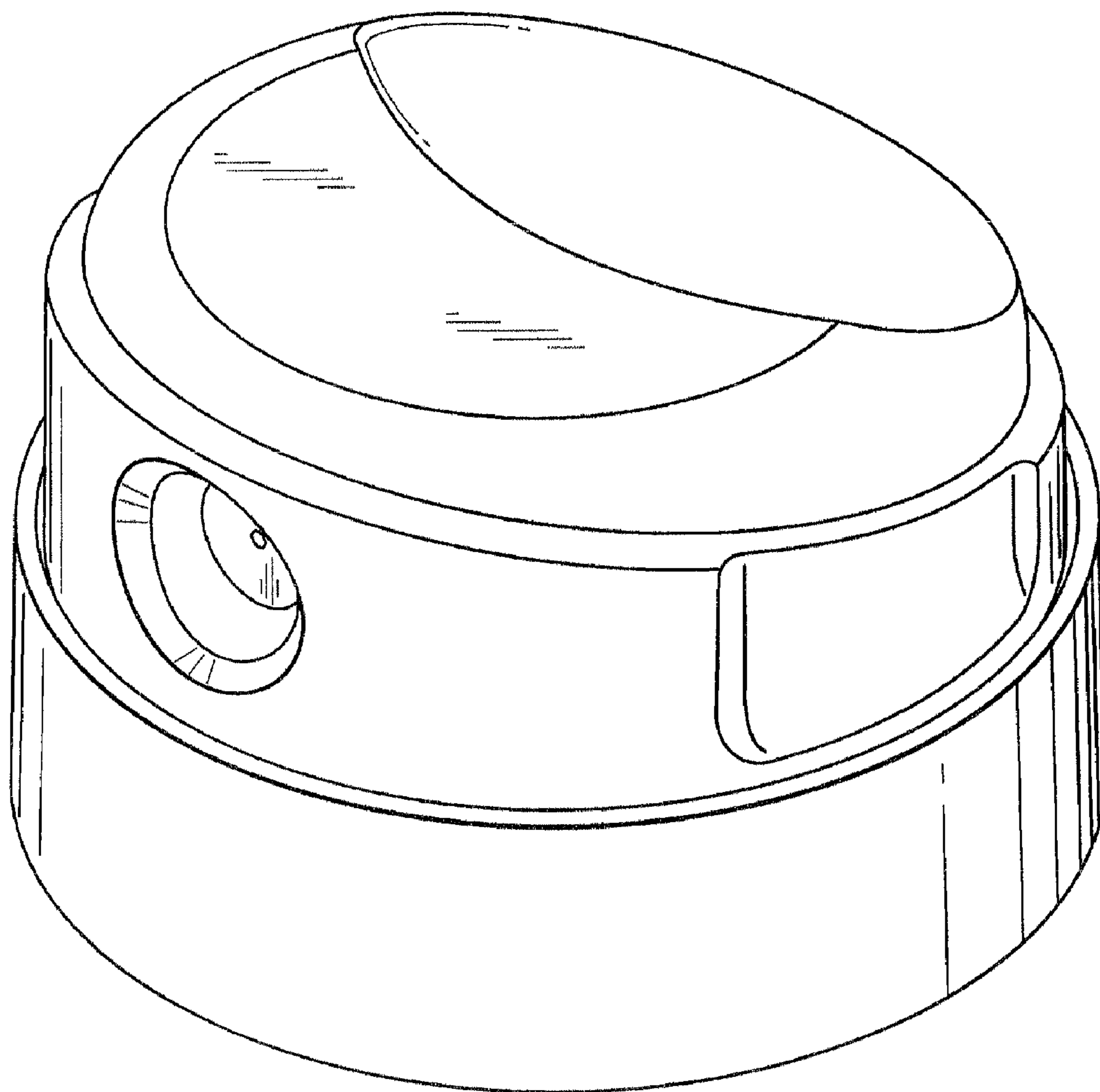


FIG. 1

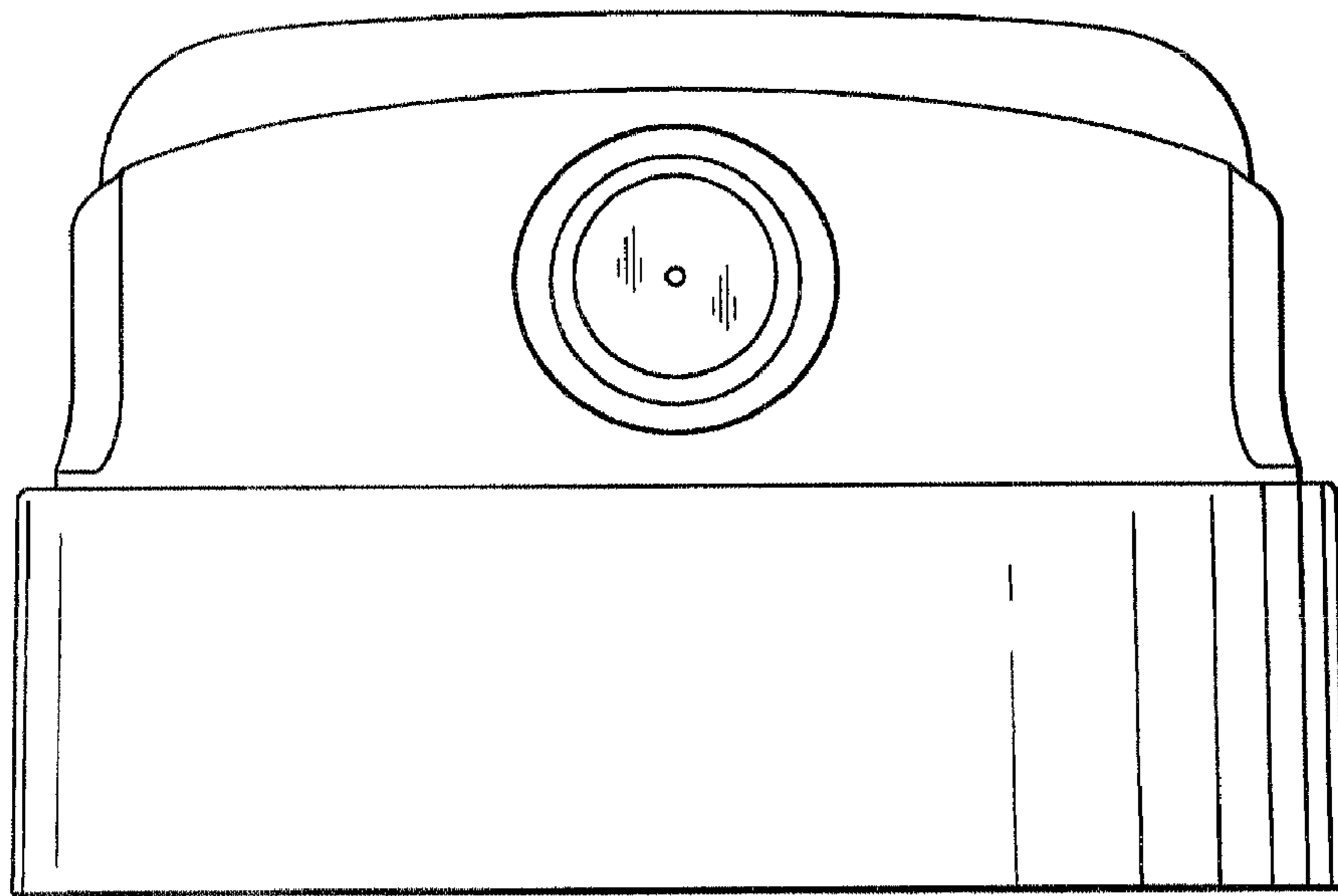


FIG. 2

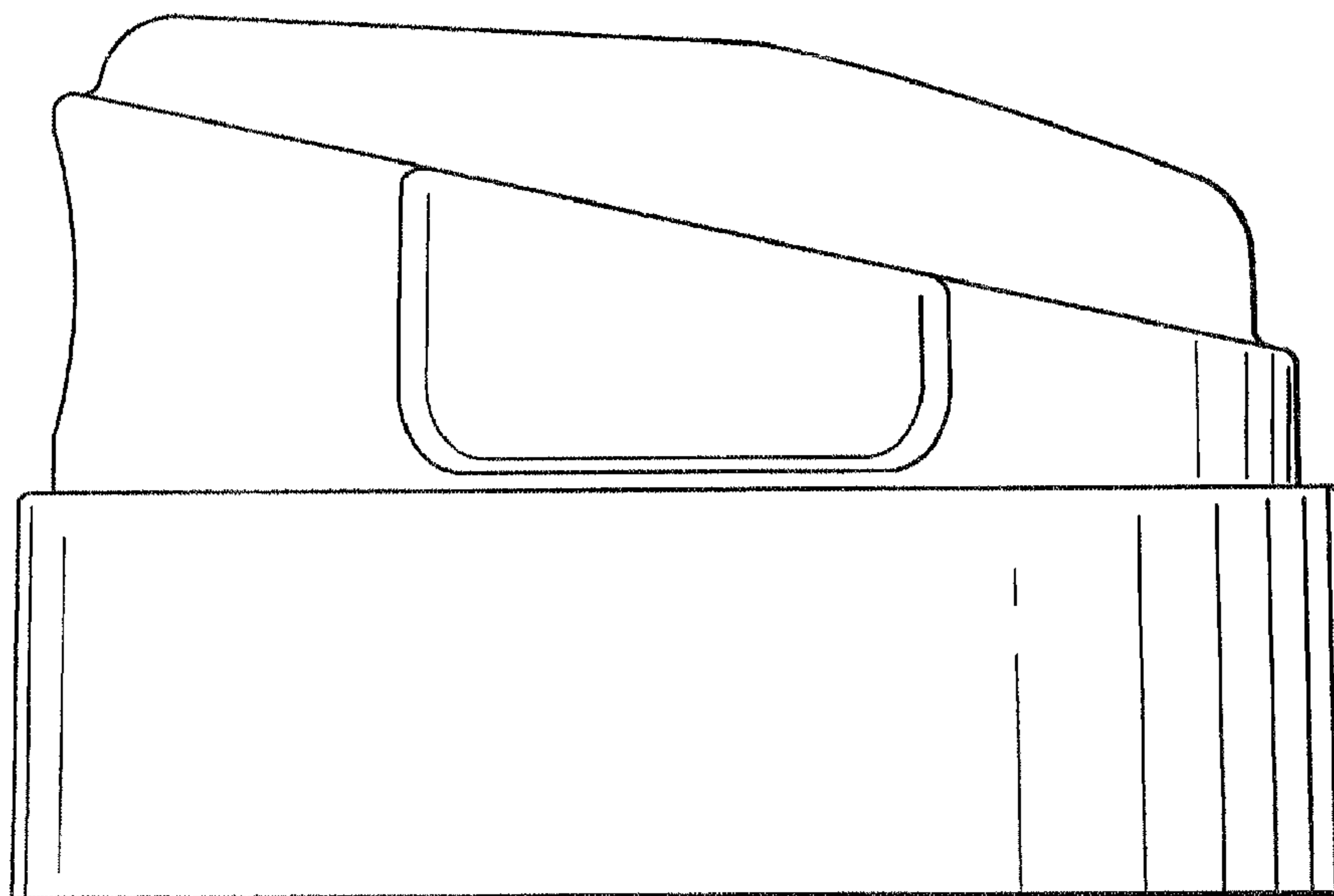


FIG. 3

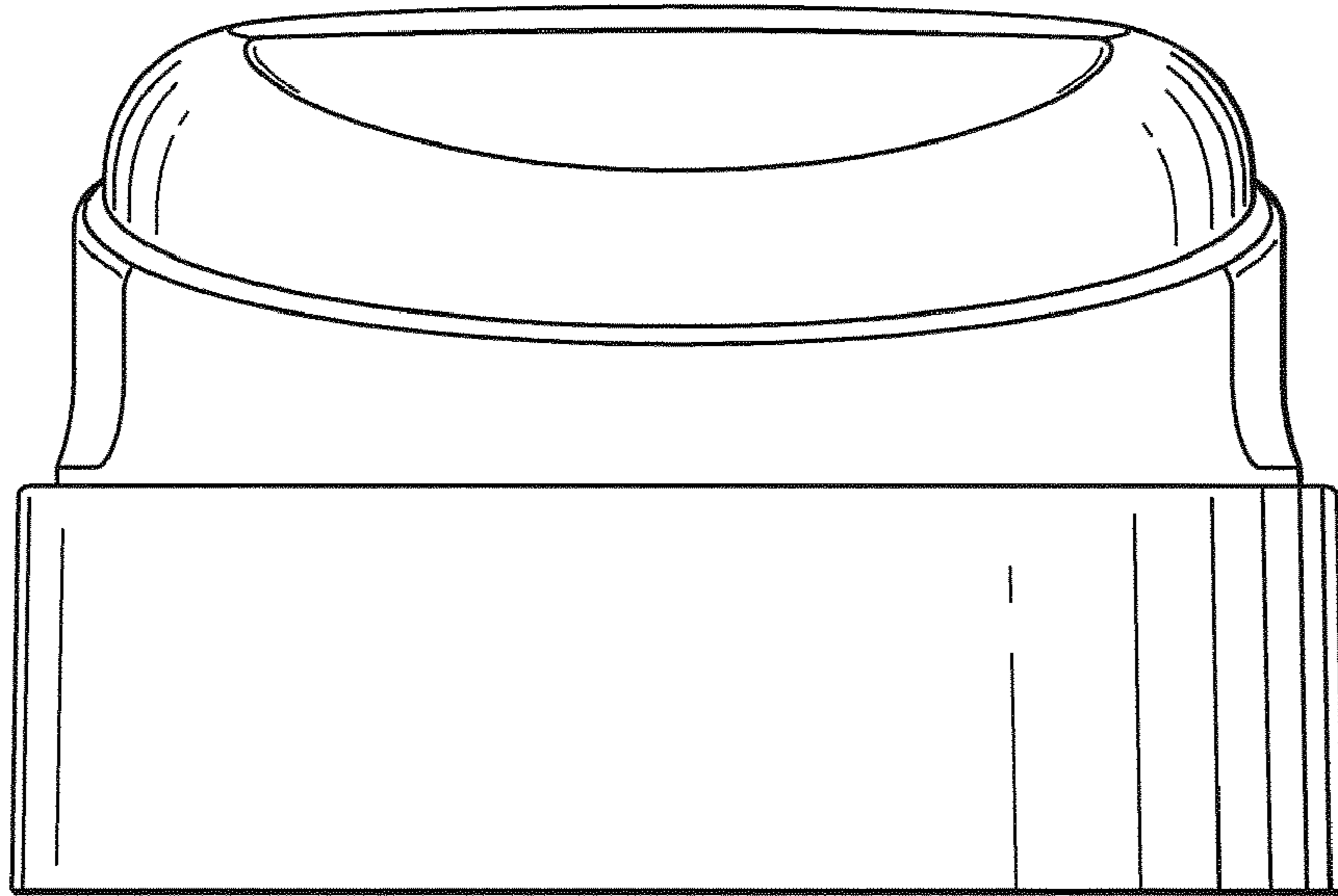


FIG. 4

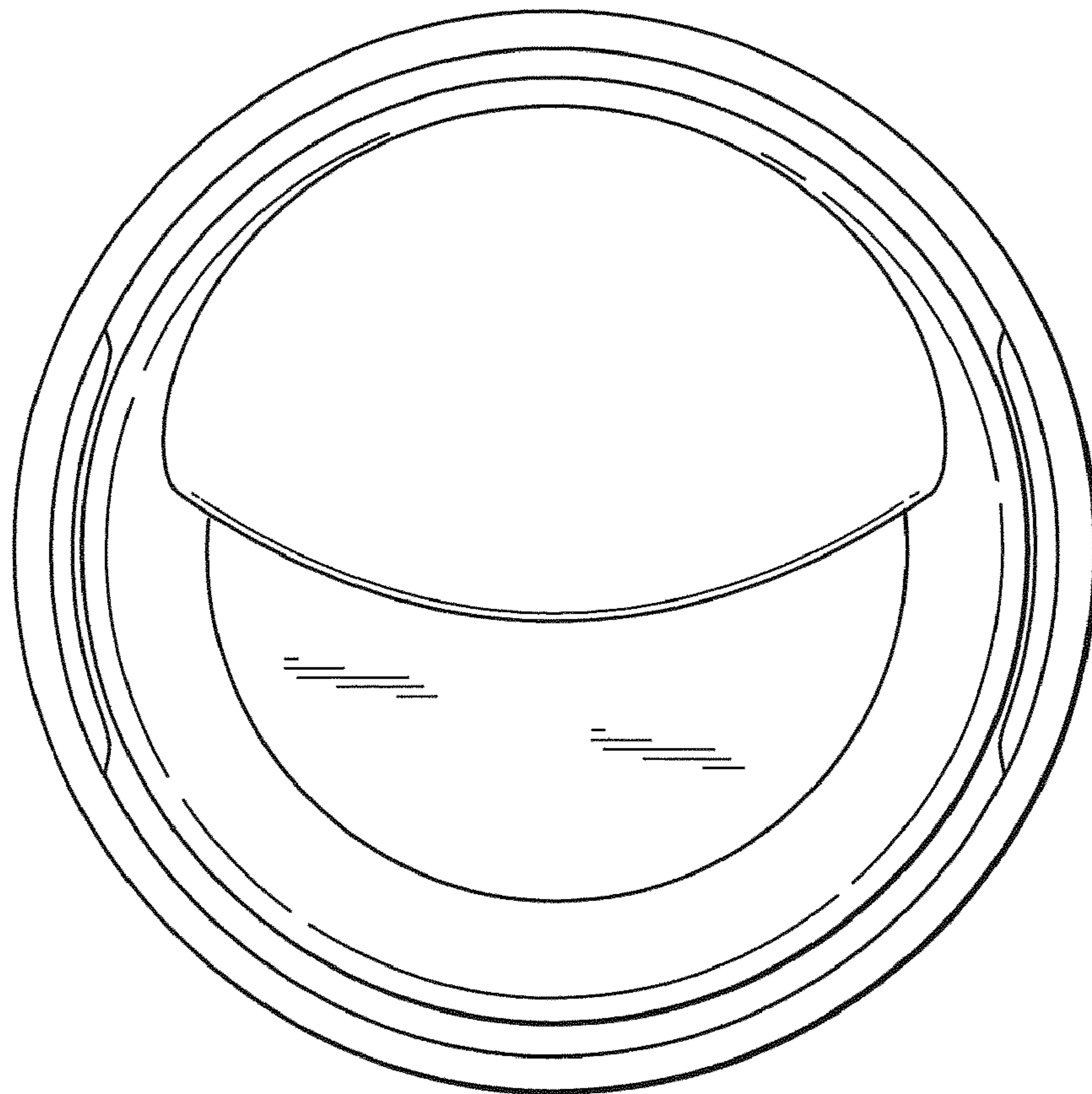


FIG. 5