

US00D665667S

(12) **United States Design Patent**  
**Ghiorghie**

(10) **Patent No.:** **US D665,667 S**

(45) **Date of Patent:** **\*\* Aug. 21, 2012**

(54) **PUMP HEAD ASSEMBLY**

(75) Inventor: **Radu Alexandru Ghiorghie**, Copley,  
OH (US)

(73) Assignee: **InterDesign, Inc.**, Solon, OH (US)

(\*\*) Term: **14 Years**

(21) Appl. No.: **29/372,225**

(22) Filed: **Oct. 29, 2010**

(51) **LOC (9) Cl.** ..... **09-07**

(52) **U.S. Cl.** ..... **D9/448**

(58) **Field of Classification Search** ..... D9/688,  
D9/686, 682, 454, 448, 445, 44; D6/544,  
D6/542; D28/76; D23/255, 252, 238; 222/630,  
222/631, 566, 402.22, 402.13, 402.1, 401,  
222/330, 331, 252, 153.07, 135

See application file for complete search history.

(56) **References Cited**

**U.S. PATENT DOCUMENTS**

D466,191 S	*	11/2002	Lord	.....	D23/238
D477,778 S		7/2003	Dretzka		
D477,990 S		8/2003	Dretzka		
D477,991 S		8/2003	Dretzka		
D479,075 S	*	9/2003	Zhao	.....	D6/542
D480,642 S		10/2003	Dretzka		
D480,643 S		10/2003	Dretzka		
D484,039 S		12/2003	Dretzka		
D484,401 S		12/2003	Dretzka		
D488,716 S	*	4/2004	Dretzka	.....	D9/448
D489,617 S	*	5/2004	Snell	.....	D6/542
D495,032 S	*	8/2004	Dretzka	.....	D23/238
D496,262 S		9/2004	Dretzka		
D525,534 S		7/2006	Snell		
D530,954 S		10/2006	Snell		
D531,441 S	*	11/2006	Soriano	.....	D6/542
D534,425 S	*	1/2007	Kuo	.....	D9/448

D537,360 S 2/2007 Snell  
D537,361 S 2/2007 Dretzka  
D538,092 S 3/2007 Snell  
D538,177 S 3/2007 Dretzka

(Continued)

**OTHER PUBLICATIONS**

InterDesign, Inc. Product Brochure—2003, pp. 5, 6, 9, 10, 14-16, 20,  
22, 24, 43, 46, with front cover.

(Continued)

*Primary Examiner* — Susan Bennett Hattan

(74) *Attorney, Agent, or Firm* — D. Peter Hochberg; Sean F.  
Mellino; Daniel J. Smola

(57) **CLAIM**

The ornamental design for a pump head assembly, as shown  
and described.

**DESCRIPTION**

FIG. 1 is a perspective view of the pump head assembly  
according to the invention;

FIG. 2 is a top view of the pump head assembly as shown in  
FIG. 1;

FIG. 3 is a side view of the pump head assembly as shown in  
FIG. 1;

FIG. 4 is a front view of the pump head assembly as shown in  
FIG. 1;

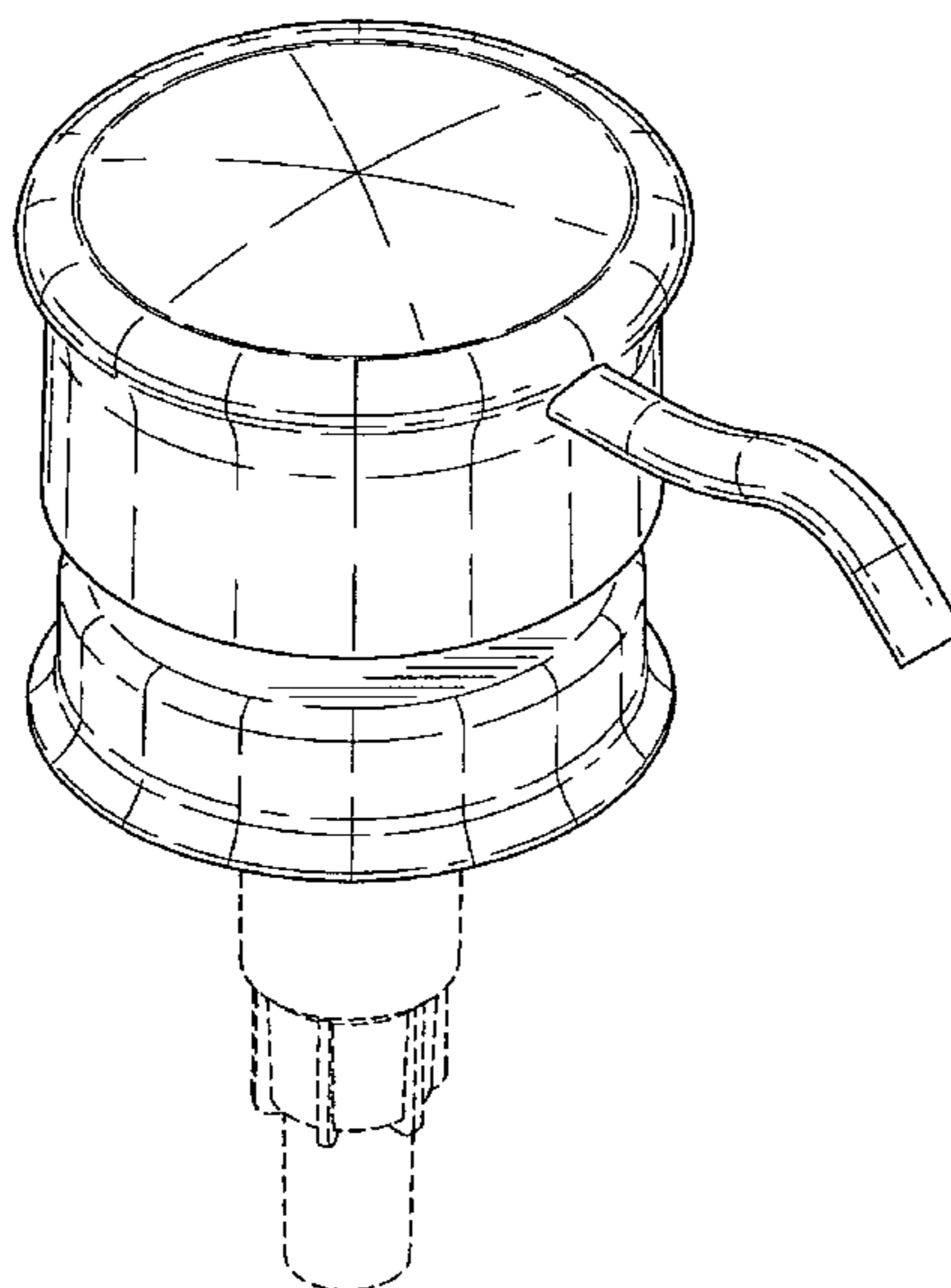
FIG. 5 is a side view of the pump head assembly as shown in  
FIG. 1, shown from the side opposite that shown in FIG. 3;

FIG. 6 is a rear view of the pump head assembly as shown in  
FIG. 1; and,

FIG. 7 is a bottom view of the pump head assembly as shown  
in FIG. 1.

The broken lines in the drawing depict environmental subject  
matter only and form no part of the claimed design.

**1 Claim, 3 Drawing Sheets**



# US D665,667 S

Page 2

---

## U.S. PATENT DOCUMENTS

D551,087 S 9/2007 Snell  
D554,410 S 11/2007 Snell  
D578,814 S 10/2008 Dretzka  
D581,193 S 11/2008 Ghiorghie  
D595,522 S 7/2009 Snell  
D599,597 S 9/2009 Dretzka  
D599,598 S 9/2009 Ghiorghie  
D599,599 S 9/2009 Ghiorghie  
D607,679 S \* 1/2010 Chen et al. .... D6/542

## OTHER PUBLICATIONS

InterDesign, Inc. Product Brochure—2004, p. 28, with front cover.  
InterDesign, Inc. Product Brochure—2007, pp. 2, 3, 4, with front cover.  
InterDesign, Inc. Product Brochure—2008, pp. 13, 17, 28, 30, 31, 32, 34, with front cover.  
InterDesign, Inc. Product Brochure—2009, pp. 4, 5, 7, 8, 9, 10, 11, 73, with front cover.  
\* cited by examiner

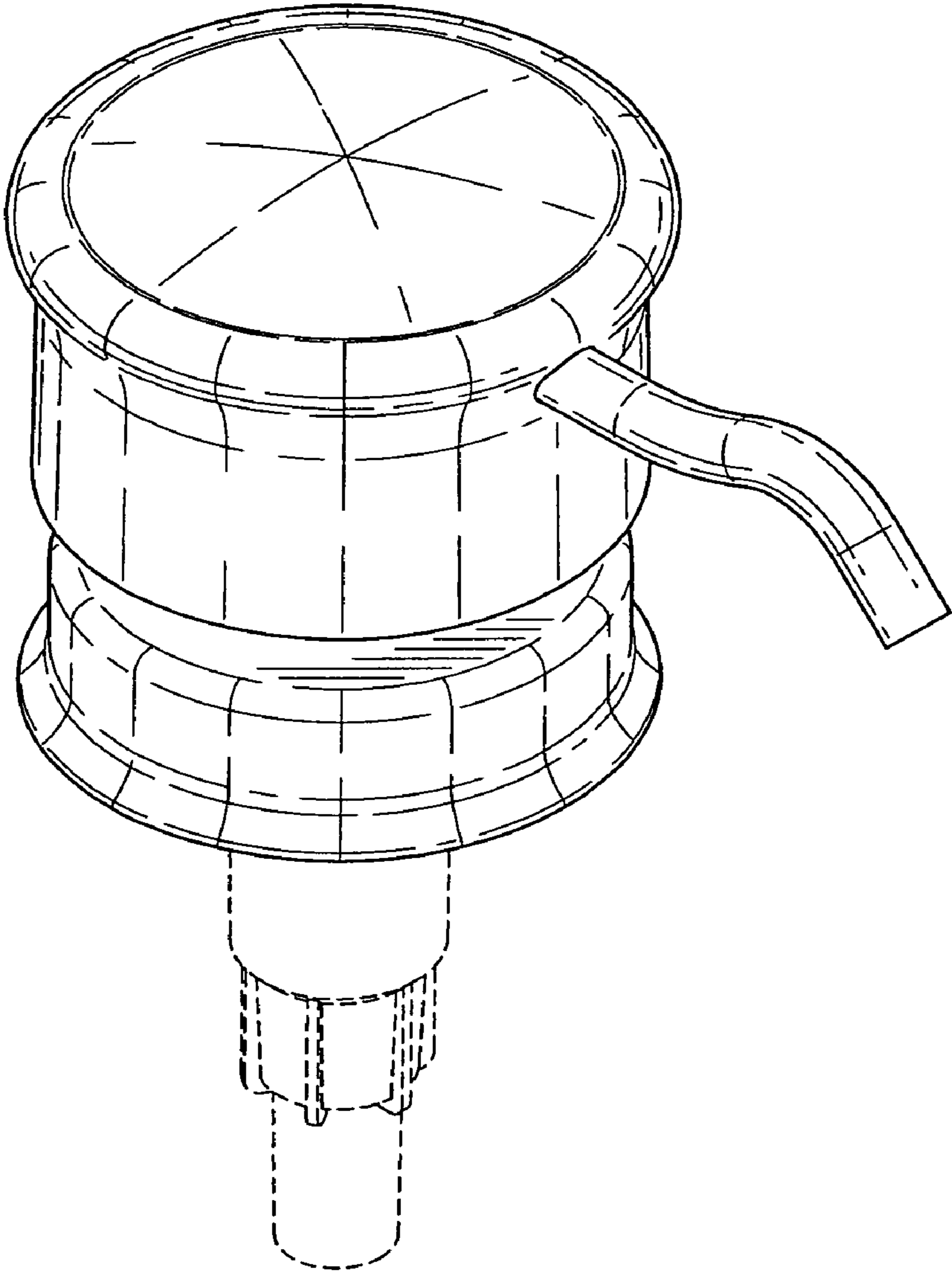


FIG-1

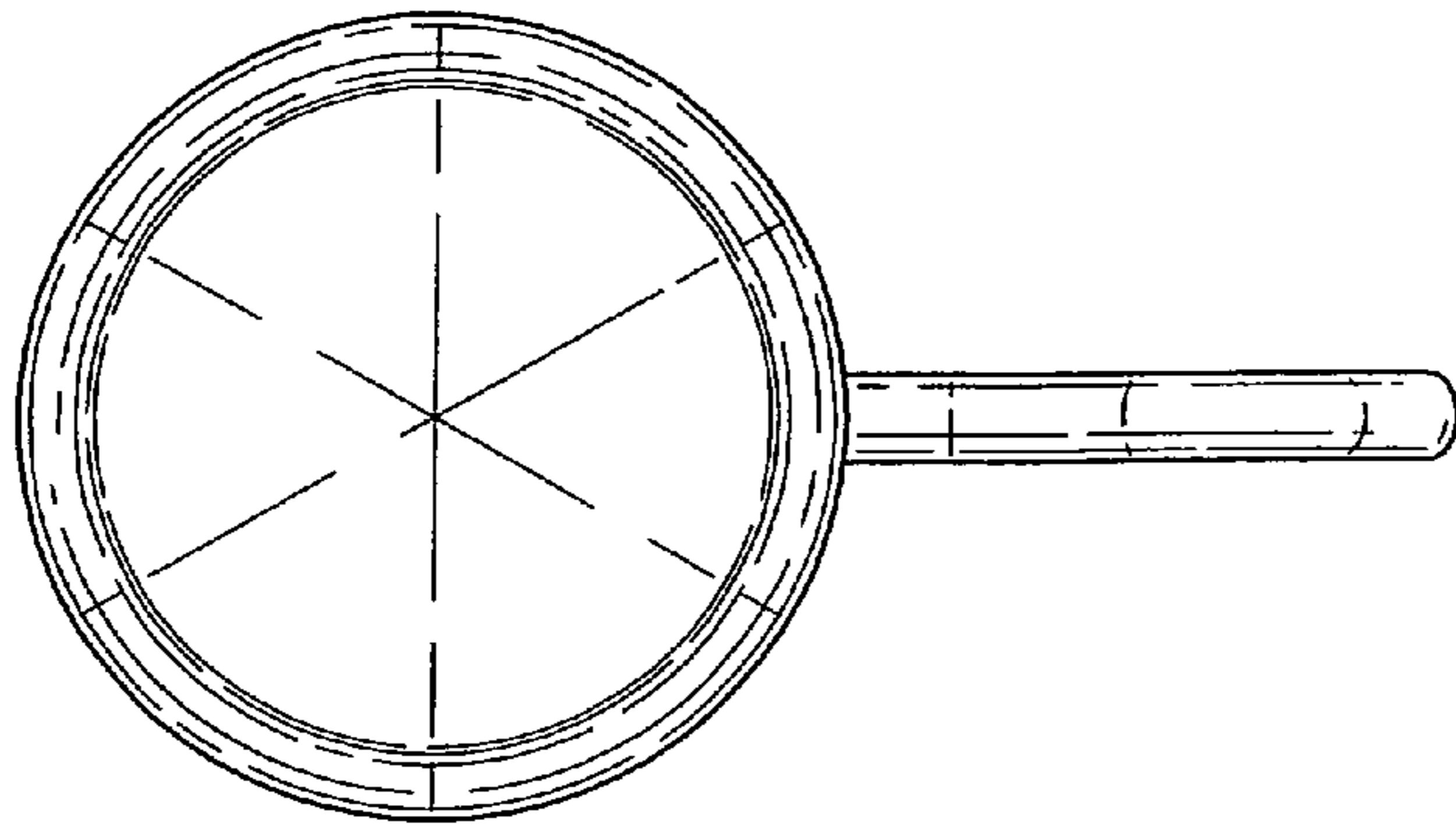


FIG-2

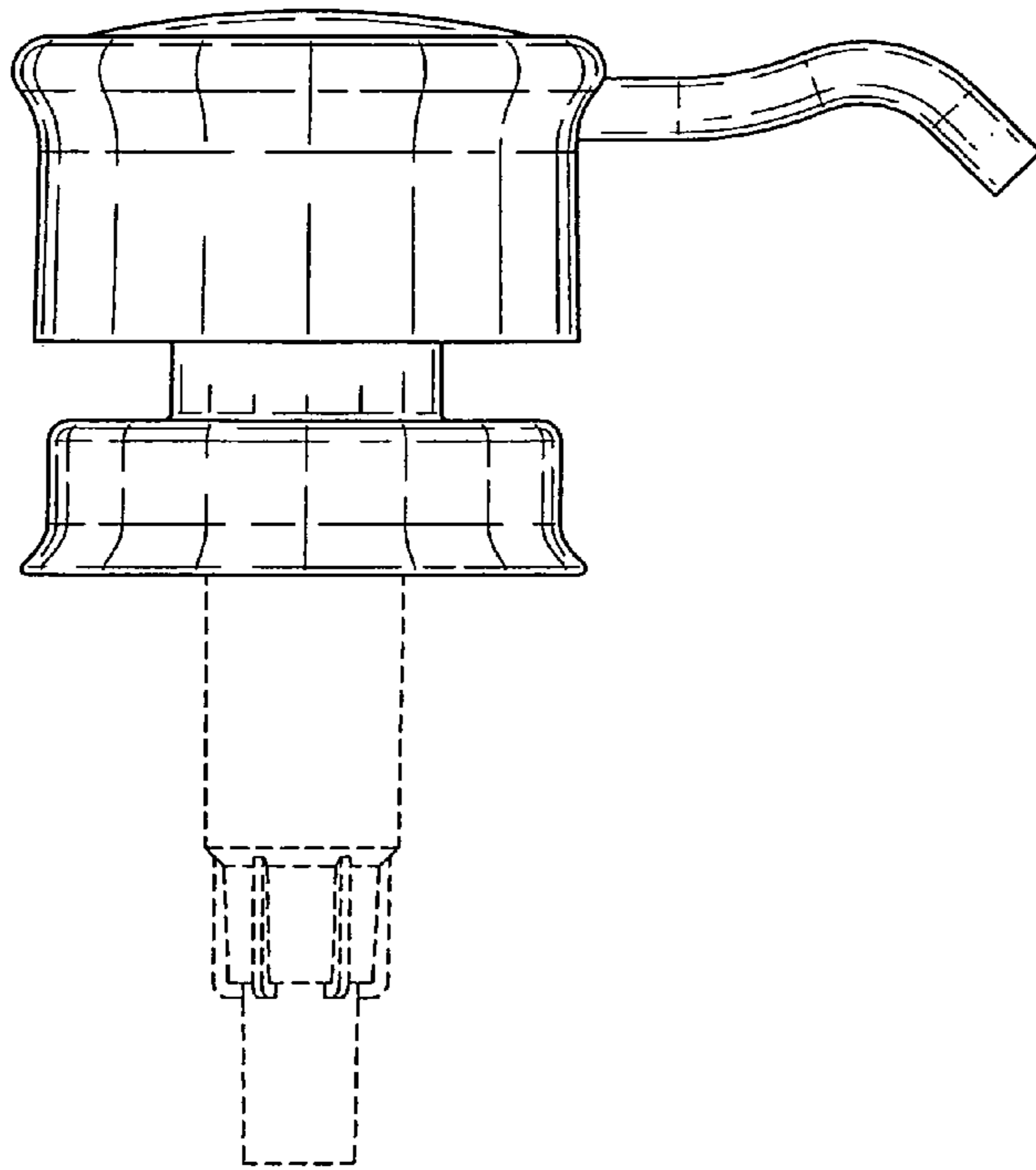


FIG-3

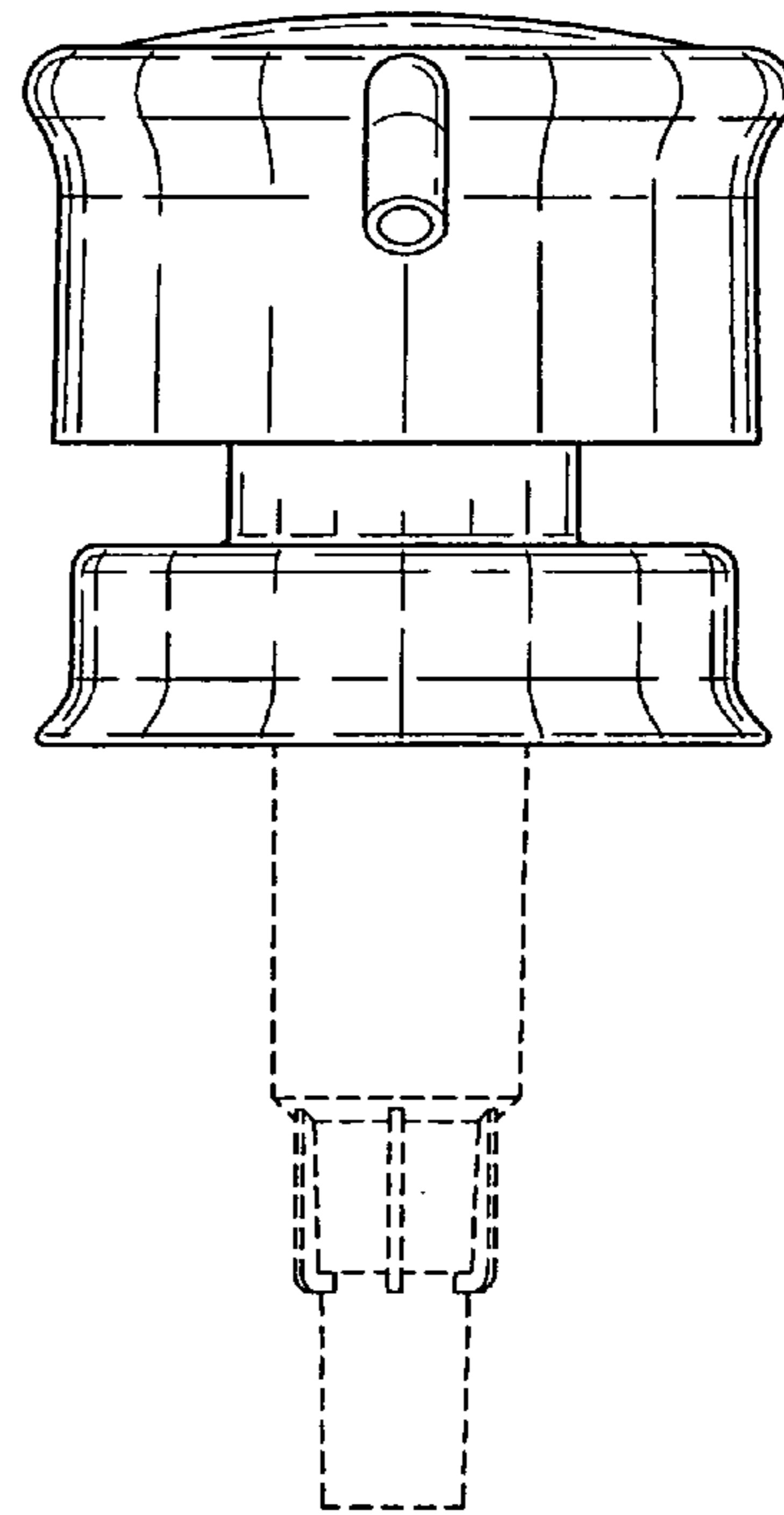


FIG-4

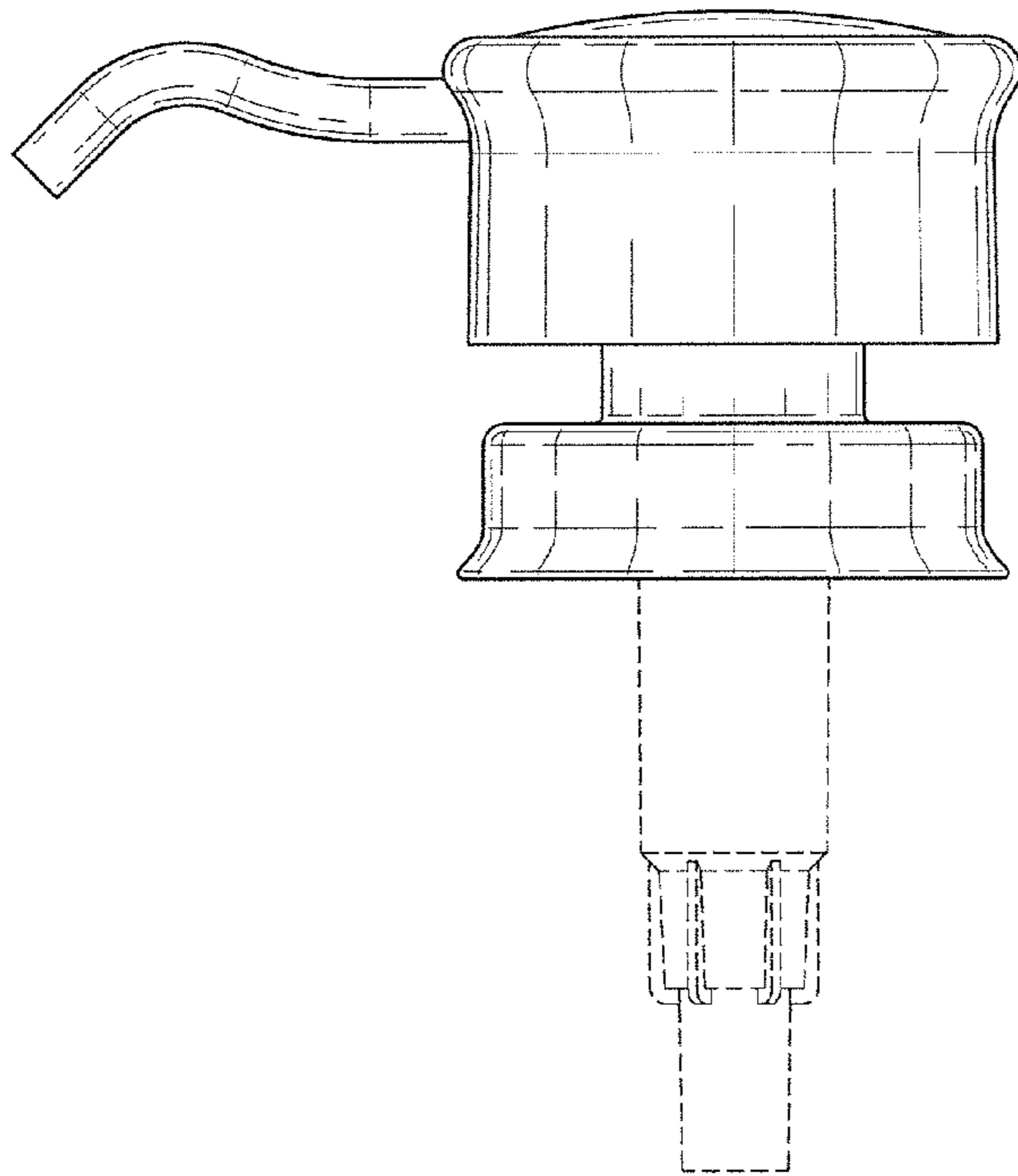


FIG-5

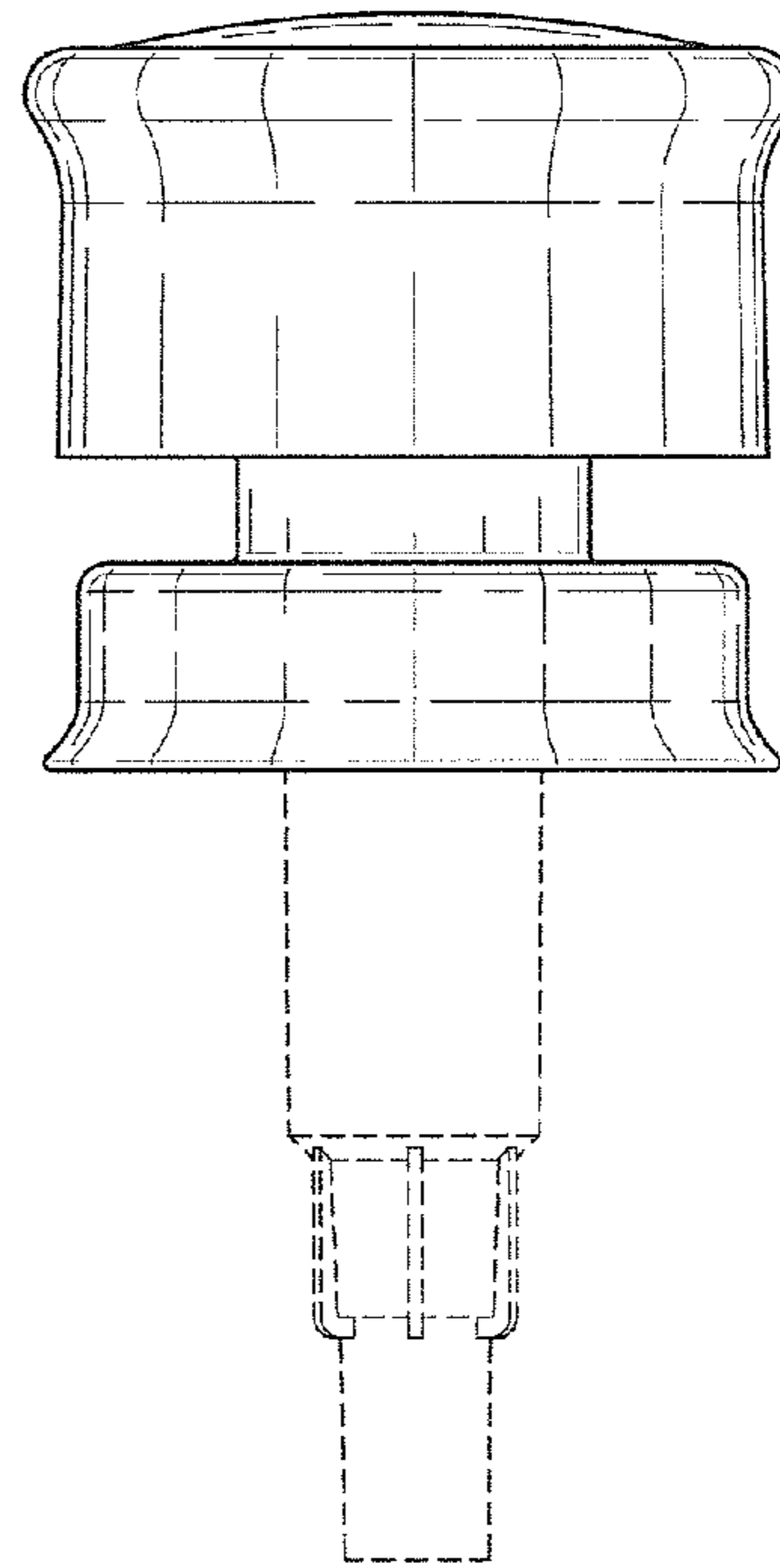


FIG-6

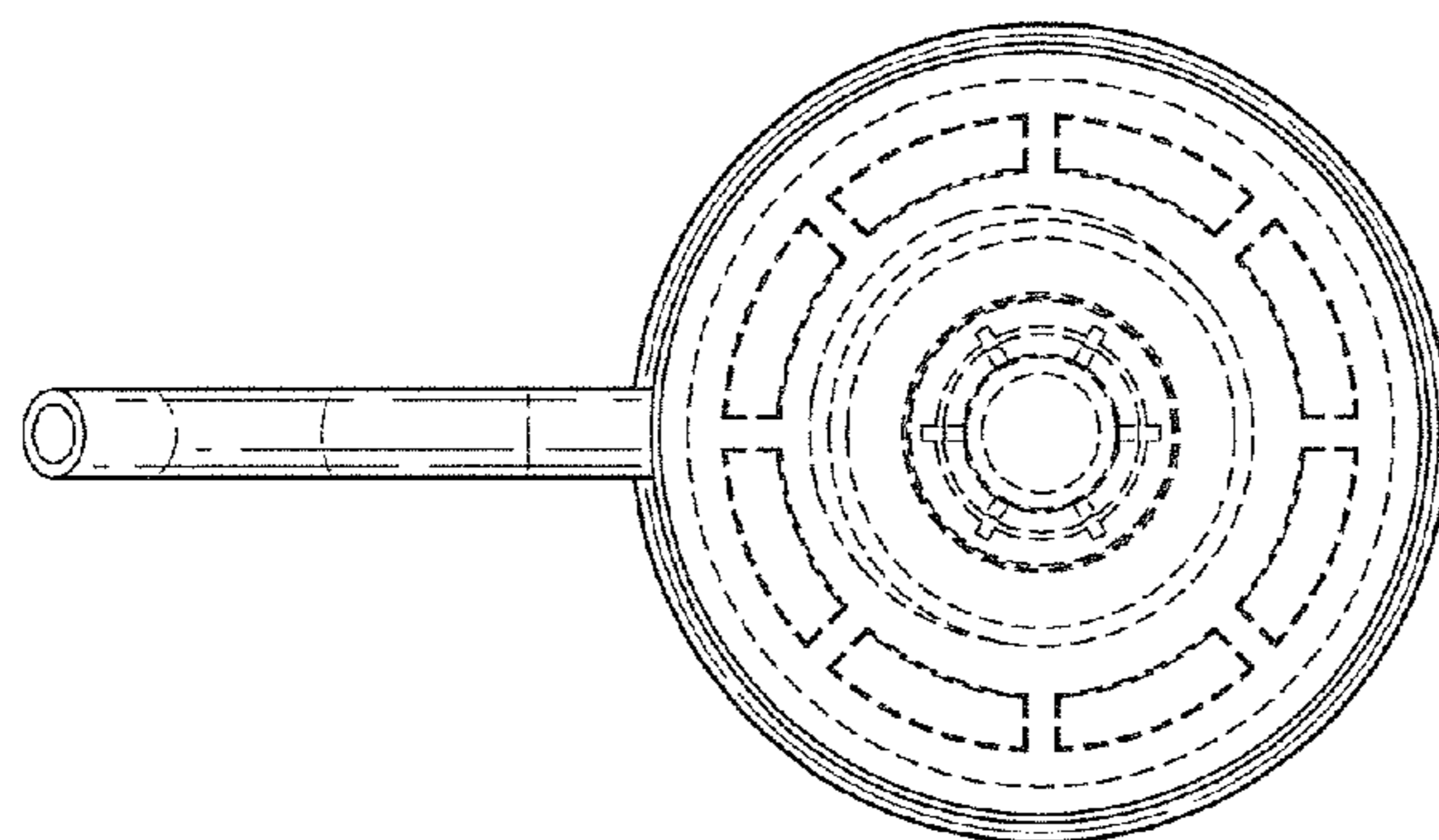


FIG-7