

US00D665666S

(12) **United States Design Patent**
Golota et al.

(10) **Patent No.:** **US D665,666 S**

(45) **Date of Patent:** **** Aug. 21, 2012**

(54) **BASE**

(75) Inventors: **George A. Golota**, Glenview, IL (US);
Andrei Voityna, Chicago, IL (US)

(73) Assignee: **D&W Fine Pack**, Fountain Inn, SC (US)

(**) Term: **14 Years**

(21) Appl. No.: **29/402,575**

(22) Filed: **Sep. 23, 2011**

(51) **LOC (9) Cl.** **09-07**

(52) **U.S. Cl.** **D9/434**

(58) **Field of Classification Search** D9/429,
D9/434, 456; D34/31; D13/108
See application file for complete search history.

(56) **References Cited**

U.S. PATENT DOCUMENTS

D609,564 S *	2/2010	Paine	D9/434
D628,485 S *	12/2010	Golota et al.	D9/456
D636,669 S *	4/2011	Ruth	D9/434
D641,534 S *	7/2011	Lee et al.	D34/31

D644,103 S *	8/2011	Chatterton	D9/434
D648,624 S *	11/2011	Golota et al.	D9/434
D651,892 S *	1/2012	Riales	D9/429
D656,459 S *	3/2012	Crawley	D13/108

* cited by examiner

Primary Examiner — Susan Bennett Hattan

Assistant Examiner — Barbara B Lohr

(74) *Attorney, Agent, or Firm* — Cardinal Law Group

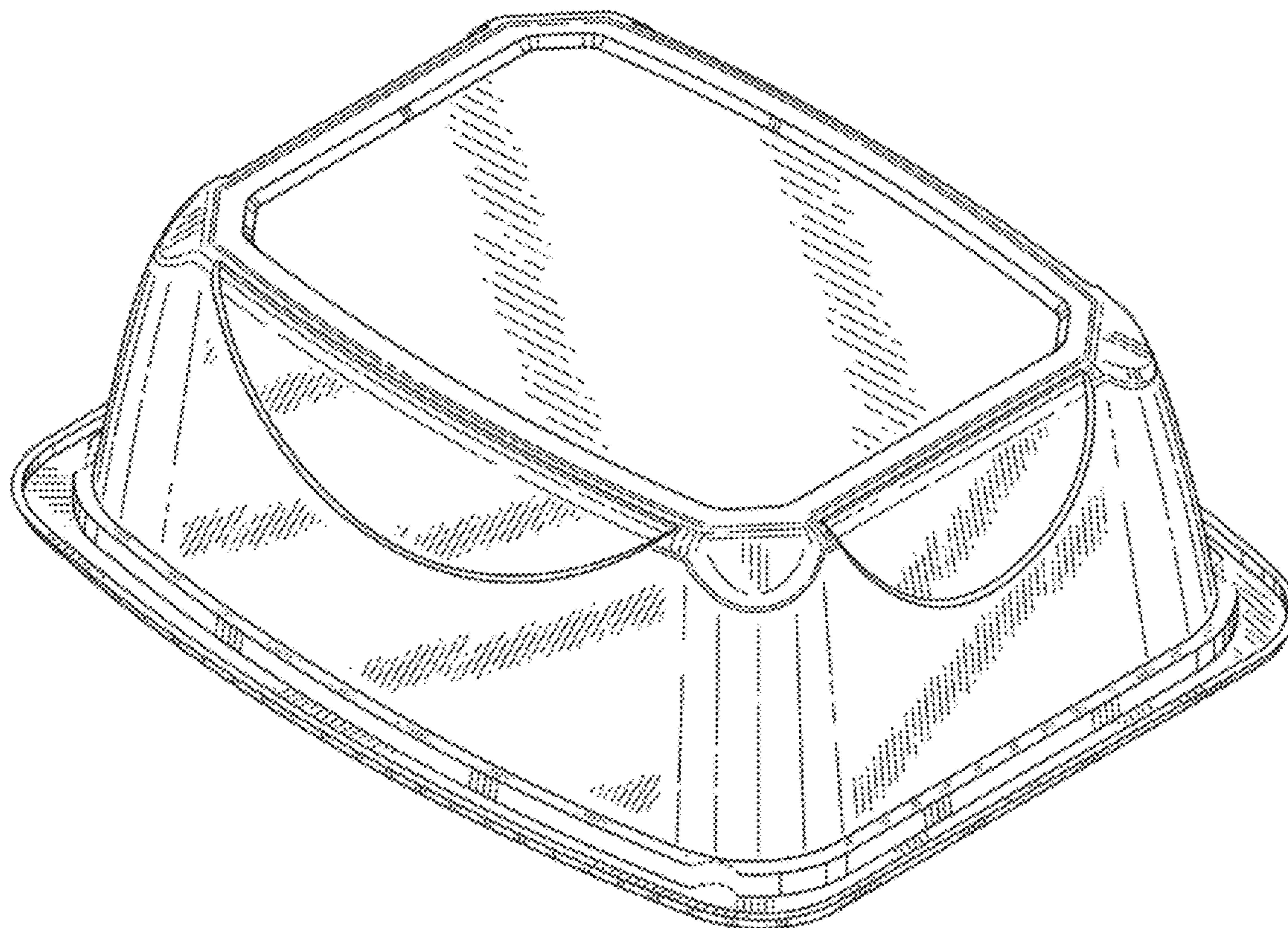
(57) **CLAIM**

An ornamental design for a base, as shown and described.

DESCRIPTION

FIG. 1 is a bottom perspective view of the base;
FIG. 2 is a top perspective view of the base;
FIG. 3 is a top view of the base;
FIG. 4 is a bottom view of the base;
FIG. 5 is a front side view of the base;
FIG. 6 is a back side view of the base;
FIG. 7 is a left side view of the base; and,
FIG. 8 is a right side view of the base.

1 Claim, 6 Drawing Sheets



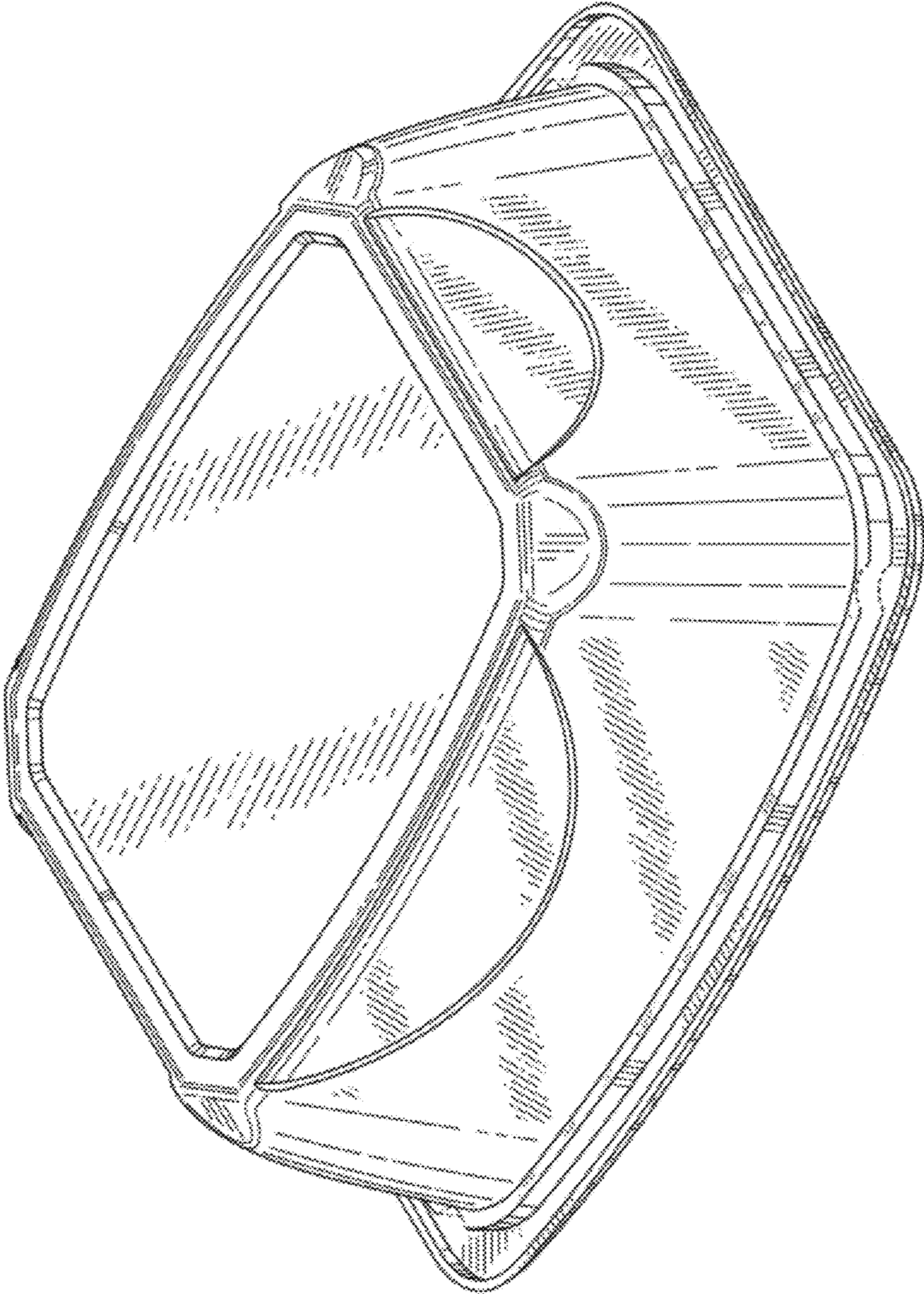


FIG. 1

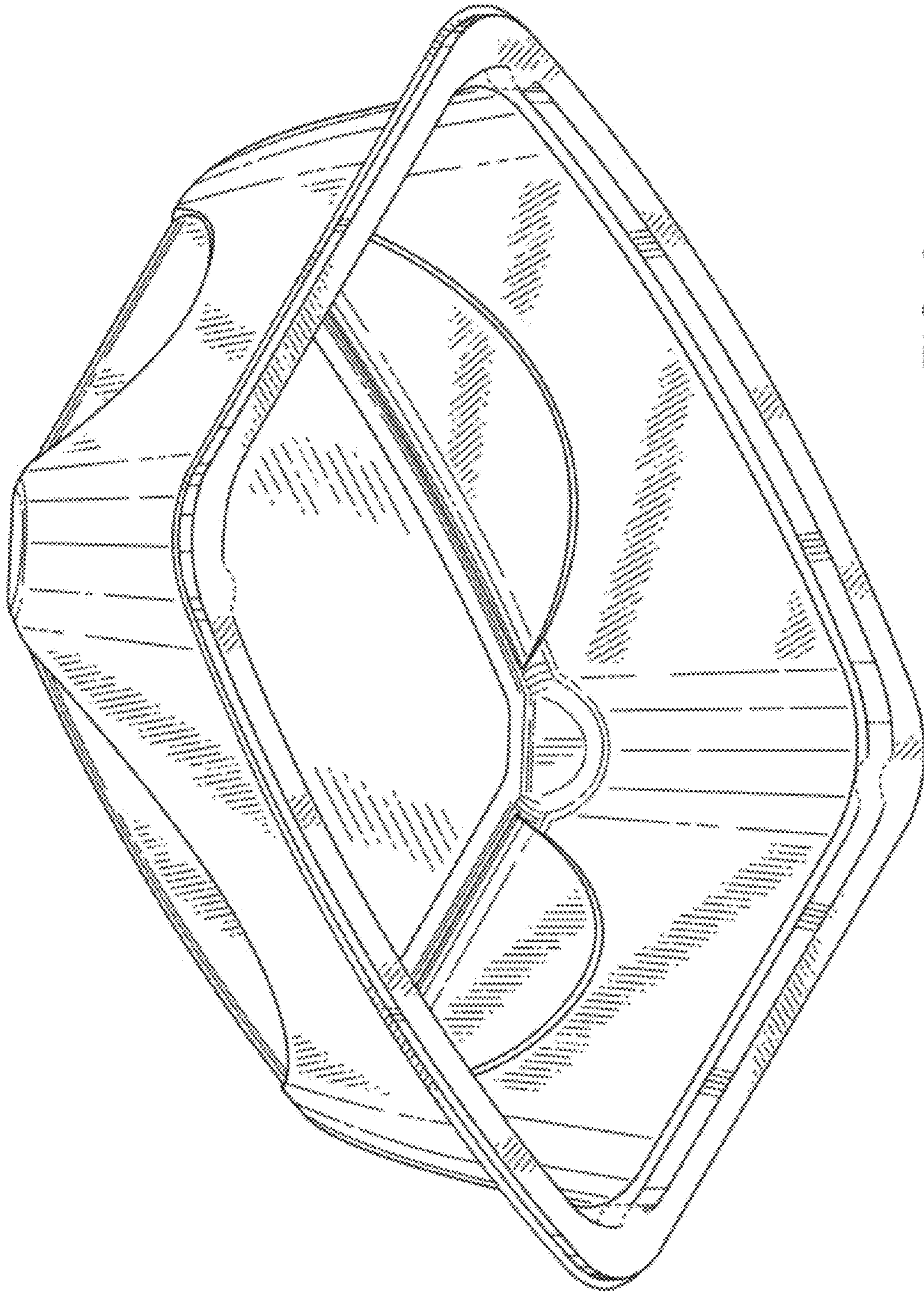


FIG. 2

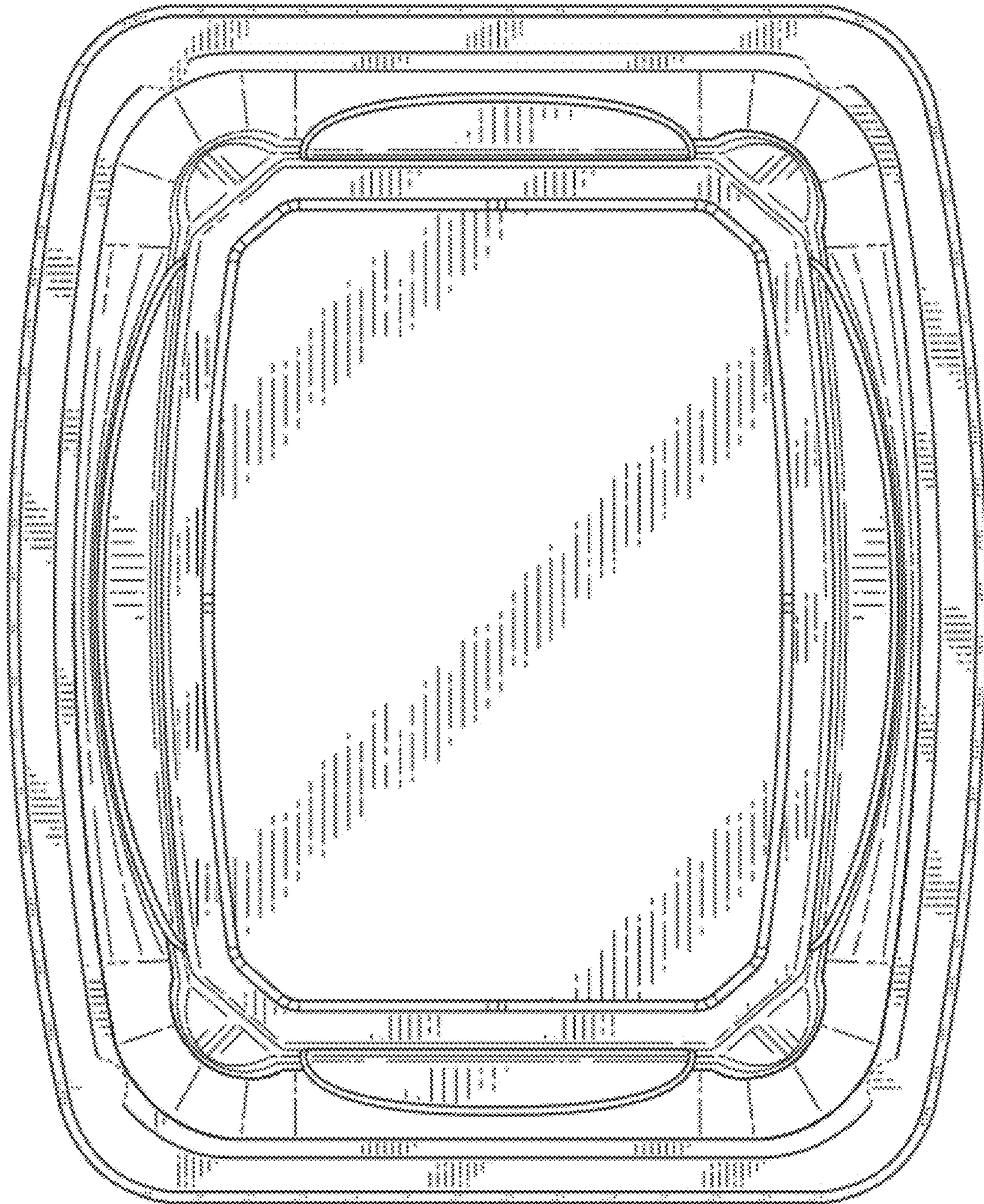


FIG. 3

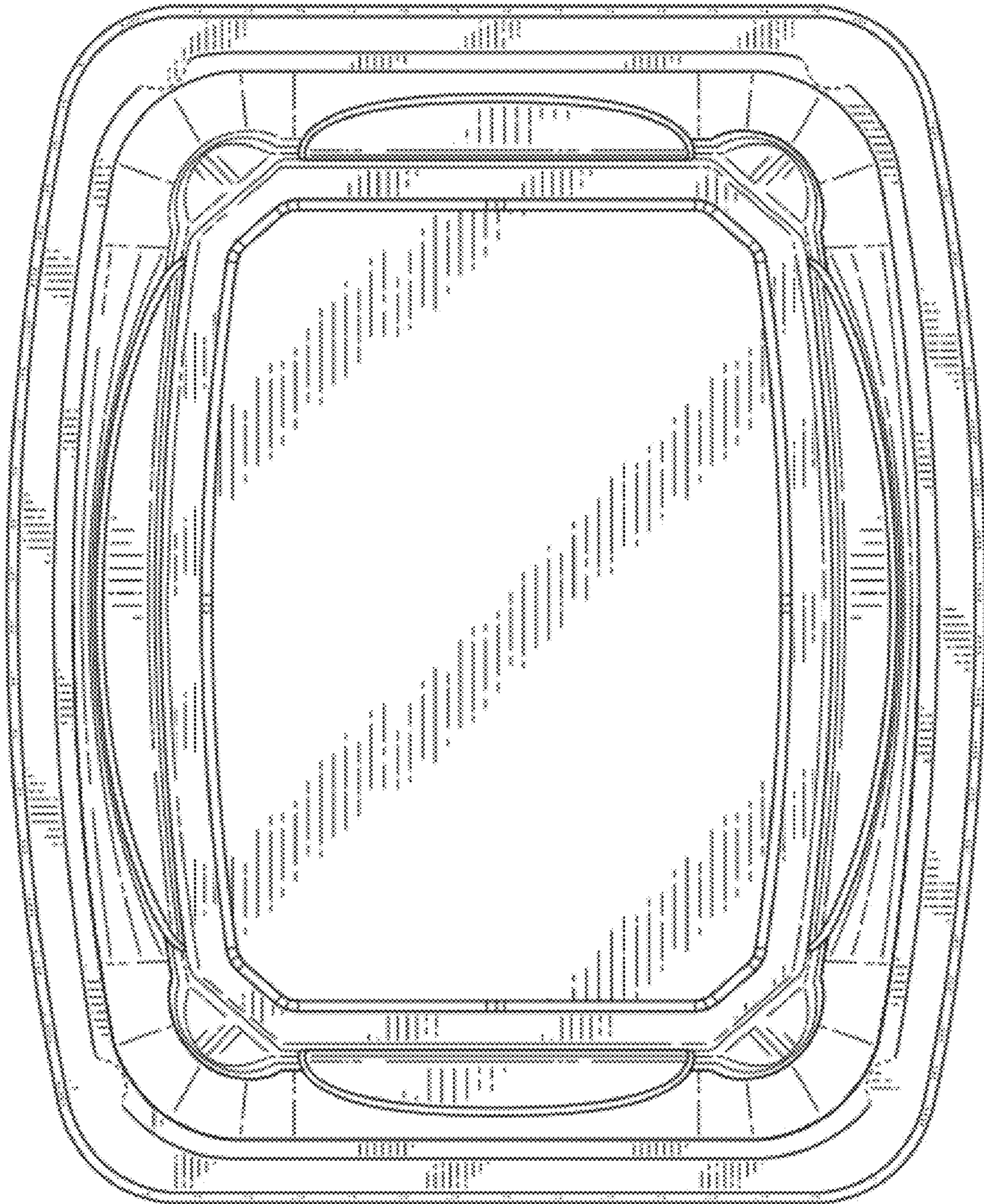


FIG. 4

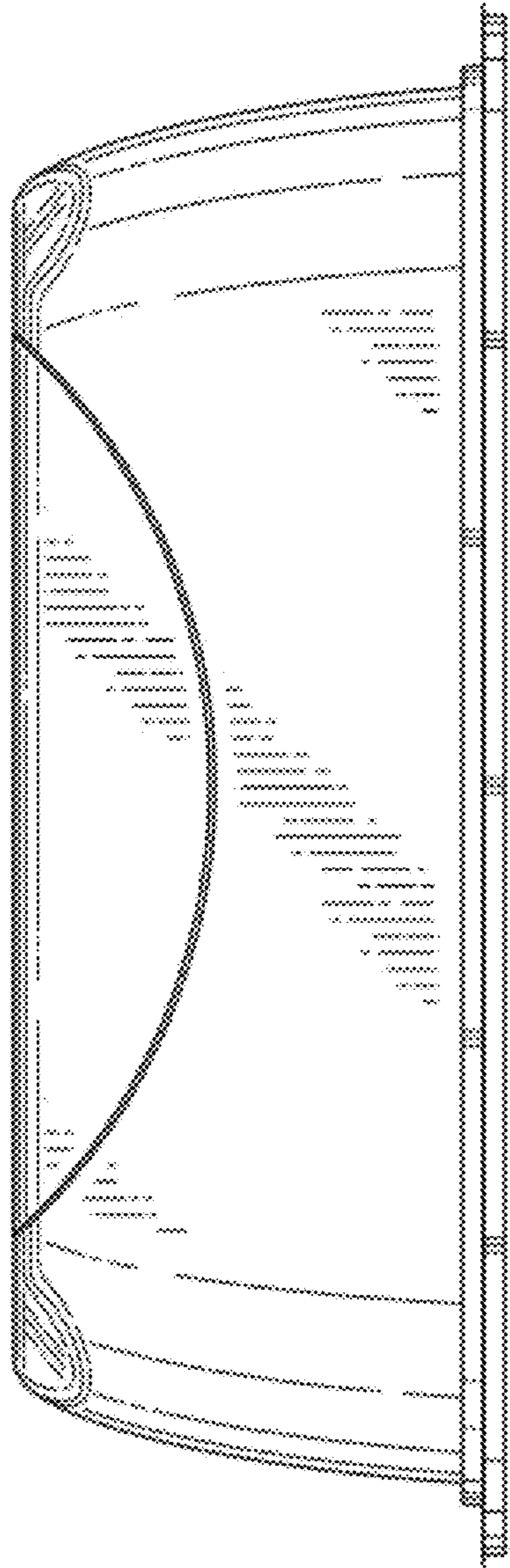


FIG. 5

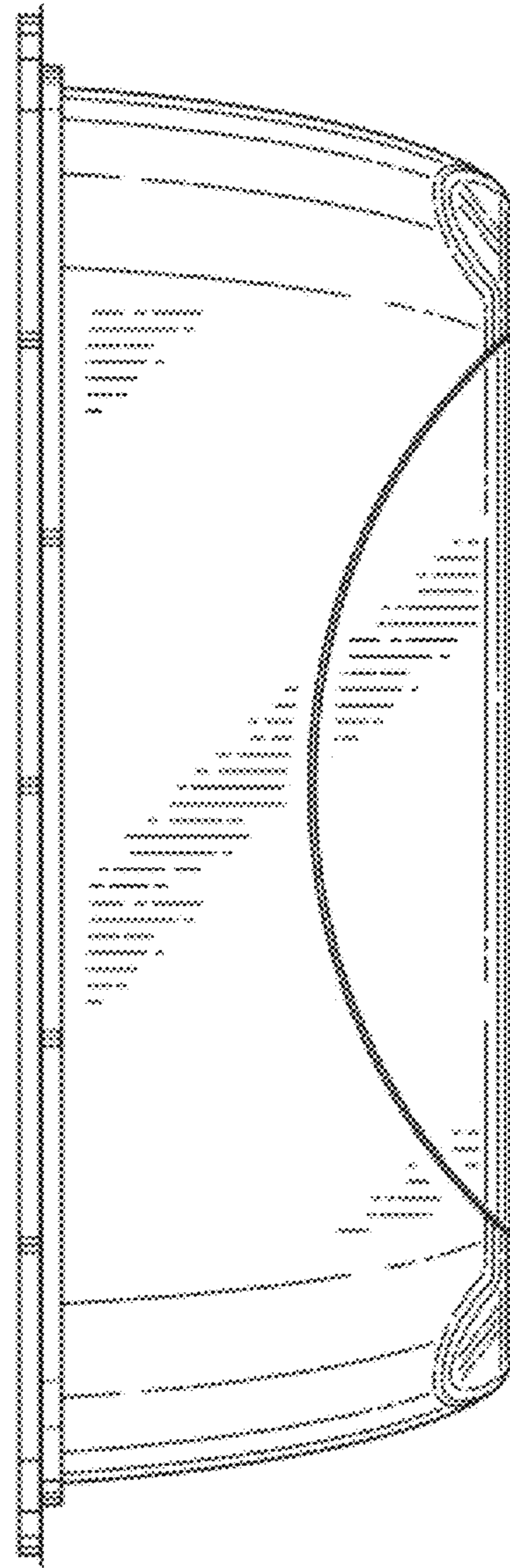


FIG. 6

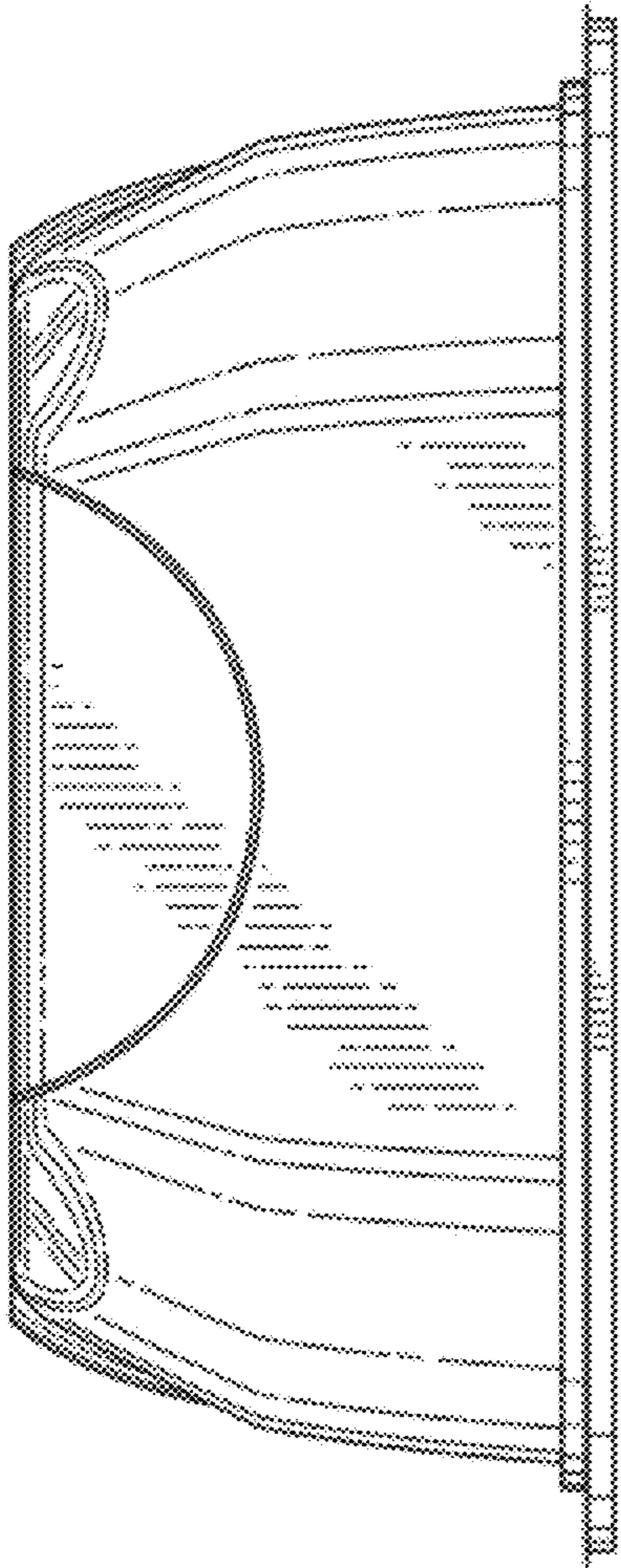


FIG. 7

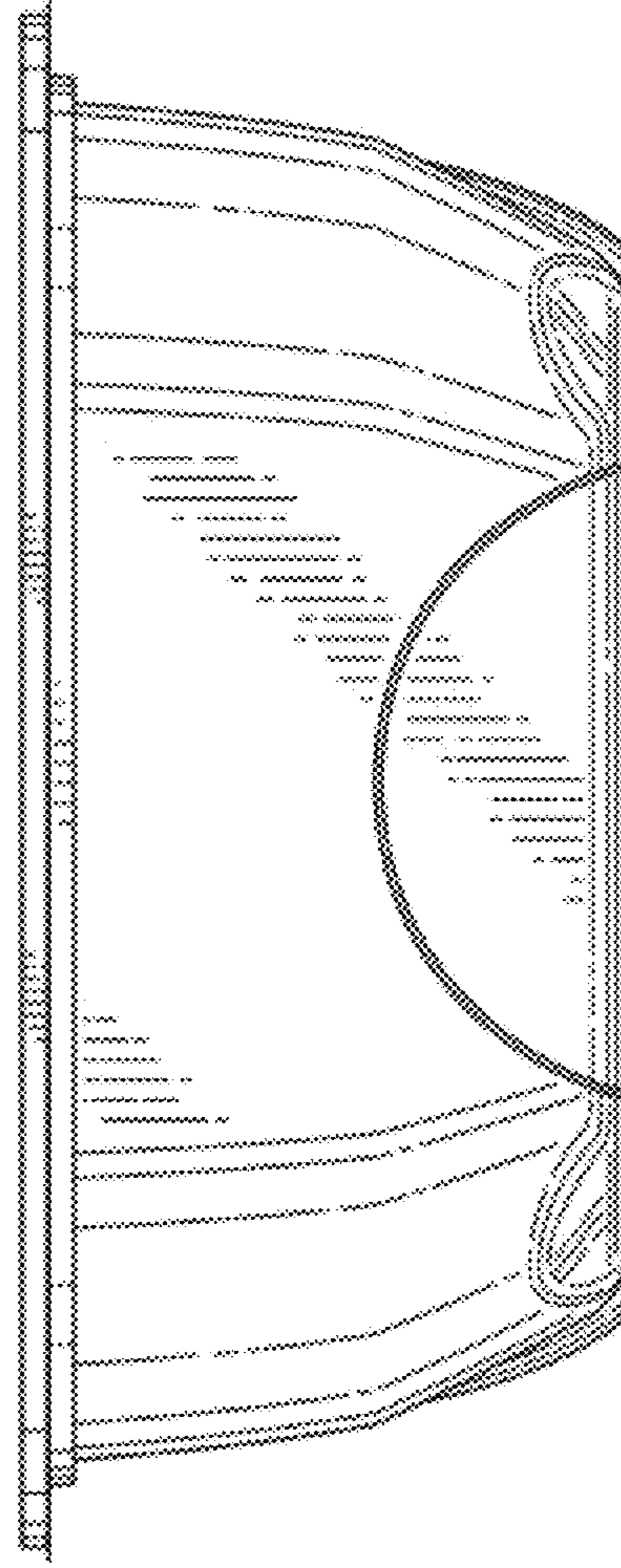


FIG. 8