

US00D665661S

(12) **United States Design Patent**
Kemper

(10) **Patent No.:** **US D665,661 S**

(45) **Date of Patent:** **** Aug. 21, 2012**

(54) **ANCHOR PANEL**

(76) **Inventor:** **Oliver Kemper**, Orlando, FL (US)

(**) **Term:** **14 Years**

(21) **Appl. No.:** **29/355,874**

(22) **Filed:** **Feb. 16, 2010**

(51) **LOC (9) Cl.** **08-08**

(52) **U.S. Cl.** **D8/394**

(58) **Field of Classification Search** D8/354,
D8/356, 371, 394-396, 404; D19/65, 86;
D24/128; 248/74.2, 215, 227.1, 49, 300,
248/301, 316.7, 51, 489; 24/570, 3.12; D3/203.2,
D3/203.3

See application file for complete search history.

(56) **References Cited**

U.S. PATENT DOCUMENTS

1,640,739	A *	8/1927	Trester	249/3
2,951,312	A *	9/1960	Eng	446/110
D263,675	S *	4/1982	Vorves	D8/343
4,650,231	A *	3/1987	Shimura et al.	292/340
4,681,318	A *	7/1987	Lay	473/423
4,852,920	A *	8/1989	DeForrest, Sr.	292/205
D309,417	S *	7/1990	Yamada	D8/345
D457,804	S *	5/2002	Sawajiri et al.	D8/345

D487,866 S * 3/2004 Vito D8/343
2006/0236621 A1 * 10/2006 Burns 52/155
2011/0180679 A1 * 7/2011 Ma 248/346.01

* cited by examiner

Primary Examiner — John Windmuller

(74) *Attorney, Agent, or Firm* — QuickPatents, Inc.; Kevin Prince

(57) **CLAIM**

What is claimed is the ornamental design for an anchor panel, as shown and described.

DESCRIPTION

FIG. 1 is a perspective view of an anchor panel, showing the new design;

FIG. 2 is an exploded perspective view thereof;

FIG. 3 is a front elevational view thereof;

FIG. 4 is a rear elevational view thereof;

FIG. 5 is a left-side elevational view thereof;

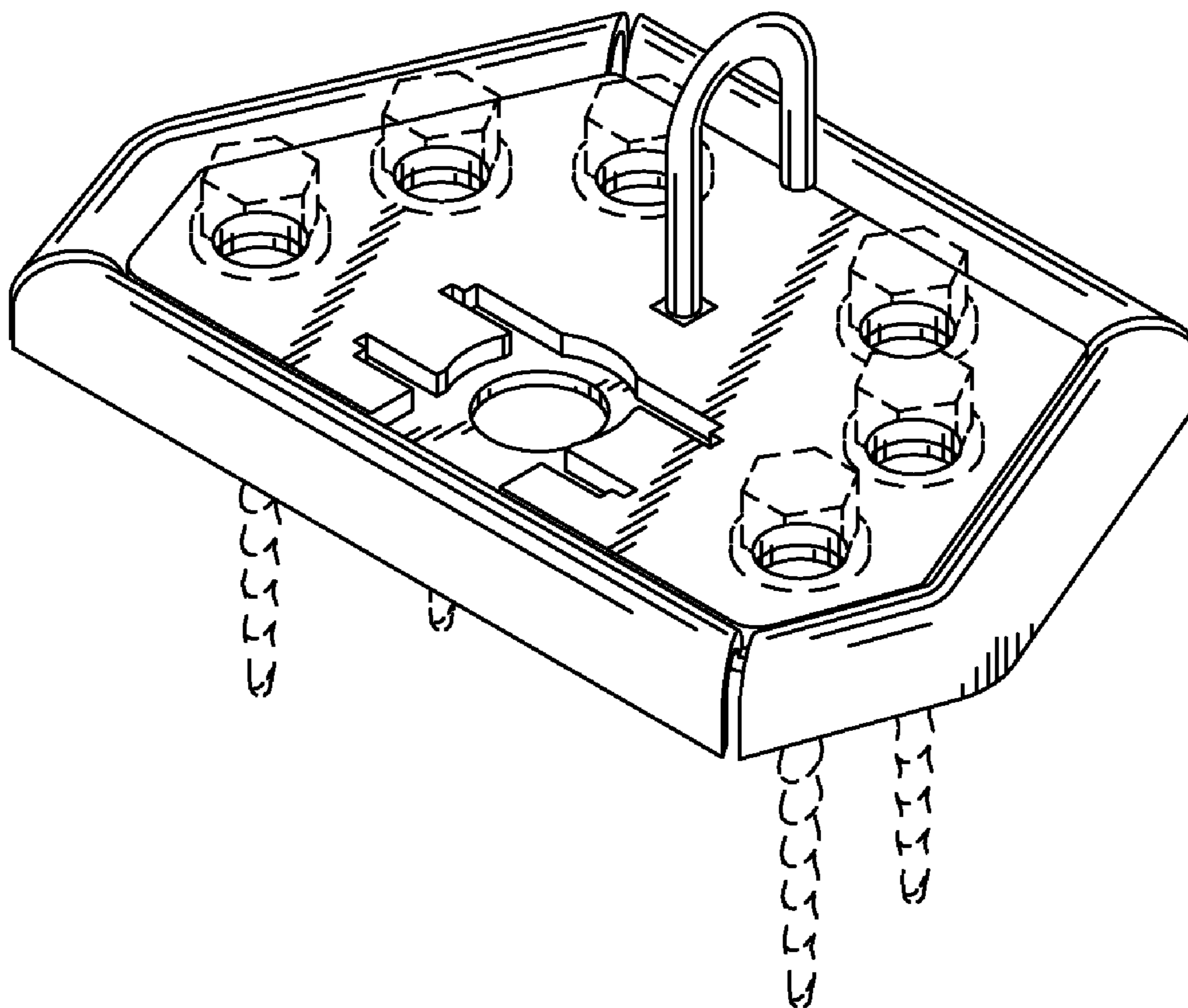
FIG. 6 is a right-side elevational view thereof;

FIG. 7 is a top plan view thereof; and,

FIG. 8 is a bottom plan view thereof.

The broken lines in the figures depict environmental matter and form no part of the claimed design.

1 Claim, 3 Drawing Sheets



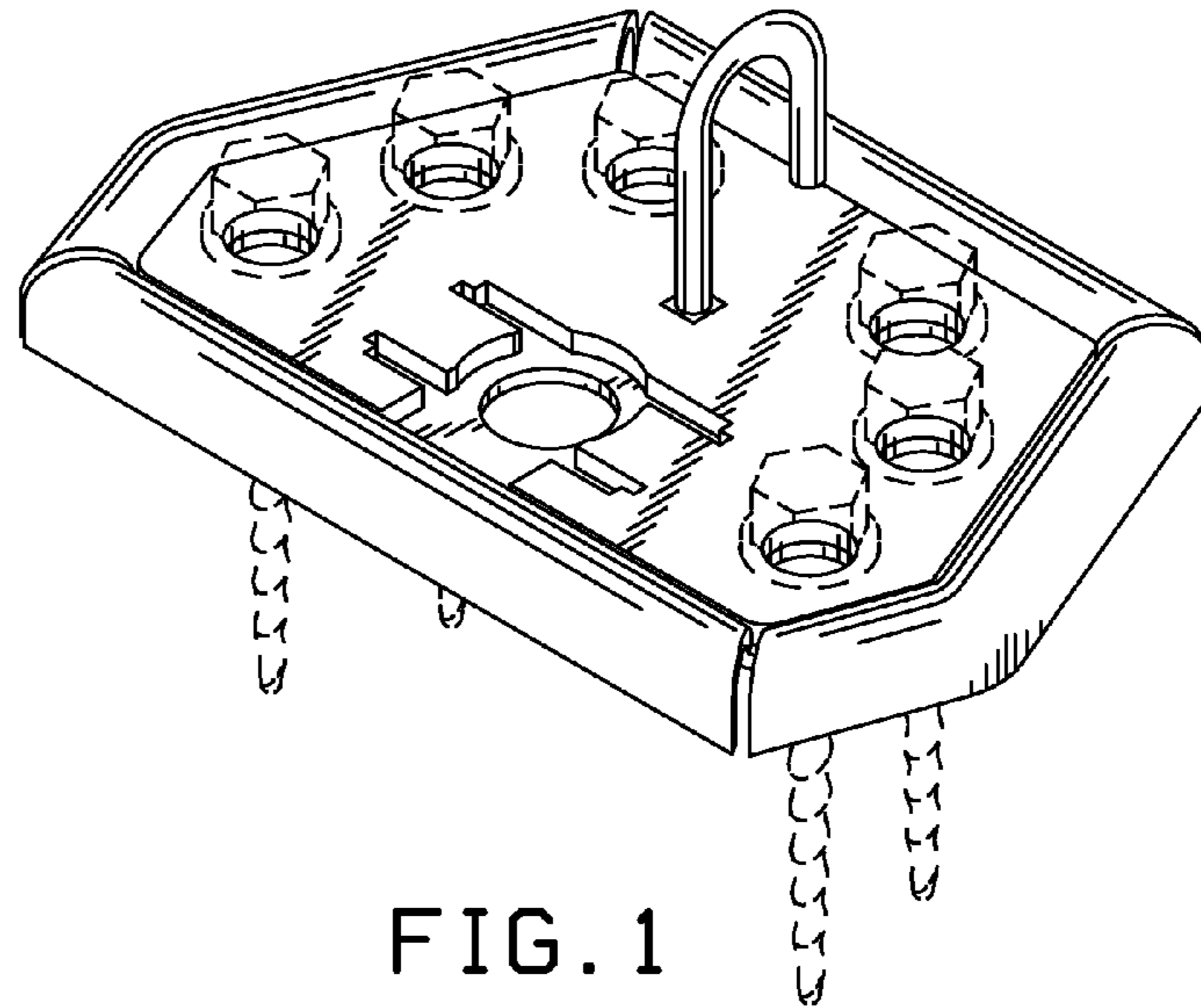


FIG. 1

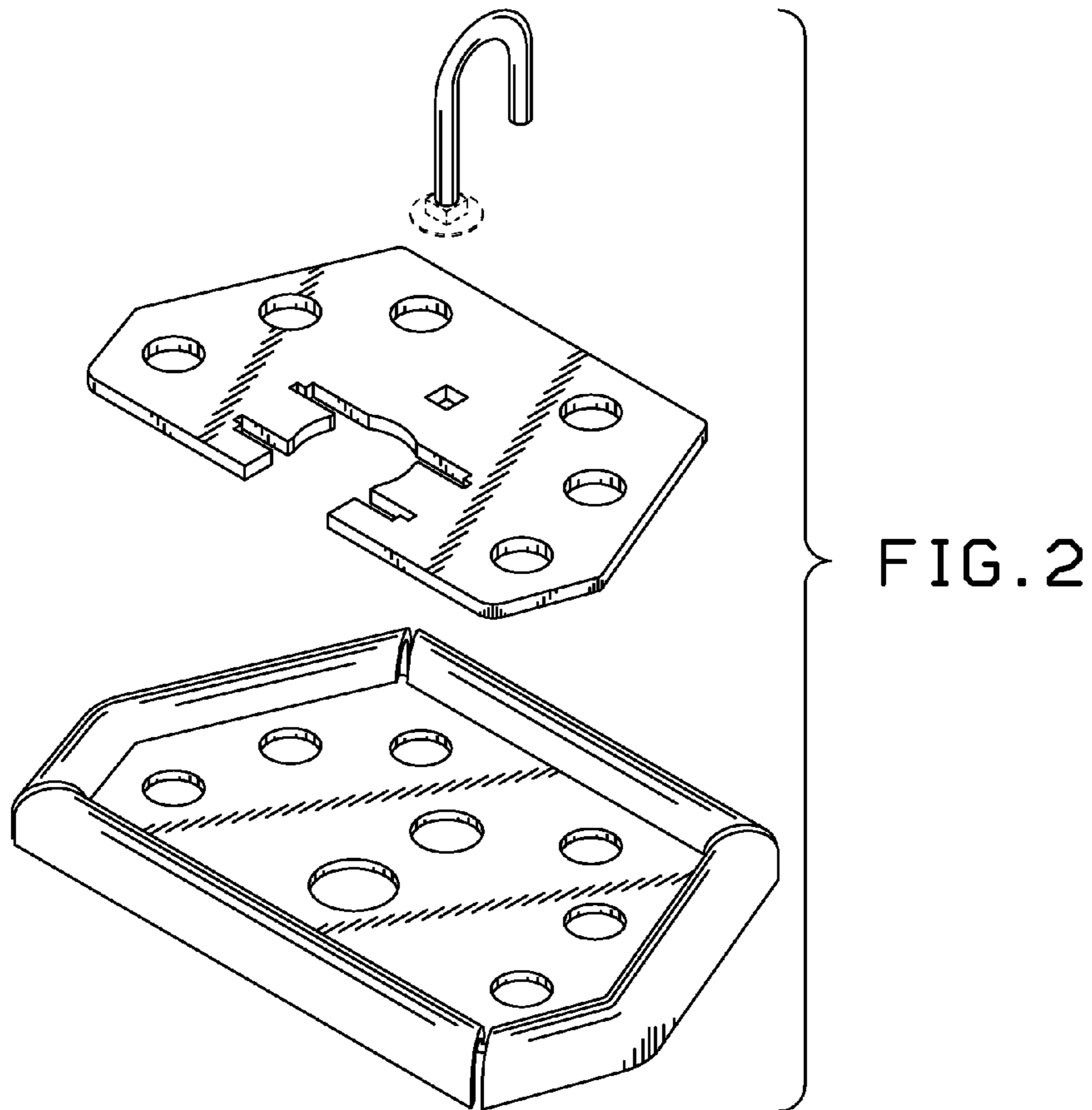


FIG. 2

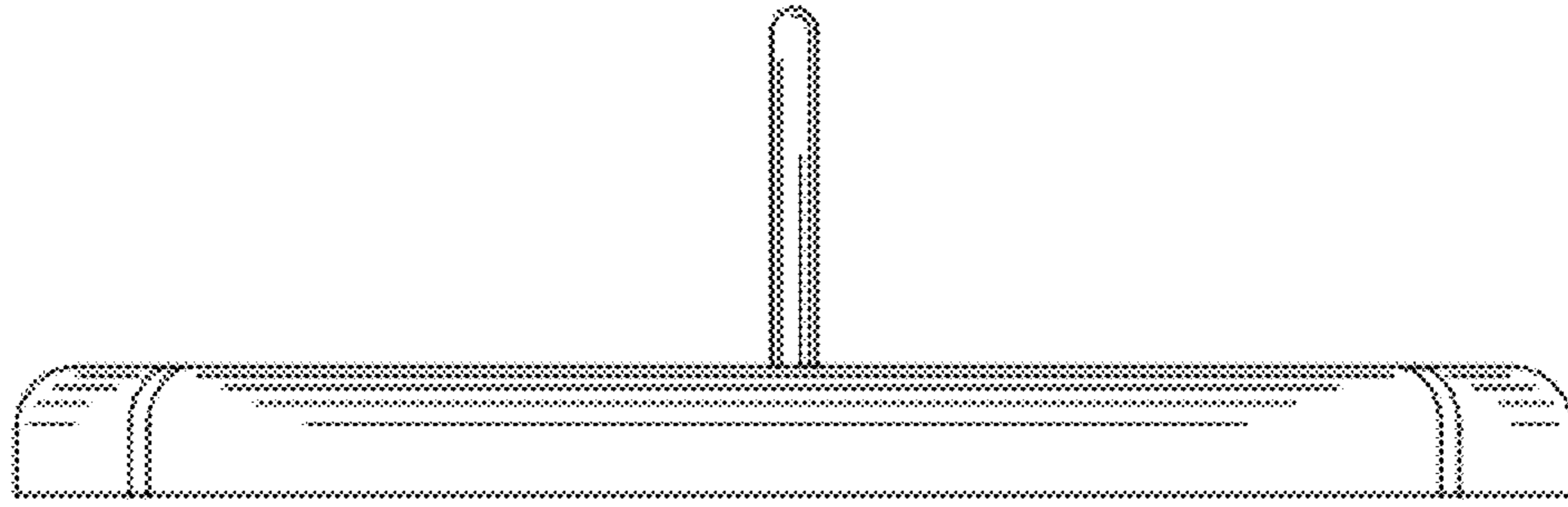


FIG. 3

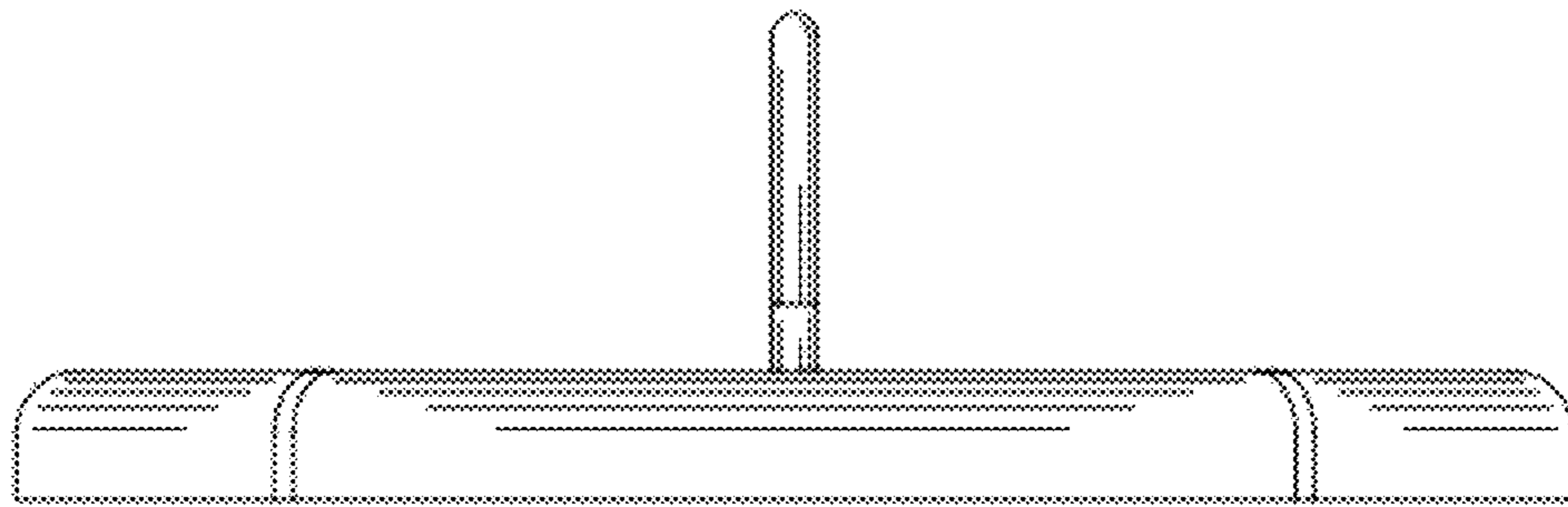


FIG. 4

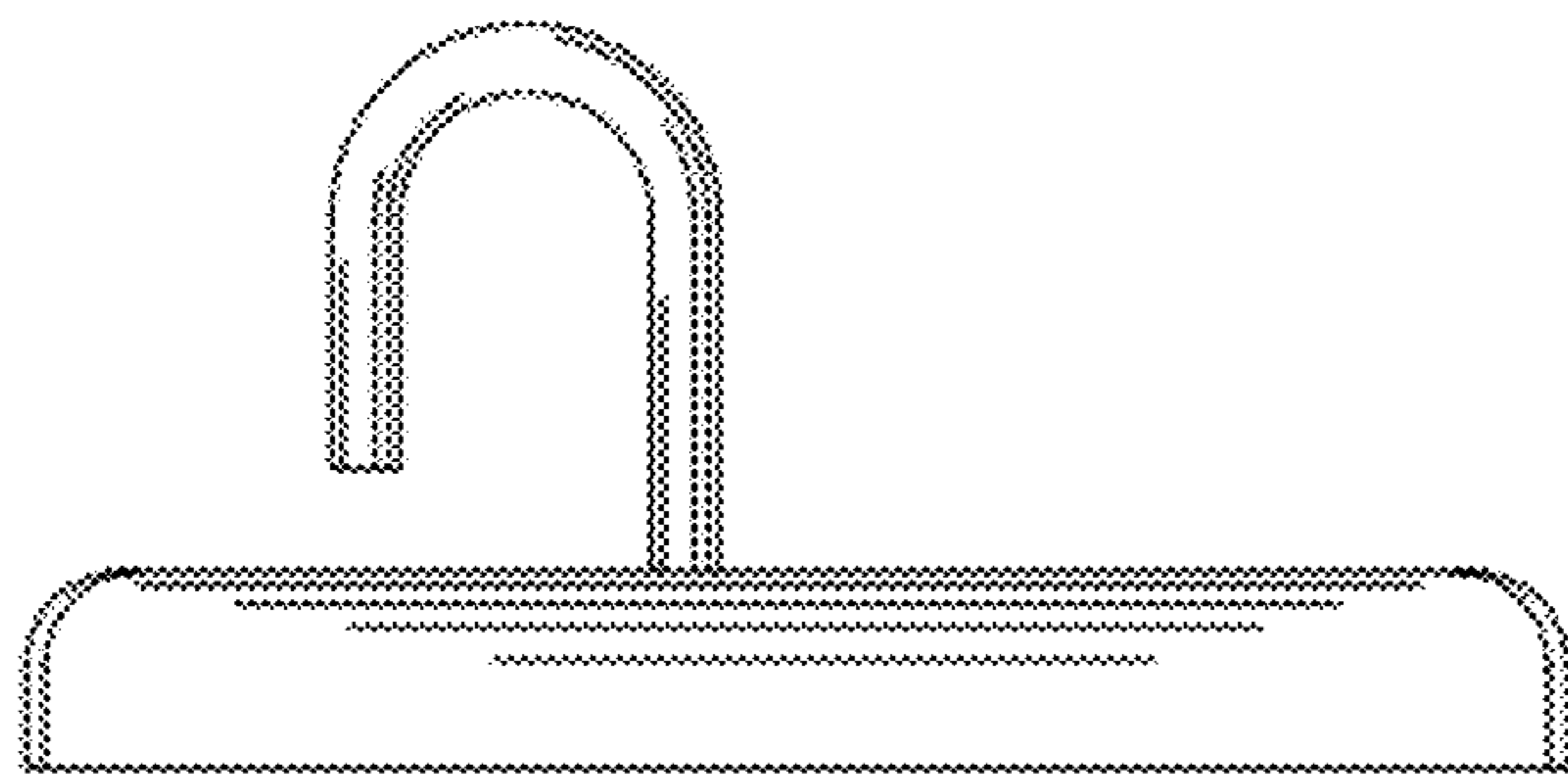


FIG. 5

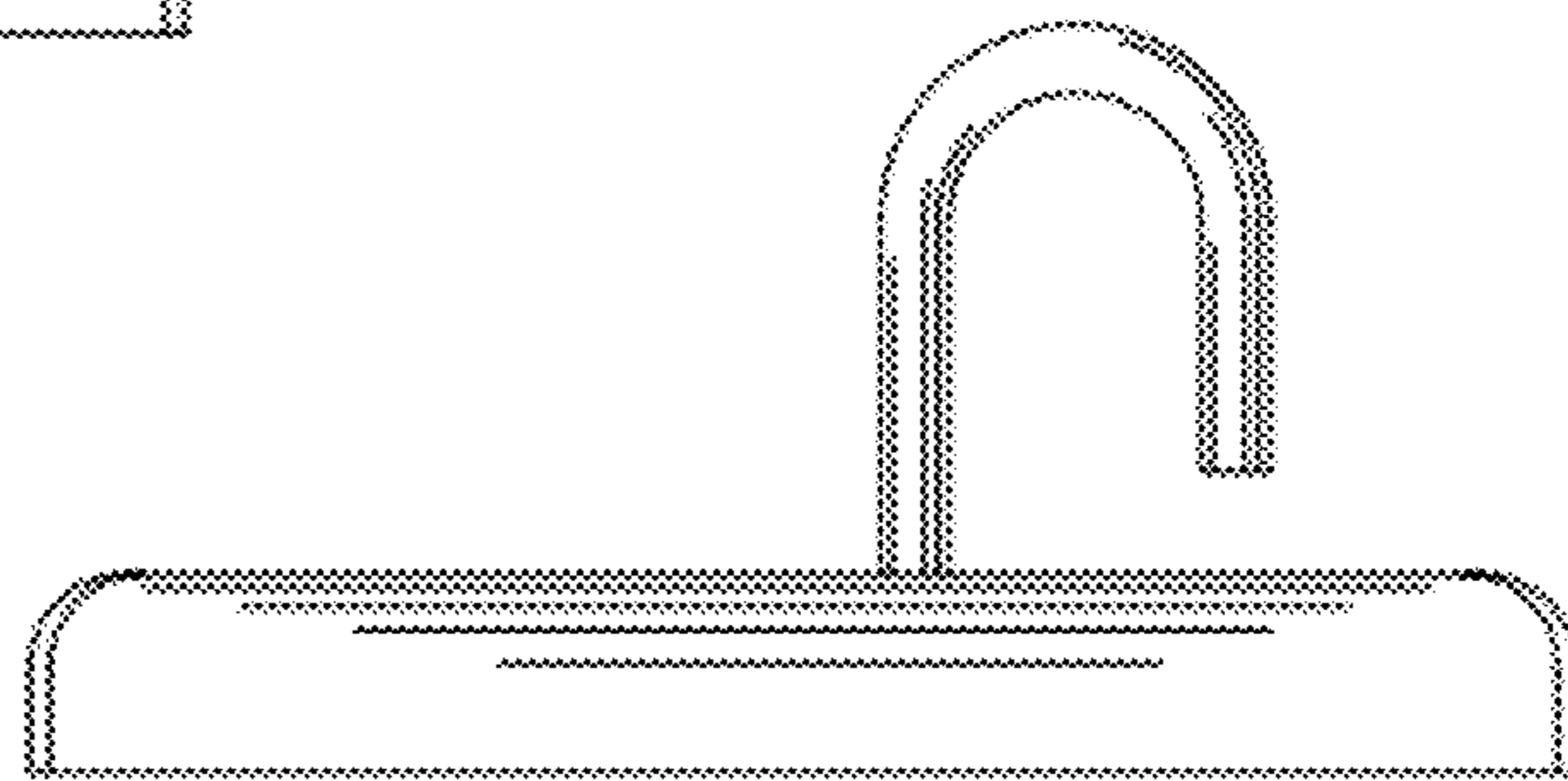


FIG. 6

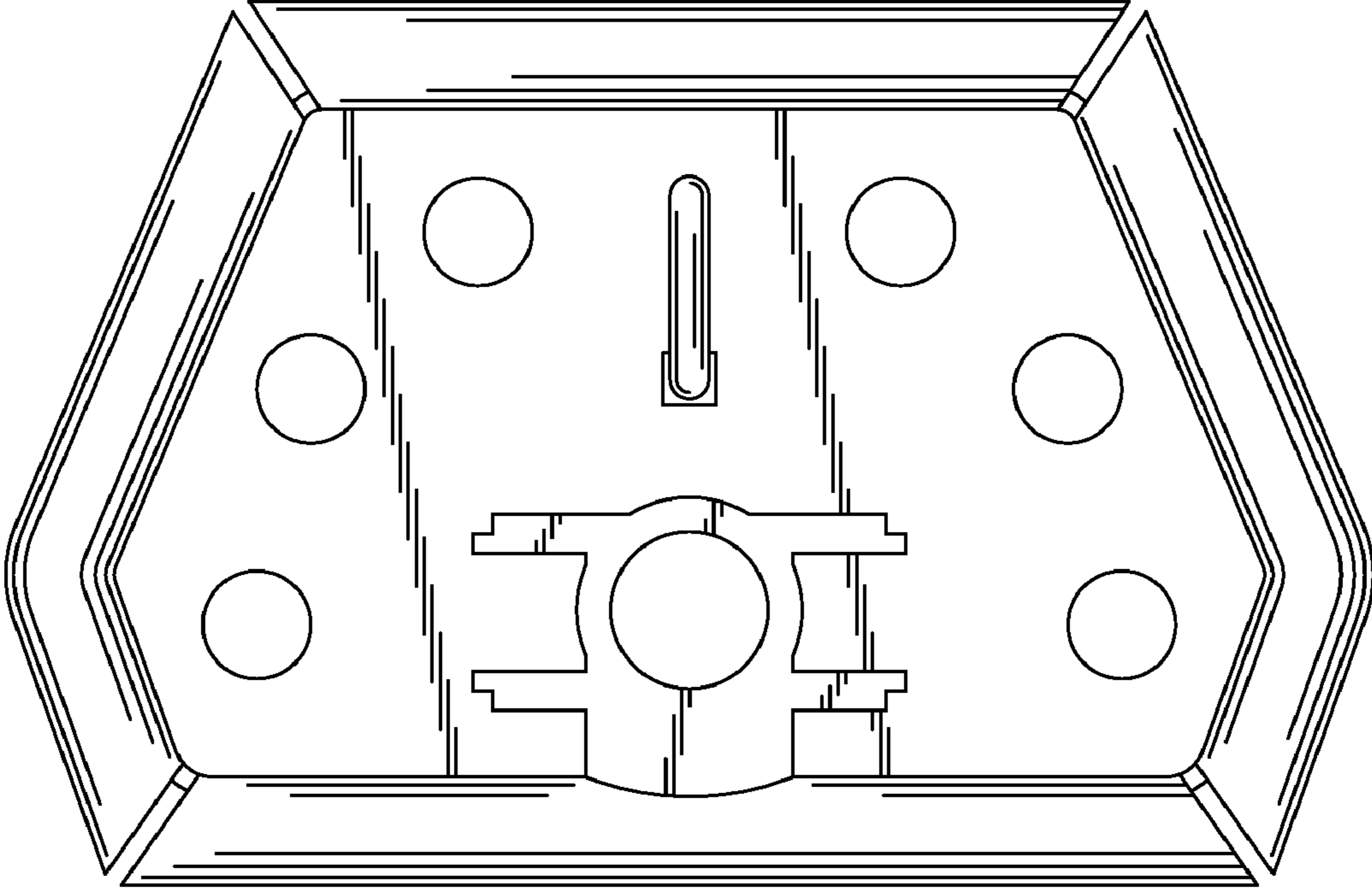


FIG. 7

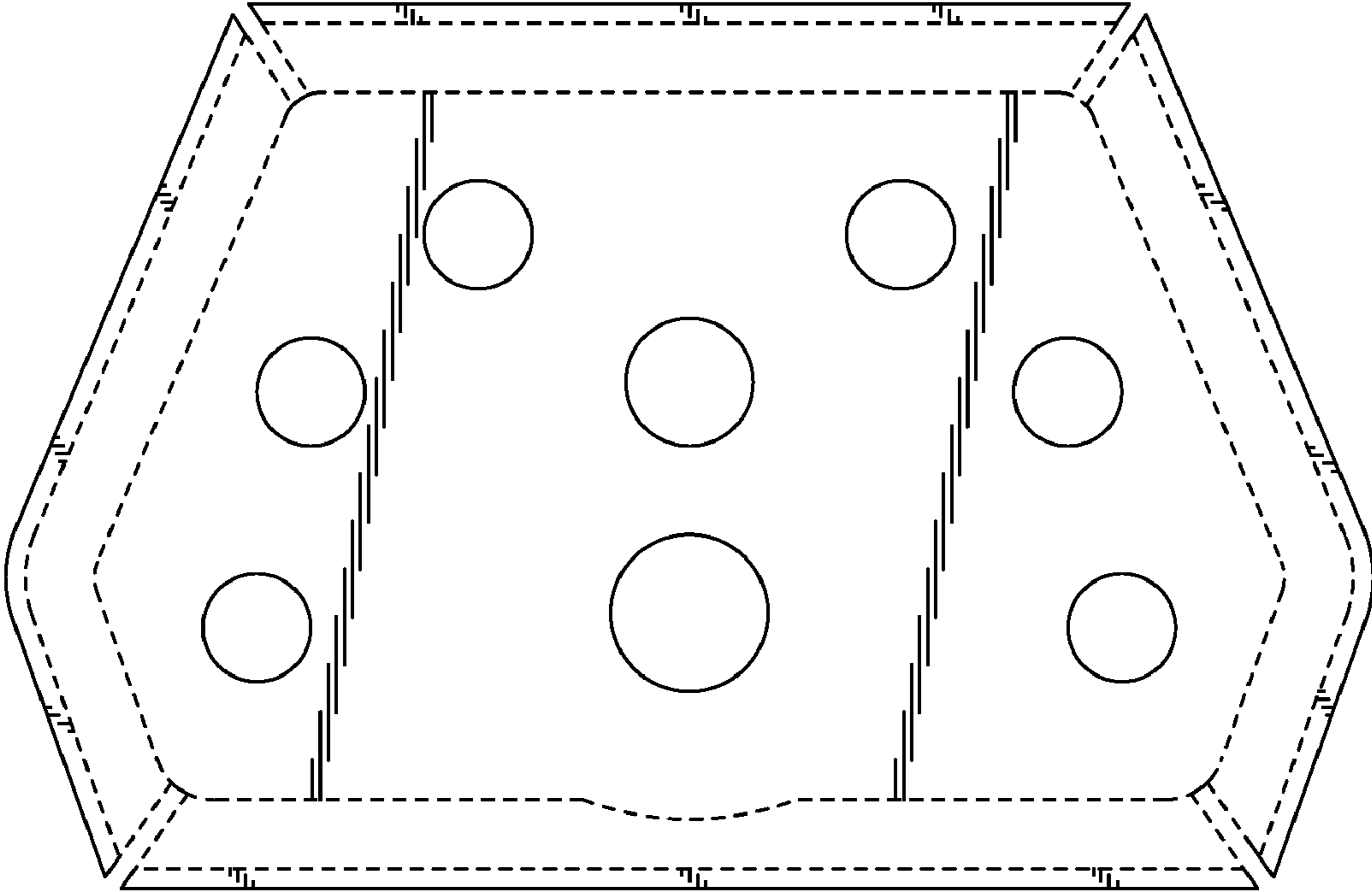


FIG. 8