

US00D665659S

(12) **United States Design Patent**
Heindl

(10) **Patent No.:** **US D665,659 S**

(45) **Date of Patent:** **** Aug. 21, 2012**

(54) **SHEET PILE CONNECTOR**

(75) Inventor: **Richard Heindl**, Siegsdorf (DE)

(73) Assignee: **Richard Heindl**, Siegsdorf (DE)

(**) Term: **14 Years**

(21) Appl. No.: **29/390,818**

(22) Filed: **Apr. 29, 2011**

(30) **Foreign Application Priority Data**

Oct. 29, 2010 (EM) 001775271

(51) **LOC (9) Cl.** **08-08**

(52) **U.S. Cl.** **D8/382**

(58) **Field of Classification Search** D8/382,
D8/394, 395; D25/119, 61; 405/279, 278;
24/573.09, 346, 370; 428/99

See application file for complete search history.

(56) **References Cited**

U.S. PATENT DOCUMENTS

904,156	A *	11/1908	Slick	405/279
D242,035	S *	10/1976	Drawsky	D25/119
D527,248	S *	8/2006	Heindl et al.	D8/382
D541,638	S *	5/2007	Heindl	D8/382

D542,633	S *	5/2007	Heindl	D8/382
D543,841	S *	6/2007	Heindl et al.	D8/382
D618,991	S *	7/2010	Heindl	D8/382
D619,886	S *	7/2010	Heindl	D8/382
D621,247	S *	8/2010	Heindl	D8/382
D621,248	S *	8/2010	Heindl	D8/382
D622,579	S *	8/2010	Heindl	D8/382
7,935,406	B2 *	5/2011	Heindl	428/99
D640,532	S *	6/2011	Austro	D8/382
D640,533	S *	6/2011	Austro	D8/382

* cited by examiner

Primary Examiner — Sheryl Lane

(74) *Attorney, Agent, or Firm* — Novak Druce + Quigg LLP

(57) **CLAIM**

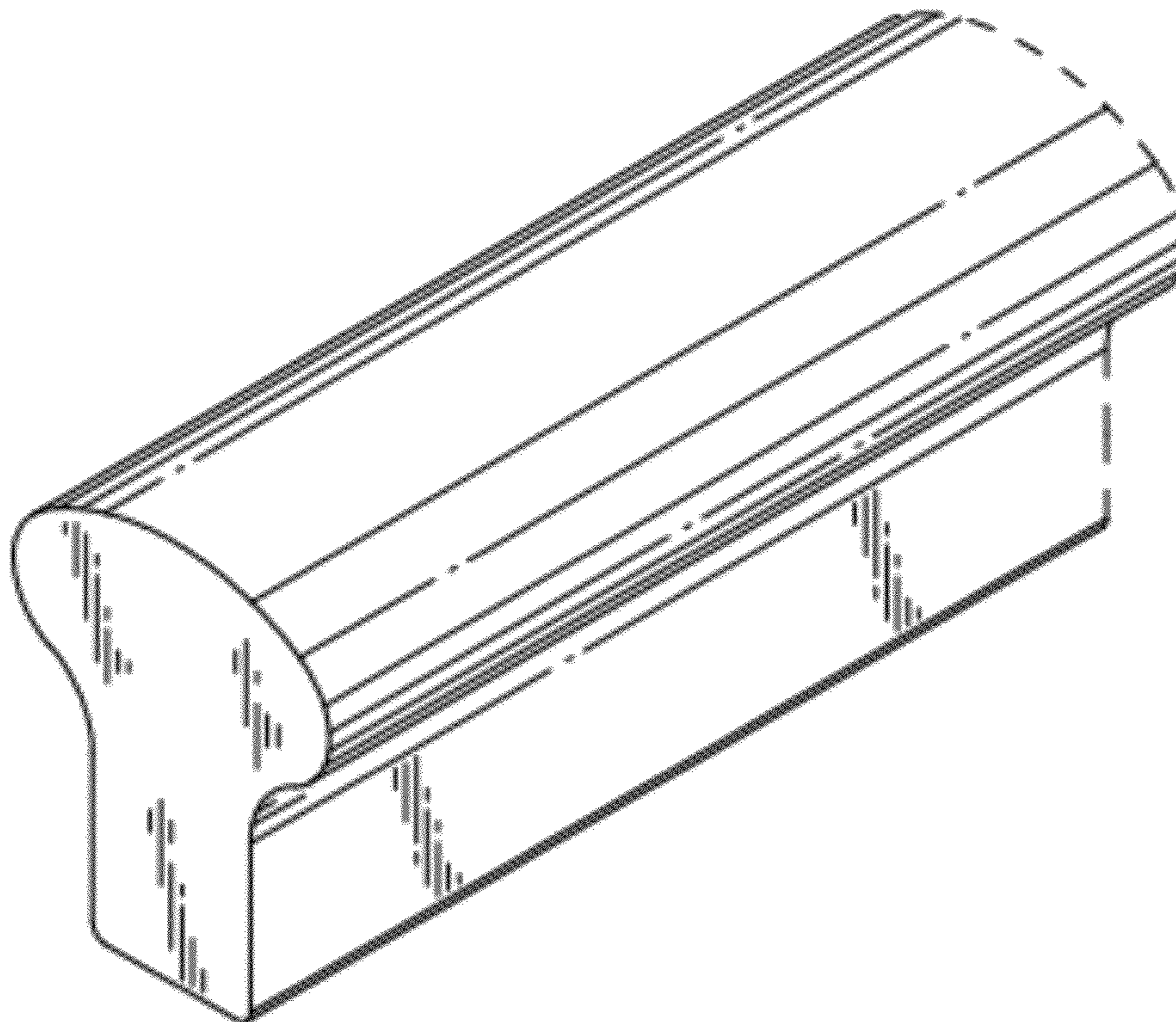
I claim the ornamental design for a sheet pile connector, as shown and described.

DESCRIPTION

FIG. 1 is a perspective view of a sheet pile connector;
FIG. 2 is a front elevational view thereof;
FIG. 3 is a right side elevational view thereof; and,
FIG. 4 is a bottom plan view thereof.

The left side of the article is the same as the right, and so is not illustrated. The broken line showing of the connector is for the purpose of showing boundaries and forms no part of the claimed design.

1 Claim, 4 Drawing Sheets



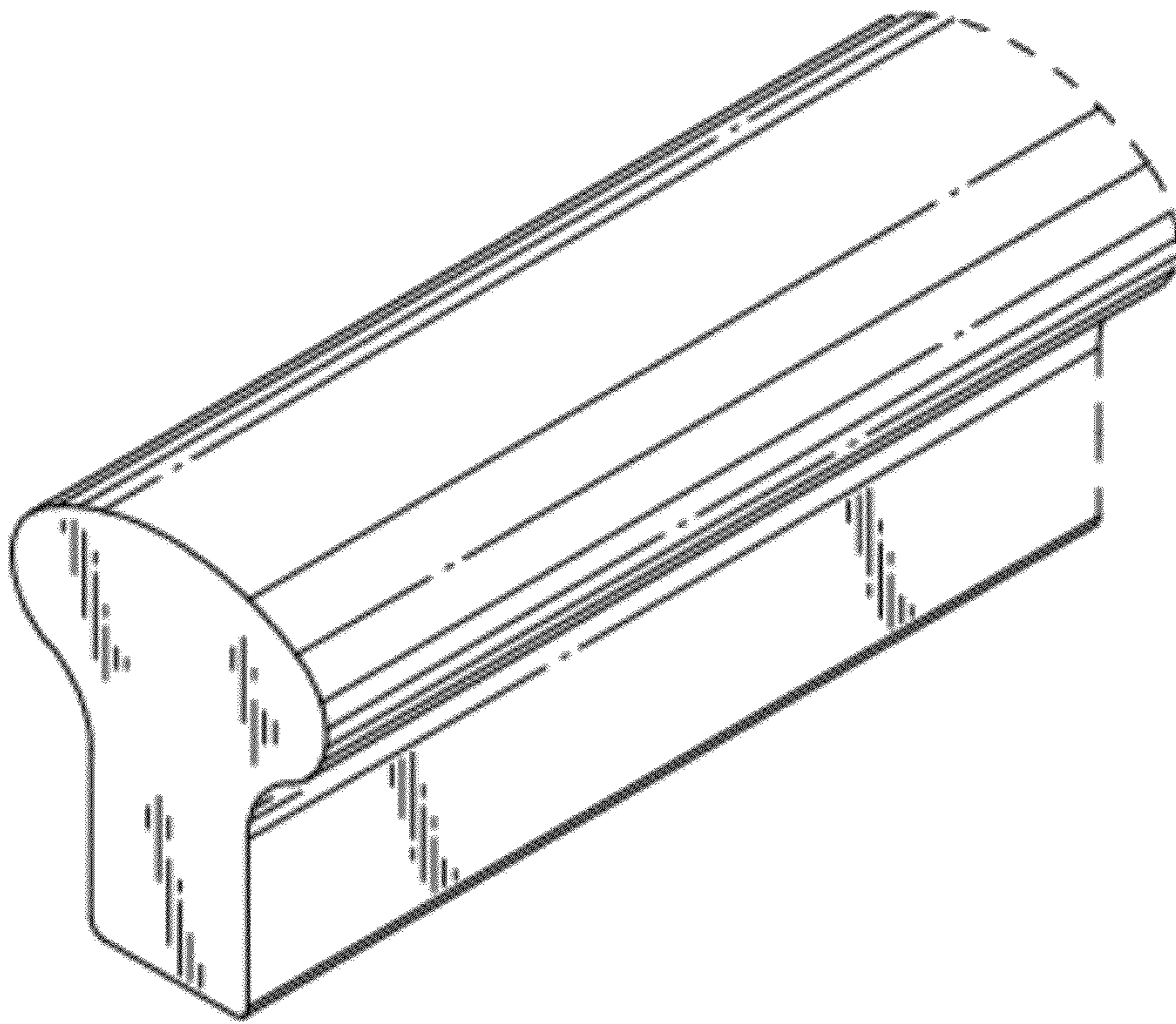


Fig. 1



Fig. 2

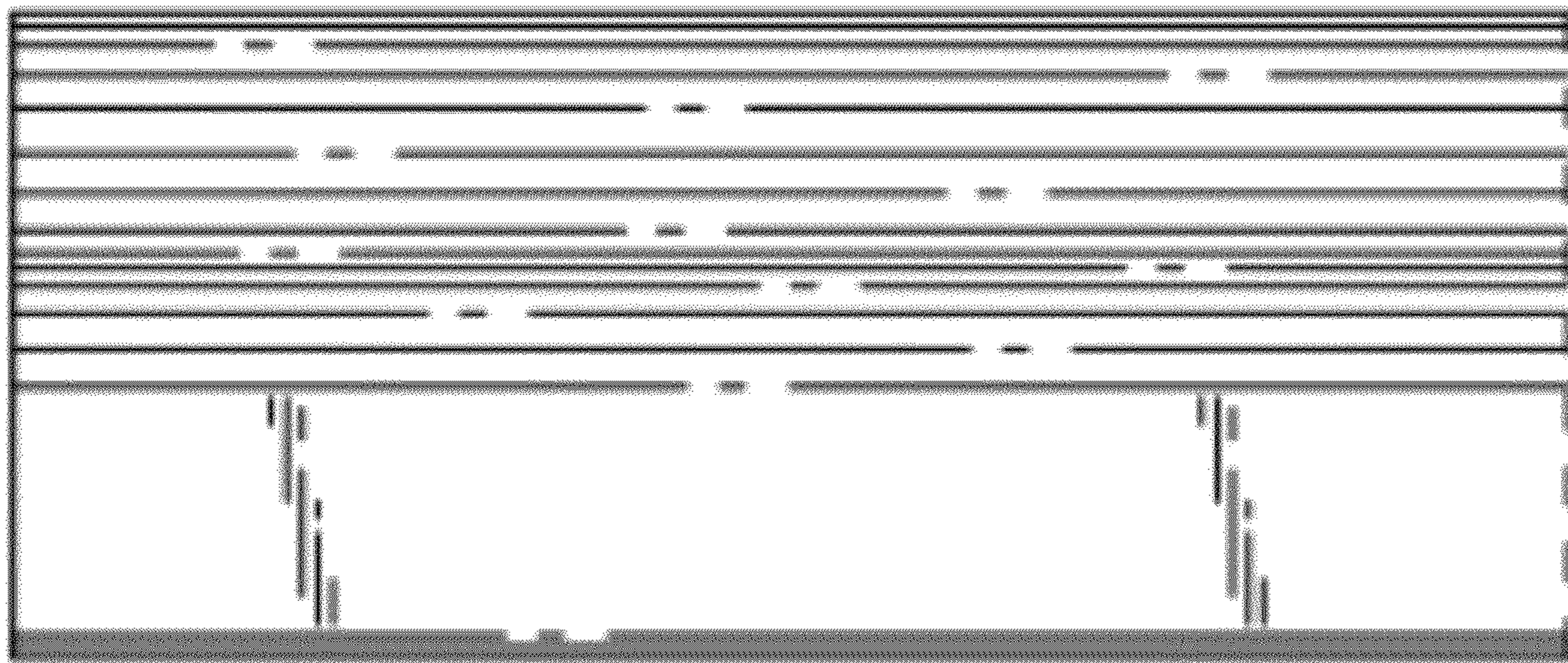


Fig. 3

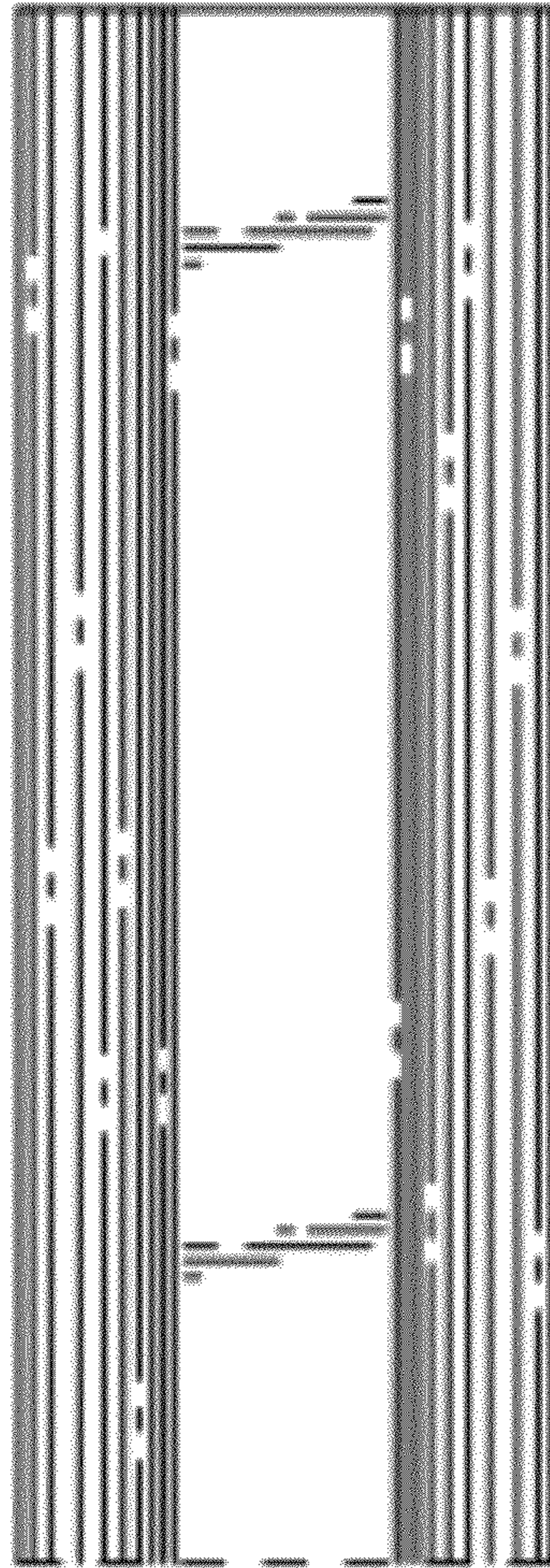


Fig. 4