



US00D665657S

(12) **United States Design Patent**
Pelc

(10) **Patent No.:** **US D665,657 S**

(45) **Date of Patent:** **** Aug. 21, 2012**

(54) **DECK TILE CONNECTOR**

(76) Inventor: **Robert J. Pelc**, Bradenton, FL (US)

(**) Term: **14 Years**

(21) Appl. No.: **29/390,367**

(22) Filed: **Apr. 23, 2011**

(51) **LOC (9) Cl.** **08-08**

(52) **U.S. Cl.** **D8/382; D8/354**

(58) **Field of Classification Search** D8/382,
D8/349, 354, 394; 52/126.1, 126.6, 126.7,
52/220.1, 483.1, 747.11; D25/199; 248/200,
248/300, 346.1, 346.5

See application file for complete search history.

(56) **References Cited**

U.S. PATENT DOCUMENTS

2,867,301	A	1/1959	Benton	
3,065,506	A	11/1962	Tremer	
3,318,057	A	5/1967	Norsworthy	
3,616,584	A	11/1971	Sartori	
3,861,098	A	1/1975	Schaub	
4,279,109	A	7/1981	Madl, Jr.	
4,749,302	A	6/1988	DeClute	
4,803,823	A *	2/1989	Stenson	52/483.1
4,835,924	A	6/1989	Blacklin	
D315,667	S *	3/1991	Johnson	D8/354
5,511,353	A	4/1996	Jones	
5,588,264	A	12/1996	Buzon	

5,671,852	A *	9/1997	Maharg	211/189
5,752,853	A *	5/1998	Curtindale	439/567
5,791,096	A	8/1998	Chen	
6,520,471	B2 *	2/2003	Jones et al.	248/346.5
6,669,163	B2 *	12/2003	Davis, Jr.	248/346.01
6,702,515	B1 *	3/2004	Frederiksen	404/41
7,140,156	B1	11/2006	Lowe	
7,257,926	B1 *	8/2007	Kirby	52/126.5
D557,830	S *	12/2007	Lee	D25/199
7,386,955	B1 *	6/2008	Repasky	52/126.6
D598,277	S *	8/2009	Tsai	D8/394
D608,917	S *	1/2010	Ward et al.	D25/199
7,918,059	B2	4/2011	Repasky	
7,921,612	B2	4/2011	Knight	
7,941,987	B1 *	5/2011	Raim	52/747.11

* cited by examiner

Primary Examiner — Sheryl Lane

(74) *Attorney, Agent, or Firm* — Patricia M. Constanzo, Esq.

(57) **CLAIM**

The ornamental design for a deck tile connector, as shown and described.

DESCRIPTION

FIG. 1 is a bottom view of a deck tile connector showing the new design;

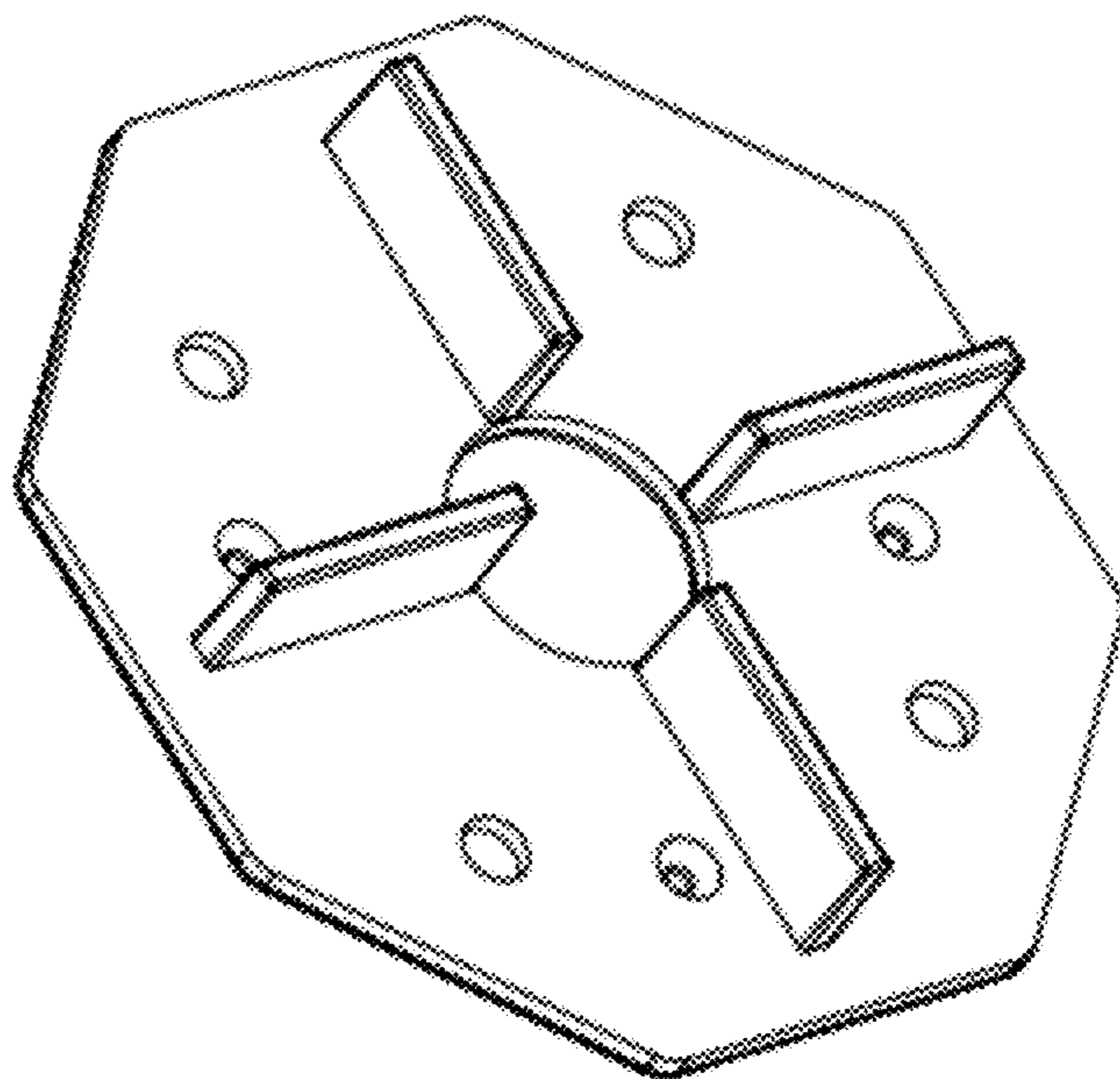
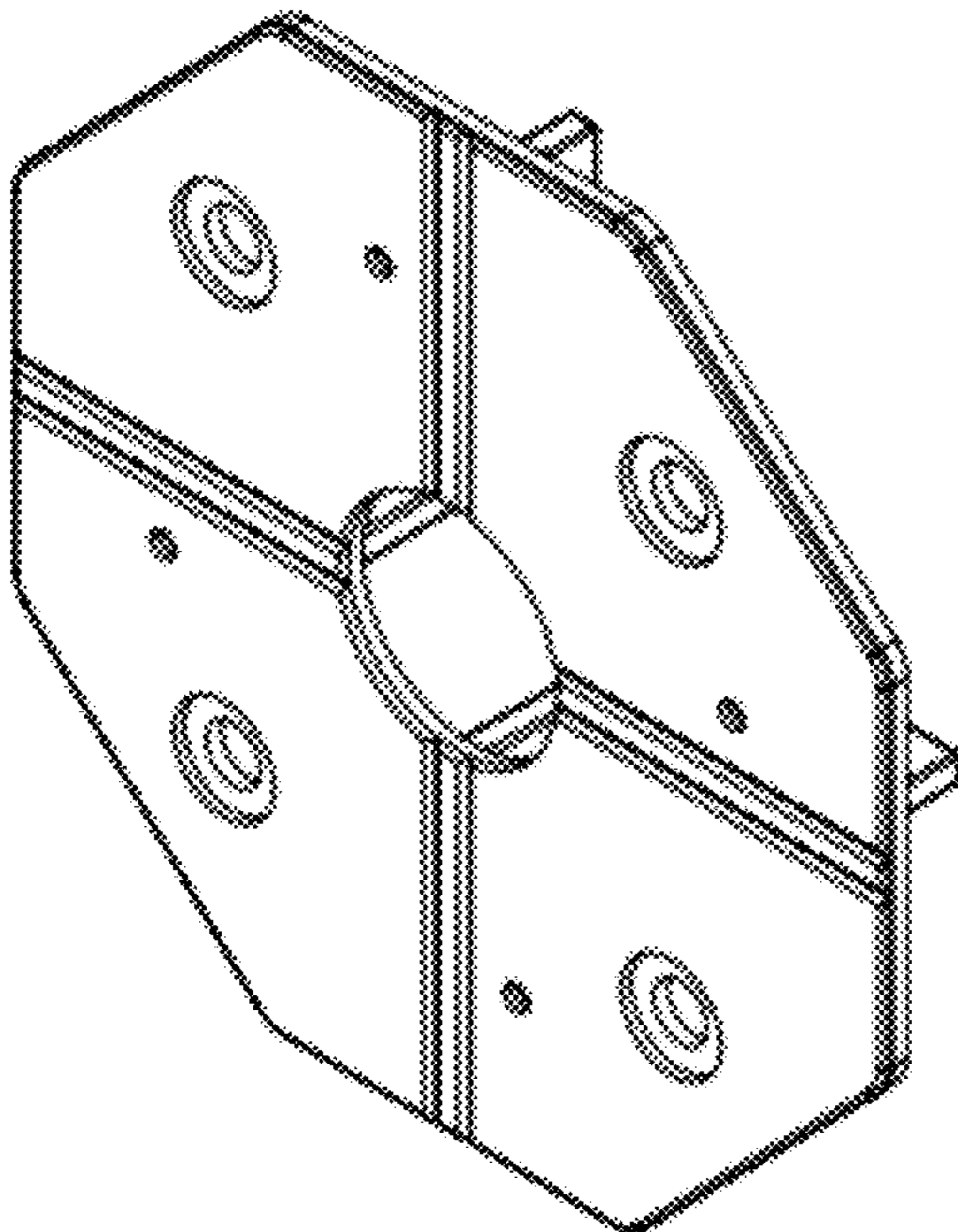
FIG. 2 is a side view with bottom side up thereof;

FIG. 3 is a top view thereof;

FIG. 4 is a perspective bottom view thereof; and,

FIG. 5 is a perspective top view thereof.

1 Claim, 3 Drawing Sheets



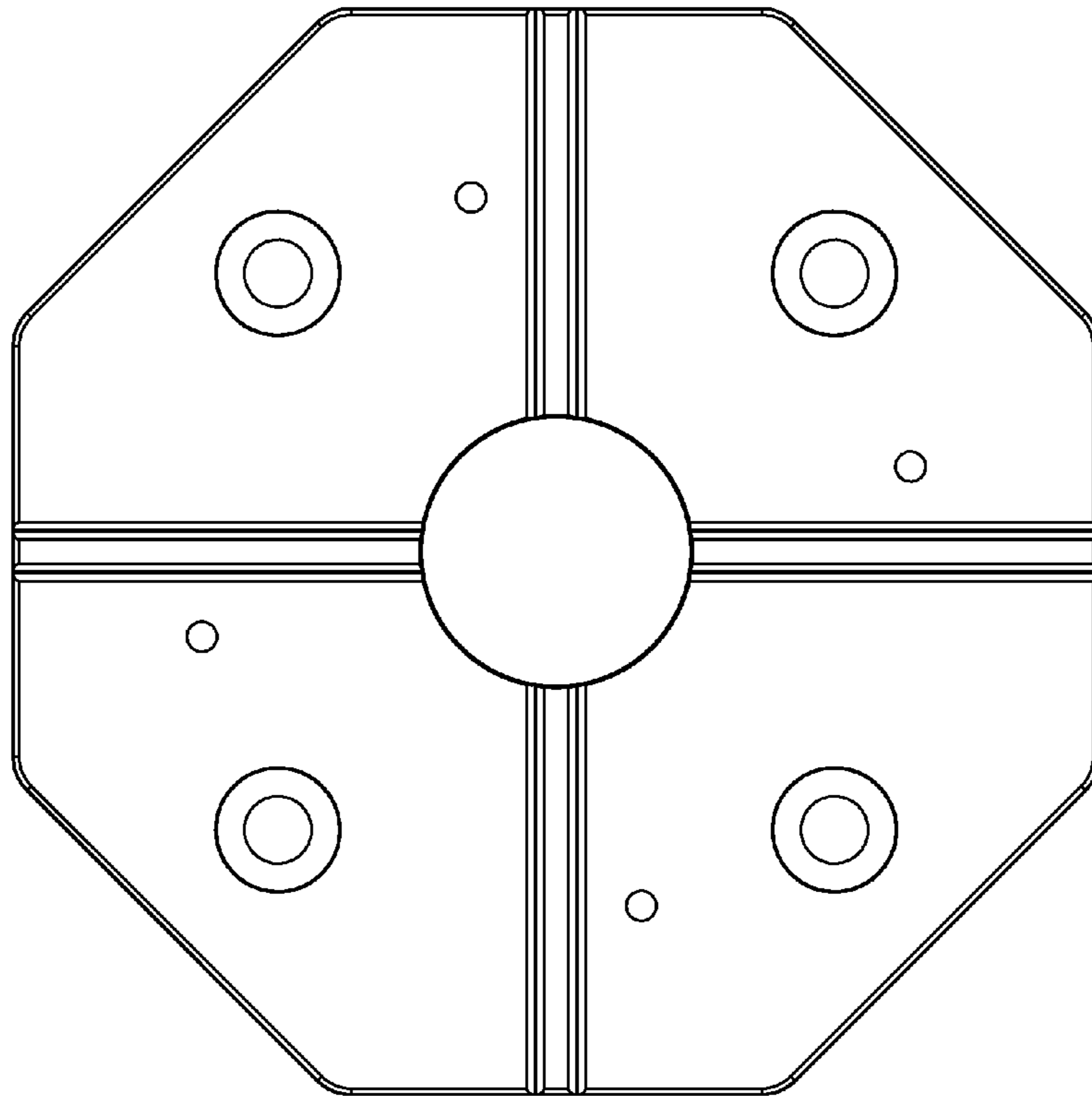


FIG. 1

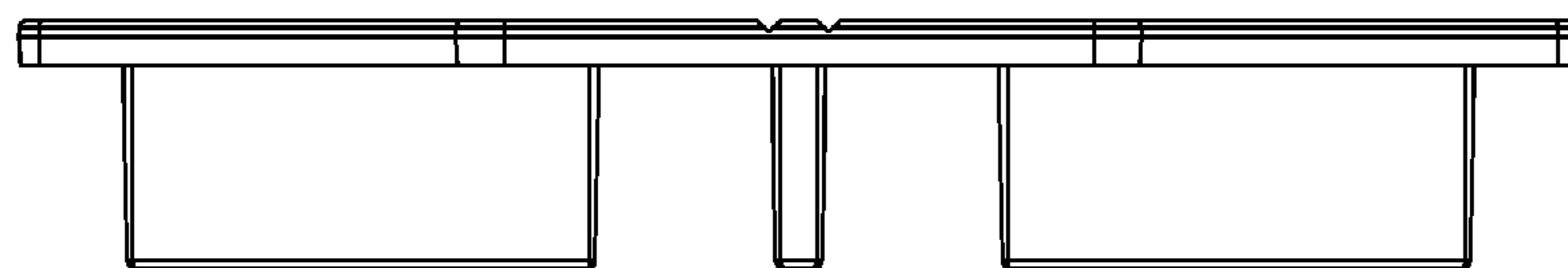


FIG. 2

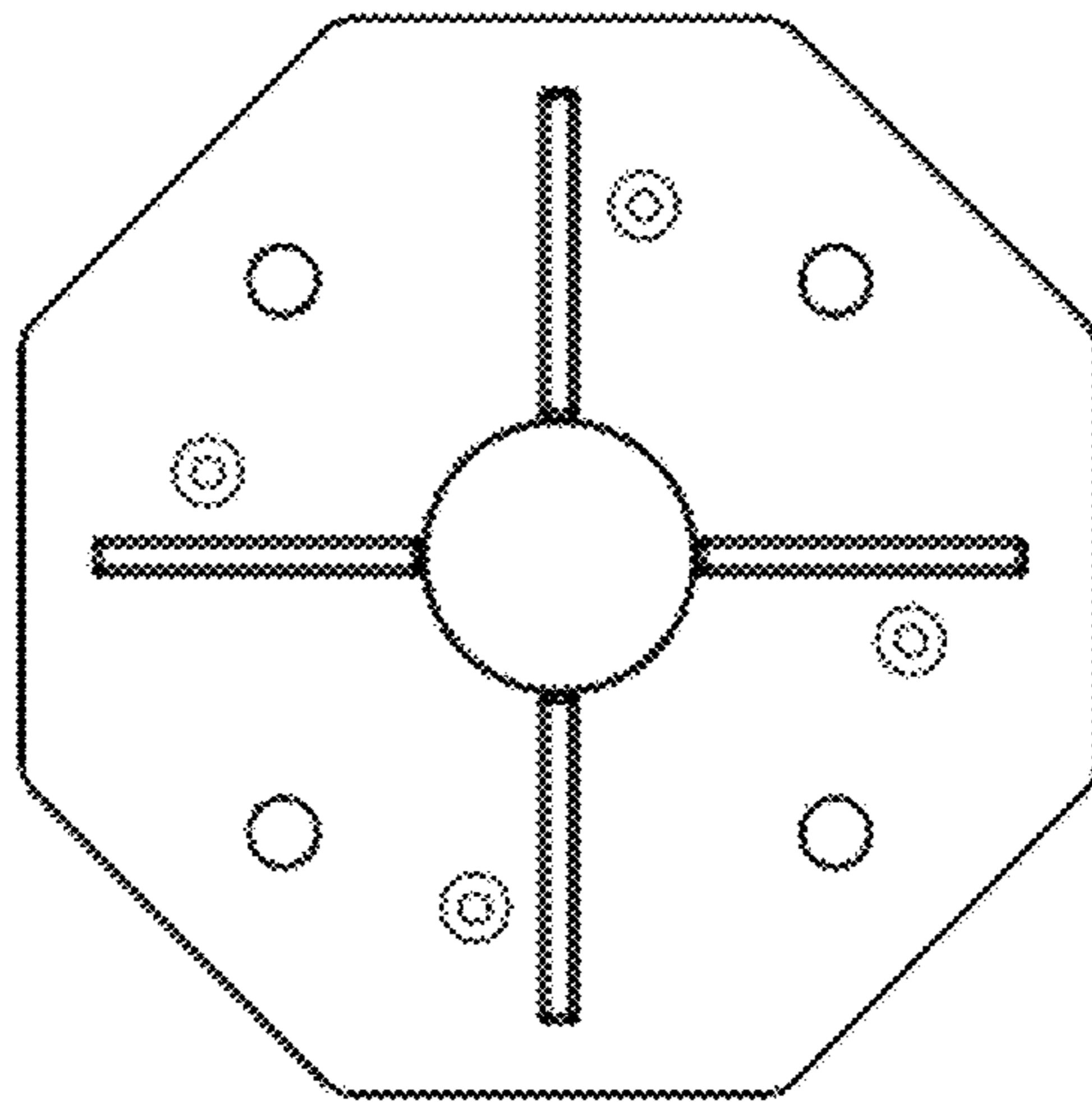


FIG. 3

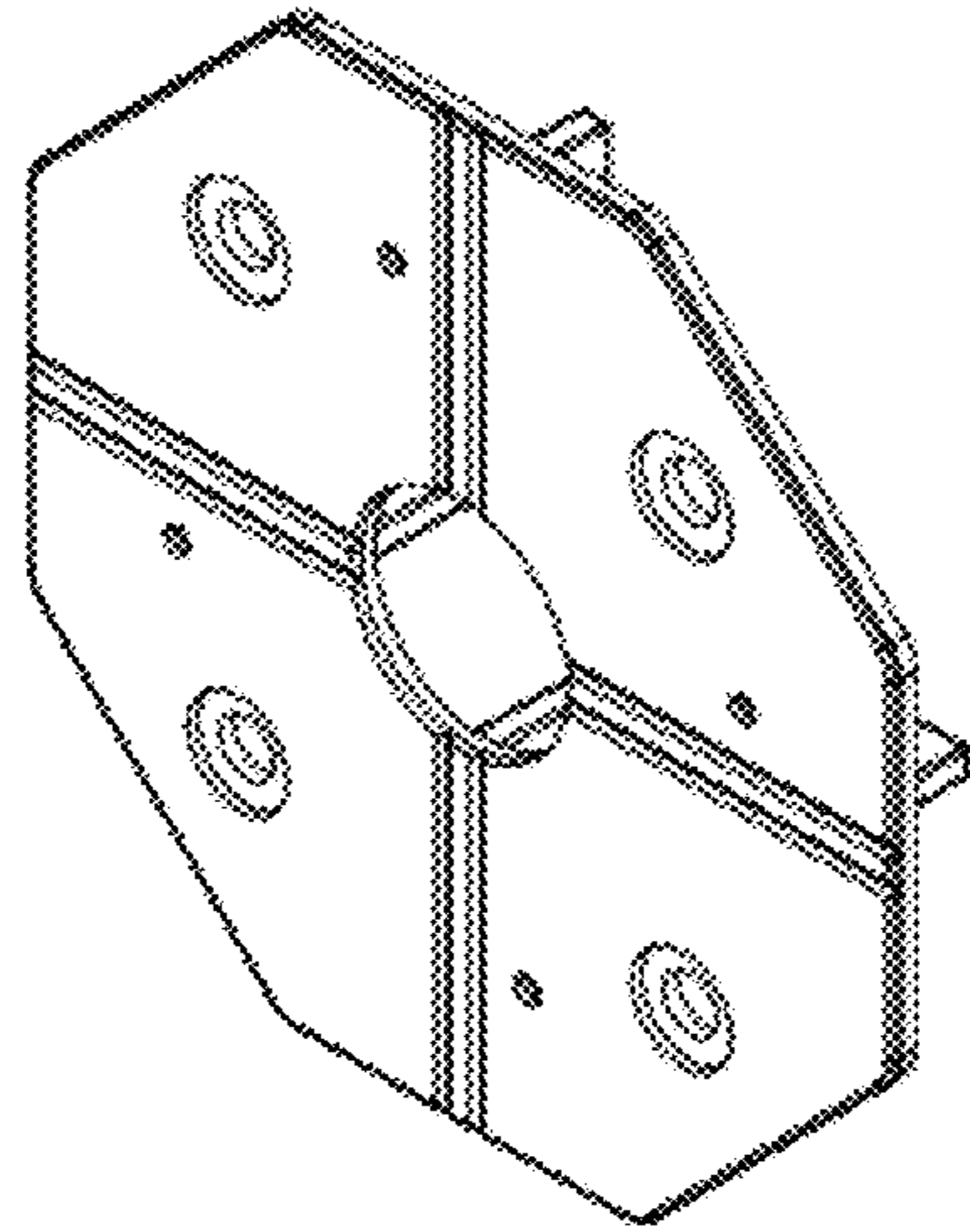


FIG. 4

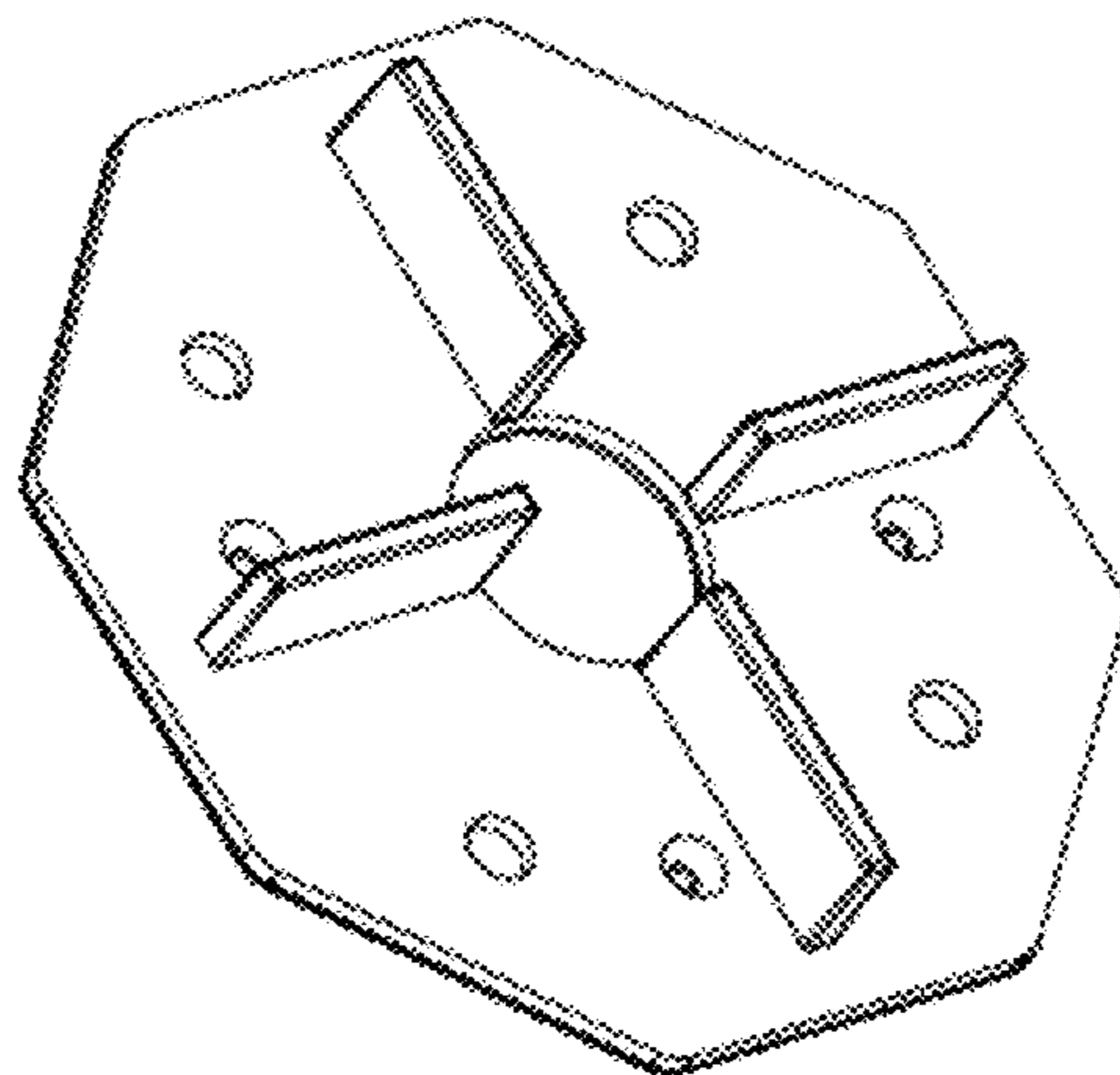


FIG. 5