

US00D665656S

(12) **United States Design Patent**
Anzelmo

(10) **Patent No.:** **US D665,656 S**

(45) **Date of Patent:** **** Aug. 21, 2012**

(54) **WALL-MOUNTED COUNTERTOP SUPPORT BRACKET**

(76) **Inventor:** **Thomas J. Anzelmo**, Schaumburg, IL (US)

(**) **Term:** **14 Years**

(21) **Appl. No.:** **29/388,491**

(22) **Filed:** **Mar. 29, 2011**

(51) **LOC (9) Cl.** **08-05**

(52) **U.S. Cl.** **D8/380**

(58) **Field of Classification Search** D8/349, D8/354, 380; 248/640, 674, 200, 200.1, 248/205.1, 207, 262, 266-267; 52/712-715
See application file for complete search history.

(56) **References Cited**

U.S. PATENT DOCUMENTS

3,041,033	A	6/1962	Schwartz	
3,198,470	A	8/1965	Owens	
3,858,837	A *	1/1975	Merritt	248/300
4,382,571	A	5/1983	Horen	
D368,647	S *	4/1996	Koebbe	D8/355
D511,086	S *	11/2005	Craine	D8/354

D521,852	S *	5/2006	Hall et al.	D8/354
D543,443	S *	5/2007	Nankervis	D8/380
D548,064	S *	8/2007	Norton	D8/380
D567,635	S *	4/2008	Nankervis	D8/354
7,360,627	B2	4/2008	Scott	
D598,734	S *	8/2009	Miranda et al.	D8/363

* cited by examiner

Primary Examiner — Holly Baynham

(74) *Attorney, Agent, or Firm* — Cook Alex Ltd.

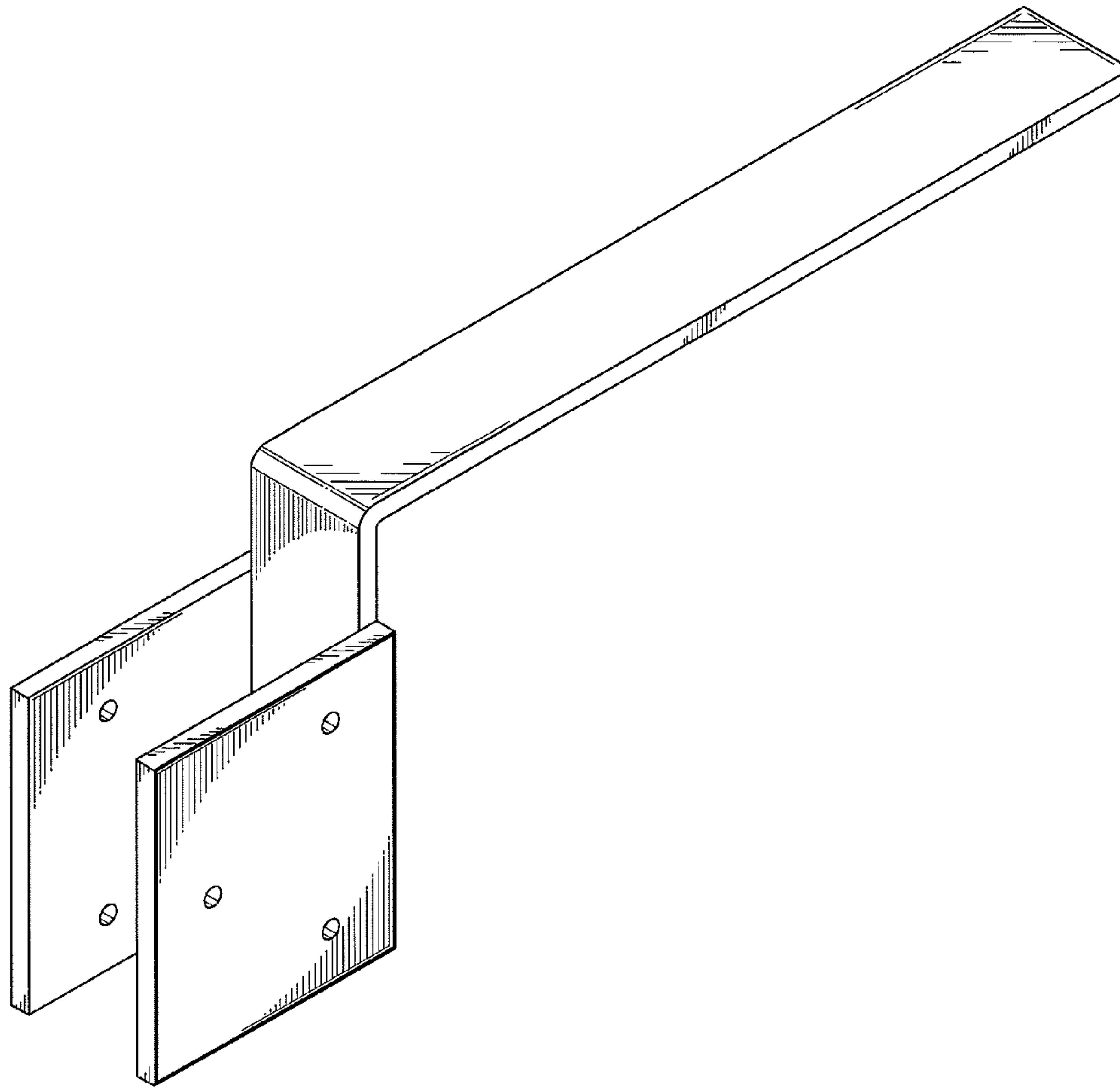
(57) **CLAIM**

The ornamental design for a wall-mounted countertop support bracket, as shown and described.

DESCRIPTION

FIG. 1 is a perspective view of a wall-mounted countertop support bracket according to the present invention. FIG. 2 is a left side elevation view thereof. FIG. 3 is a right side elevation view thereof. FIG. 4 is a front elevation view thereof. FIG. 5 is a rear elevation view thereof. FIG. 6 is a top plan view thereof; and, FIG. 7 is a bottom plan view thereof.

1 Claim, 3 Drawing Sheets



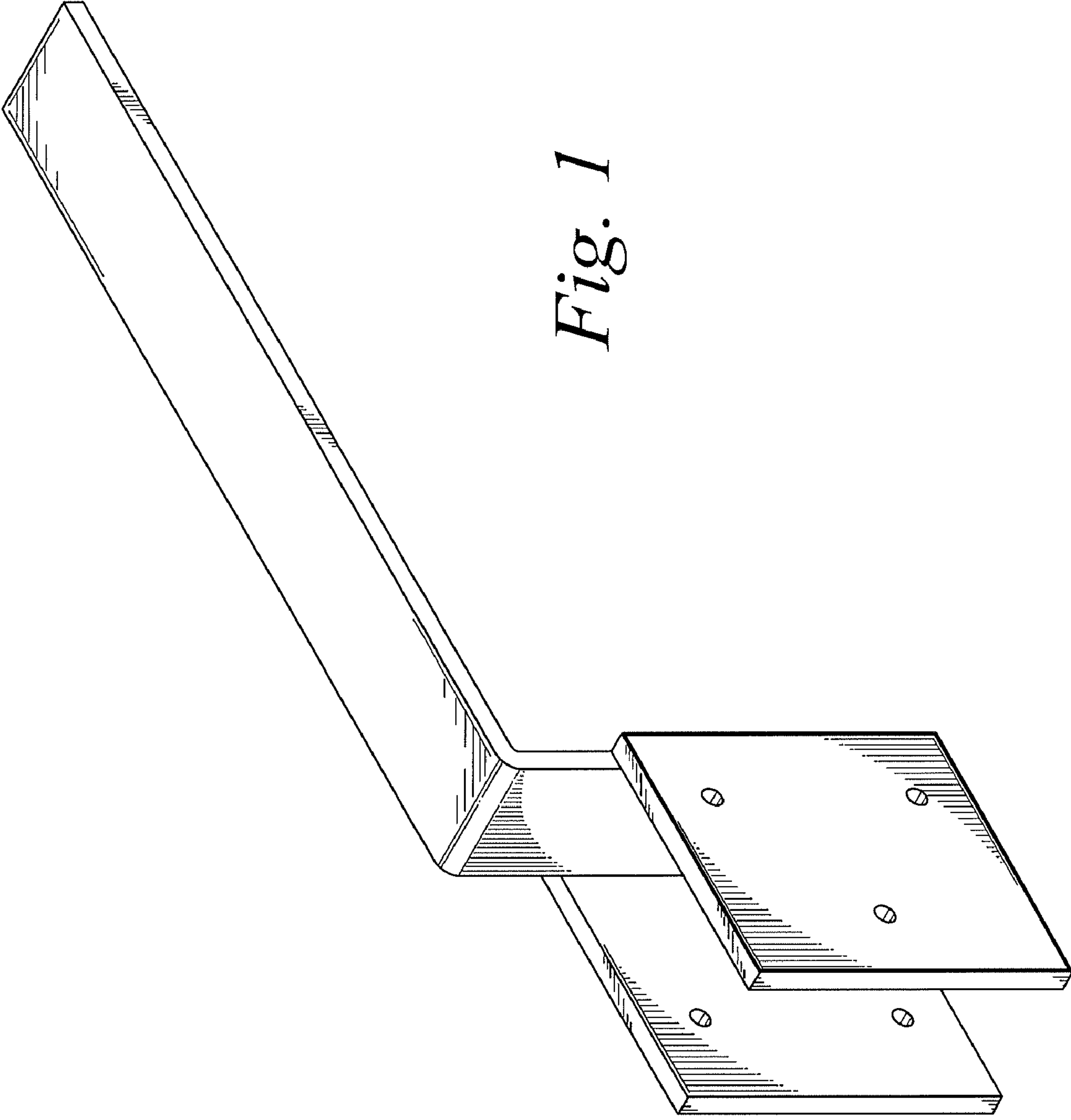
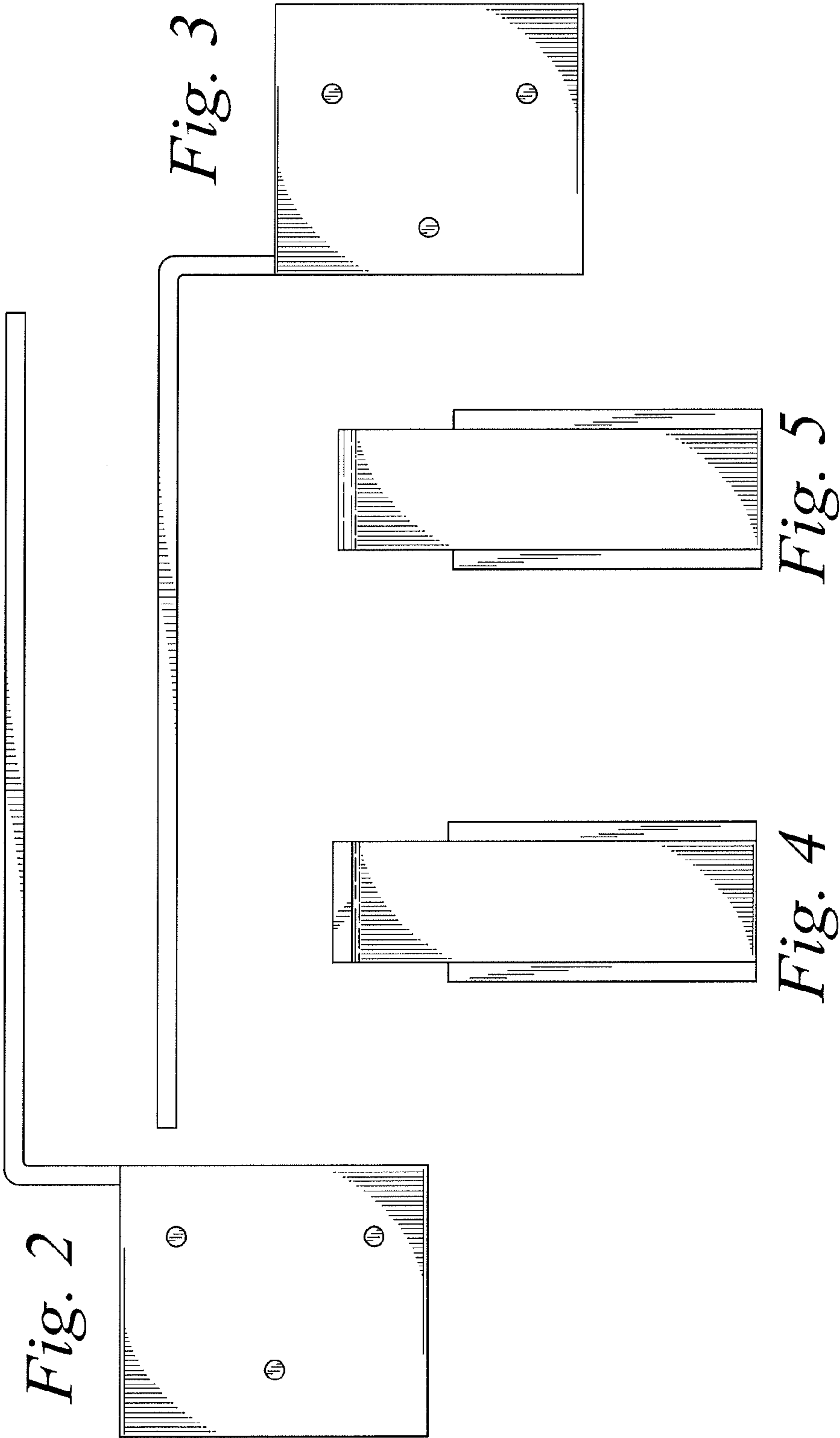


Fig. 1



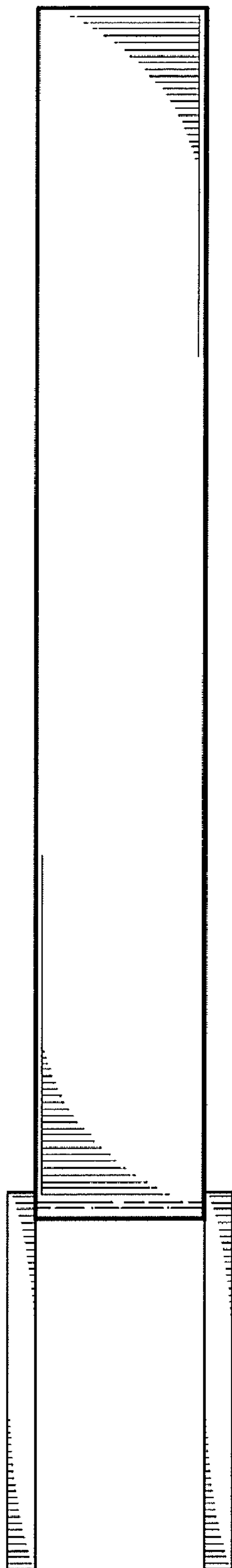


Fig. 6

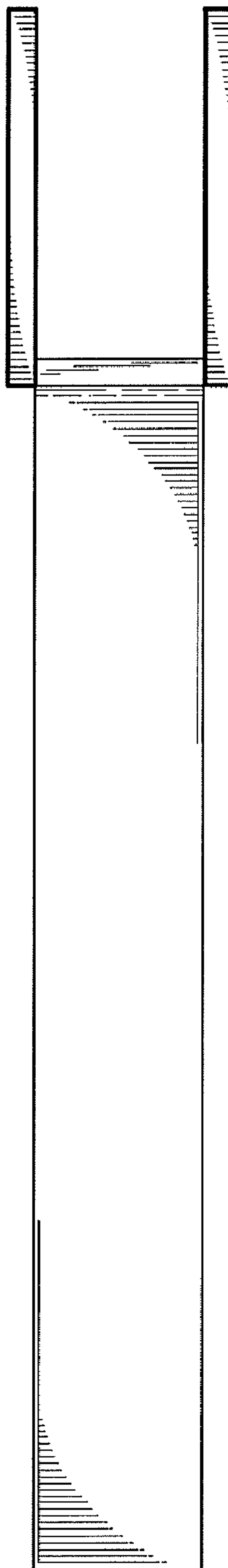


Fig. 7