



US00D665655S

(12) **United States Design Patent**
Ishii

(10) **Patent No.:** **US D665,655 S**

(45) **Date of Patent:** **** Aug. 21, 2012**

(54) **SWIVEL SNAP**

(75) Inventor: **Taiyo Ishii**, Tokyo (JP)

(73) Assignee: **Nifco Inc.**, Yokohama-Shi (JP)

(**) Term: **14 Years**

(21) Appl. No.: **29/418,168**

(22) Filed: **Apr. 12, 2012**

(30) **Foreign Application Priority Data**

Oct. 14, 2011 (JP) 2011-023575

(51) **LOC (9) Cl.** **08-05**

(52) **U.S. Cl.** **D8/367**

(58) **Field of Classification Search** D8/367,
D8/371, 373, 354-356, 349; D6/323; 248/215,
248/301, 339, 349.1; 160/349.1, 349.2; 24/265 H,
24/265 R, 599.1, 599.8, 113 R, 573.5; 294/82.18;
29/525.1, 45.3; D3/24; 223/106
See application file for complete search history.

(56) **References Cited**

U.S. PATENT DOCUMENTS

5,274,887 A * 1/1994 Fudaki 24/265 H
D355,585 S * 2/1995 Terada et al. D8/367
5,450,661 A * 9/1995 Rekuc 24/599.6

5,671,514 A * 9/1997 Matoba et al. 24/601.2
D402,189 S * 12/1998 Izumi D8/382
6,694,574 B1 * 2/2004 Sheng 24/265 H
D579,763 S * 11/2008 Uehara et al. D8/367
D583,654 S * 12/2008 Uehara D8/367
D649,018 S * 11/2011 Kope D8/367
D649,024 S * 11/2011 Takazakura D8/367
D659,518 S * 5/2012 Xu D8/356
2006/0179784 A1 * 8/2006 Chen 52/698

* cited by examiner

Primary Examiner — Cynthia Underwood

(74) *Attorney, Agent, or Firm* — Manabu Kanesaka

(57) **CLAIM**

The ornamental design for a swivel snap, as shown and described.

DESCRIPTION

FIG. 1 is a perspective view of a swivel snap showing my new design;

FIG. 2 is another perspective view thereof;

FIG. 3 is a front view thereof;

FIG. 4 is a rear view thereof;

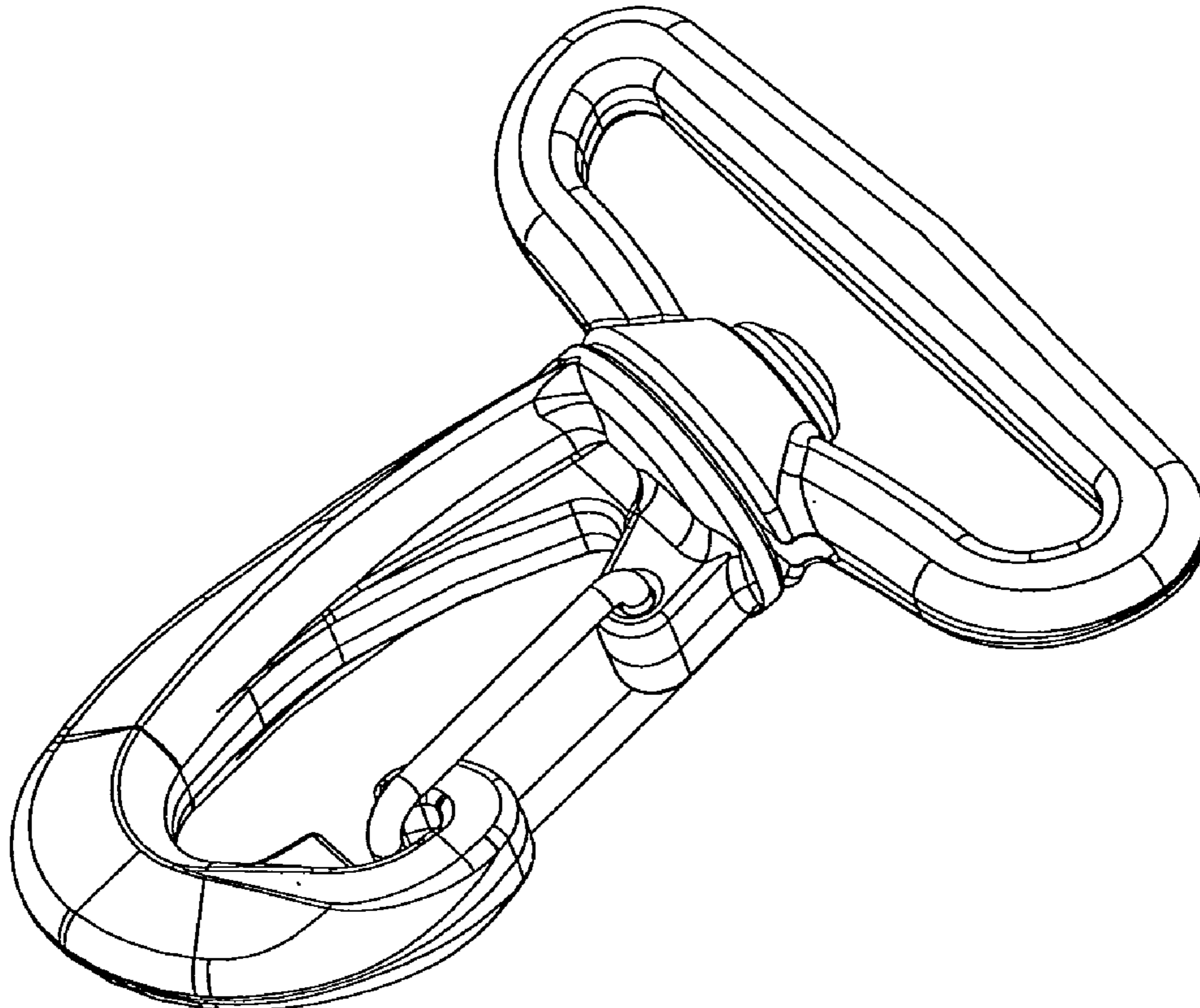
FIG. 5 is a right side view thereof;

FIG. 6 is a left side view thereof;

FIG. 7 is a plan view thereof; and,

FIG. 8 is a bottom view thereof.

1 Claim, 8 Drawing Sheets



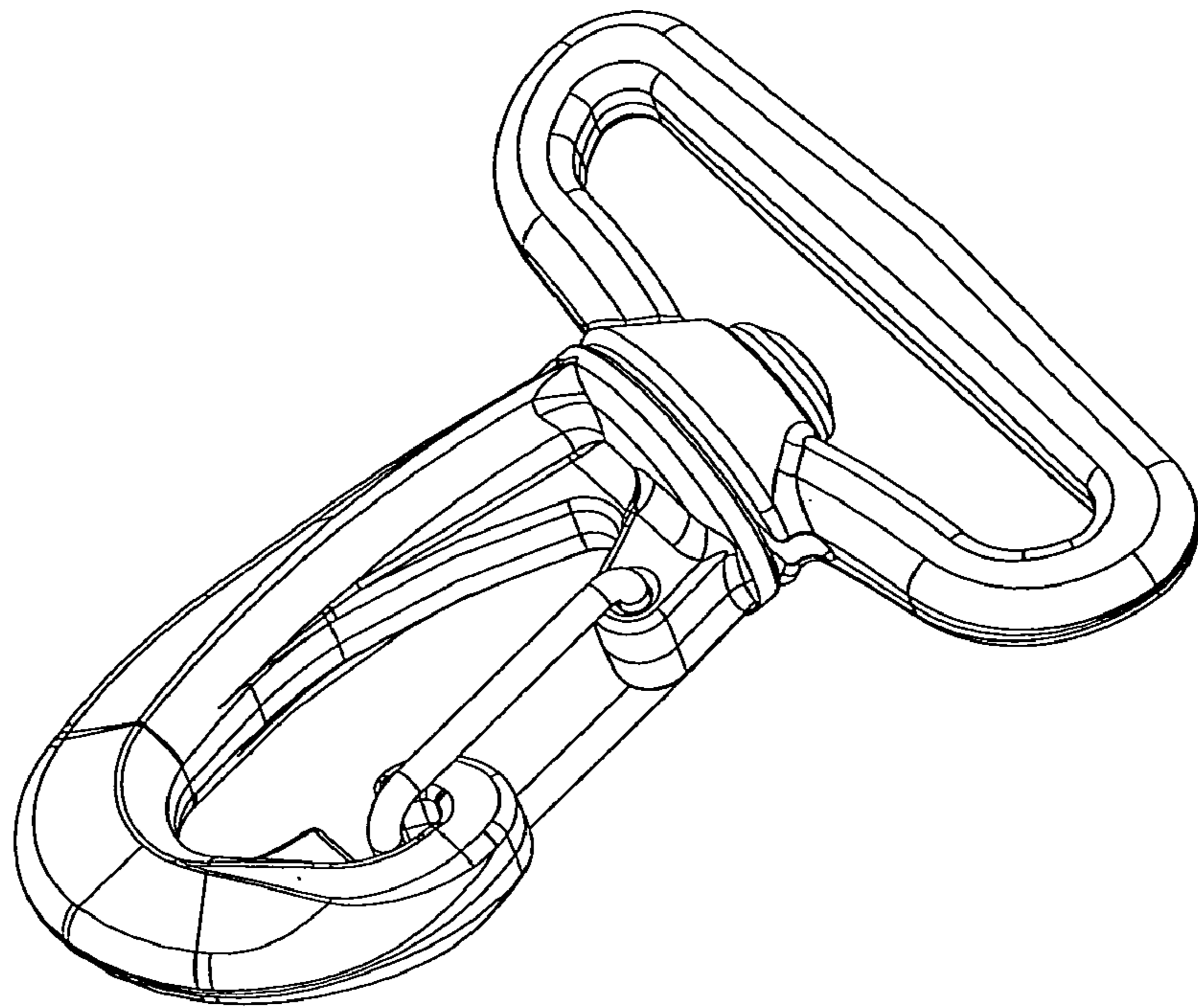


Fig. 1

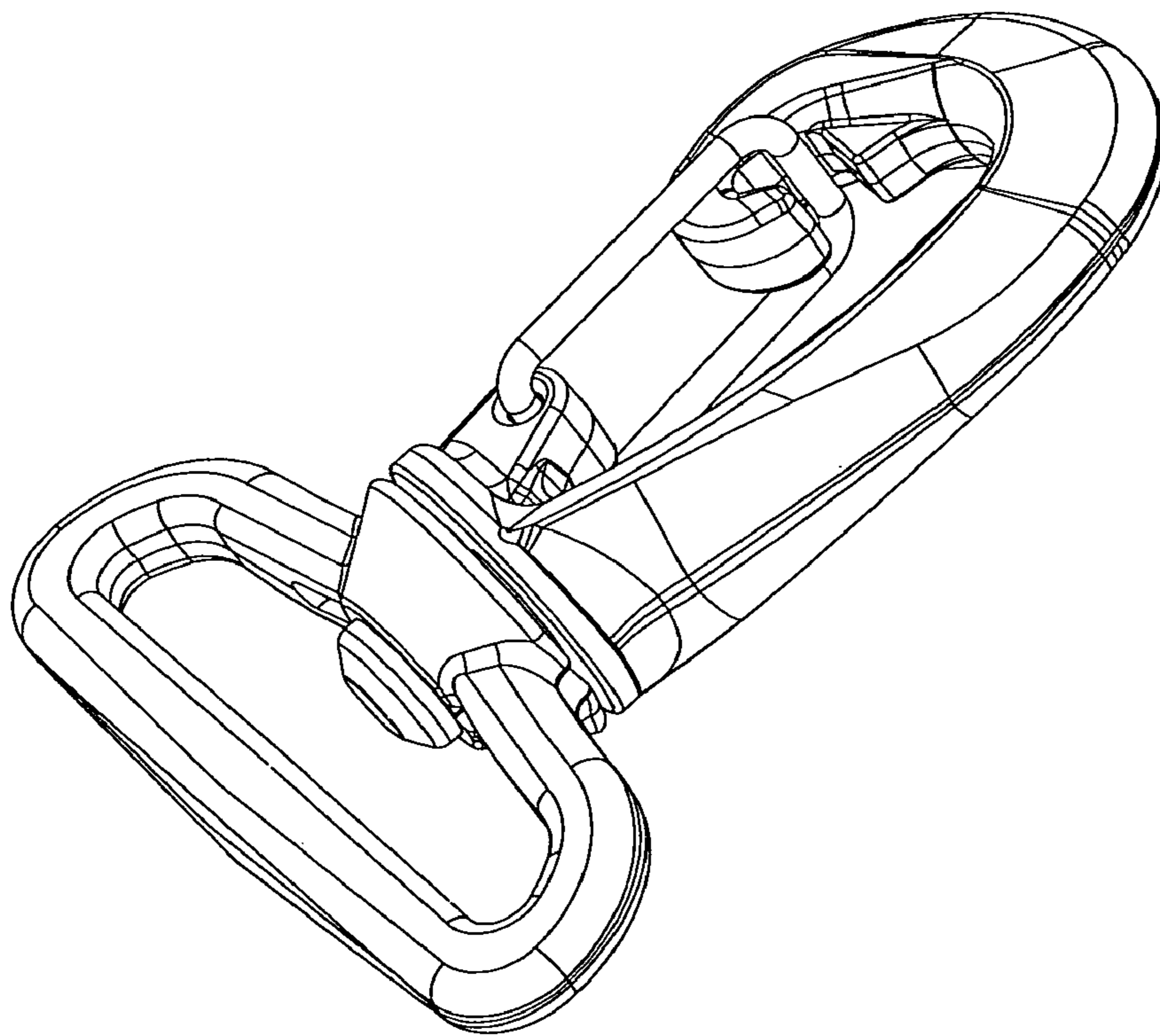


Fig. 2

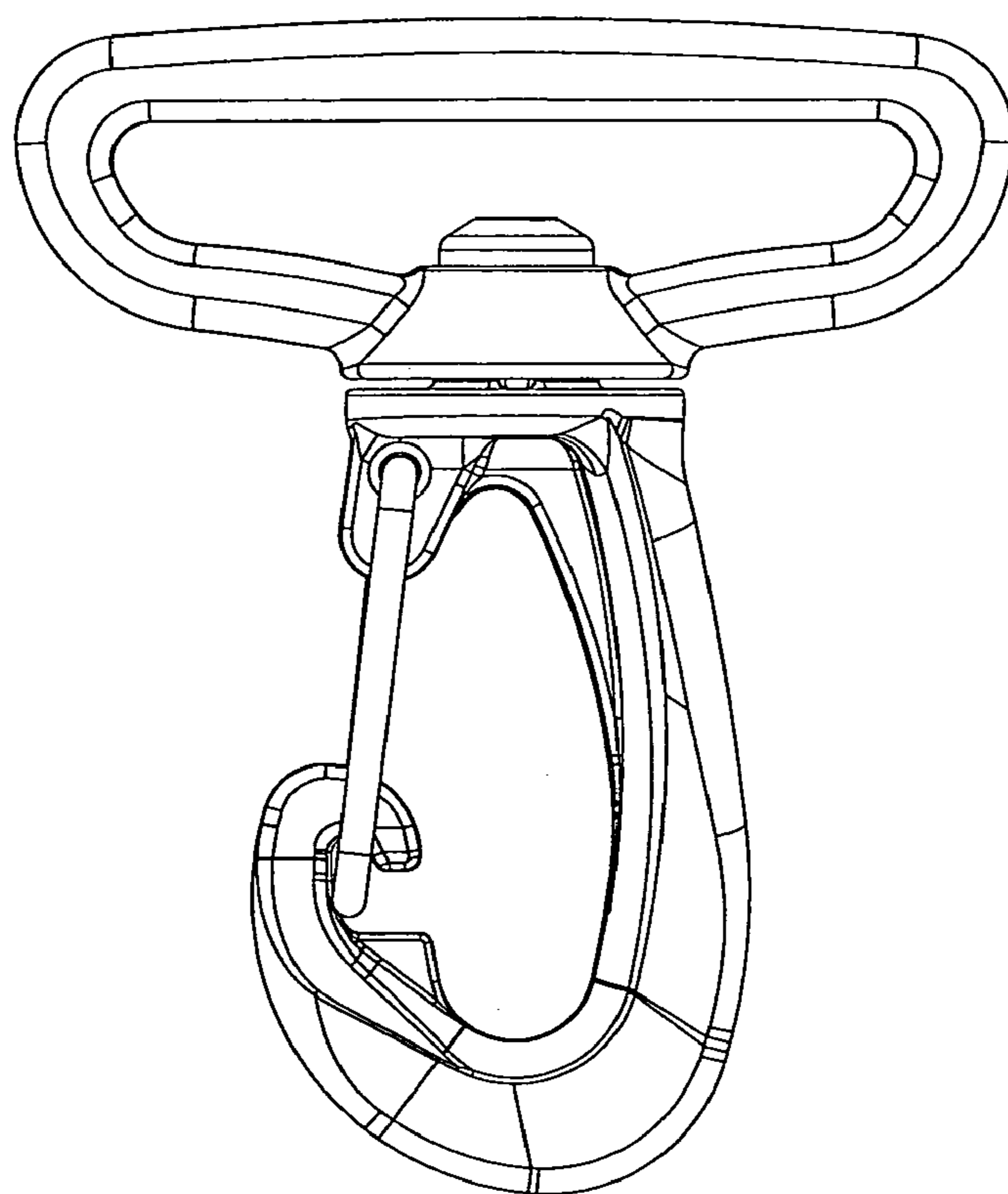


Fig. 3

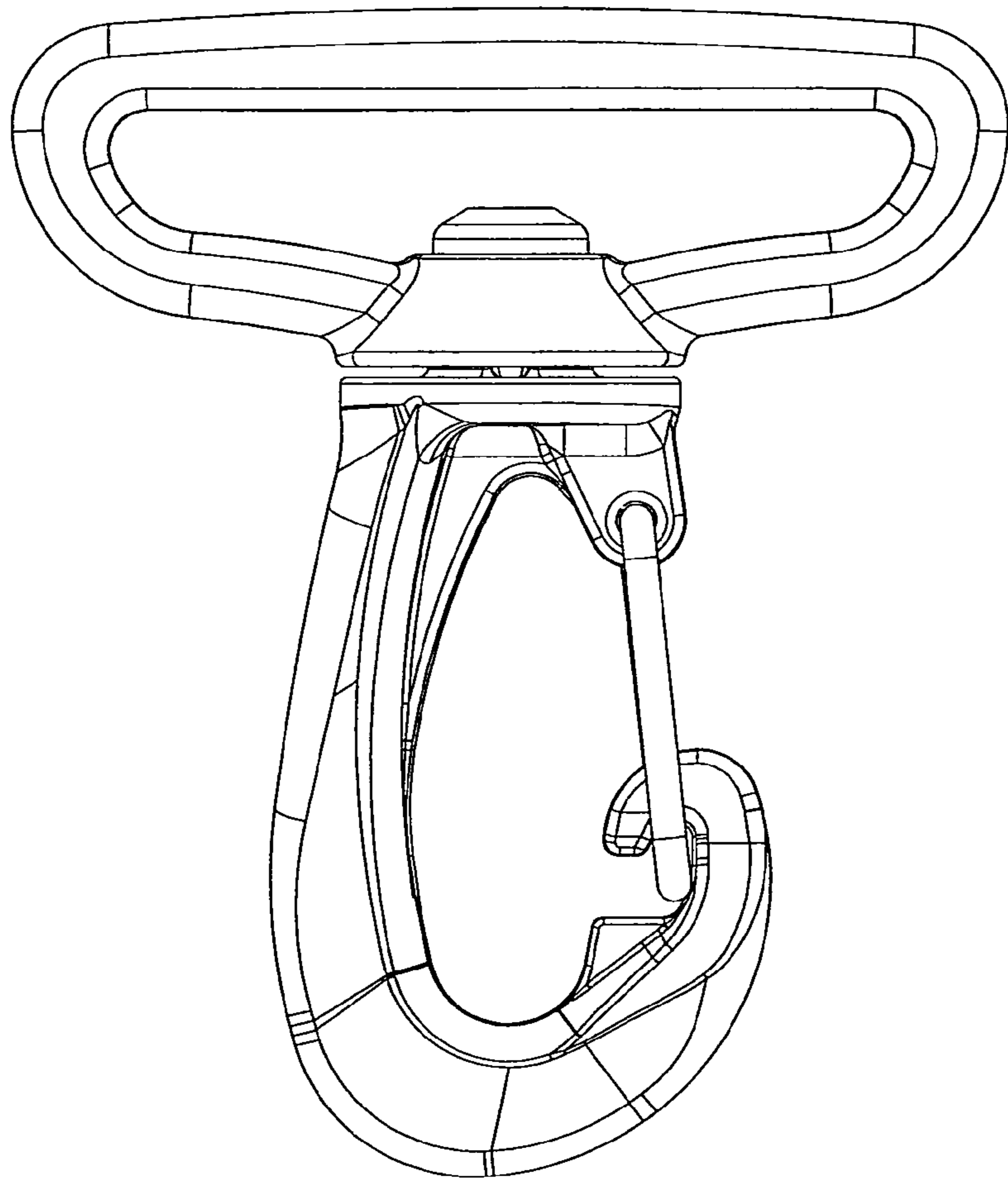


Fig. 4

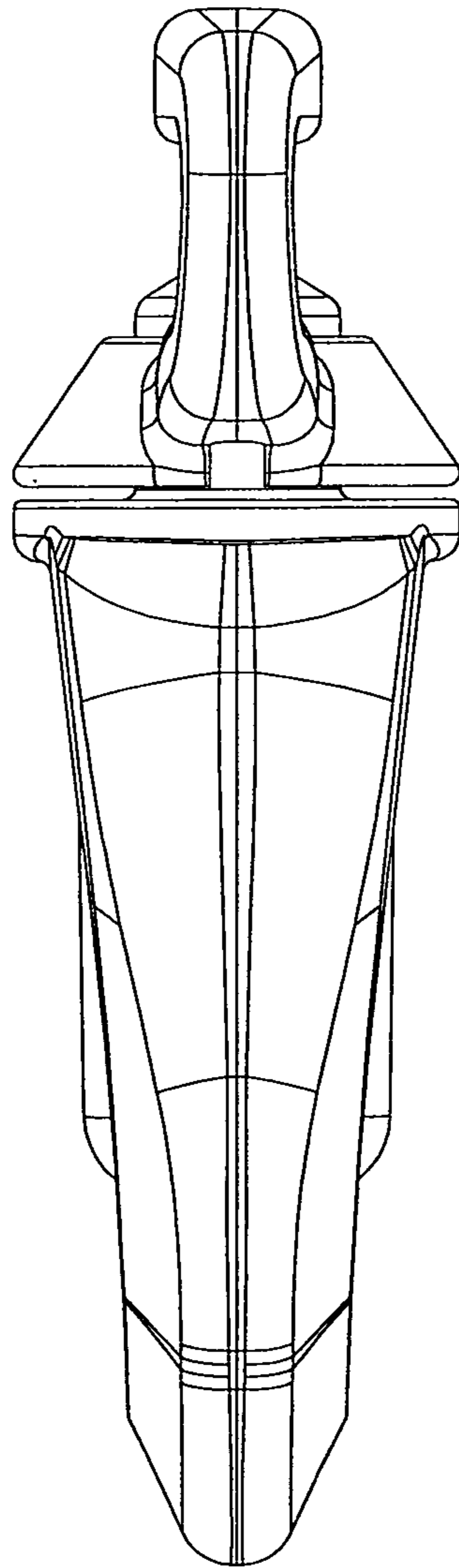


Fig. 5

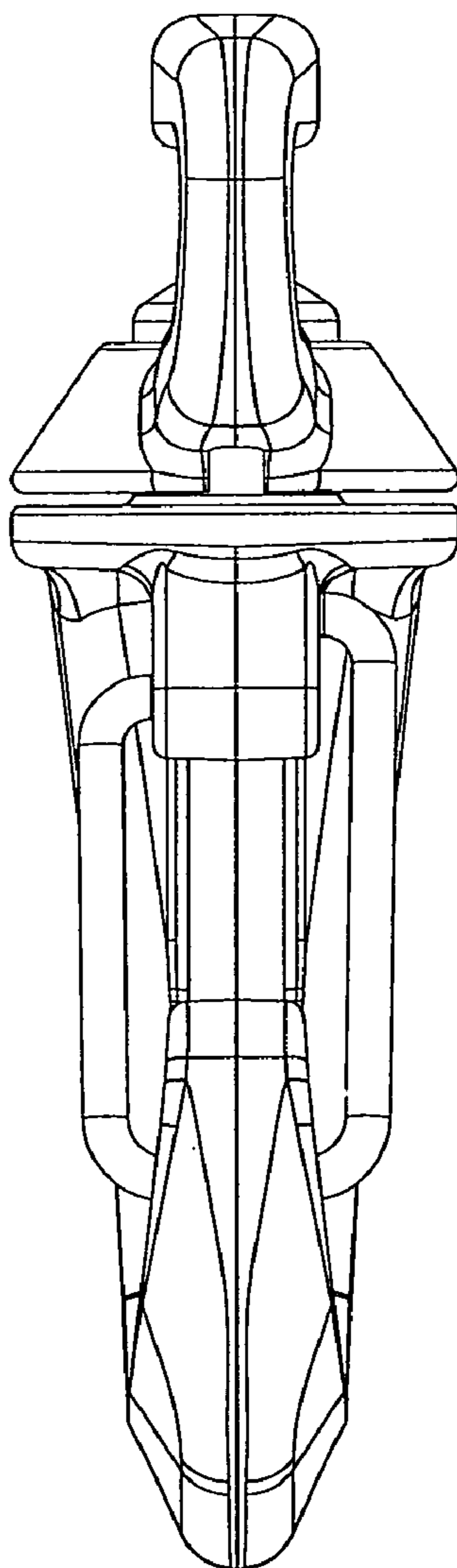


Fig. 6

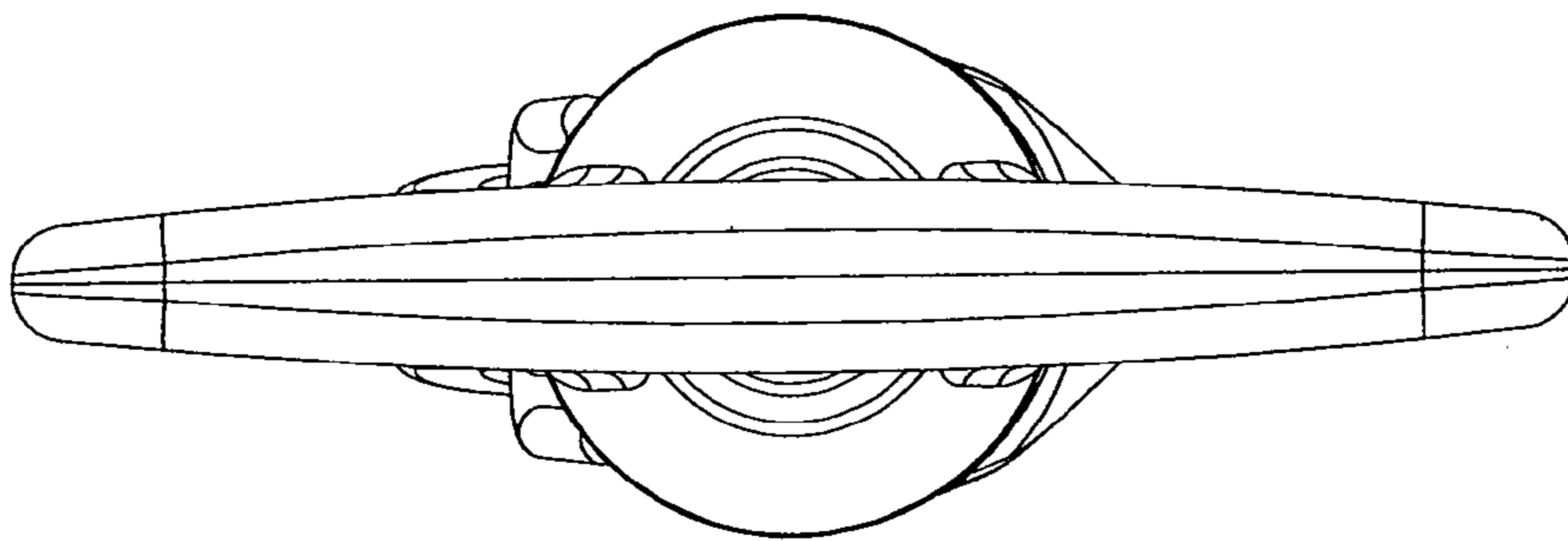


Fig. 7

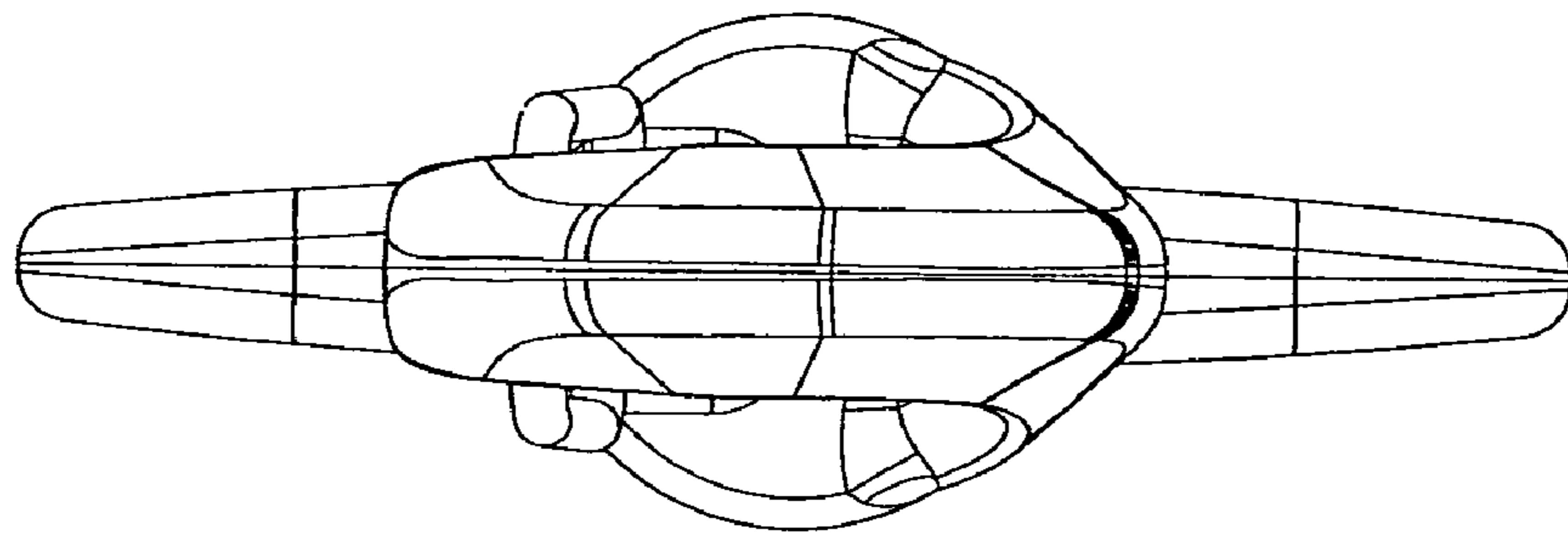


Fig. 8