

US00D665652S

(12) **United States Design Patent**
Gilpatrick et al.

(10) **Patent No.:** **US D665,652 S**

(45) **Date of Patent:** **** Aug. 21, 2012**

- (54) **GARDEN HOSE CONTAINER**
- (75) Inventors: **Richard J. Gilpatrick**, Whitewater, WI (US); **Dale S. DiIulio**, Saukville, WI (US); **Bart Mayer**, Fond du Lac, WI (US)
- (73) Assignee: **Briggs & Stratton Corporation**, Wauwatosa, WI (US)

- 3,748,678 A 7/1973 Ballou
- 4,084,281 A 4/1978 Smith
- 4,089,079 A 5/1978 Nicholson
- 4,135,860 A 1/1979 Van Nederkassel
- 4,207,640 A 6/1980 Sekula et al.
- 4,227,862 A 10/1980 Andrew et al.
- D260,134 S 8/1981 Bercu
- 4,373,444 A 2/1983 Cunnington
- 4,387,850 A 6/1983 Gerber
- 4,417,826 A 11/1983 Floros

(Continued)

(**) Term: **14 Years**

(21) Appl. No.: **29/364,439**

(22) Filed: **Jun. 23, 2010**

(51) **LOC (9) Cl.** **08-05**

(52) **U.S. Cl.** **D8/356**

(58) **Field of Classification Search** 190/19,
190/23, 24, 37, 40, 39; D8/356, 545; D3/306;
217/57, 122, 123-125, 56, 17, 5; 312/100;
137/355.28, 355.16; 47/65.5; D11/152;
248/89

See application file for complete search history.

(56) **References Cited**

U.S. PATENT DOCUMENTS

828,705 A	8/1906	Bode	
1,262,539 A	4/1918	Micka	
1,369,567 A	2/1921	Smith	
1,532,177 A *	4/1925	Gist	248/89
1,892,157 A *	12/1932	Maier	47/65.7
D103,599 S *	3/1937	Ruck	D7/565
2,678,457 A	1/1950	Demo et al.	
2,540,240 A	2/1951	Boyle	
2,700,847 A *	2/1955	Brasol	47/65.7
3,030,890 A	4/1962	Galik	
3,114,164 A	12/1963	Riordan	
3,283,352 A	11/1966	Hu	
D207,727 S *	5/1967	Benes	D7/560
3,383,044 A	5/1968	Norstrud et al.	

OTHER PUBLICATIONS

U.S. Appl. No. 12/787,282, filed May 25, 2010, Gilpatrick.

(Continued)

Primary Examiner — Cynthia Underwood

(74) *Attorney, Agent, or Firm* — Foley & Lardner LLP

(57) **CLAIM**

We claim the ornamental design for a garden hose container, as shown and described.

DESCRIPTION

FIG. 1 is a front perspective view from above of the claimed design;

FIG. 2 is a rear perspective view from above of the claimed design of FIG. 1;

FIG. 3 is a front view of the claimed design of FIG. 1;

FIG. 4 is a rear view of the claimed design of FIG. 1;

FIG. 5 is a left side view of the claimed design of FIG. 1;

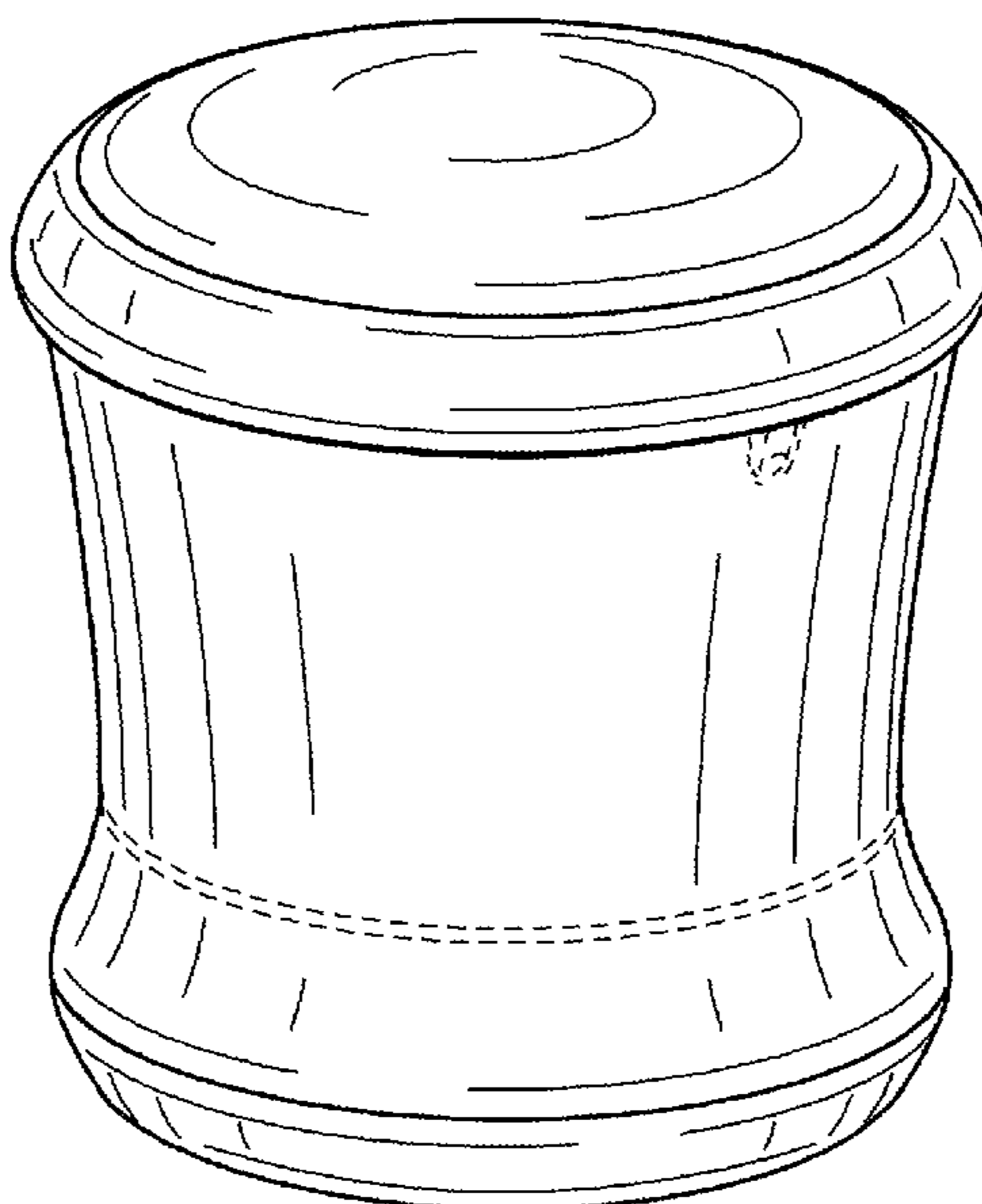
FIG. 6 is a right side view of the claimed design of FIG. 1;

FIG. 7 is a top view of the claimed design of FIG. 1; and,

FIG. 8 is a bottom view of the claimed design of FIG. 1.

Any broken lines in the drawings are for illustrative purposes only and form no part of the claimed design.

1 Claim, 4 Drawing Sheets



US D665,652 S

Page 2

U.S. PATENT DOCUMENTS

4,461,052	A	7/1984	Mostul	
4,481,733	A *	11/1984	Jacobs	47/71
4,507,053	A	3/1985	Frizzell	
4,513,466	A	4/1985	Keddie et al.	
4,532,666	A	8/1985	Smyth	
4,763,373	A	8/1988	Sanchez	
4,856,133	A	8/1989	Sanchez	
5,007,127	A	4/1991	Paolo	
5,011,034	A	4/1991	Abel	
5,129,121	A	7/1992	Gelman	
D330,322	S	10/1992	Wilson	
D351,968	S *	11/1994	Zivin	D7/564
5,395,052	A	3/1995	Schneider et al.	
5,421,520	A	6/1995	Simonette et al.	
5,529,460	A	6/1996	Eihusen et al.	
5,560,391	A	10/1996	Bantaculo	
5,568,824	A	10/1996	Cordrey	
5,619,766	A	4/1997	Zhadanov et al.	
5,649,334	A	7/1997	Henriquez et al.	
5,678,596	A	10/1997	Carallo	
5,741,124	A	4/1998	Mazzucato et al.	
5,911,256	A	6/1999	Tsai	
5,913,982	A	6/1999	Phillips	
5,988,207	A	11/1999	Kownacki et al.	
6,021,539	A	2/2000	Zhadanov et al.	
6,050,291	A	4/2000	Whitehead et al.	
D432,002	S	10/2000	Anderson et al.	
D433,544	S *	11/2000	Nesbit-Yontz	D30/161
D435,405	S	12/2000	Clark, Jr.	
6,164,496	A	12/2000	Gregory	
6,189,811	B1	2/2001	Rudy	
6,571,805	B2	6/2003	Hoenisch et al.	
6,687,924	B2	2/2004	Wright et al.	
6,688,855	B2	2/2004	Becdkerman	
6,807,982	B1	10/2004	Ames	
6,915,541	B2	7/2005	Alexander	
D516,815	S *	3/2006	Peller et al.	D3/306
7,080,953	B2	7/2006	DeLaine, Jr.	
7,083,120	B2	8/2006	Gilpatrick et al.	
7,217,053	B2	5/2007	Alexander et al.	
7,222,644	B2	5/2007	Pianetto et al.	
7,252,193	B1	8/2007	Lewis et al.	
7,281,903	B2	10/2007	Reverberi et al.	
7,316,368	B2	1/2008	Moon et al.	
D561,010	S	2/2008	Anderson et al.	
D580,621	S	11/2008	Anderson et al.	
D582,757	S	12/2008	Anderson et al.	
D584,938	S	1/2009	Steele	
7,472,842	B2	1/2009	Gilpatrick et al.	

D636,703	S *	4/2011	White	D11/152
D644,917	S *	9/2011	Lee	D8/356
2005/0161538	A1	7/2005	Cattaneo et al.	
2005/0164554	A1	7/2005	Cattaneo et al.	
2007/0009026	A1	1/2007	Kwon et al.	
2007/0113368	A1	5/2007	Alexander	
2007/0114319	A1	5/2007	Anderson et al.	
2007/0125878	A1	6/2007	Hahn et al.	
2008/0014096	A1	1/2008	Gilpatrick	
2008/0083077	A1	4/2008	Alexander et al.	
2008/0295894	A1	12/2008	Uffner et al.	
2008/0300727	A1	12/2008	Zarowny et al.	
2009/0071546	A1	3/2009	Lawrence	

OTHER PUBLICATIONS

U.S. Appl. No. 12/411,139, filed Mar. 25, 2009, Gilpatrick.

Energy Tips—Pumping Systems, Pumping Systems Tip Sheet #12, Control Strategies for Centrifugal Pumps with Variable Flow Rate Requirements, U.S. Department of Energy, dated May 2007, 2 pages.

Garden Hose Centrifugal Pump I BIC Superstore, Flint Walling/Star HPP360 Garden Hose Centrifugal Pump, printed on Jan. 6, 2009, from Internet address: <http://www.bicsuperstore.com/Garden-Hose-Centrifugal-Pump/M/B000DZKZ02.htm>, 3 pages.

Gauges, Water Pumps, and Flow Meters from Premium Water Filters, Premium Water Filters, printed on Jan. 6, 2009, from Internet address: <http://www.premium-water-filters.com/gauges-pumps.htm>, 12 pages.

Garden Hose Comfort Grip Nozzle 7 Pattern #594 by Gilmour Manufacturing at HardwareandTools.com, Garden Hose Nozzles Zinc “Select-A-Spray”, printed on Jan. 6, 2009, from Internet address: <http://www.hardwareandtools.com/invt/3774379>, 4 pages.

Images from Internet search, May 24, 2010, Believed to be commercially available by May 21, 2010, 1 page.

Images from Living Accents Hose Container, <http://www.acehardware.com/product/index>, May 24, 2010, 1 page.

Images from Wicker Hose Bowl, <http://www.gardeners.com/wicker-hose-bowl>, May 24, 2010, 1 page.

Images from Amazon: CobraCo HHCIRN-S Cooper Cylinder Hose Holder, <http://www.amazon.com/CobraCo-HHCIRN-S-SpCopper-Cylinder>, 1 page.

Images from Internet search, May 24, 2010, Believed to be commercially available by May 21, 2010 http://www2.yardiac.com/show_category.asp?tgs=36639374:31119355&cart_id=&category=2334 and http://www2.yardiac.com/show_category.asp?tgs=36639374:31119355&cart_id=&category=3365, 1 page.

* cited by examiner

FIG. 1

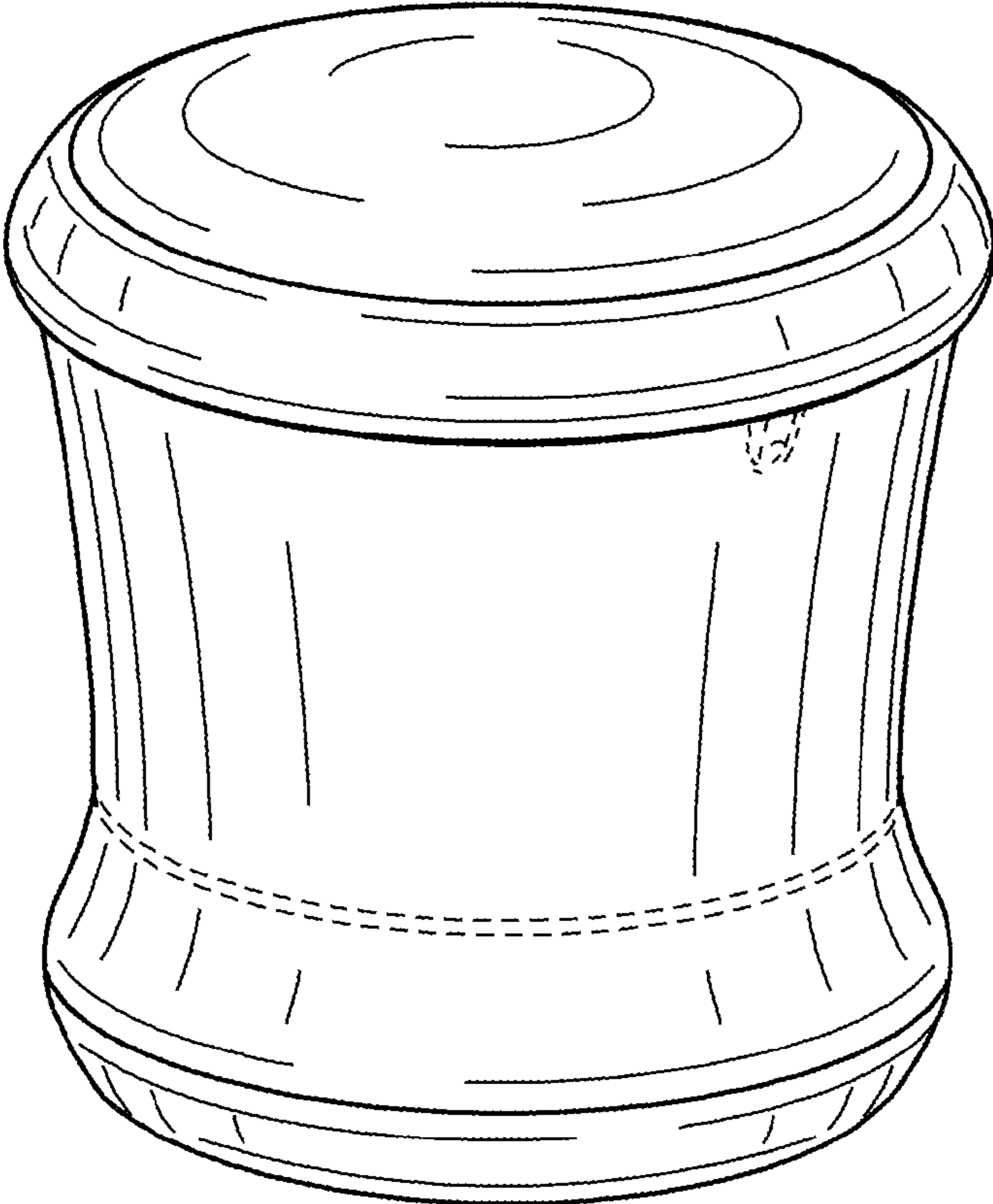


FIG. 2

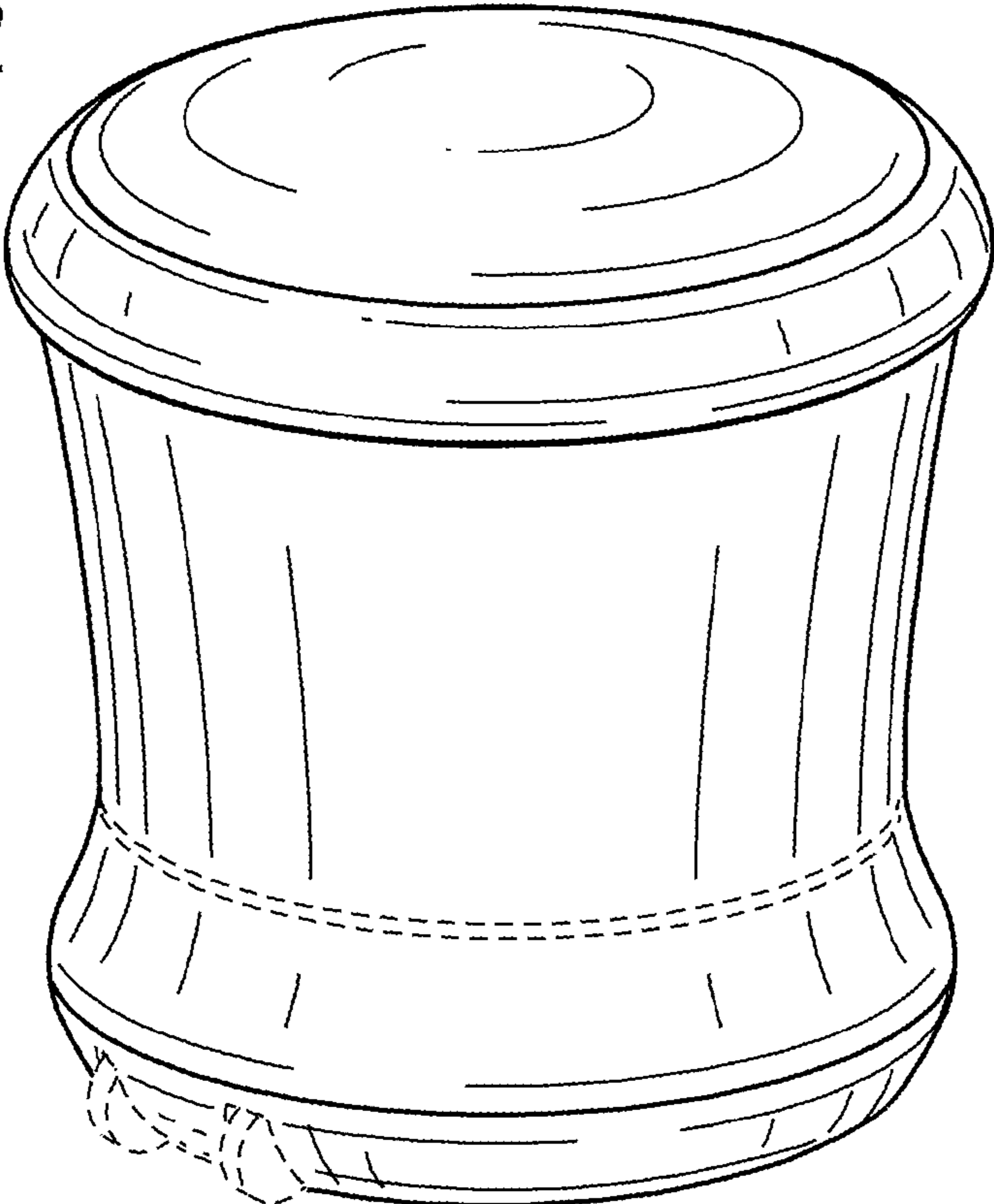


FIG. 3

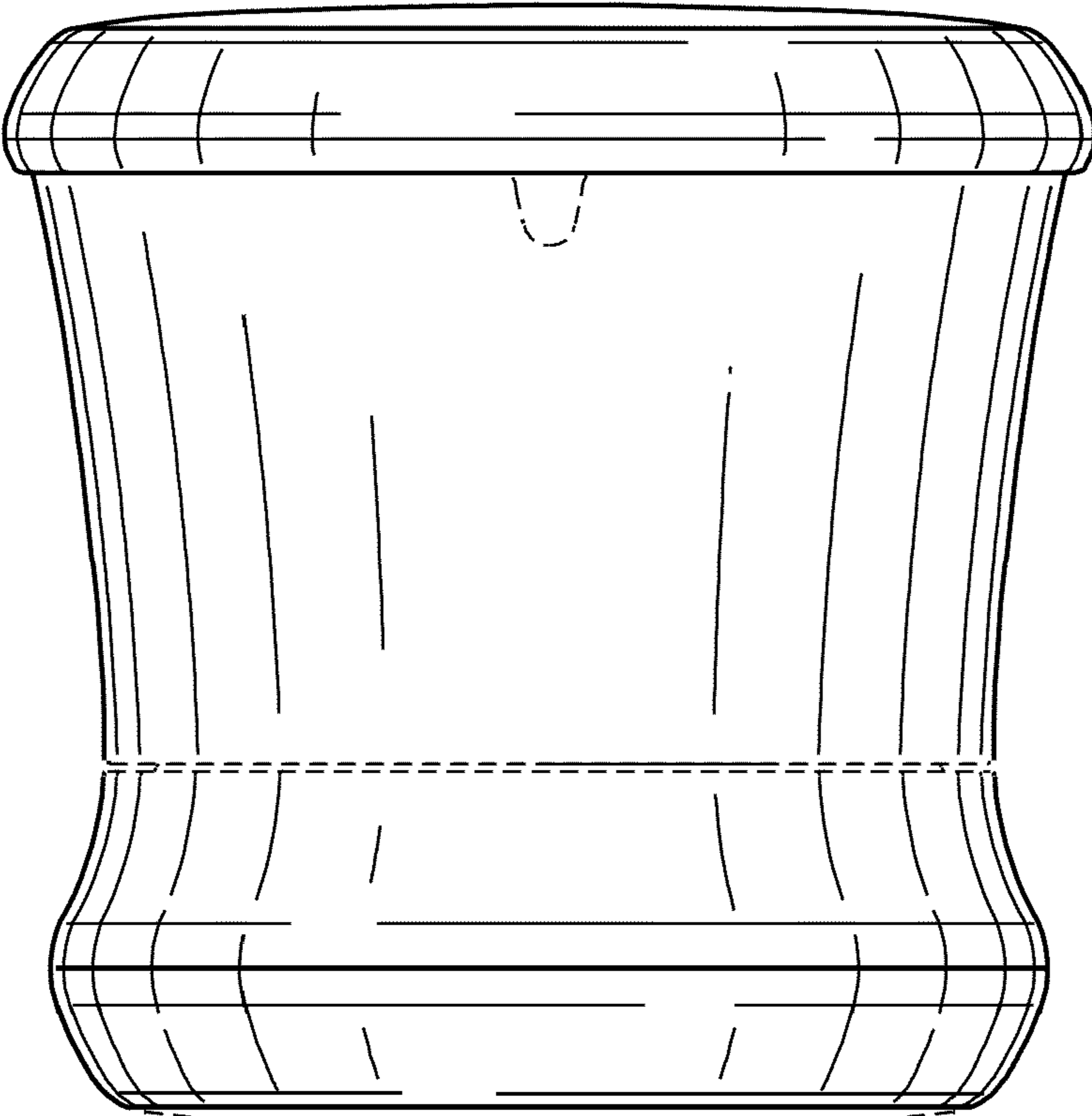


FIG. 4

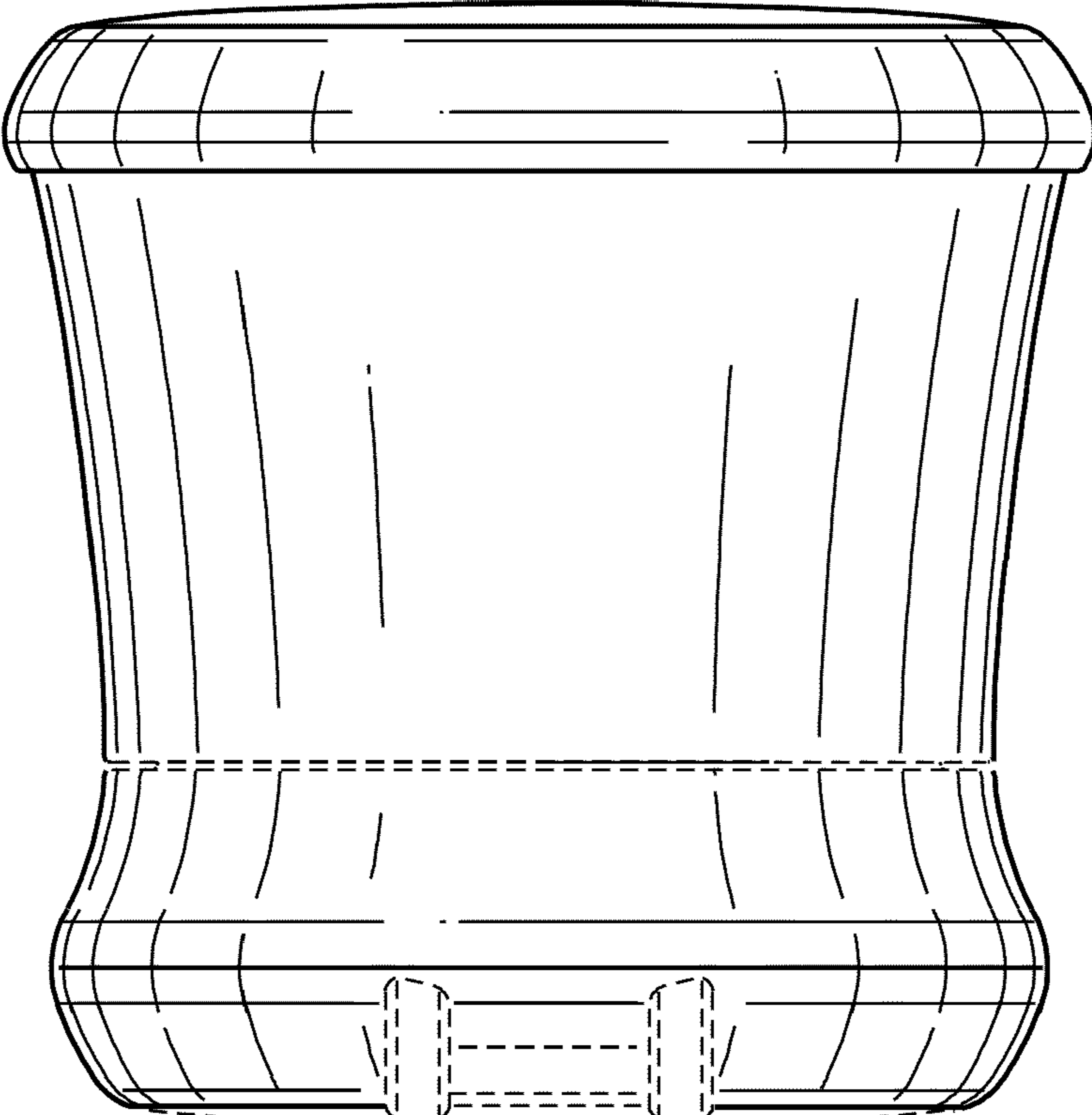


FIG. 5

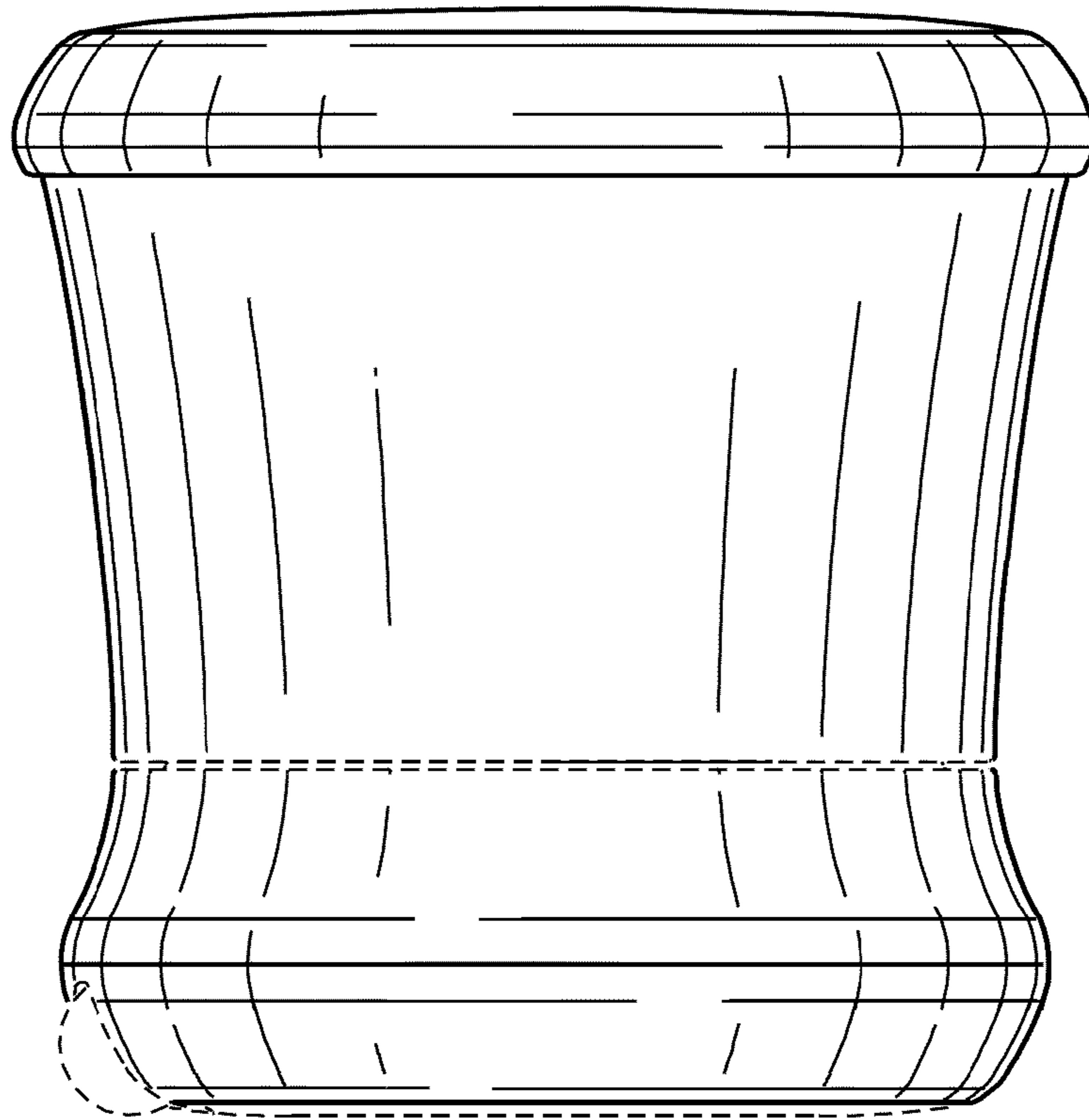


FIG. 6

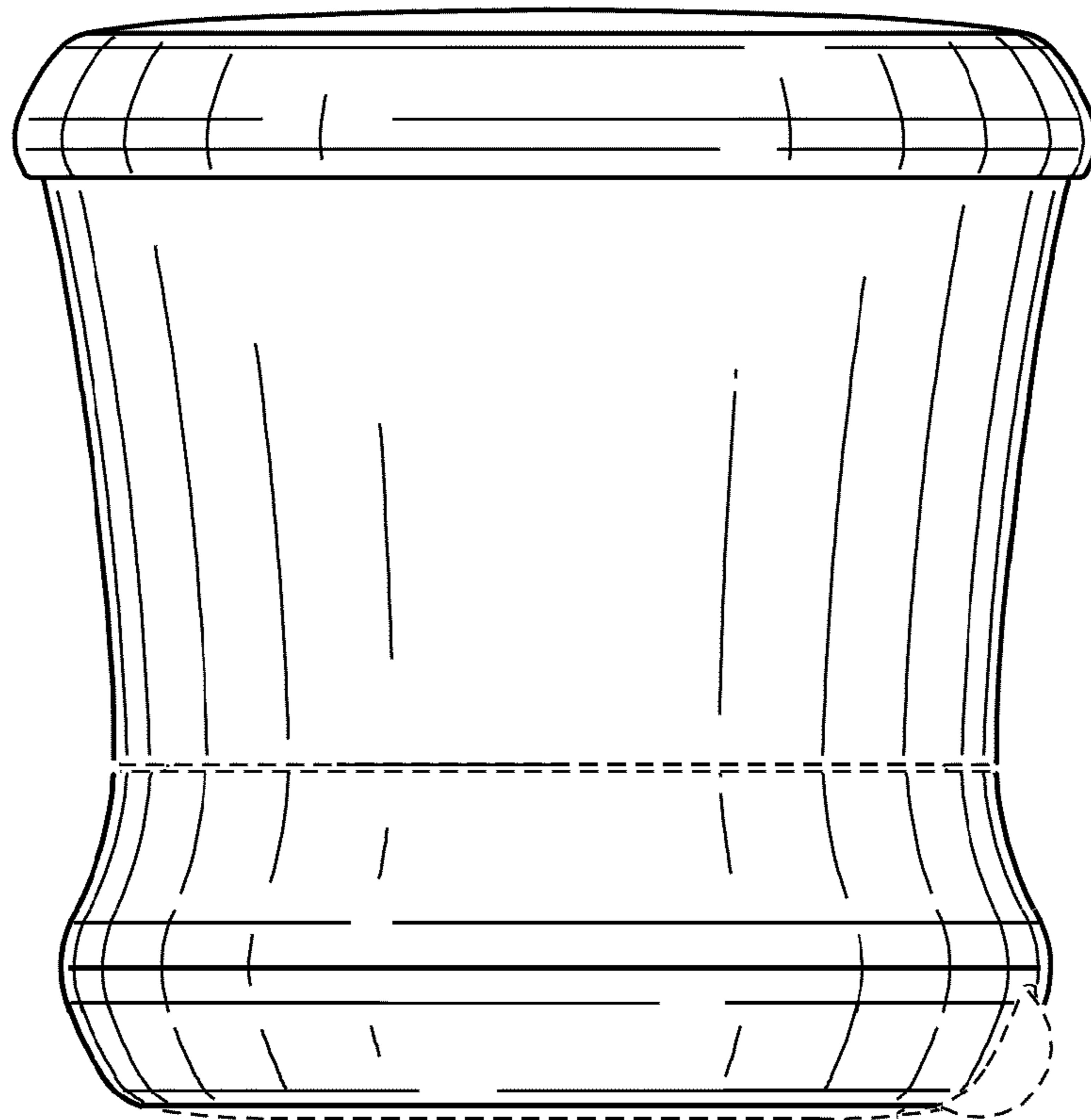


FIG. 7

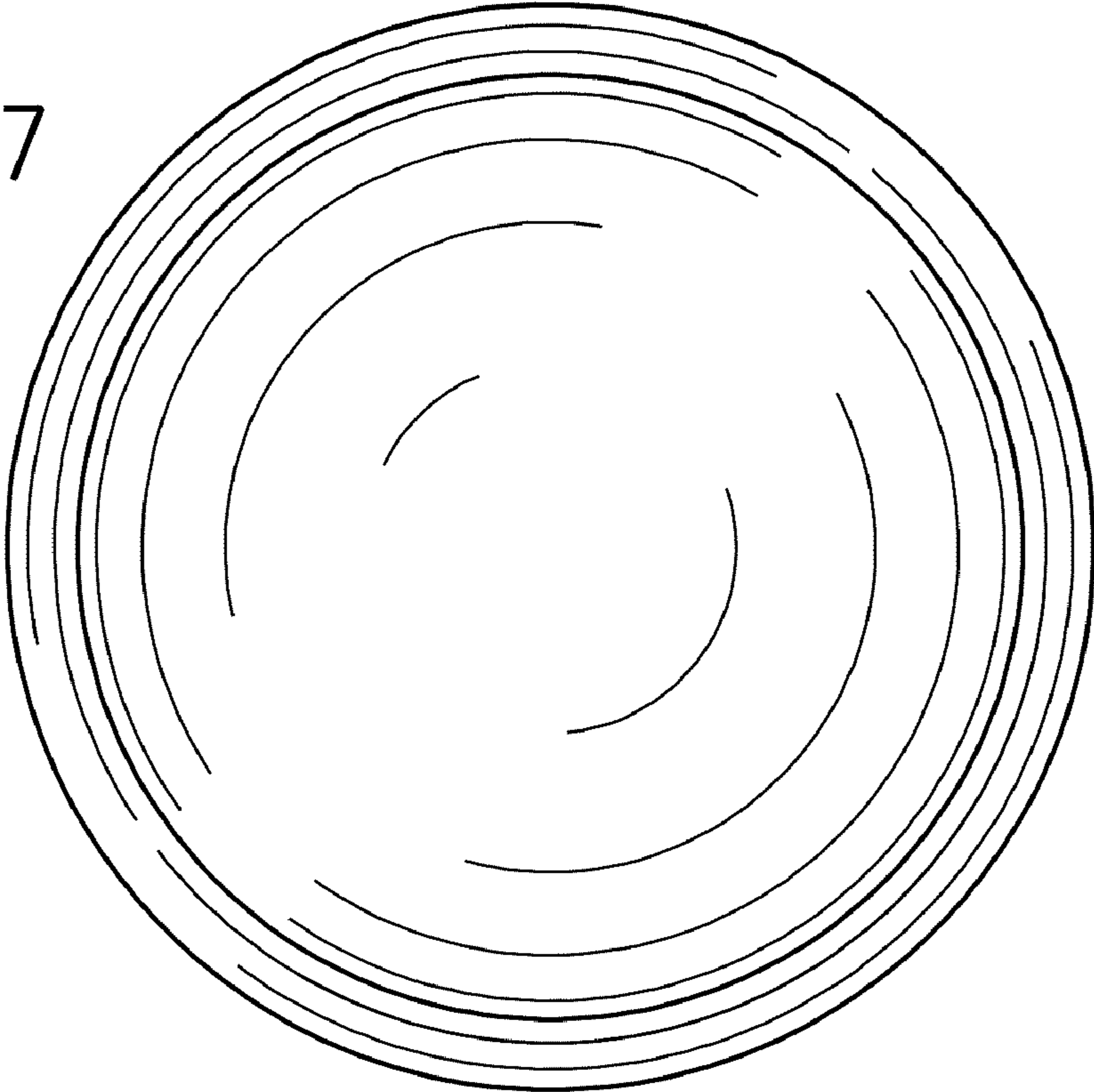


FIG. 8

