



US00D665648S

(12) **United States Design Patent**
Cheung

(10) **Patent No.:** **US D665,648 S**

(45) **Date of Patent:** **** Aug. 21, 2012**

(54) **LOCK**

(75) **Inventor:** **Mei-Ling Cheung**, New Taipei (TW)

(73) **Assignee:** **Sinox Co., Ltd.**, New Taipei (TW)

(**) **Term:** **14 Years**

(21) **Appl. No.:** **29/398,209**

(22) **Filed:** **Jul. 27, 2011**

(51) **LOC (9) Cl.** **08-07**

(52) **U.S. Cl.** **D8/334; D8/330; D8/343**

(58) **Field of Classification Search** D8/330-347;
70/14, 20-28, 31, 32, 39, 41, 52-56, 86,
70/314, 423, DIG. 43, DIG. 56, 38 A, DIG. 3,
70/DIG. 4

See application file for complete search history.

(56) **References Cited**

U.S. PATENT DOCUMENTS

1,881,809	A *	10/1932	Maxwell	70/38 A
D143,246	S *	12/1945	Soref	D8/334
3,908,415	A *	9/1975	Foote	70/49
4,226,100	A *	10/1980	Hampton et al.	70/51
5,761,935	A *	6/1998	Adelmeyer	70/55
D431,769	S *	10/2000	Gast	D8/346
D432,393	S *	10/2000	Gast	D8/346
D439,498	S *	3/2001	Hennig	D8/331

6,539,754	B1 *	4/2003	Fang	70/52
D564,338	S *	3/2008	Lu	D8/331
D606,382	S *	12/2009	Stevens	D8/334
D606,840	S *	12/2009	Gould	D8/331
D638,278	S *	5/2011	Plato	D8/334

* cited by examiner

Primary Examiner — Prabhakar Deshmukh

(74) *Attorney, Agent, or Firm* — Schmeiser, Olsen & Watts LLP

(57) **CLAIM**

The ornamental design for a lock, as shown and described.

DESCRIPTION

FIG. 1 is a front perspective view of lock showing my new design;

FIG. 2 is a front elevational view thereof, with a spindle extending through ring portions of the lock;

FIG. 3 is a rear elevational view thereof, with a spindle extending through ring portions of the lock;

FIG. 4 is a left side elevational view thereof, with a spindle extending through ring portions of the lock;

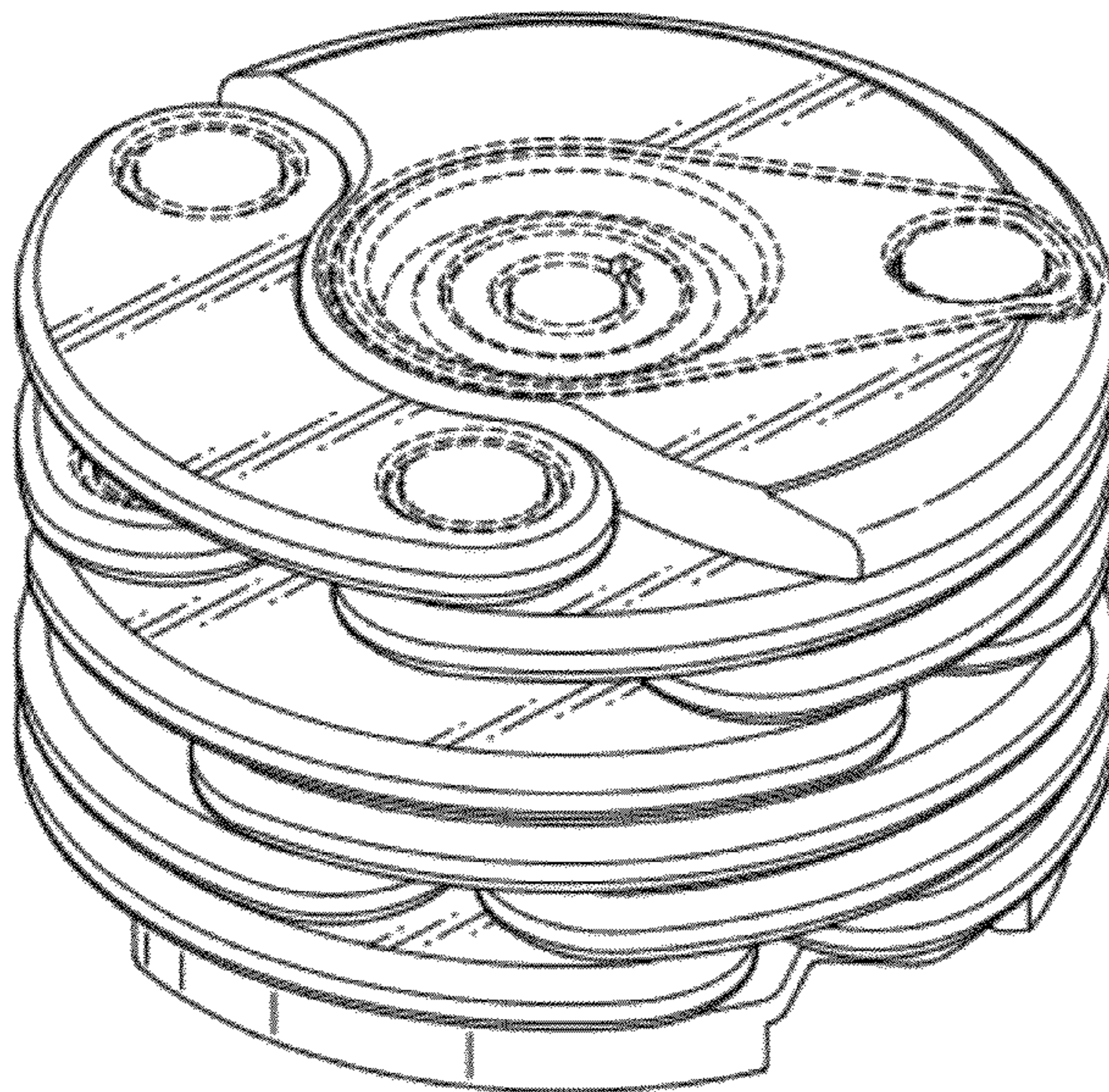
FIG. 5 is a right side elevational view thereof, with a spindle extending through ring portions of the lock;

FIG. 6 is a top plan view thereof; and,

FIG. 7 is a bottom plan view thereof.

The broken line environment is for illustrative purpose only and forms no part of the claimed design.

1 Claim, 7 Drawing Sheets



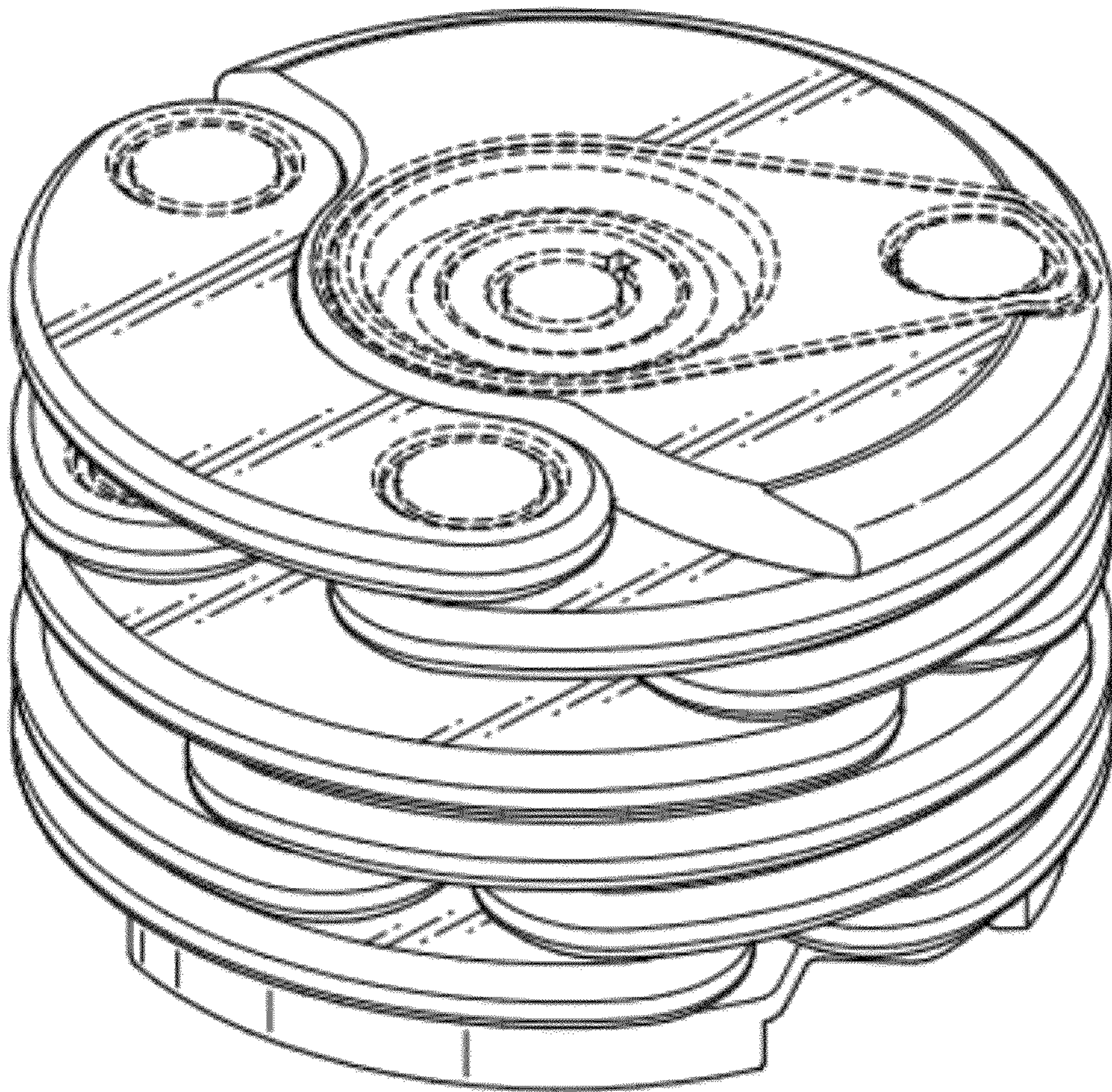


FIG. 1

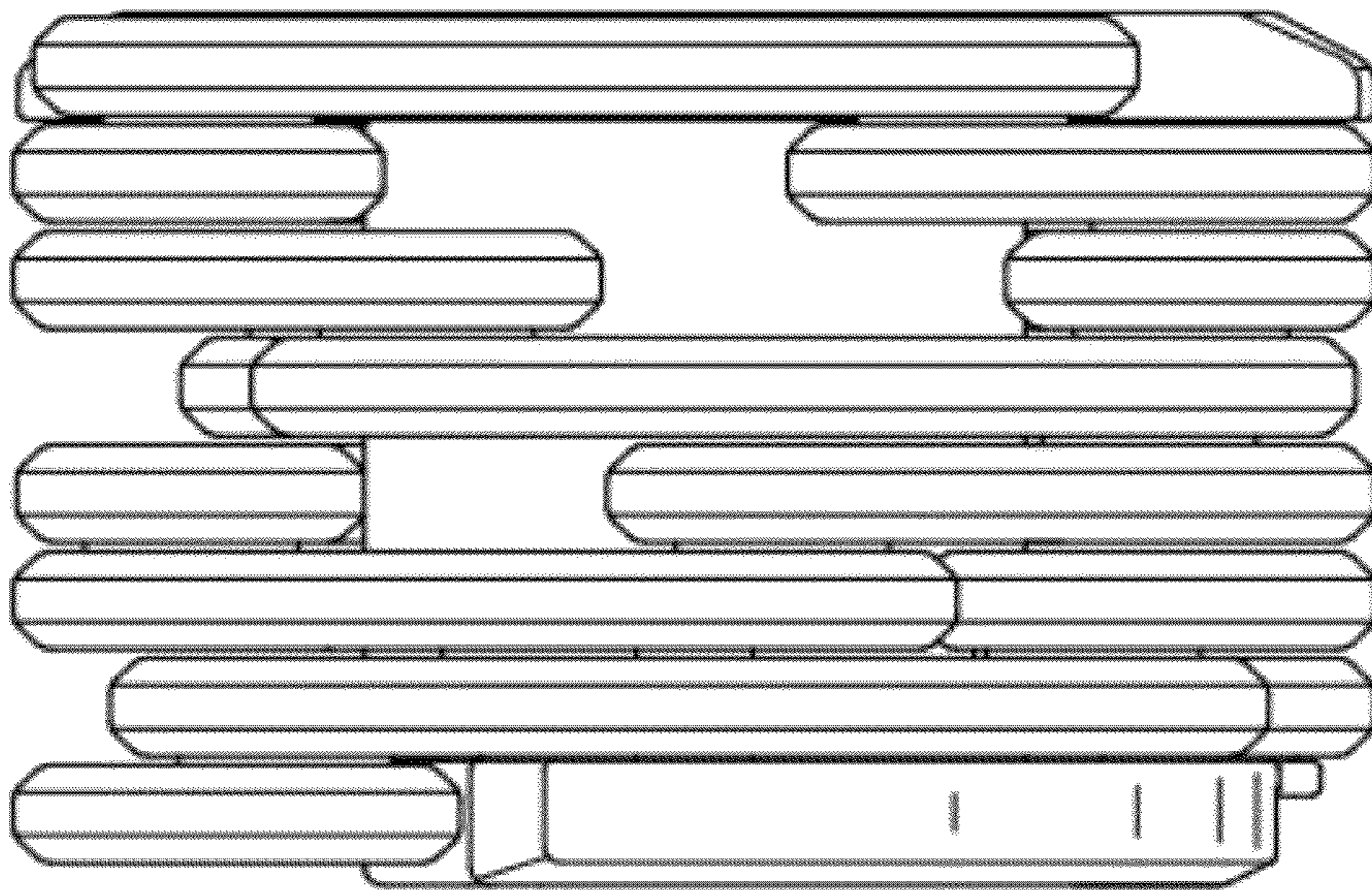


FIG.2

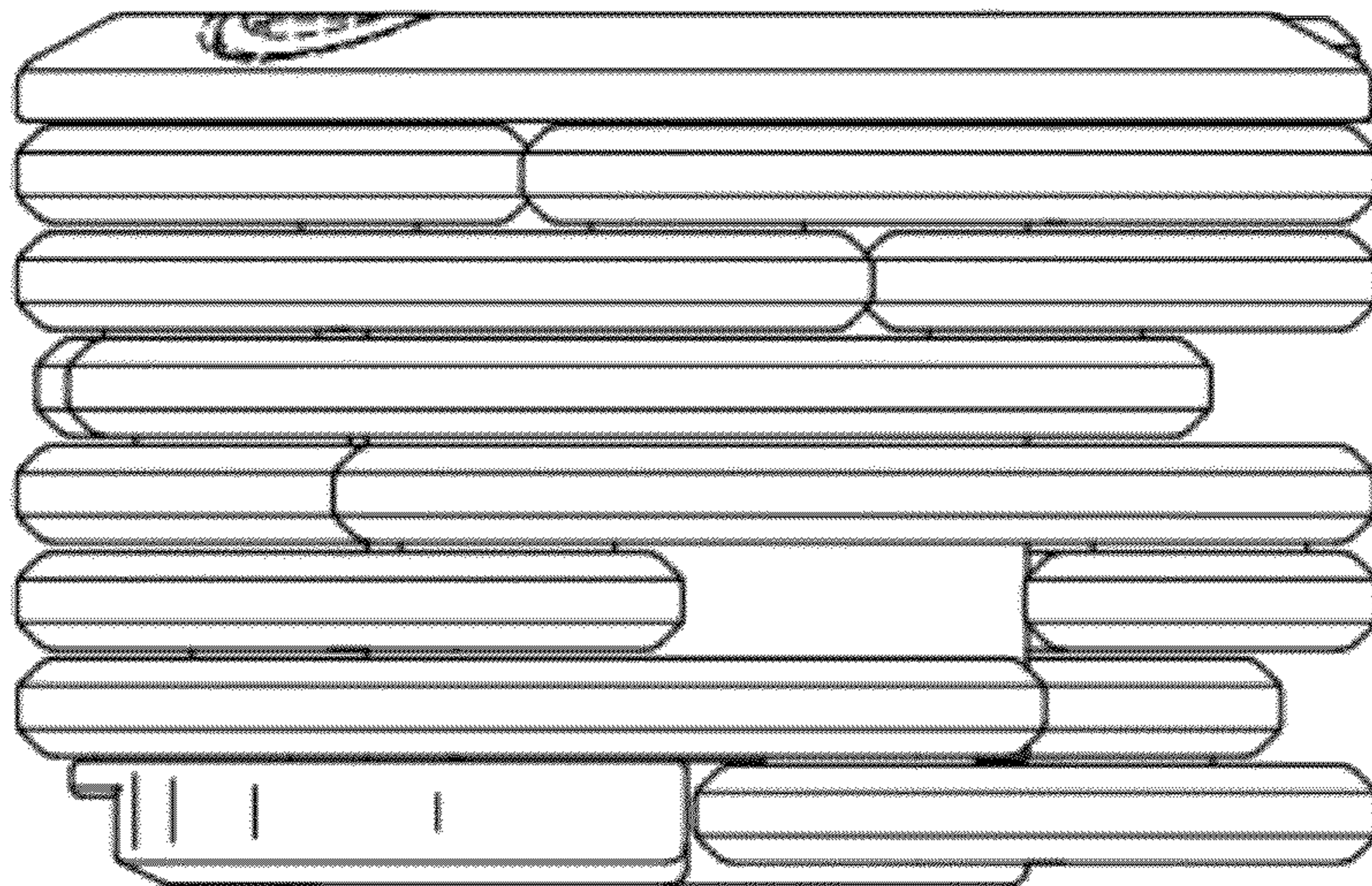


FIG.3

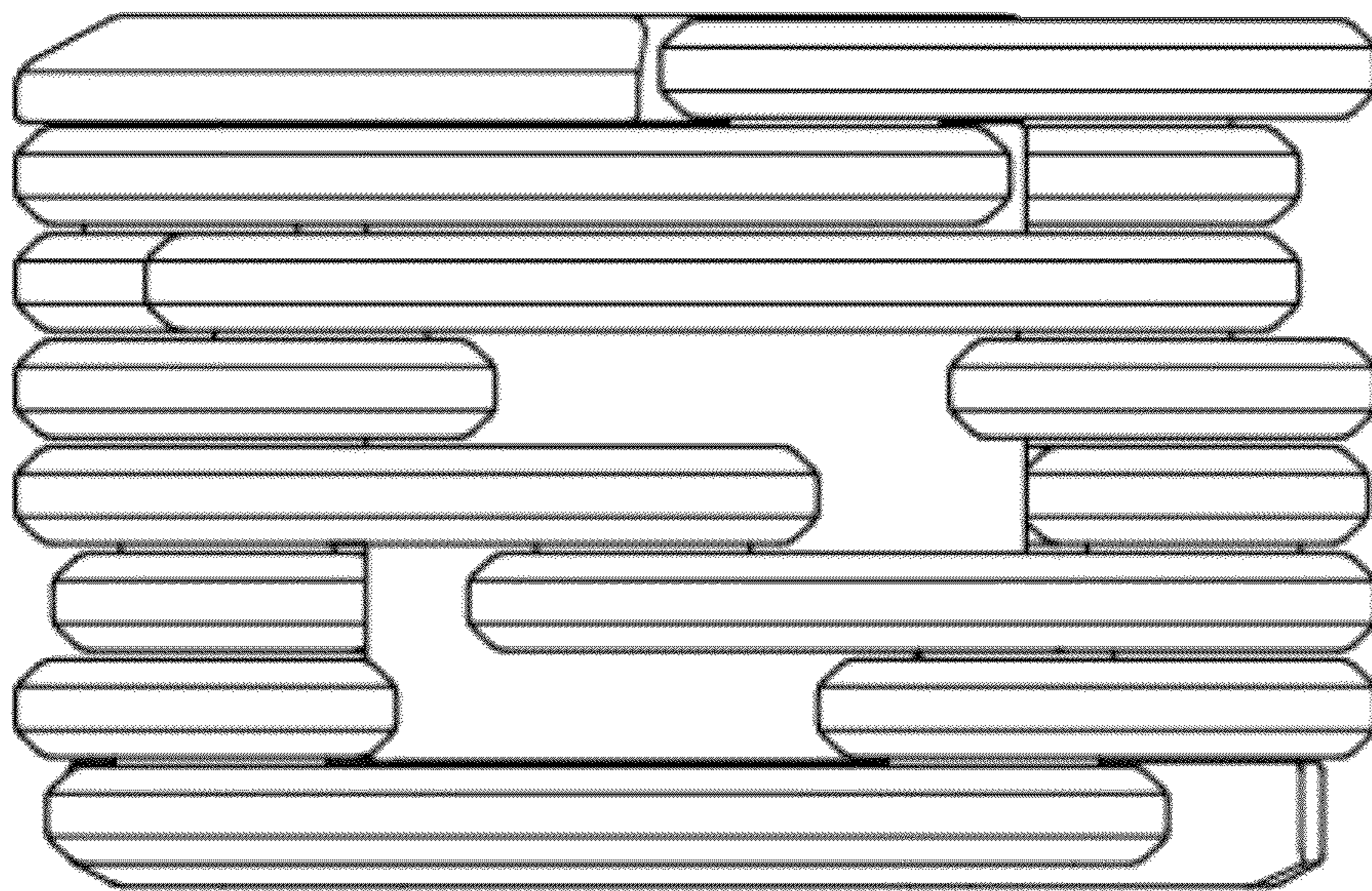


FIG.4

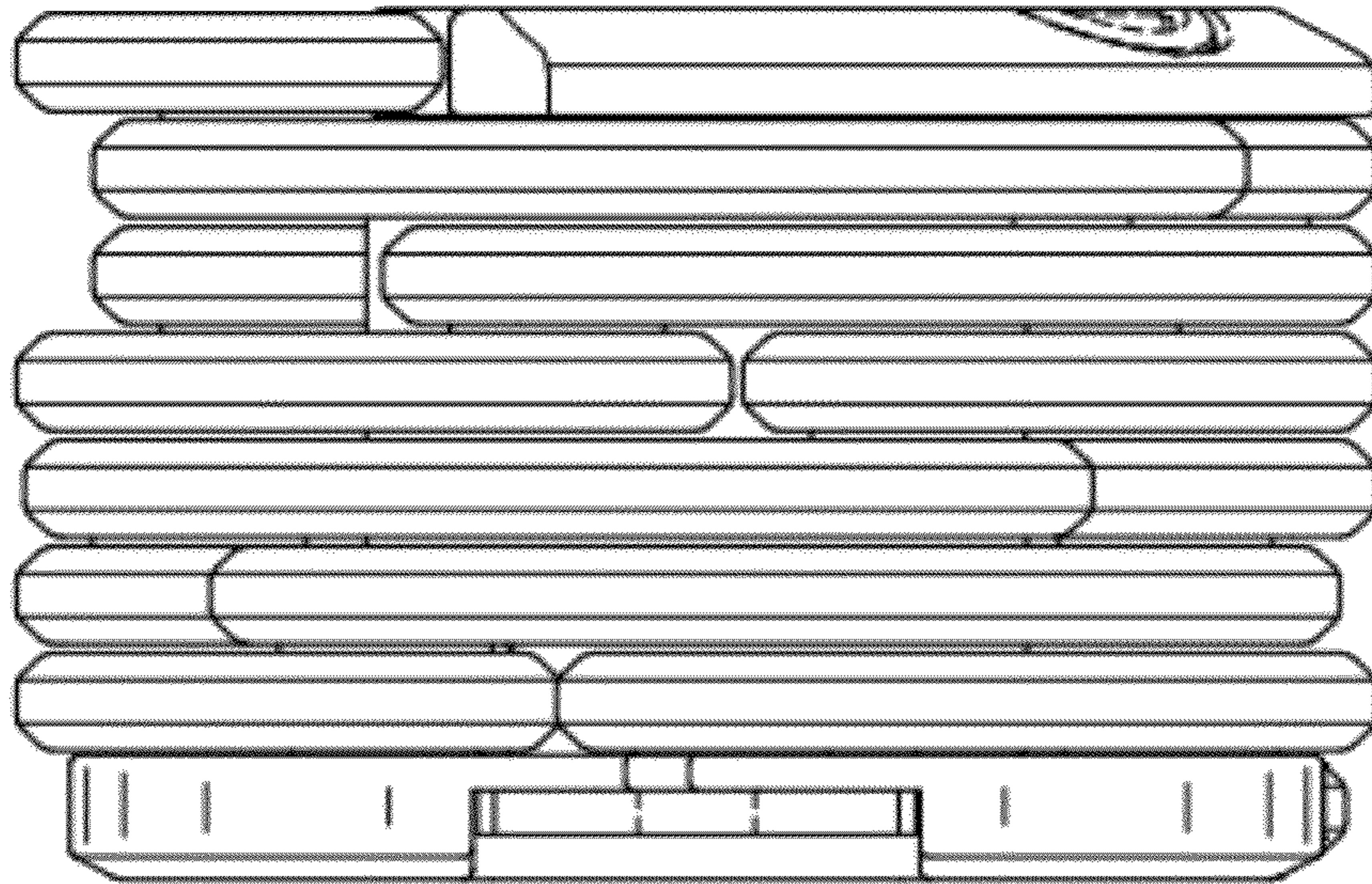


FIG.5

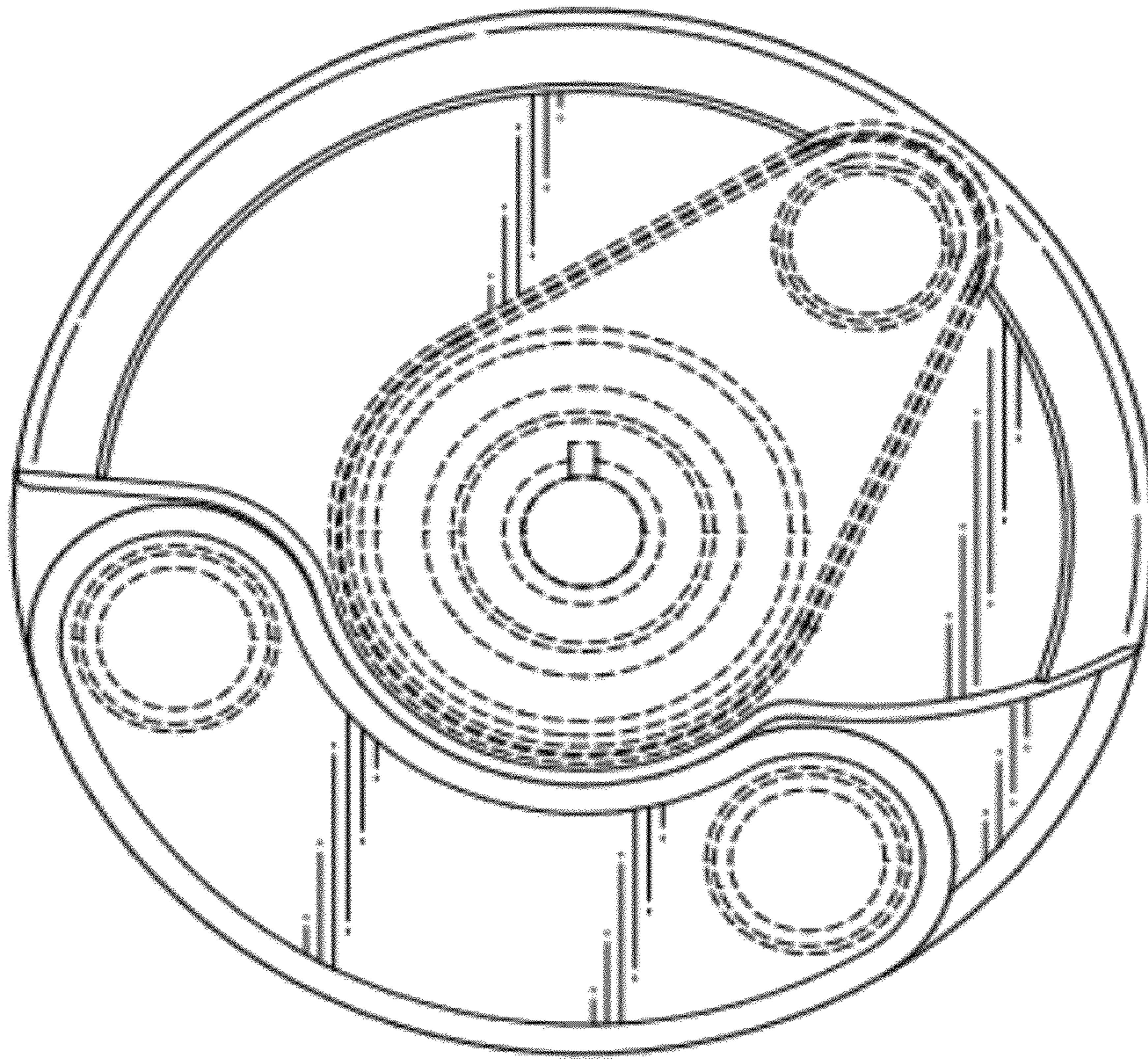


FIG. 6

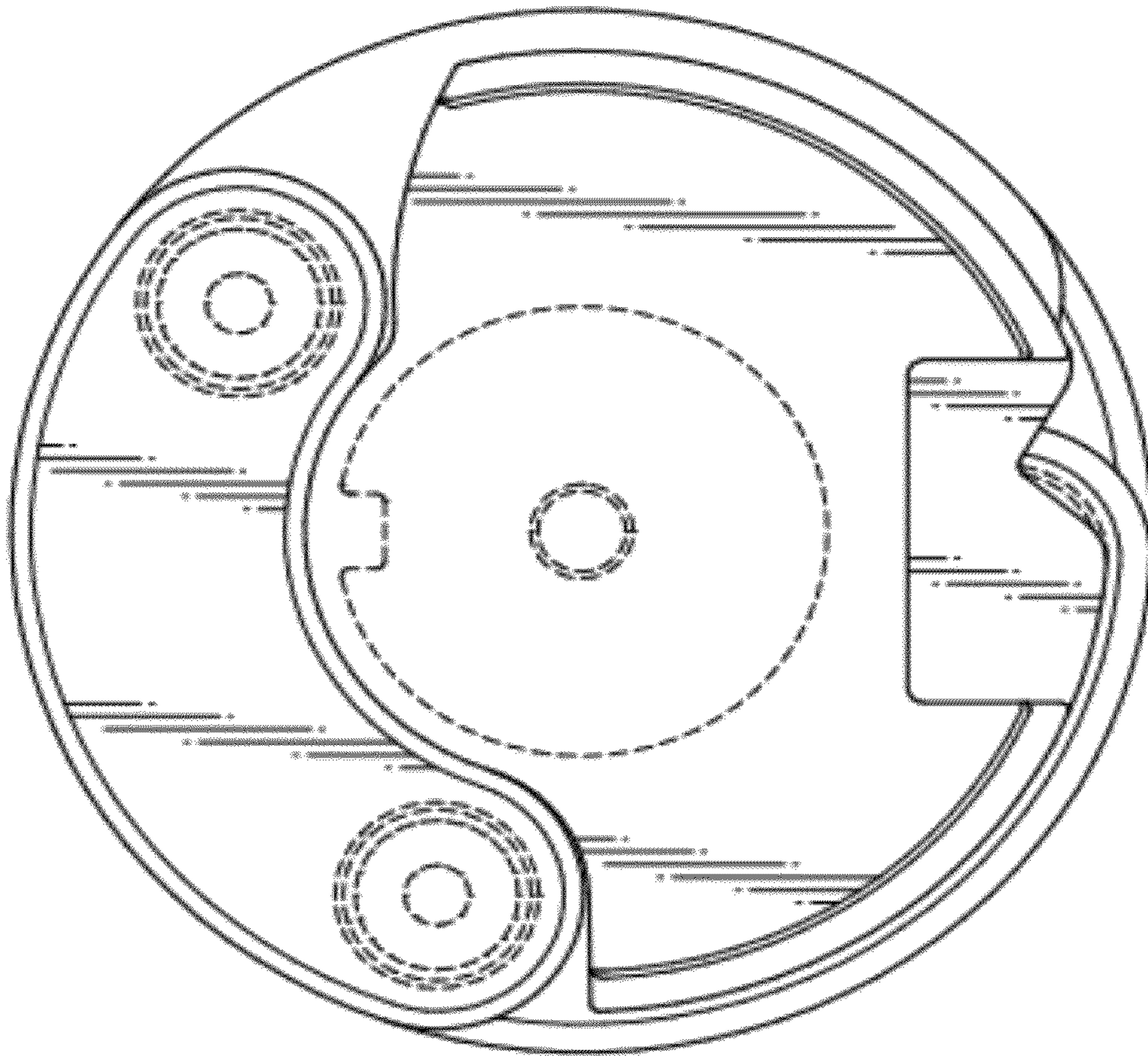


FIG. 7