



US00D665646S

(12) **United States Design Patent**
Handra et al.

(10) **Patent No.:** **US D665,646 S**

(45) **Date of Patent:** **** Aug. 21, 2012**

(54) **ICE SKATE GUARD CUTTER GUIDE**

(76) Inventors: **Beata Handra**, San Rafael, CA (US);
Charles Sinek, San Rafael, CA (US)

(**) Term: **14 Years**

(21) Appl. No.: **29/396,578**

(22) Filed: **Jul. 1, 2011**

(51) **LOC (9) Cl.** **08-05**

(52) **U.S. Cl.** **D8/71**

(58) **Field of Classification Search** D8/14,
D8/98, 71; D10/61-62, 64, 71; D15/127;
30/124, 289, 292-294; 225/6, 16, 17, 33;
83/762; D21/772

See application file for complete search history.

(56) **References Cited**

U.S. PATENT DOCUMENTS

1,842,573	A *	1/1932	Van Treek	83/762
3,811,356	A *	5/1974	Wylar	83/762
4,077,292	A *	3/1978	Cole	83/745
D258,929	S *	4/1981	Raer, Jr.	D8/14
D270,325	S *	8/1983	Johnston	D8/14
D274,975	S *	8/1984	Beerens	D8/71
4,989,332	A *	2/1991	Worrallo	33/342
D333,768	S *	3/1993	Schulenberg	D8/71
D342,030	S *	12/1993	Krantz	D10/64
D371,301	S *	7/1996	Jacoff	D8/71
7,228,638	B2 *	6/2007	Goodwin	33/511
D616,317	S *	5/2010	Yeh	D10/71
D616,318	S *	5/2010	Yeh	D10/71
D618,755	S *	6/2010	Handra et al.	D21/772
D619,185	S *	7/2010	Handra et al.	D21/772
D633,585	S *	3/2011	Hirano et al.	D21/772
D640,112	S *	6/2011	Smith	D8/71

OTHER PUBLICATIONS

Rockerz Skate Guards Assembly Animation. "Still" from <http://www.youtube.com/user/RockerzSkateGuards?feature=watch>. Snagged Mar. 20, 2012.*

* cited by examiner

Primary Examiner — Philip S Hyder

Assistant Examiner — Roselynn Cody

(74) *Attorney, Agent, or Firm* — Dergosits & Noah LLP;
Michael Dergosits

(57) **CLAIM**

The ornamental design for an ice skate guard cutter guide, substantially as shown and described.

DESCRIPTION

FIG. 1 is a top perspective view of the ice skate guard cutter guide of this invention;

FIG. 2 is a top view thereof;

FIG. 3 is a bottom view thereof;

FIG. 4 is a view in elevation thereof along line 4-4 of FIG. 2;

FIG. 5 is another view in elevation thereof along line 5-5 of FIG. 2;

FIG. 6 is another view in elevation thereof along line 6-6 of FIG. 2;

FIG. 7 is another view in elevation thereof along line 7-7 of FIG. 2

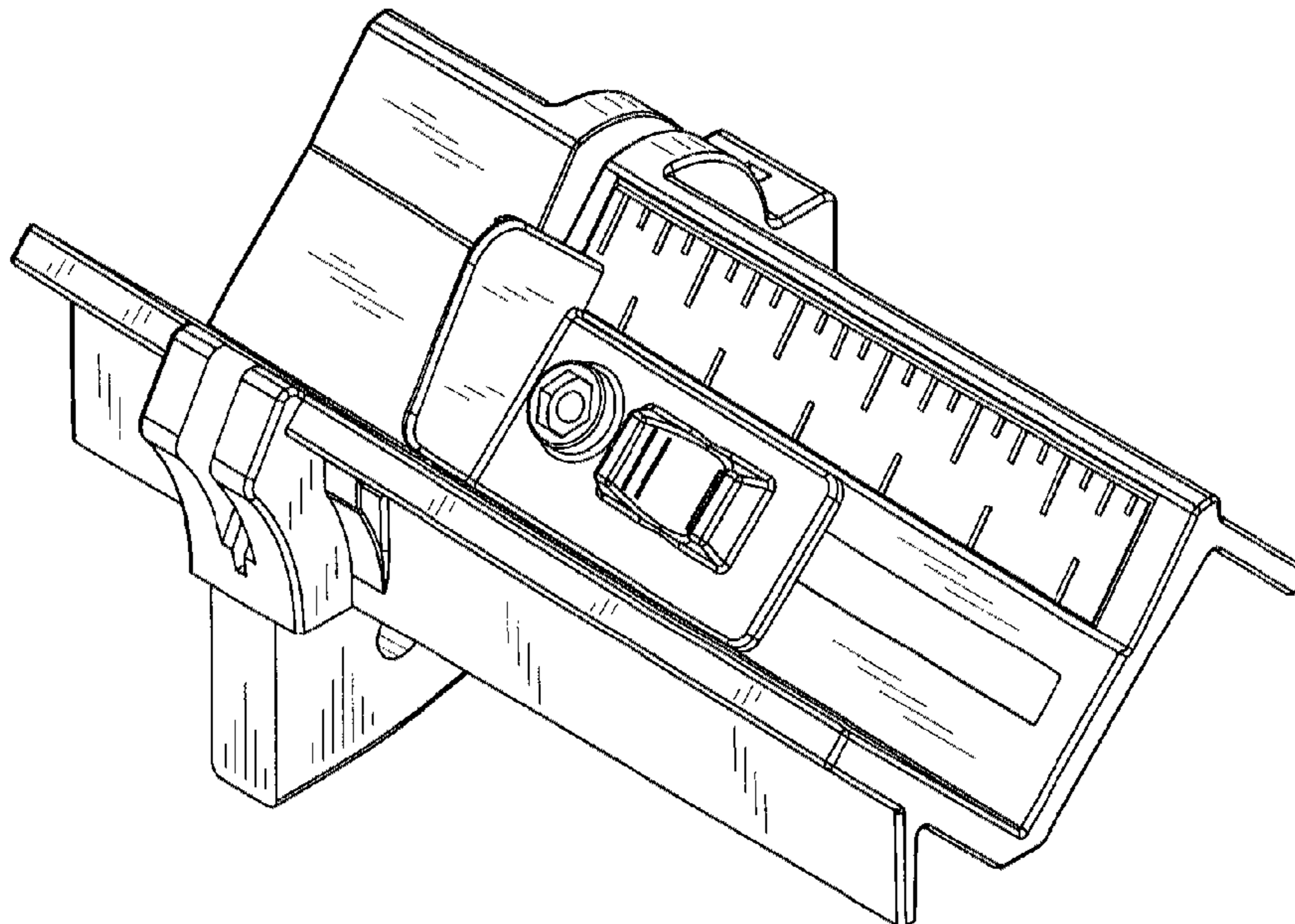
FIG. 8 is another top perspective view thereof;

FIG. 9 is a bottom perspective view thereof;

FIG. 10 is a bottom side perspective view thereof along line 7-7 of FIG. 2; and,

FIG. 11 is another bottom side perspective view thereof along line 6-6 of FIG. 2.

1 Claim, 5 Drawing Sheets



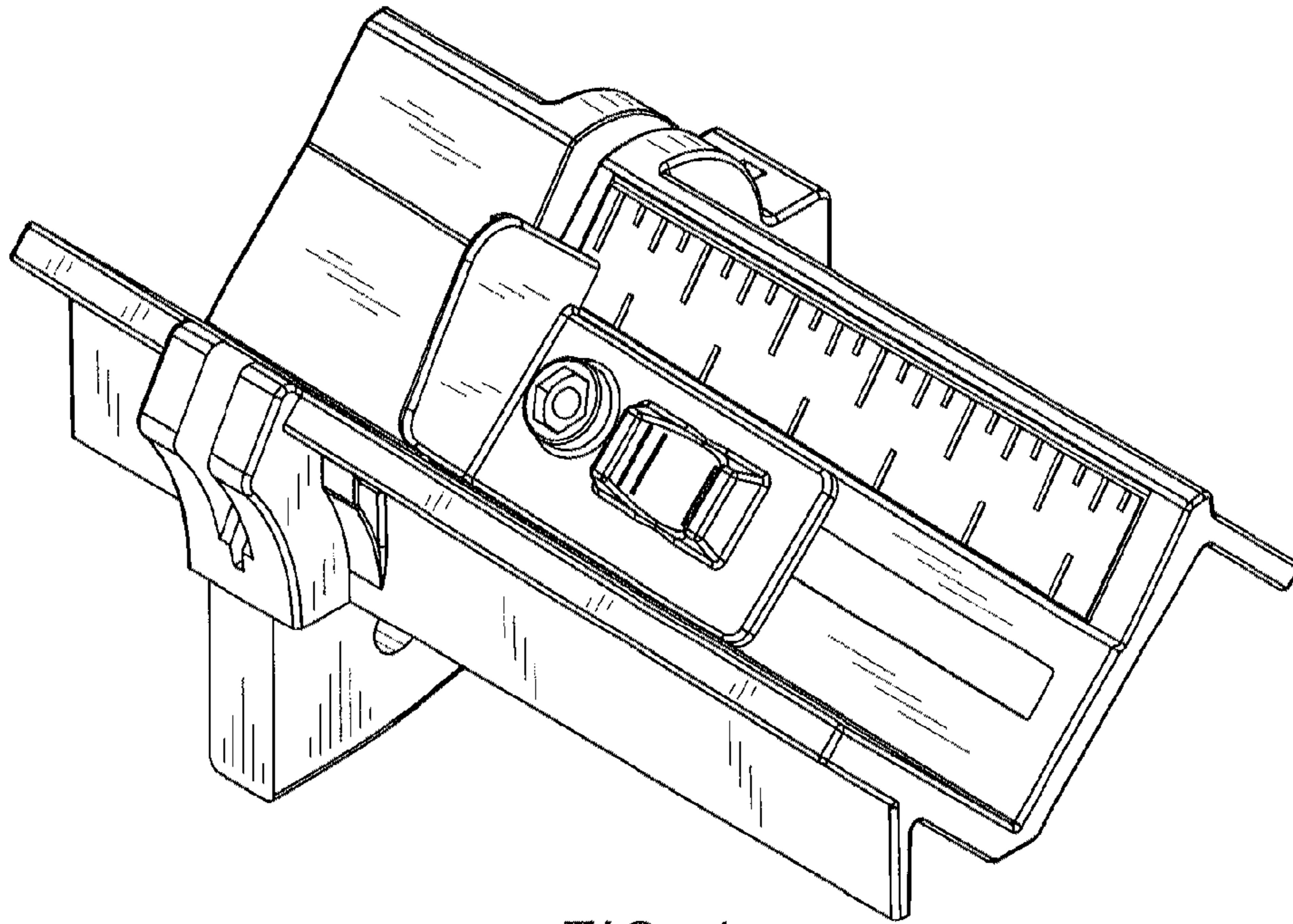


FIG. 1

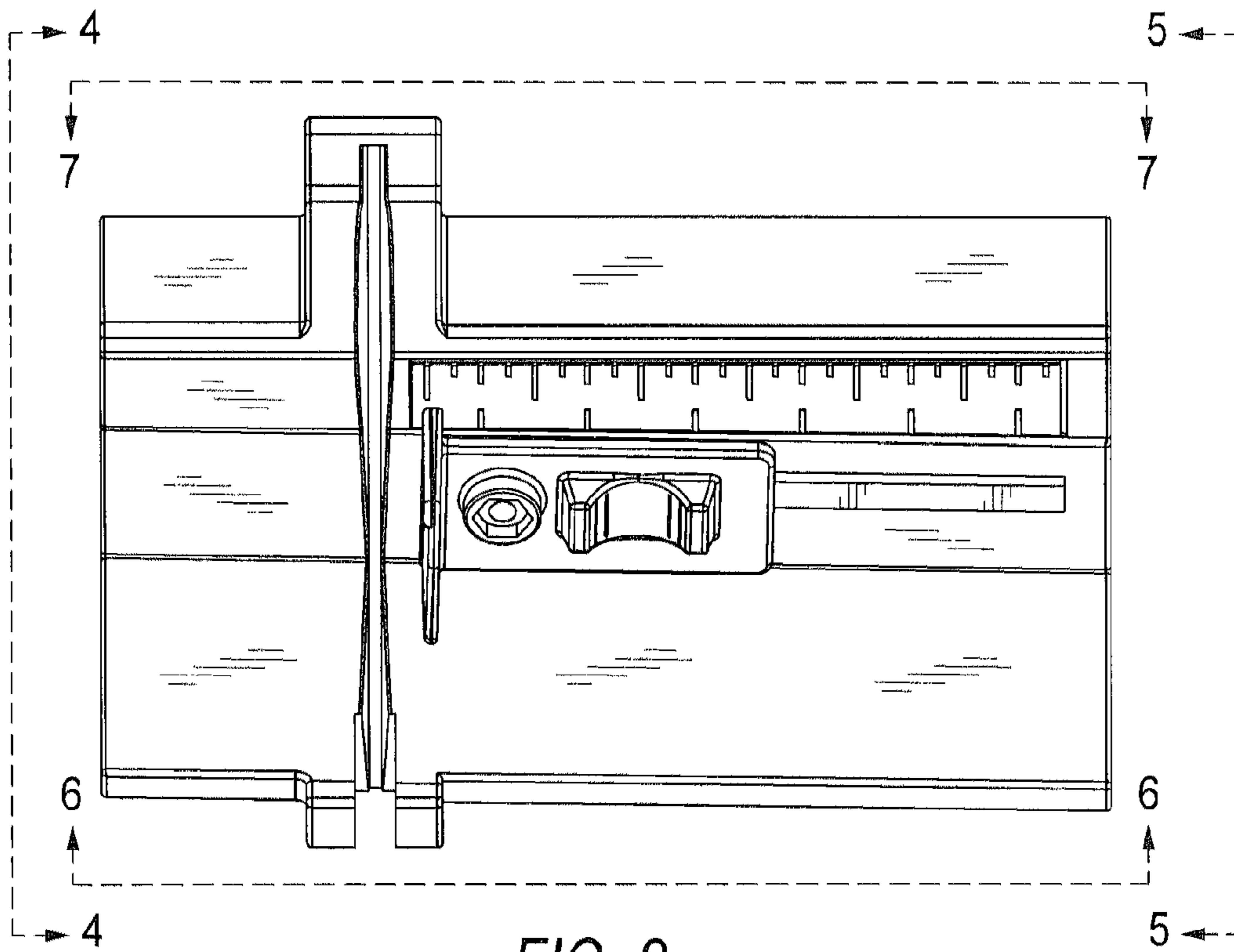


FIG. 2

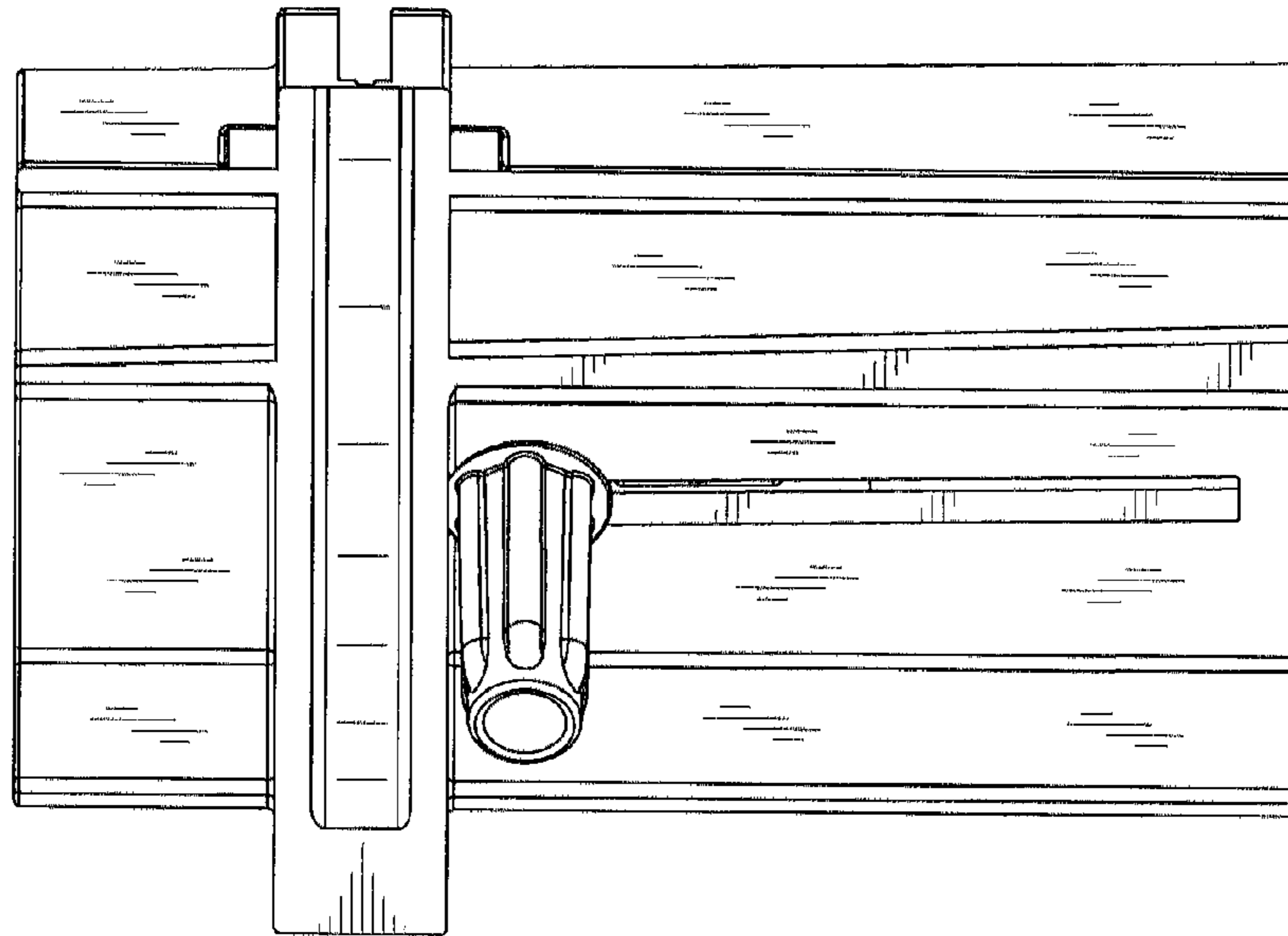


FIG. 3

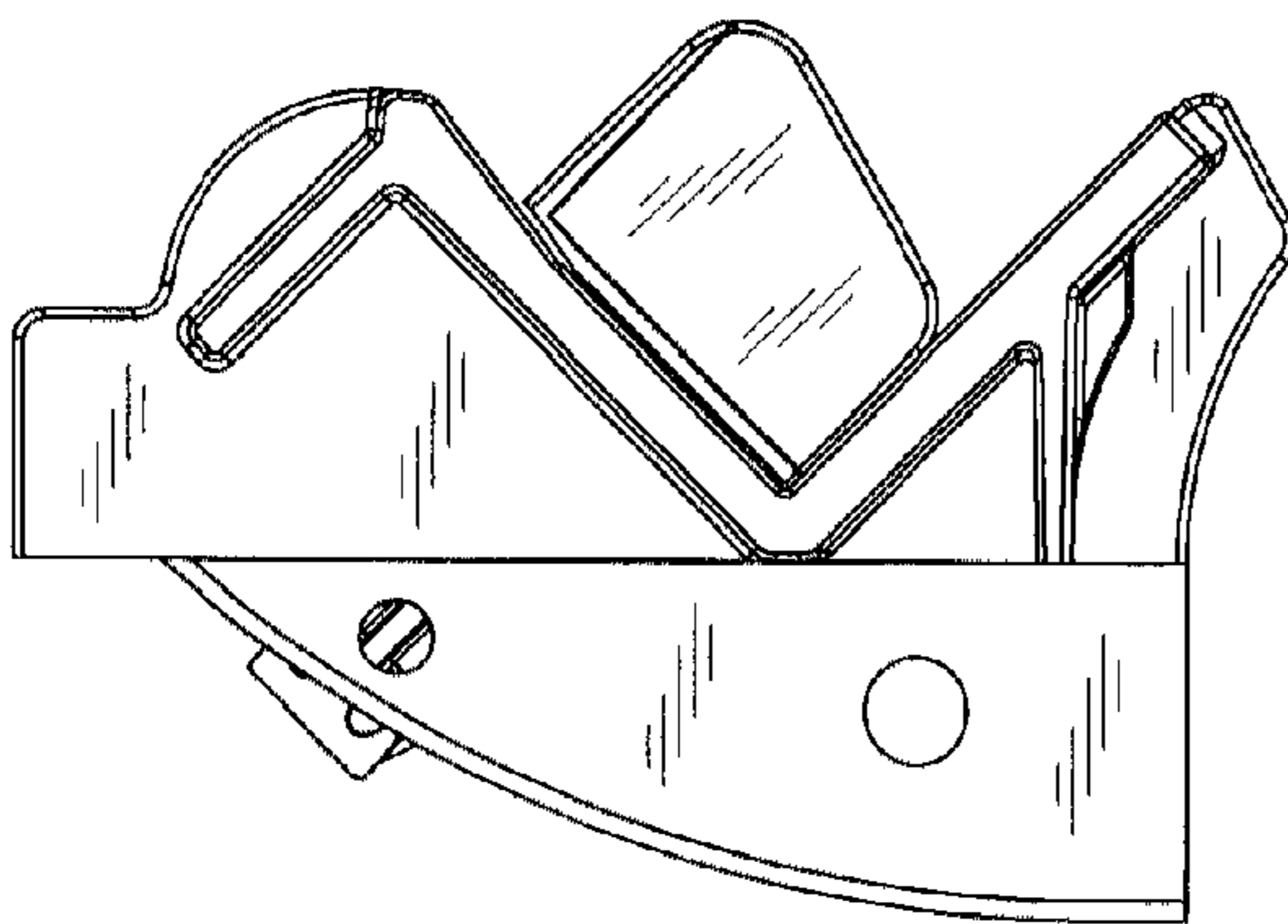


FIG. 4

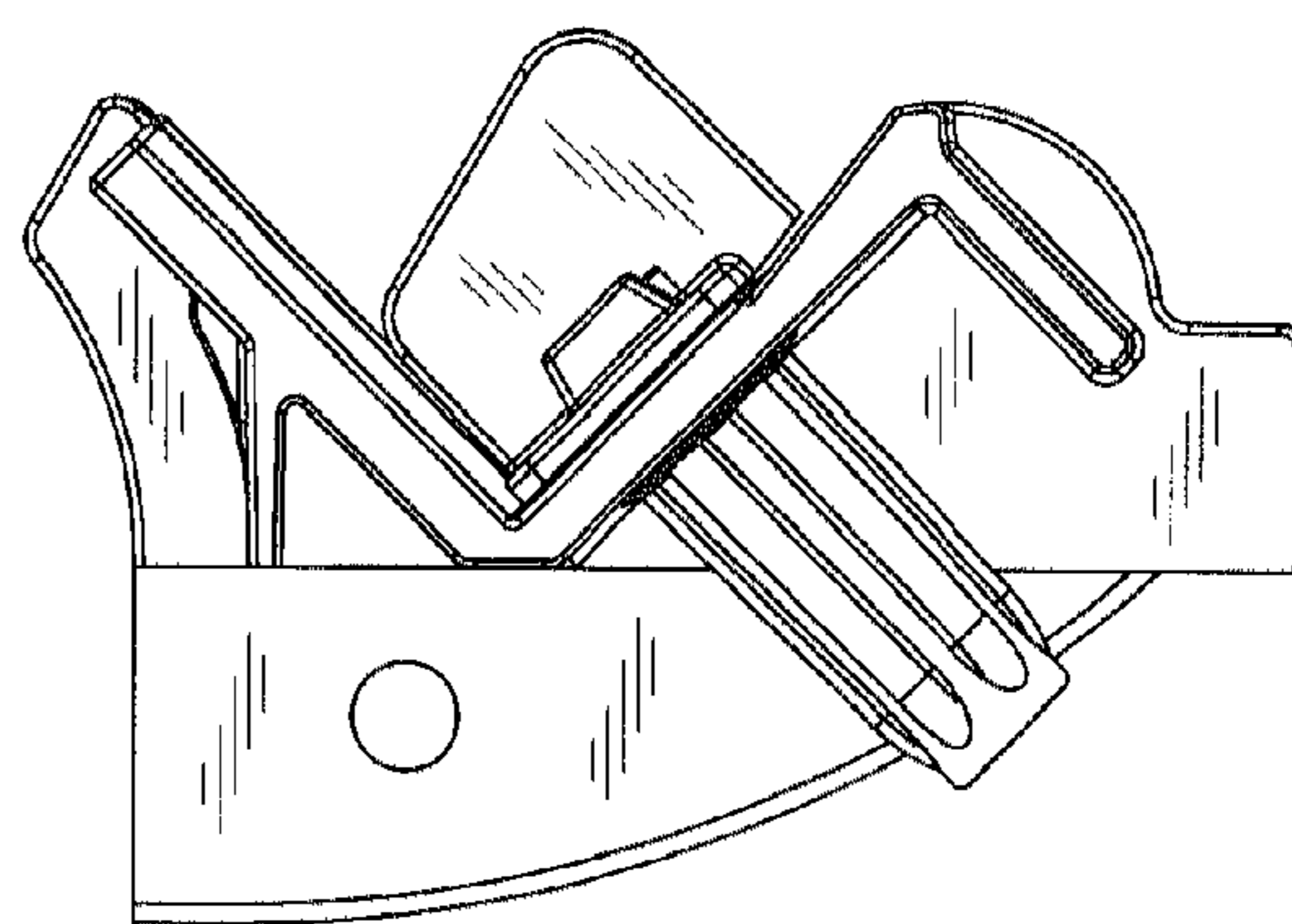


FIG. 5

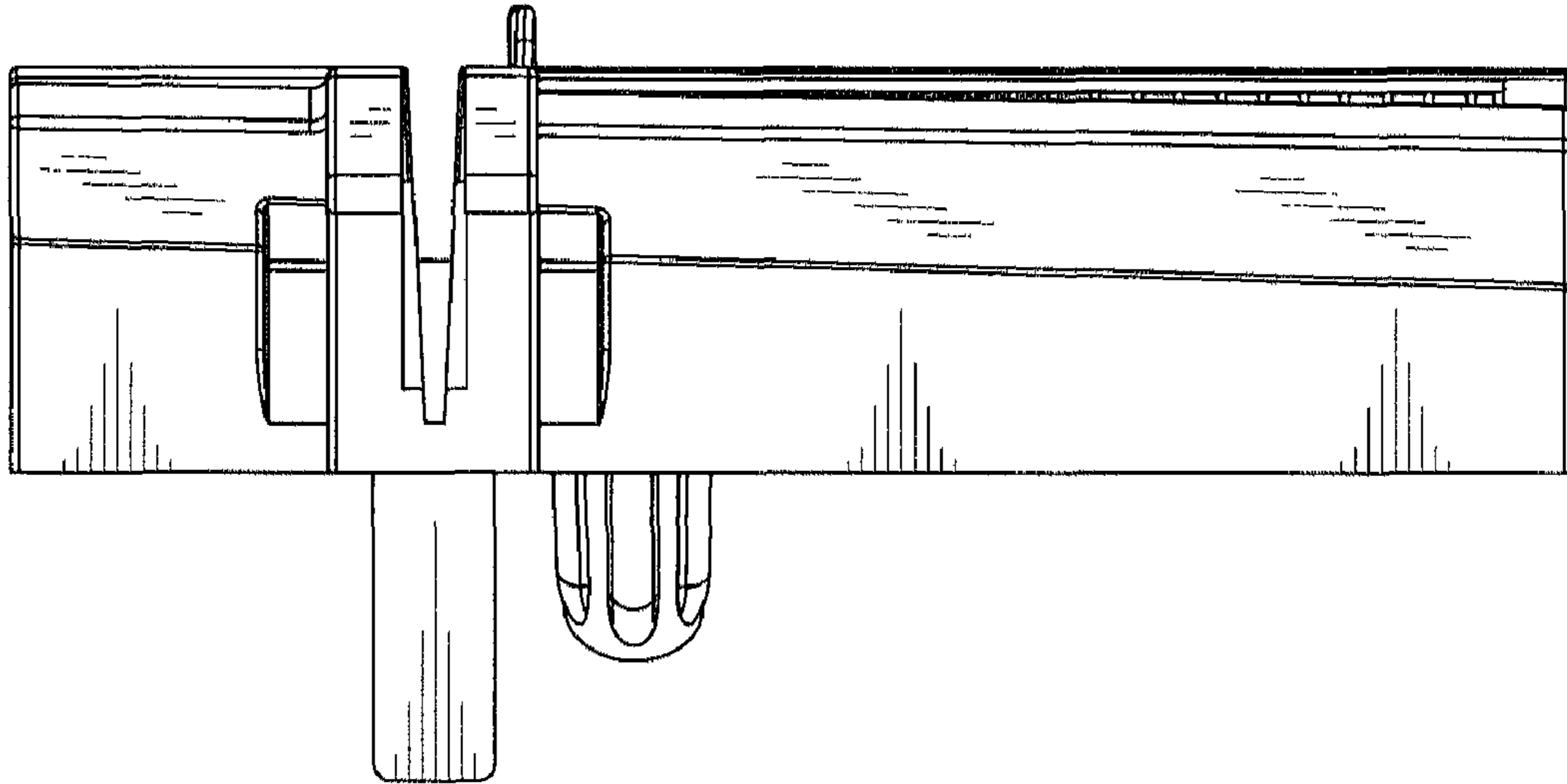


FIG. 6

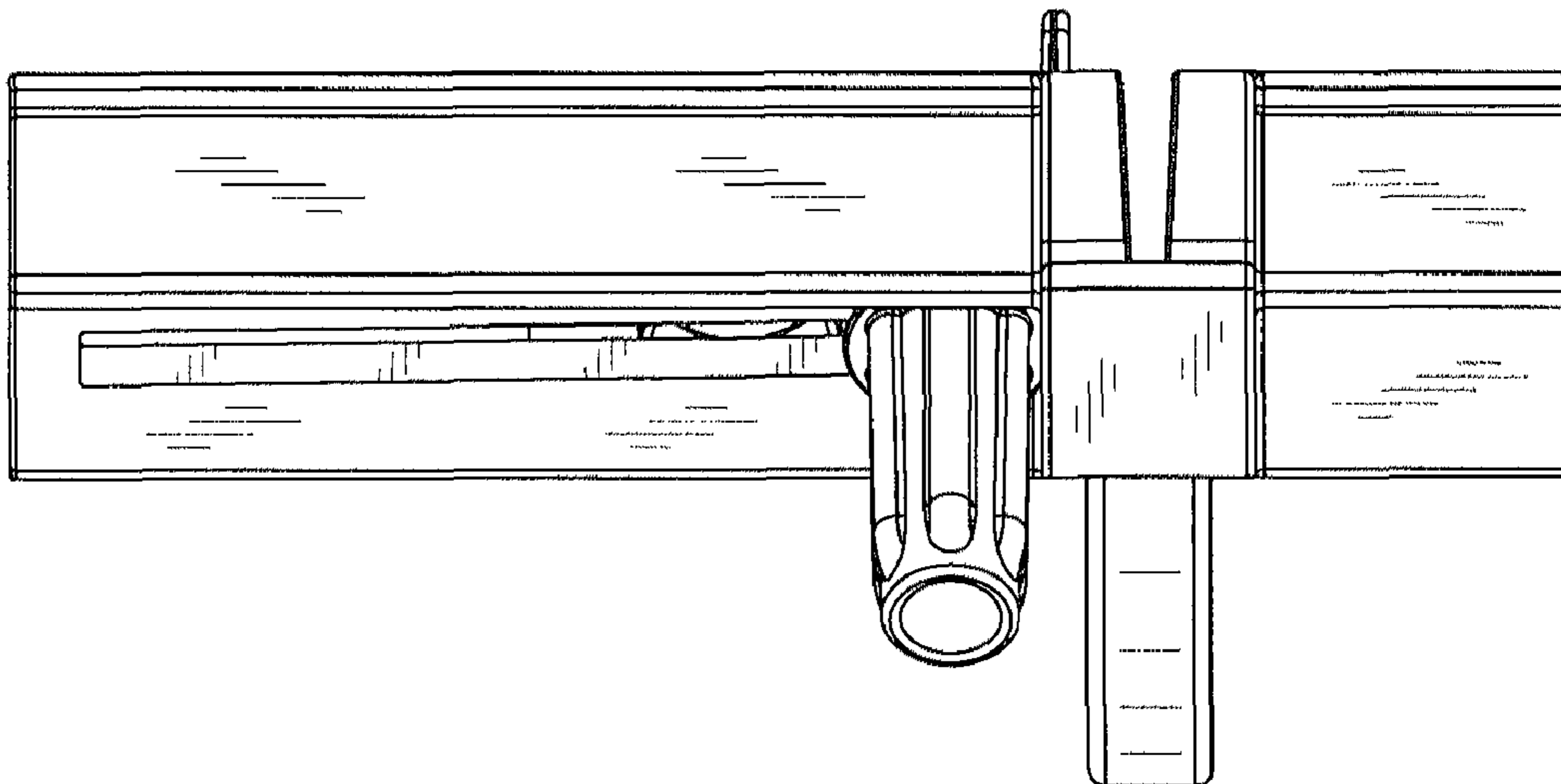


FIG. 7

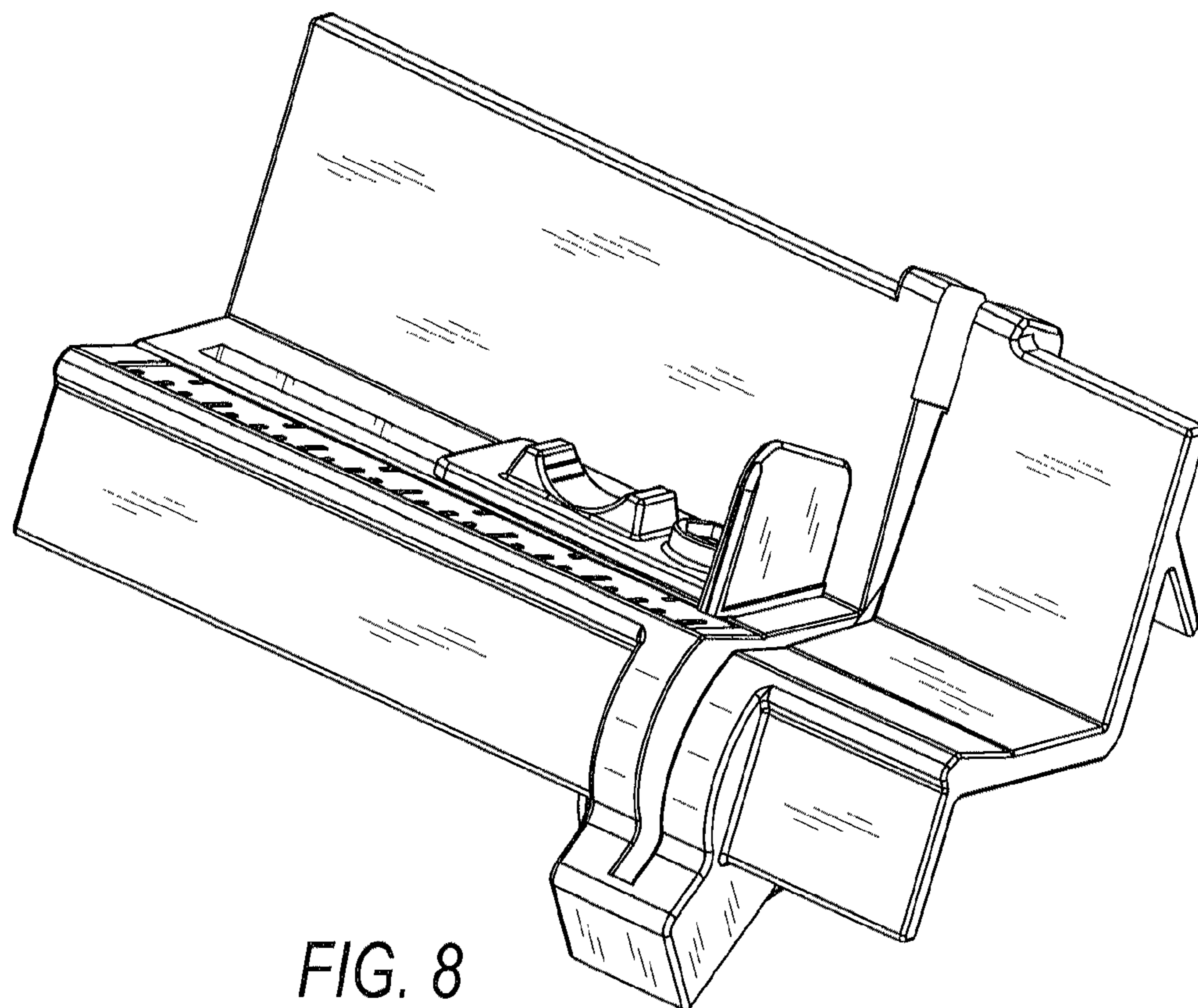


FIG. 8

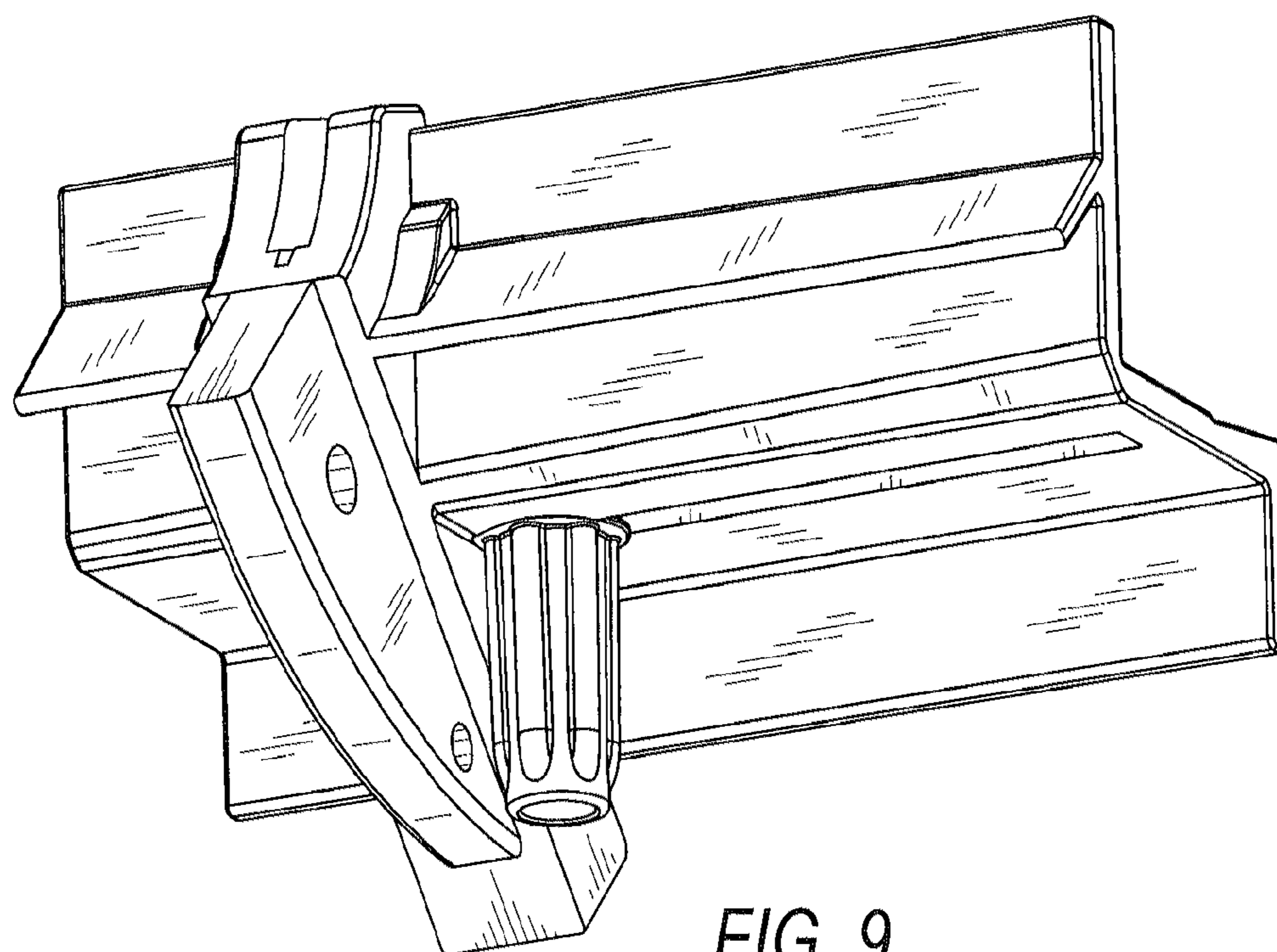


FIG. 9

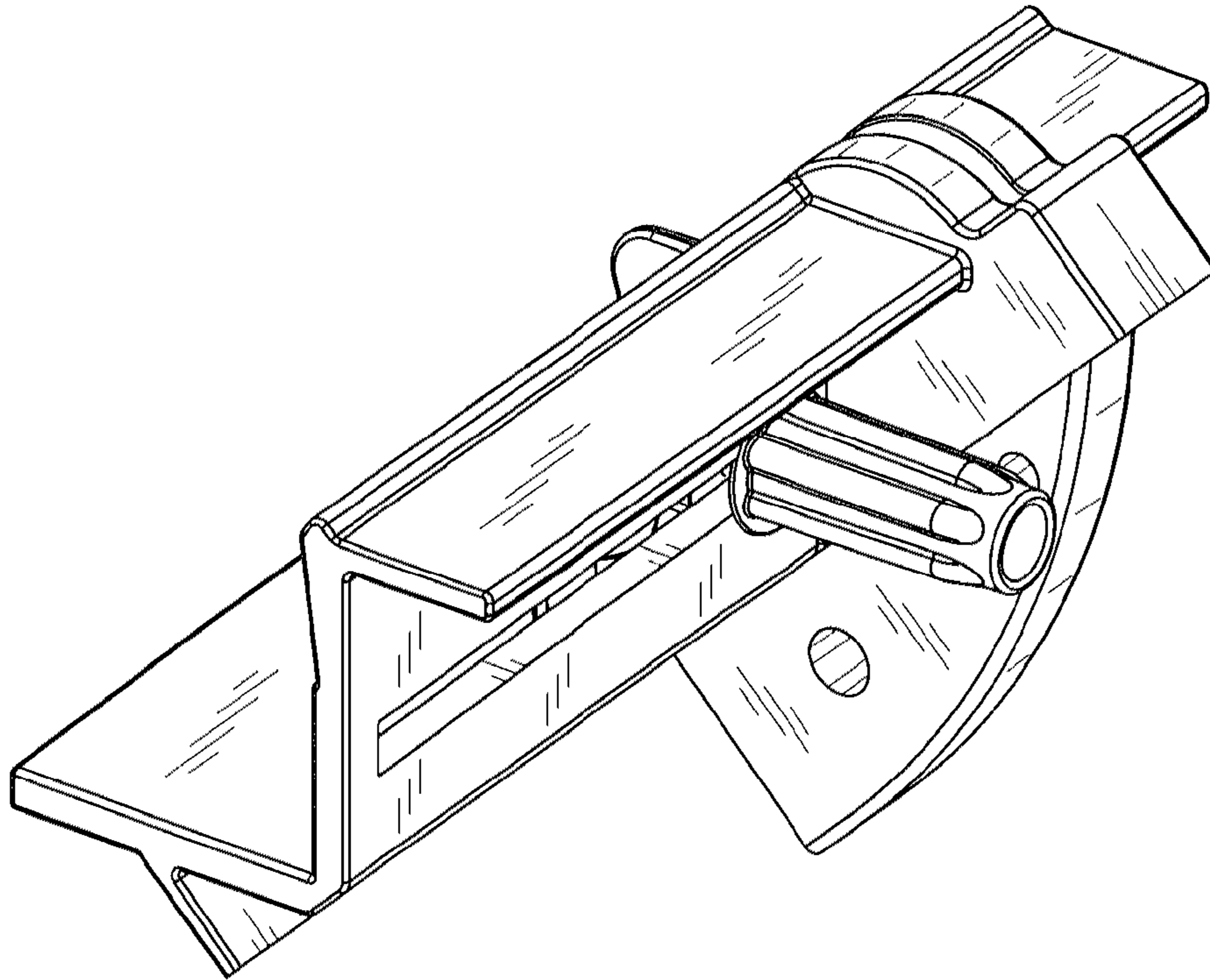


FIG. 10

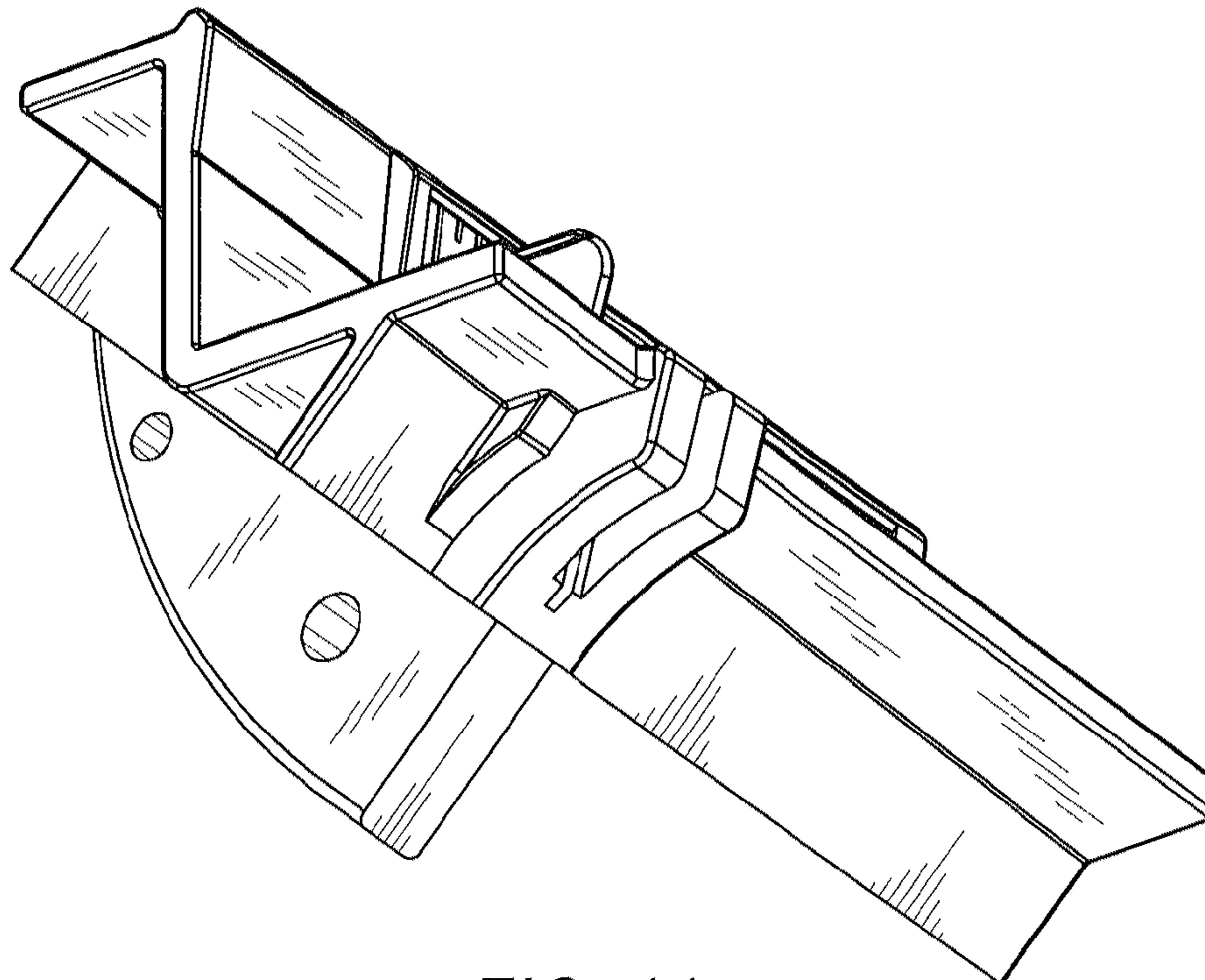


FIG. 11