



US00D665645S

(12) **United States Design Patent**
McRoberts et al.

(10) **Patent No.:** **US D665,645 S**

(45) **Date of Patent:** **** Aug. 21, 2012**

(54) **POWER TOOL ATTACHMENT HEAD**

(75) Inventors: **Jason McRoberts**, Red Lion, PA (US);
Steven McClaskey, North Las Vegas,
NV (US); **Thomas W. Murray**,
Baltimore, MD (US)

(73) Assignee: **Black & Decker Inc.**, Newark, DE (US)

(**) Term: **14 Years**

(21) Appl. No.: **29/412,685**

(22) Filed: **Feb. 7, 2012**

Related U.S. Application Data

(63) Continuation of application No. 29/406,315, filed on
Nov. 11, 2011.

(51) **LOC (9) Cl.** **08-05**

(52) **U.S. Cl.** **D8/70**

(58) **Field of Classification Search** D8/70;
7/158; 29/453, 525, 560; 30/500, DIG. 1;
173/29, 170, 171, 216, 217; 200/43.16, 20.01,
200/61.58 R, 334; 310/50; 408/4, 20, 22,
408/31; 451/334, 363, 415
See application file for complete search history.

(56) **References Cited**

U.S. PATENT DOCUMENTS

D420,267 S * 2/2000 Robson D8/70
6,153,838 A 11/2000 Wadge
6,170,579 B1 1/2001 Wadge
6,176,322 B1 1/2001 Wadge
6,206,107 B1 3/2001 Wadge
6,263,980 B1 7/2001 Wadge
D447,037 S * 8/2001 Netzler D8/70
D447,038 S * 8/2001 Netzler D8/70

6,286,611 B1 9/2001 Bone
6,553,642 B2 4/2003 Driessen
6,634,439 B2 10/2003 Driessen
6,641,467 B1 11/2003 Robson et al.
6,675,911 B2 1/2004 Driessen
D587,978 S * 3/2009 Aglassinger D8/70
D626,395 S * 11/2010 Lau et al. D8/70
D627,204 S * 11/2010 Harrison et al. D8/70

* cited by examiner

Primary Examiner — Antoine D Davis

(74) *Attorney, Agent, or Firm* — Stephen R. Valancius

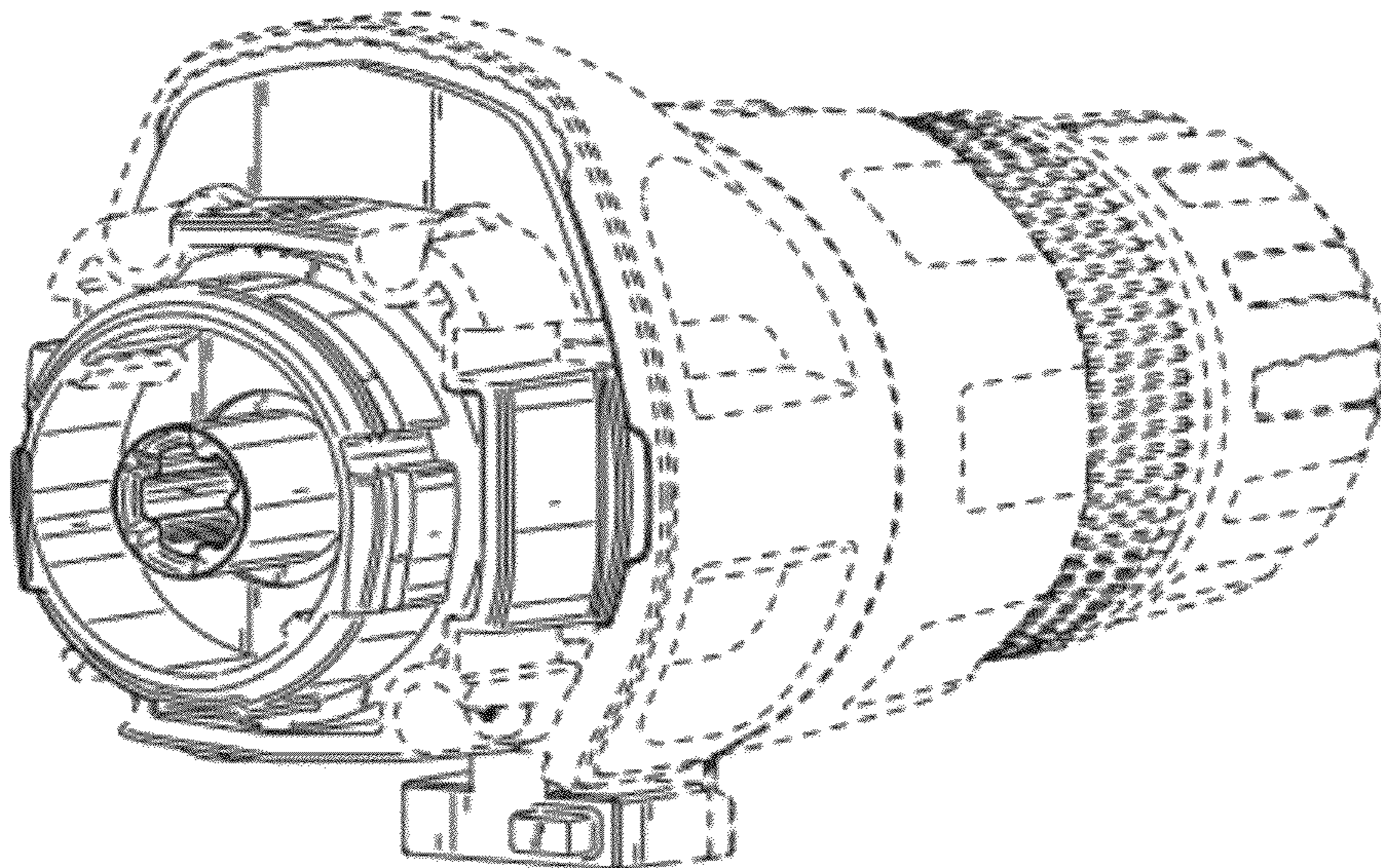
(57) **CLAIM**

The ornamental design for a power tool attachment head, as
shown and described.

DESCRIPTION

FIG. 1 is a perspective view of a power tool attachment head
according to the present invention;
FIG. 2 is a front view of the power tool attachment head of
FIG. 1;
FIG. 3 is a back view of the power tool attachment head of
FIG. 1;
FIG. 4 is a right side view of the power tool attachment head
of FIG. 1;
FIG. 5 is a left side view of the power tool attachment head of
FIG. 1;
FIG. 6 is a top view of the power tool attachment head of FIG.
1; and,
FIG. 7 is a bottom view of the power tool attachment head of
FIG. 1.
The broken lines in the figures illustrate features that form no
part of the claimed design.

1 Claim, 6 Drawing Sheets



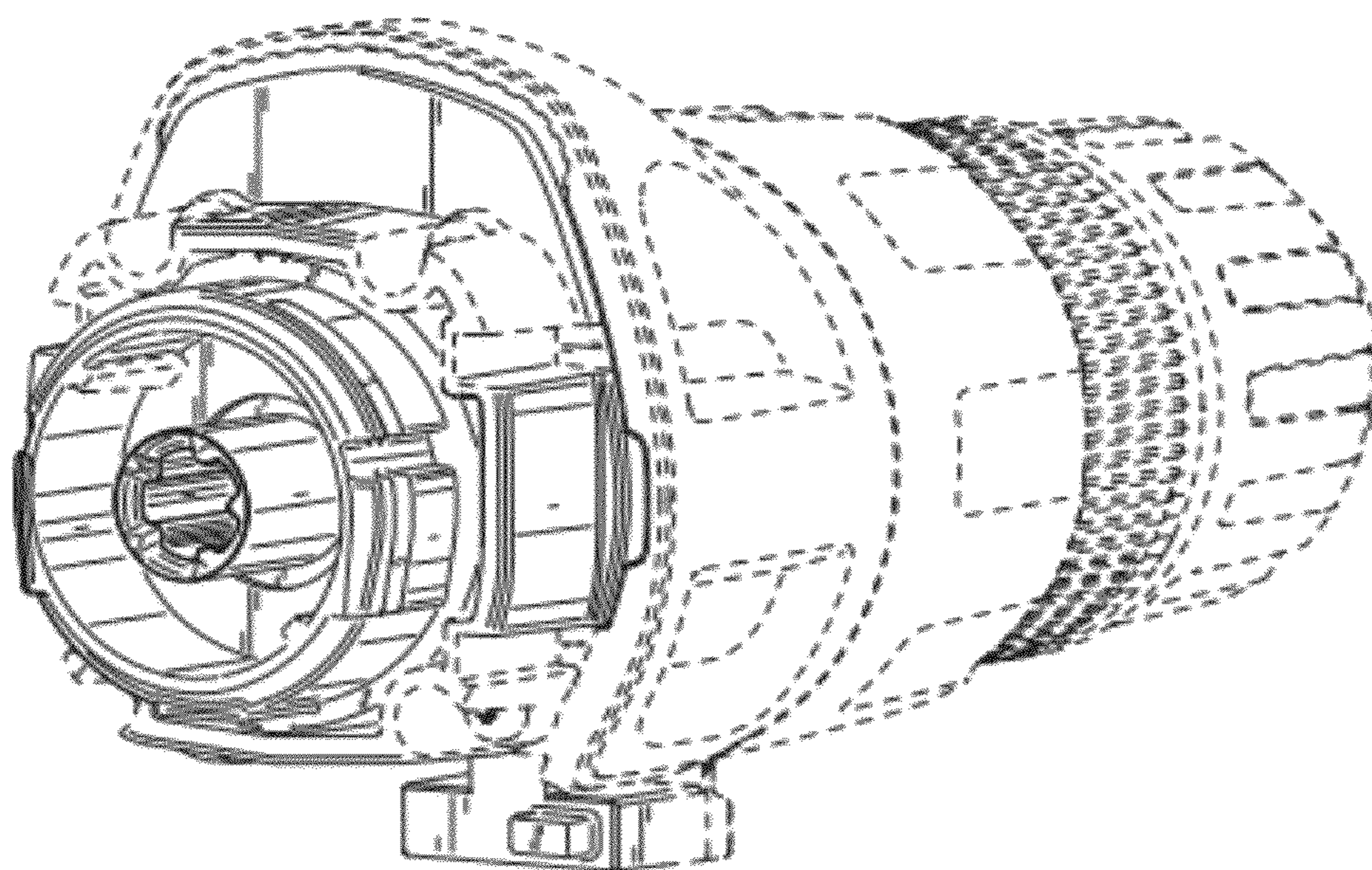


FIG. 1

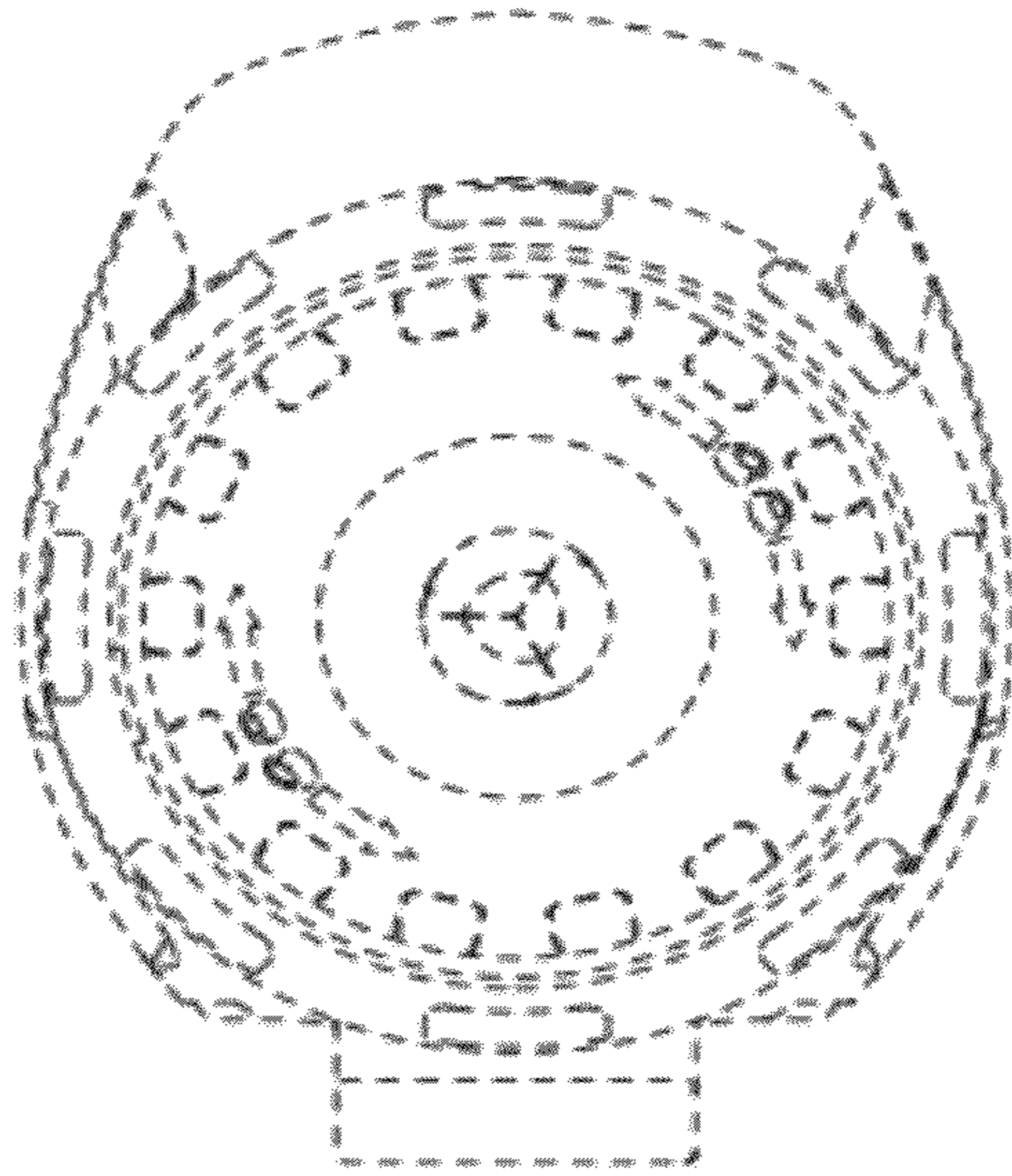


FIG. 2

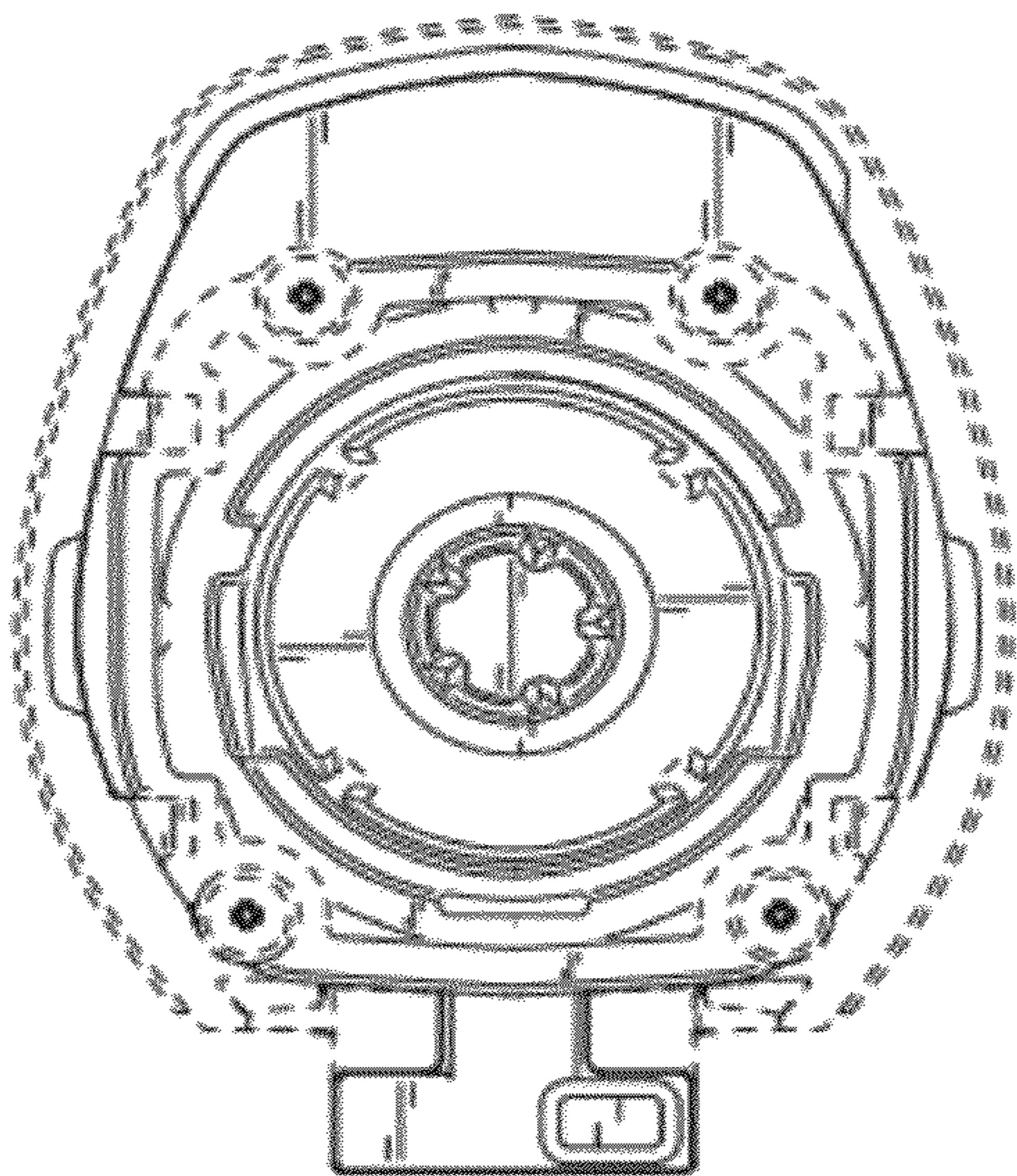


FIG. 3

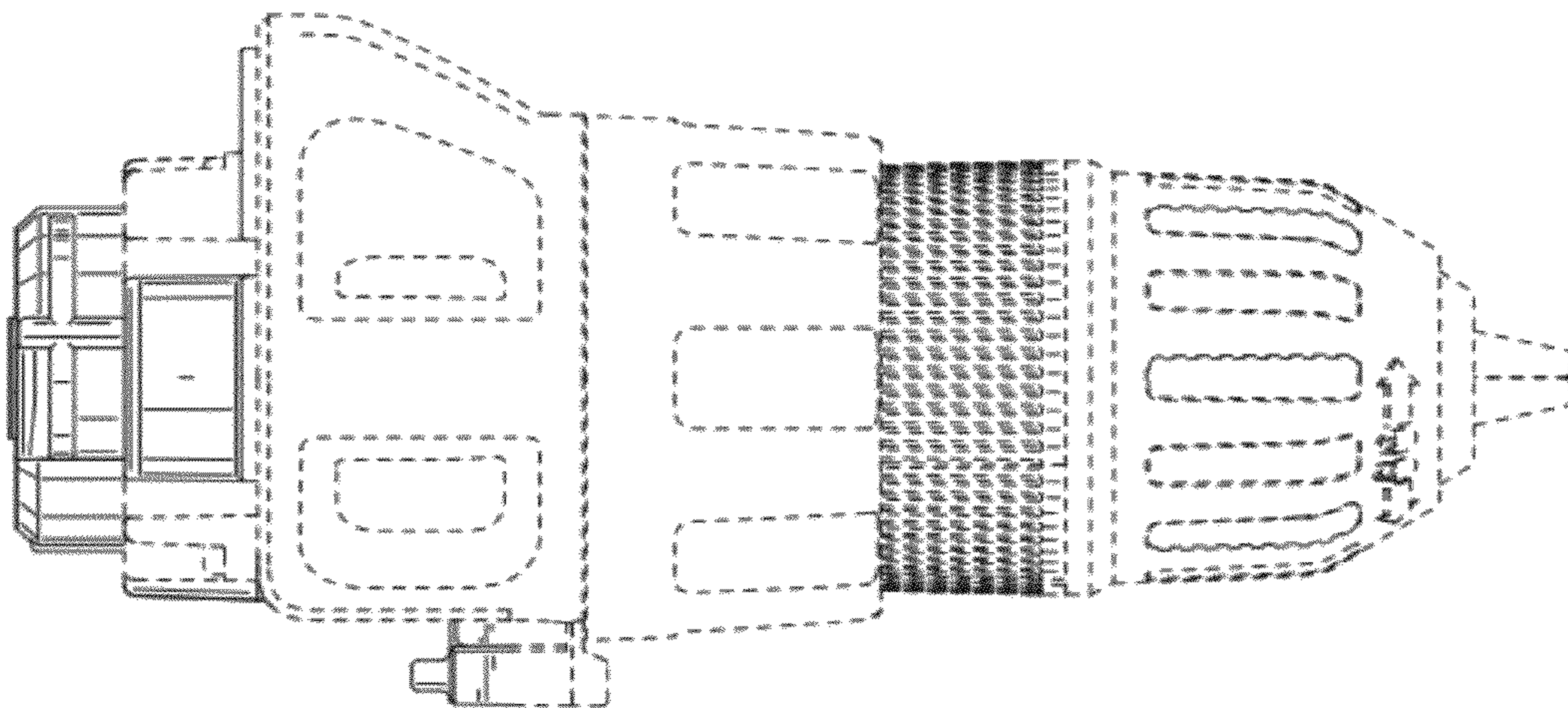


FIG. 4

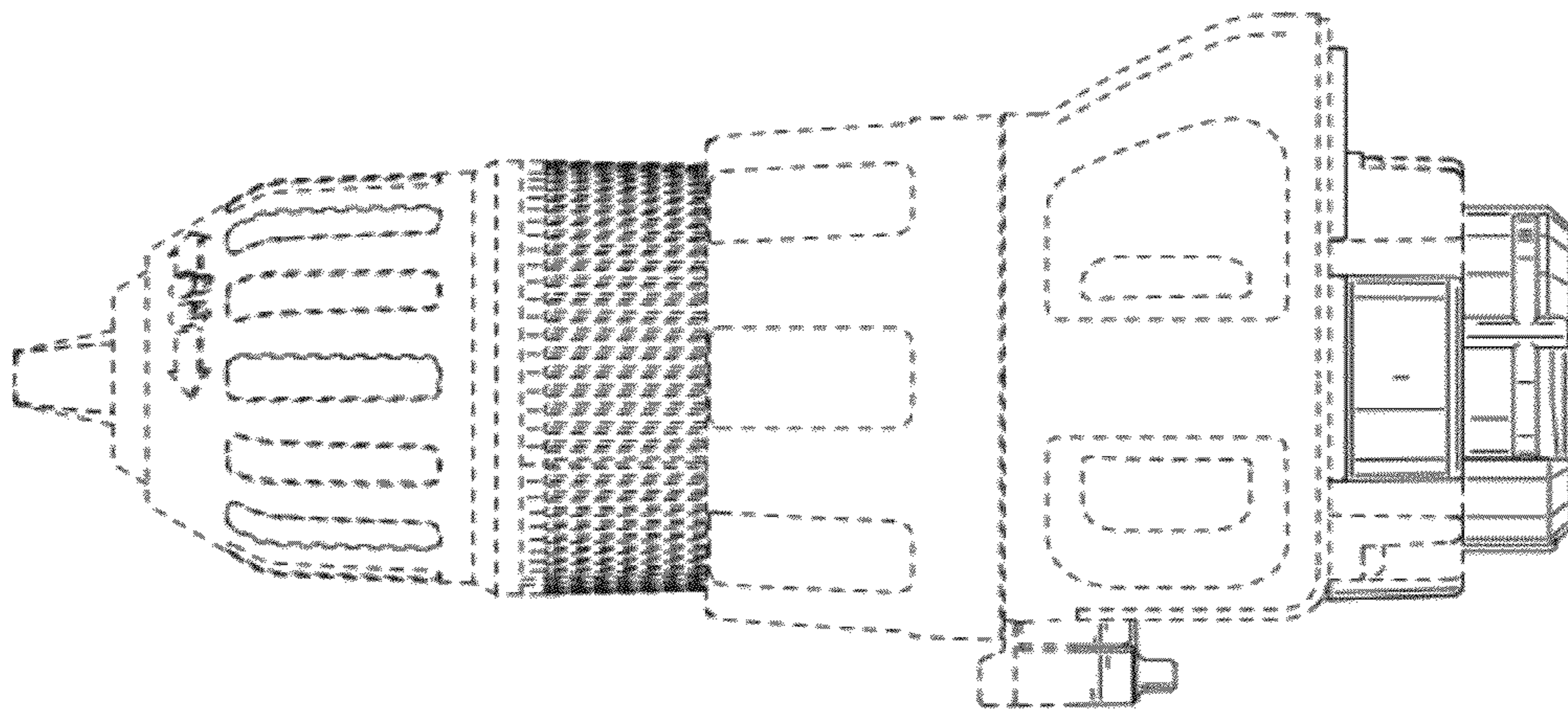


FIG. 5

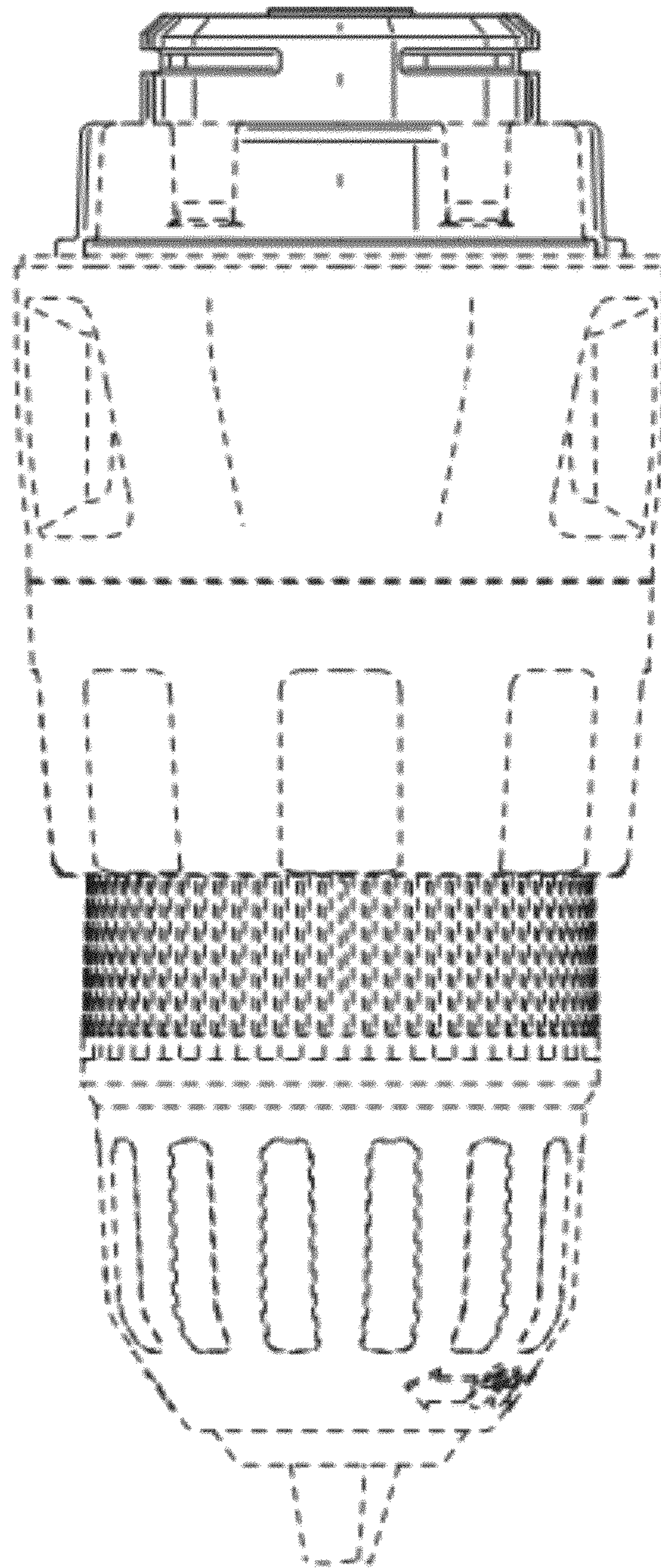


FIG. 6

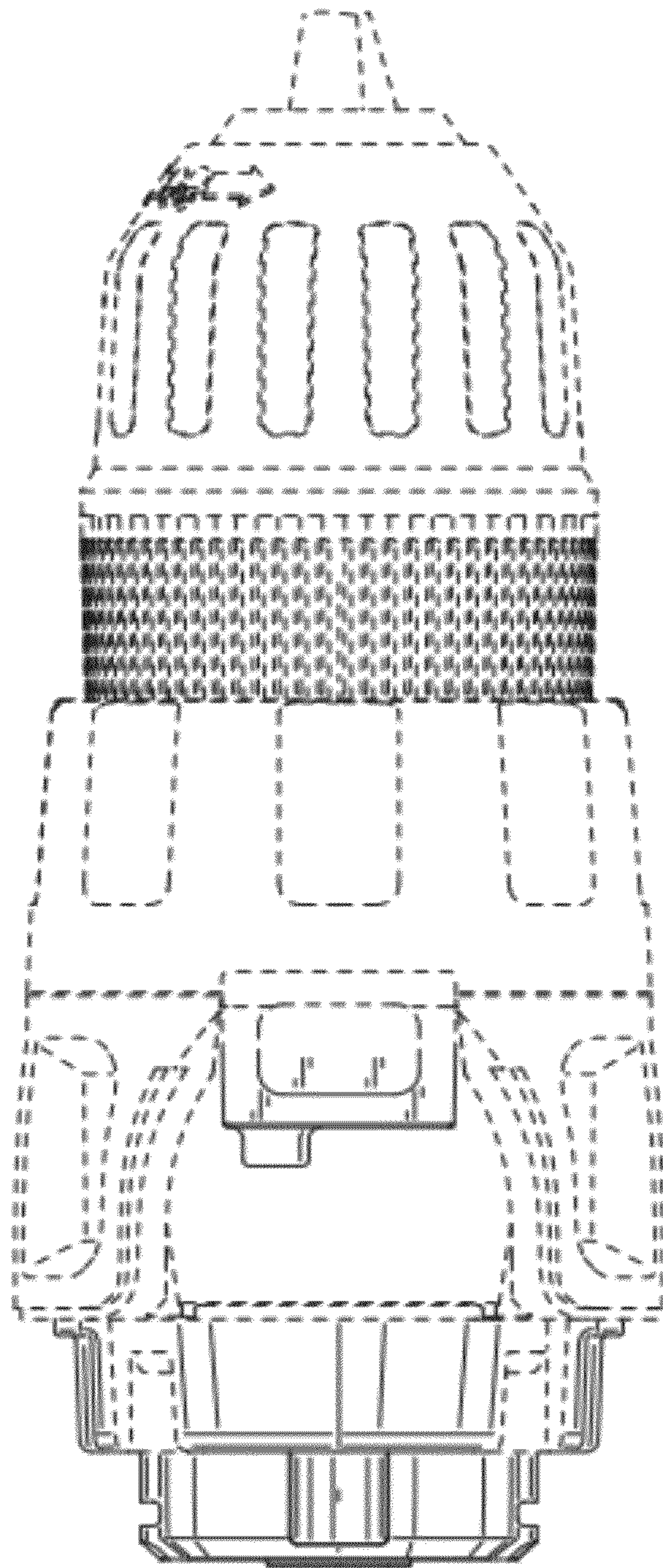


FIG. 7