



US00D665644S

(12) **United States Design Patent**
McRoberts et al.

(10) **Patent No.:** **US D665,644 S**

(45) **Date of Patent:** **** Aug. 21, 2012**

(54) **POWER TOOL ATTACHMENT HEAD**

(75) Inventors: **Jason McRoberts**, Windsor, PA (US);
Steven McClaskey, North Las Vegas,
NV (US); **Thomas W. Murray**,
Baltimore, MD (US)

(73) Assignee: **Black & Decker Inc.**, Newark, DE (US)

(**) Term: **14 Years**

(21) Appl. No.: **29/406,315**

(22) Filed: **Nov. 11, 2011**

(51) **LOC (9) Cl.** **08-05**

(52) **U.S. Cl.** **D8/70**

(58) **Field of Classification Search** D8/70;
7/158; 29/453, 525, 560; 30/500, DIG. 1;
173/29, 170, 171, 216, 217; 200/43.16, 20.01,
200/61.58 R, 334; 310/50; 408/4, 20, 22,
408/31; 451/334, 363, 415

See application file for complete search history.

(56) **References Cited**

U.S. PATENT DOCUMENTS

D420,267	S *	2/2000	Robson	D8/70
6,153,838	A	11/2000	Wadge		
6,170,579	B1	1/2001	Wadge		
6,176,322	B1	1/2001	Wadge		
6,206,107	B1	3/2001	Wadge		
6,263,980	B1	7/2001	Wadge		
D447,037	S *	8/2001	Netzler	D8/70
D447,038	S *	8/2001	Netzler	D8/70
6,286,611	B1	9/2001	Bone		

6,553,642	B2	4/2003	Drissen		
6,634,439	B2	10/2003	Driessen		
6,641,467	B1	11/2003	Robson et al.		
6,675,911	B2	1/2004	Driessen		
D587,978	S *	3/2009	Aglassinger	D8/70
D626,395	S *	11/2010	Lau et al.	D8/70
D627,204	S *	11/2010	Harrison et al.	D8/70

* cited by examiner

Primary Examiner — Antoine D Davis

(74) *Attorney, Agent, or Firm* — Stephen R. Valancius

(57) **CLAIM**

The ornamental design for a power tool attachment head, as shown and described.

DESCRIPTION

FIG. 1 is a perspective view of a power tool attachment head according to the present invention;

FIG. 2 is a front view of the power tool attachment head of FIG. 1;

FIG. 3 is a back view of the power tool attachment head of FIG. 1;

FIG. 4 is a right side view of the power tool attachment head of FIG. 1;

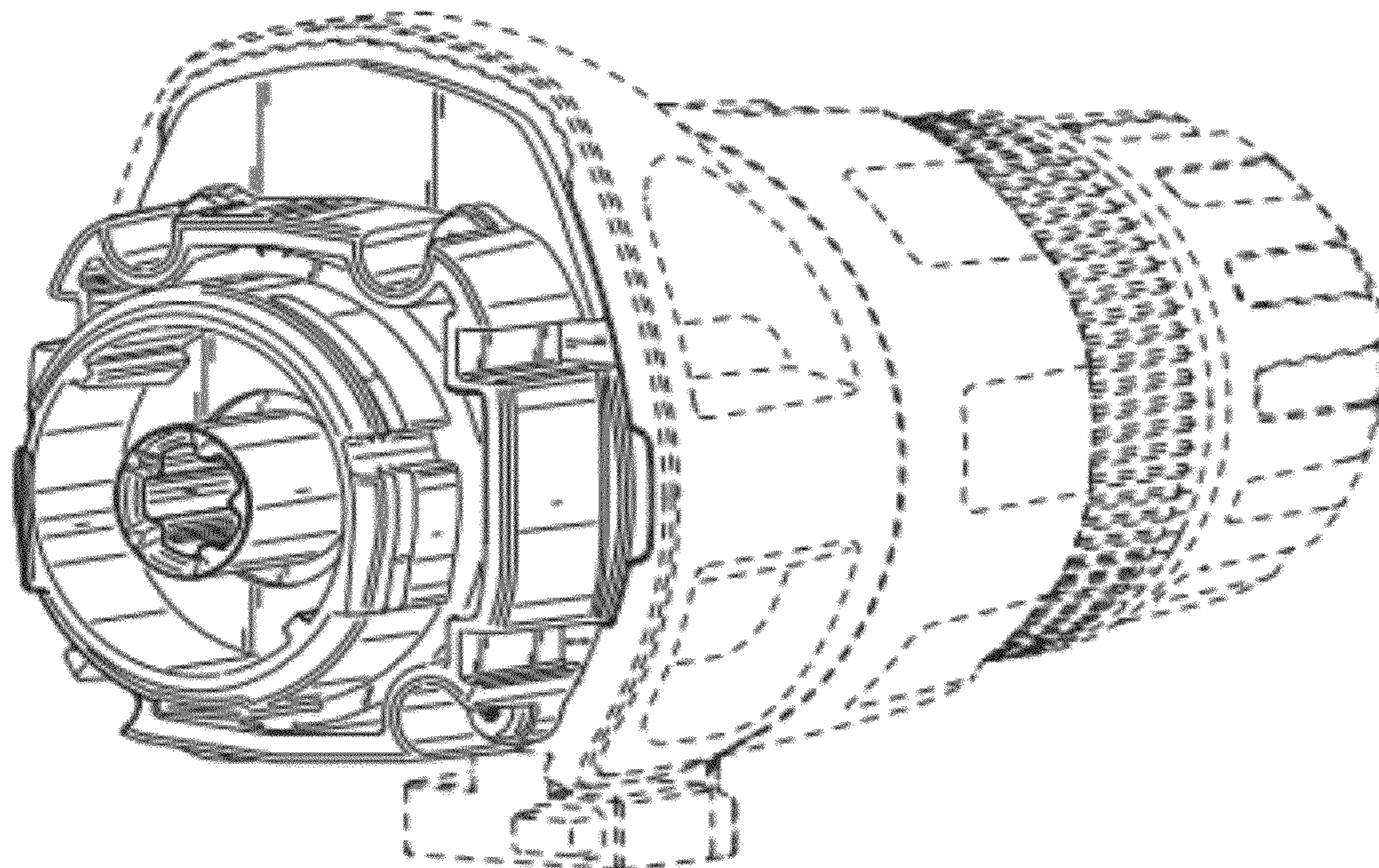
FIG. 5 is a left side view of the power tool attachment head of FIG. 1;

FIG. 6 is a top view of the power tool attachment head of FIG. 1; and,

FIG. 7 is a bottom view of the power tool attachment head of FIG. 1.

The broken lines in the figures illustrate features that form no part of the claimed design.

1 Claim, 6 Drawing Sheets



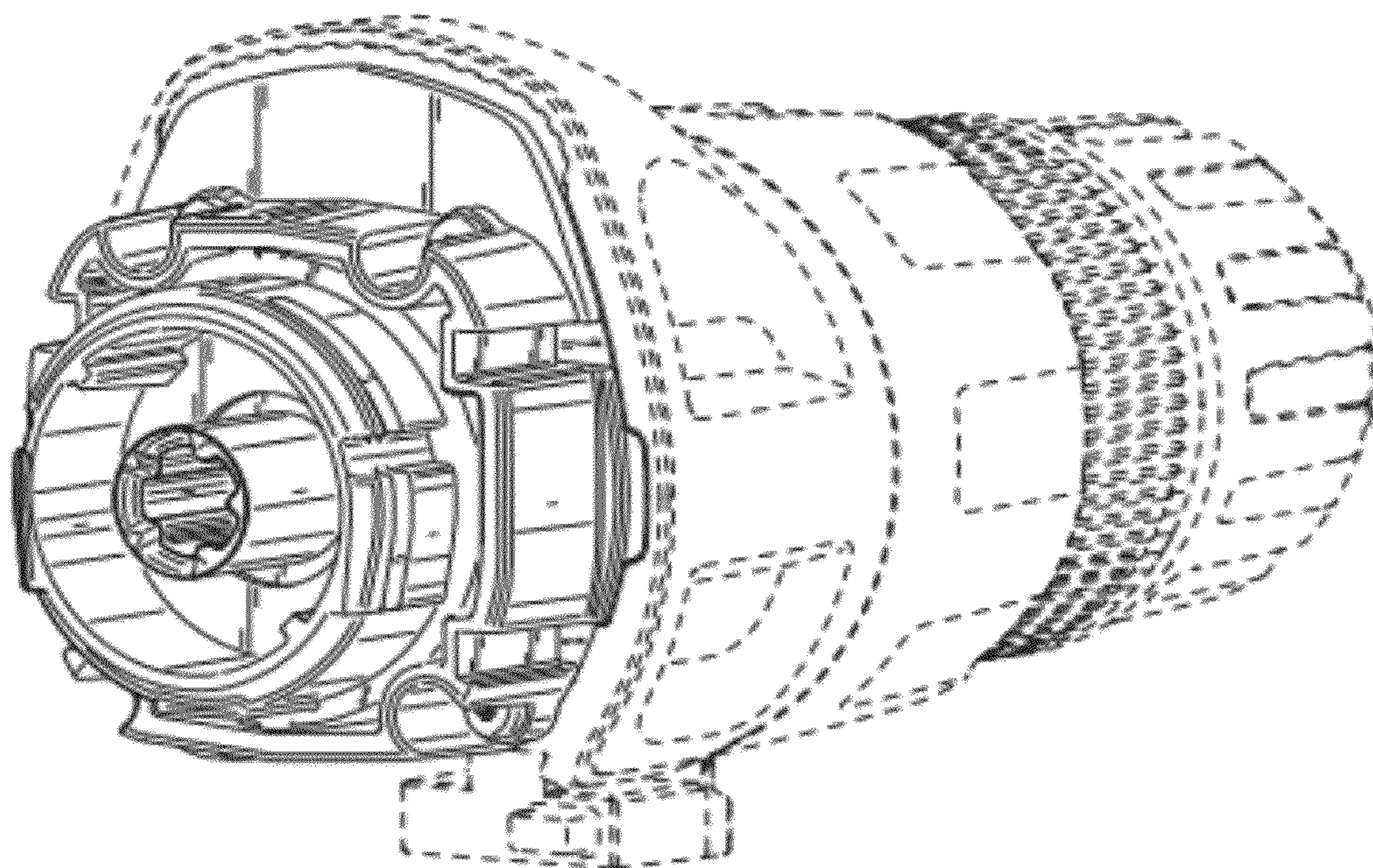


FIG. 1

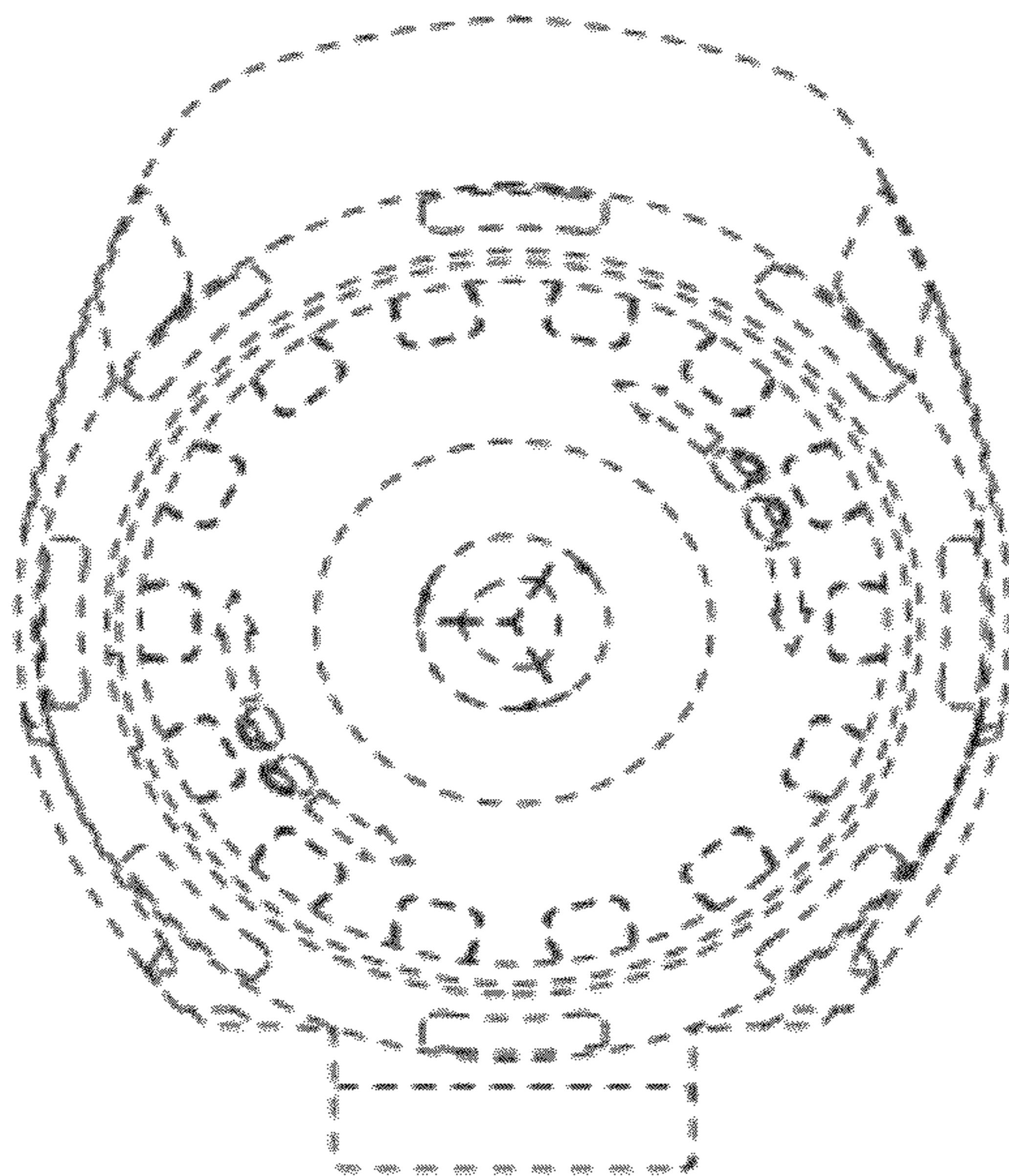


FIG. 2

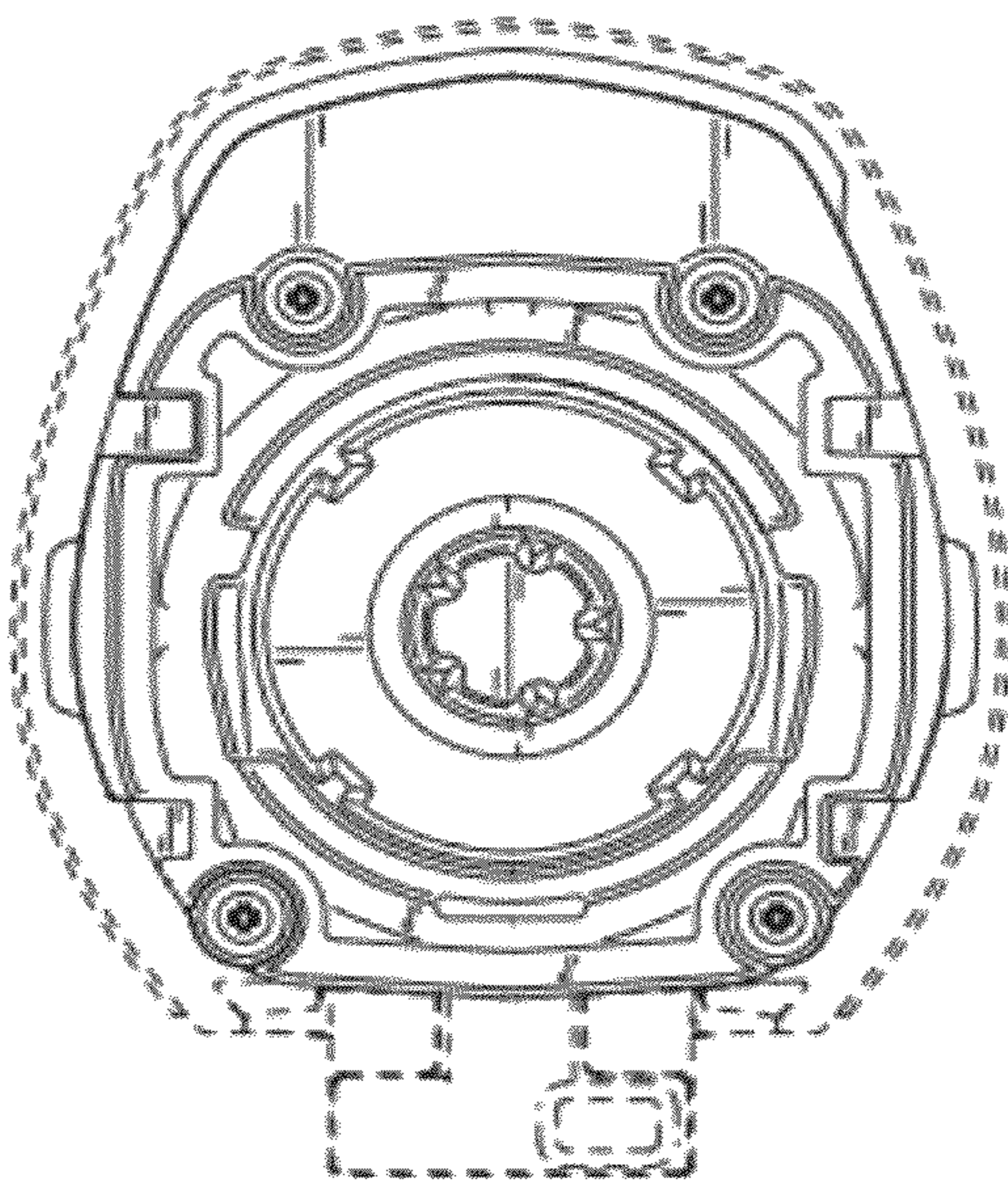


FIG. 3

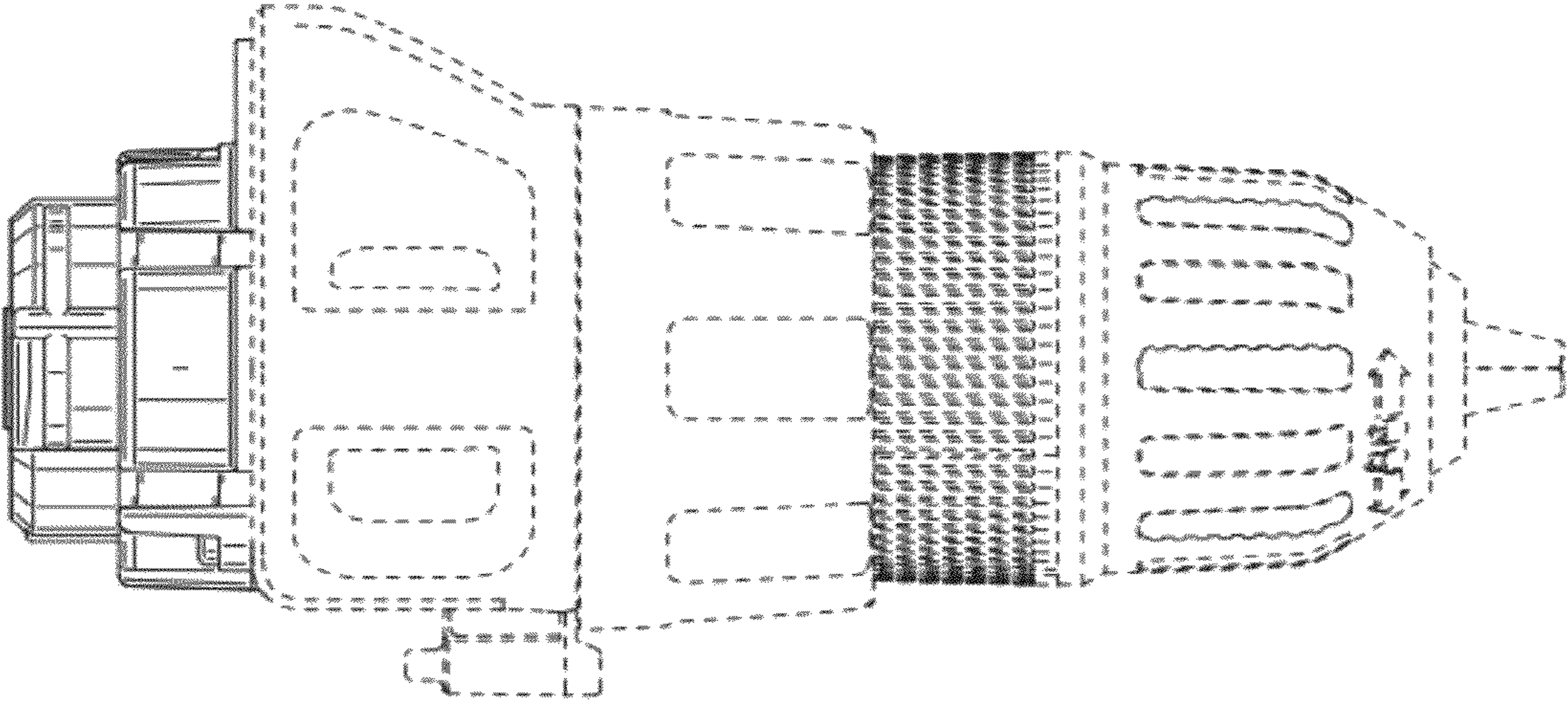


FIG. 4

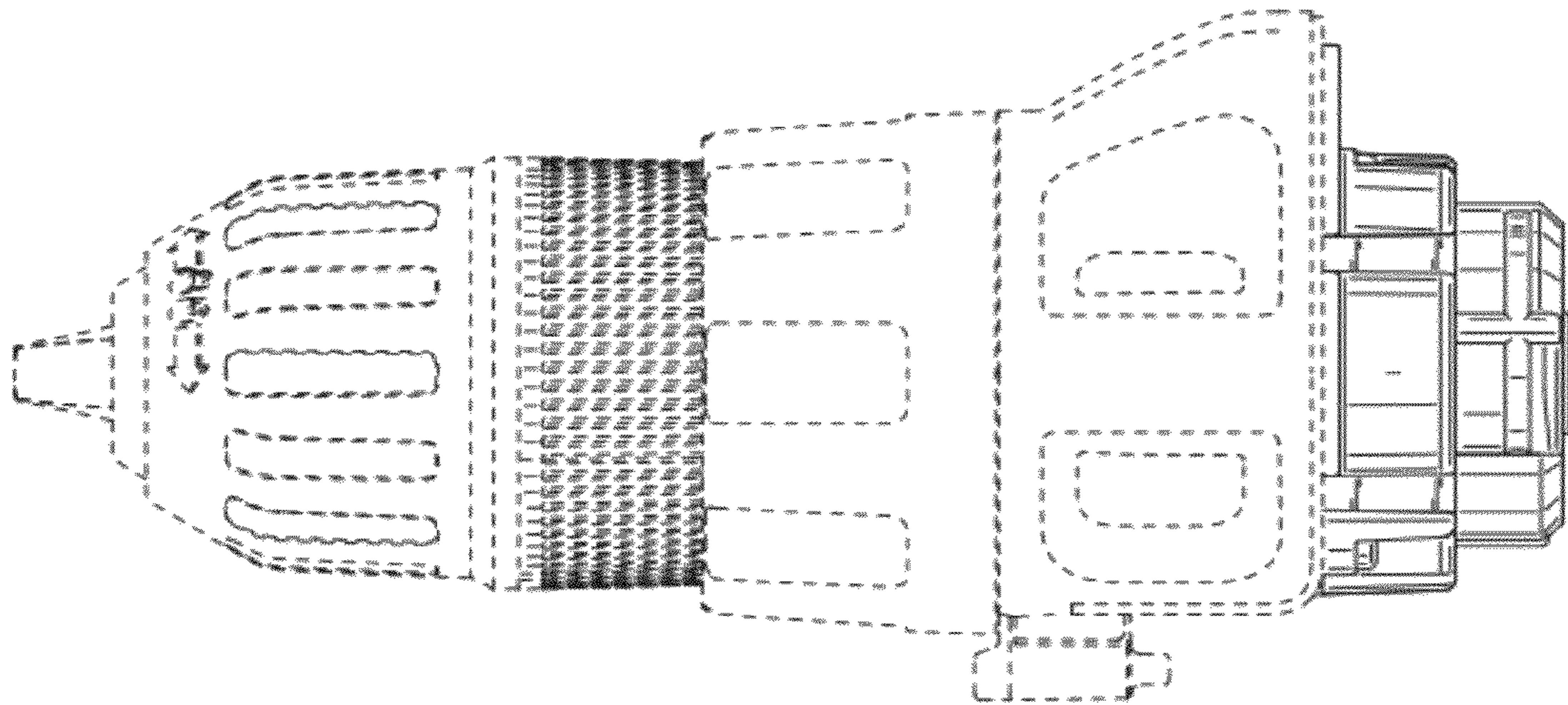


FIG. 5

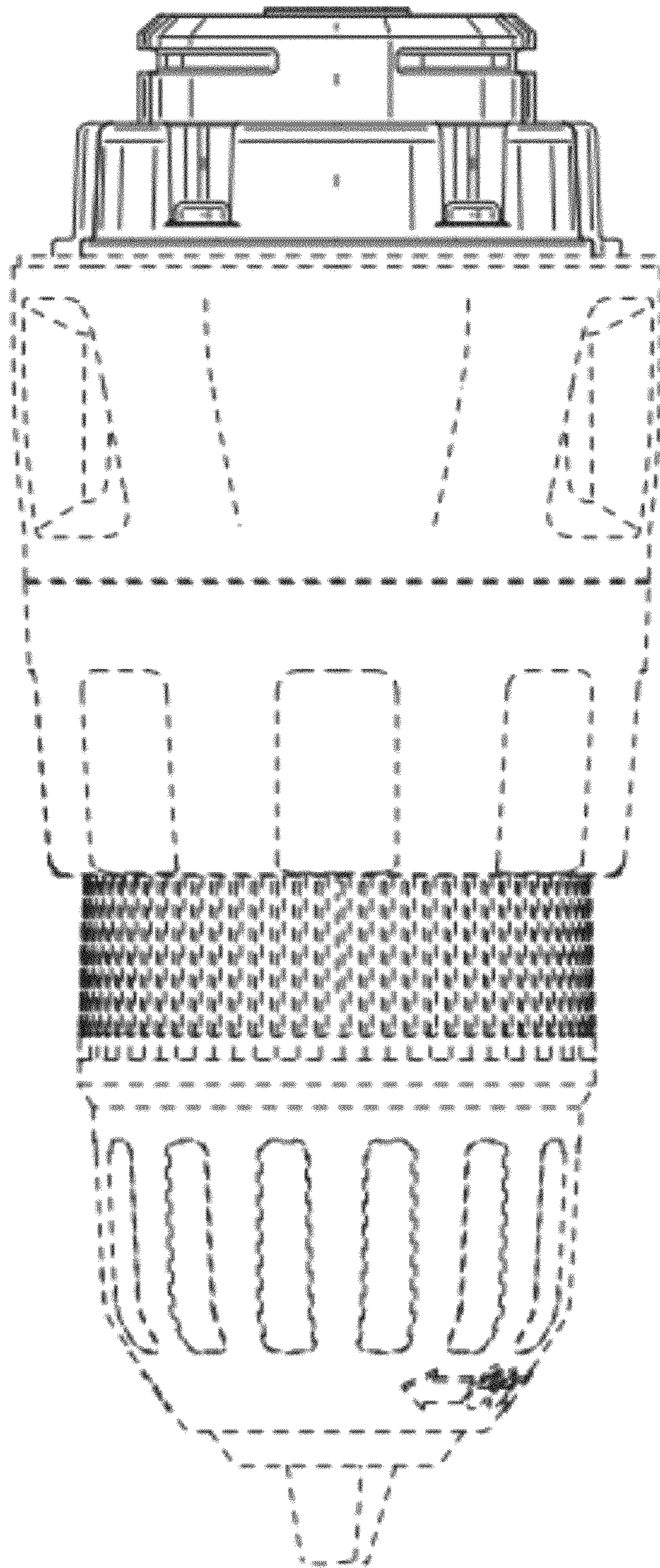


FIG. 6

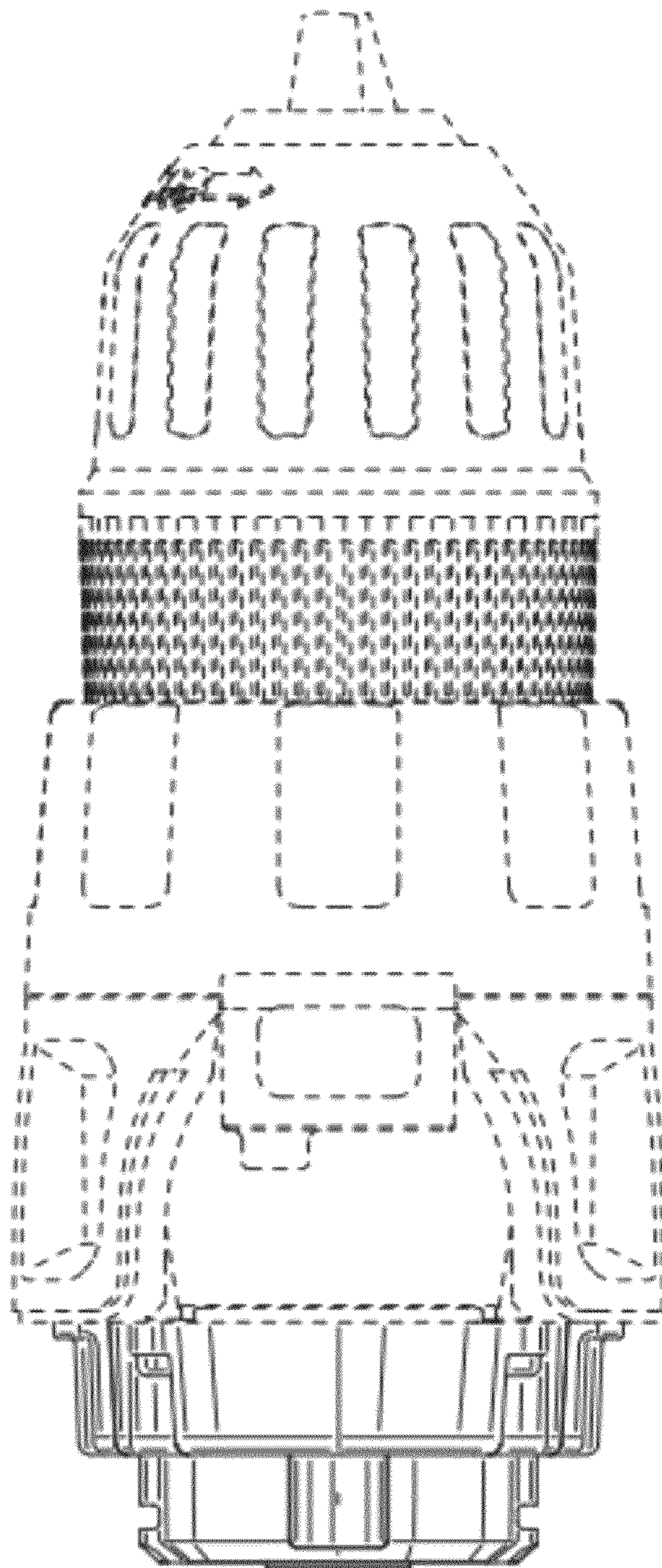


FIG. 7