

US00D665643S

(12) **United States Design Patent**
Brinton

(10) **Patent No.:** **US D665,643 S**

(45) **Date of Patent:** **** Aug. 21, 2012**

(54) **PAINT CAN SHAKING SAW ATTACHMENT**

(76) Inventor: **Danny G. Brinton**, Cove, OR (US)

(**) Term: **14 Years**

(21) Appl. No.: **29/387,499**

(22) Filed: **Mar. 14, 2011**

(51) **LOC (9) Cl.** **08-05**

(52) **U.S. Cl.** **D8/70**

(58) **Field of Classification Search** D8/70;
366/130, 200, 212, 213, 605; 451/344, 415,
451/426, 427

See application file for complete search history.

(56) **References Cited**

U.S. PATENT DOCUMENTS

D108,932 S	3/1938	De Foe	
3,330,537 A	7/1967	Wason	
4,318,622 A	3/1982	Sterrenberg	
D270,032 S *	8/1983	Mayo	D8/70
4,398,829 A	8/1983	Shick	
4,420,262 A *	12/1983	Sterrenberg	366/130
D292,803 S	11/1987	Powell	
5,098,193 A	3/1992	Christensen et al.	
5,439,287 A	8/1995	Roepke, Sr.	
5,897,205 A	4/1999	Sinsteden	
D526,176 S	8/2006	Lopano et al.	

D630,484 S *	1/2011	Ruth	D8/70
D630,485 S *	1/2011	Ruth	D8/70
D630,922 S *	1/2011	Ruth	D8/70
2009/0161479 A1	6/2009	Blair	

* cited by examiner

Primary Examiner — Antoine D Davis

(74) *Attorney, Agent, or Firm* — QuickPatents, Inc.; Kevin Prince

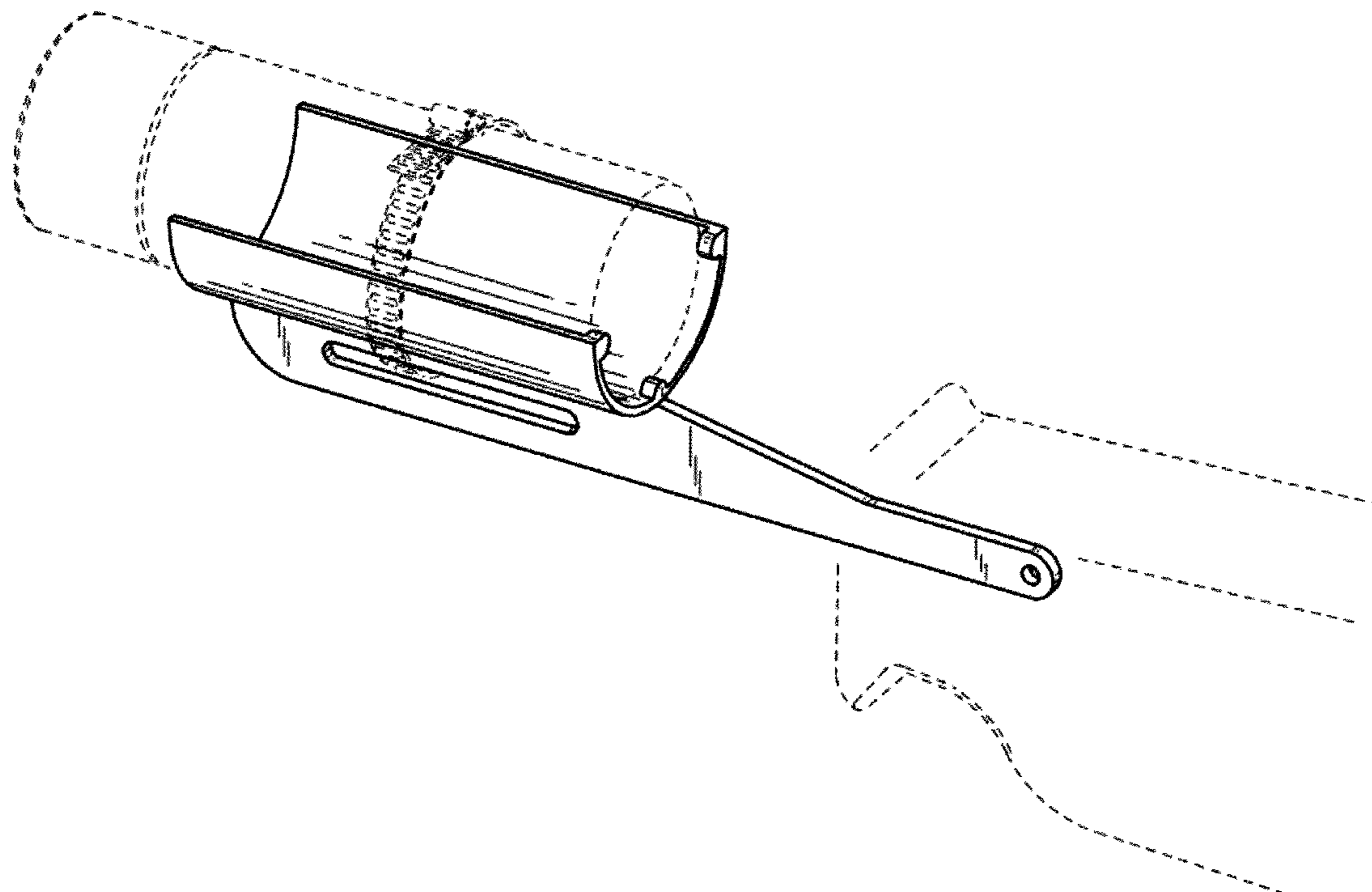
(57) **CLAIM**

The ornamental design for a paint can shaking saw attachment, as shown and described.

DESCRIPTION

FIG. 1 is a perspective view of a paint can shaking saw attachment, showing my new design;
 FIG. 2 is a rear elevational view thereof;
 FIG. 3 is a left-side elevational view thereof, the right-side elevational view being a mirror image thereof;
 FIG. 4 is a top plan view thereof;
 FIG. 5 is a right-side elevational view thereof; and,
 FIG. 6 is a left-side elevational view thereof.
 The broken lines showing a paint can, strap and reciprical saw in FIG. 1 depict environmental matter and form no part of the claimed design.

1 Claim, 3 Drawing Sheets



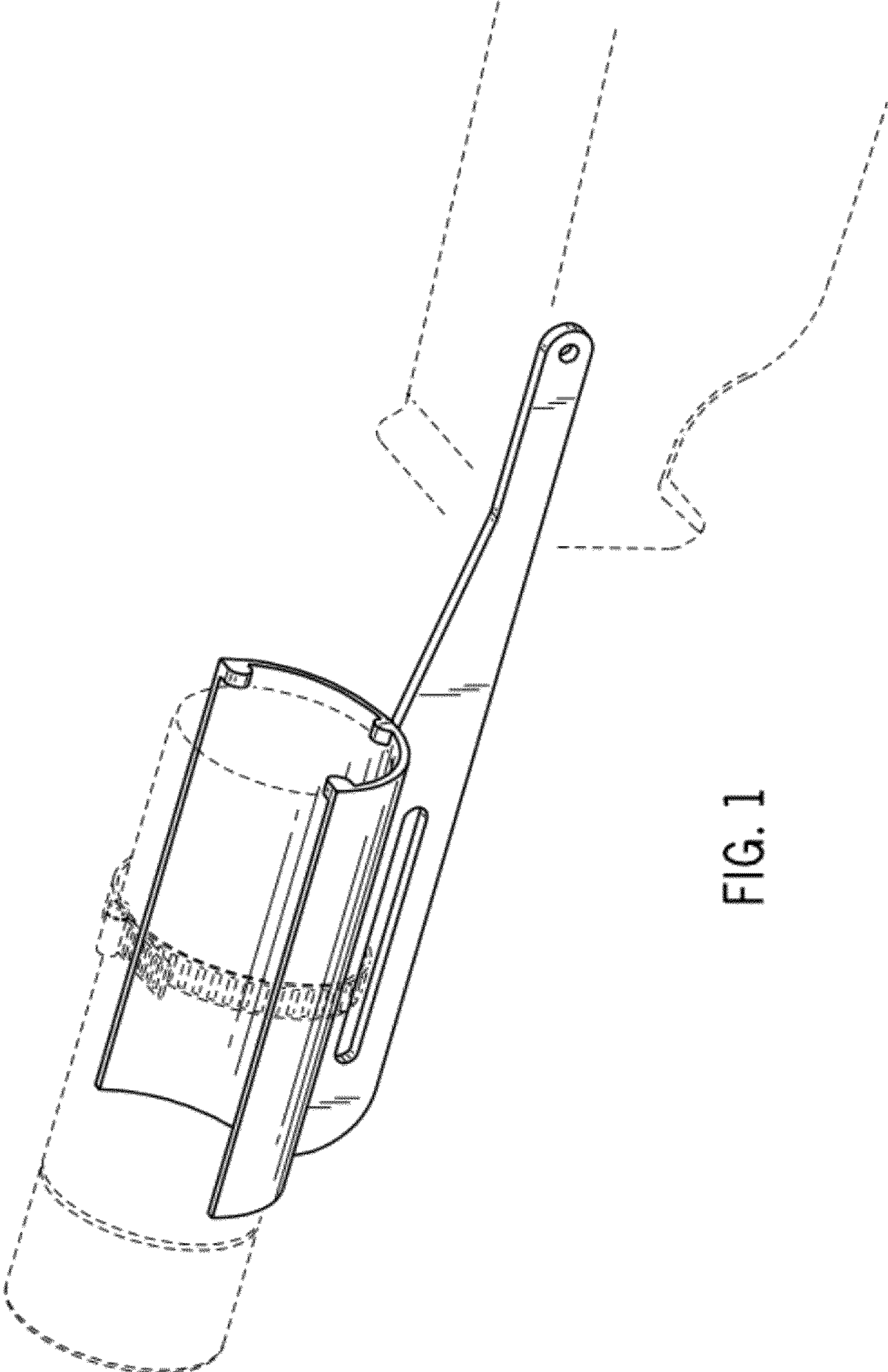


FIG. 1



FIG. 2

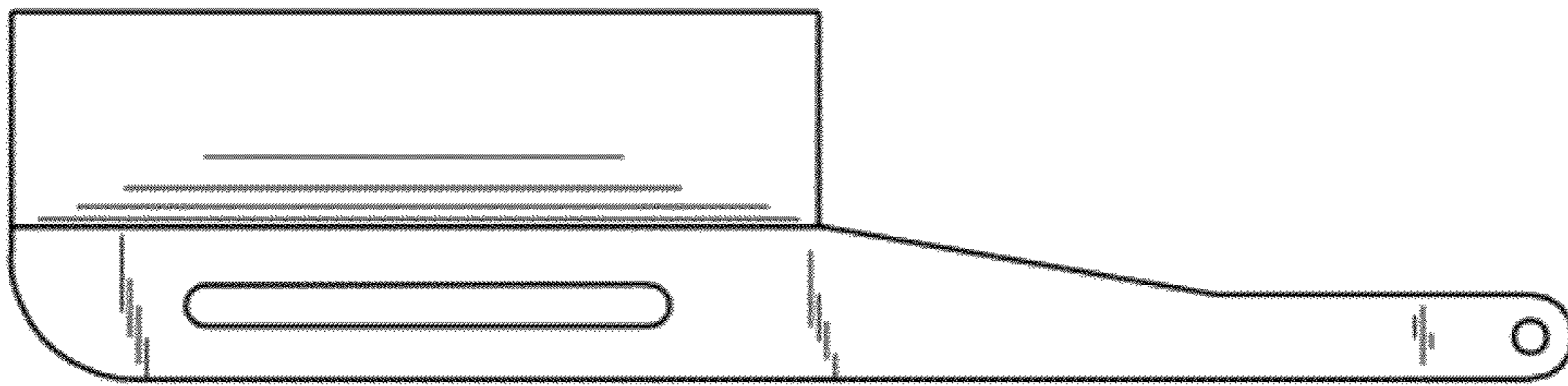


FIG. 3

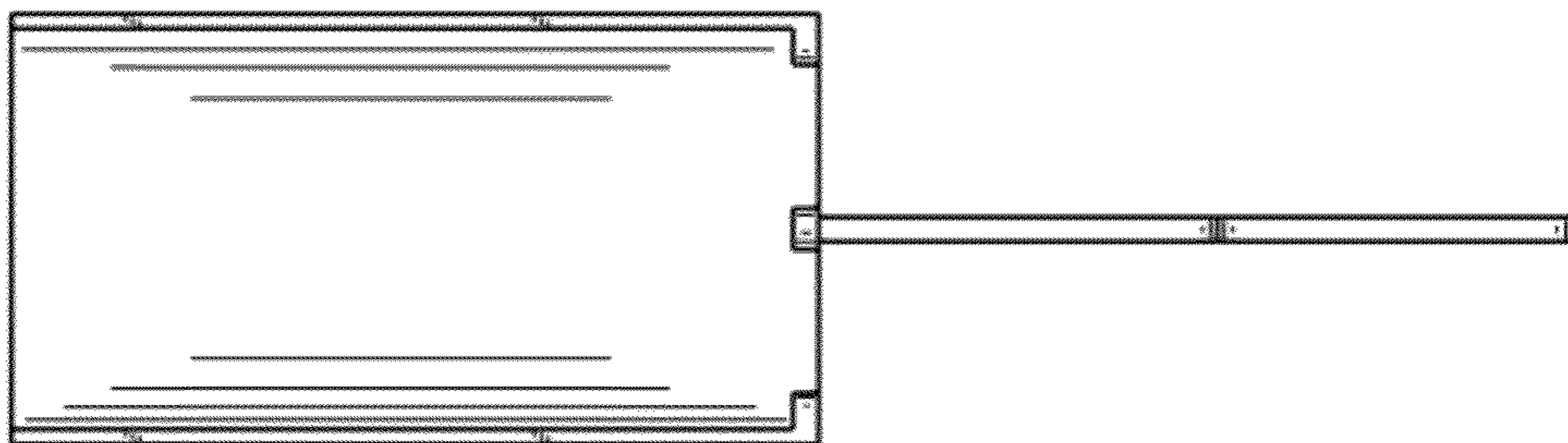


FIG. 4

FIG. 5

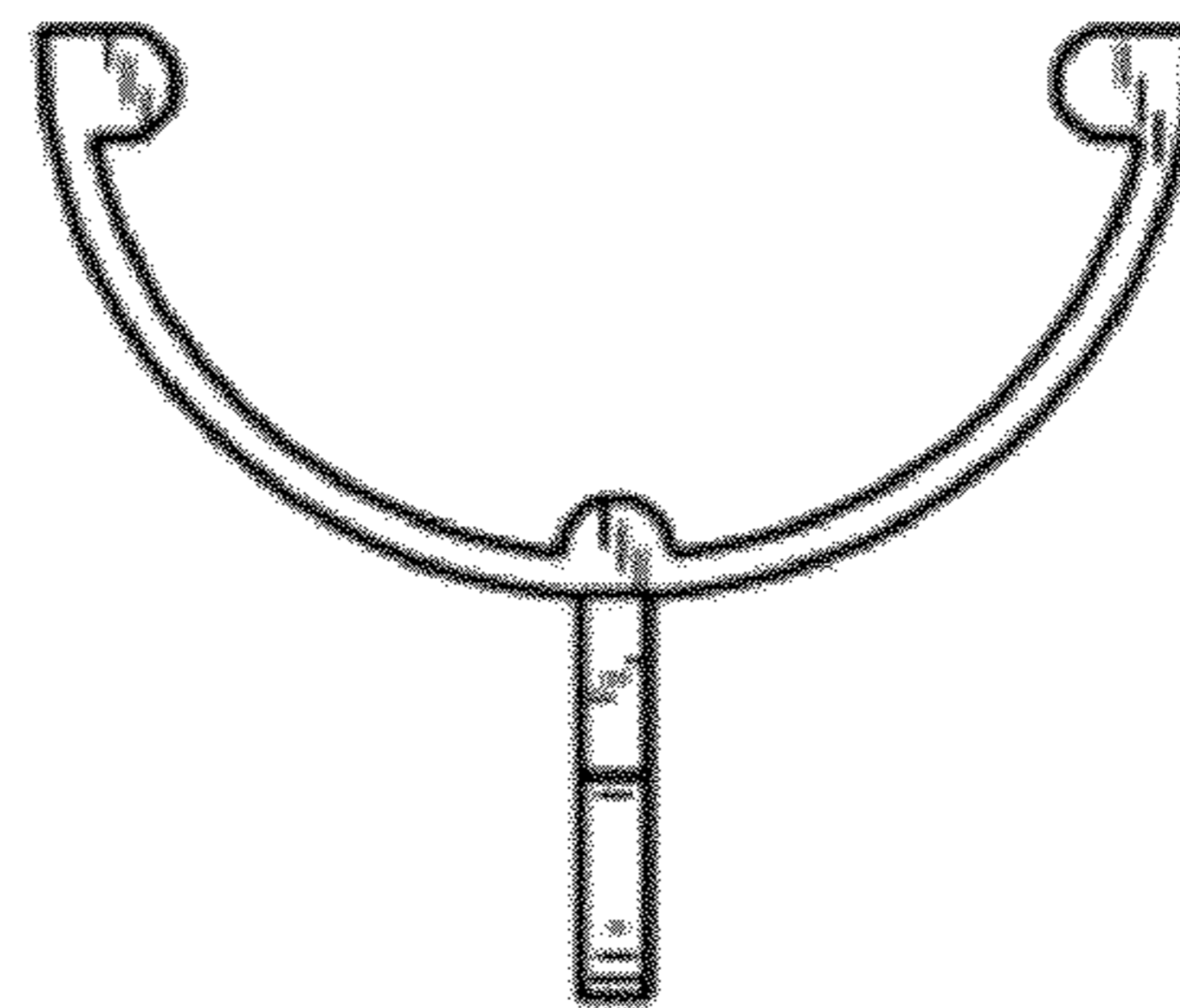


FIG. 6

